



US00D410099S

# United States Patent [19] Lam

[11] Patent Number: Des. 410,099

[45] Date of Patent: \*\* May 18, 1999

[54] COMBINED RADIO AND TORCH

D. 378,819 4/1997 Yuen ..... D26/38  
D. 387,348 12/1997 Lam et al. .... D26/38  
D. 394,911 6/1998 Yuen ..... D26/38

[75] Inventor: **Yuen-Ming Lam**, Chaiwan, The Hong Kong Special Administrative Region of the People's Republic of China

[73] Assignee: **Goldmaster Development Limited**, Hong Kong, The Hong Kong Special Administrative Region of the People's Republic of China

*Primary Examiner*—Marcus A. Jackson  
*Attorney, Agent, or Firm*—Burns, Doane, Swecker & Mathis, L.L.P.

[\*\*] Term: 14 Years

### [57] CLAIM

The ornamental design for “combined radio and torch,” as shown and described

[21] Appl. No.: 29/095,233

### DESCRIPTION

[22] Filed: Oct. 19, 1998

FIG. 1 is a perspective view of “combined radio & torch” showing my designs;

[51] LOC (6) Cl. .... 26-02

FIG. 2 is a right side view thereof;

[52] U.S. Cl. .... D26/38

FIG. 3 is a top plan view thereof;

[58] Field of Search ..... D14/168, 188, D14/193-198; D26/37-50; 455/344, 347, 350, 351; 362/157, 158, 183-209

FIG. 4 is a left side view thereof;

FIG. 5 is a bottom view thereof;

FIG. 6 is a front view thereof; and,

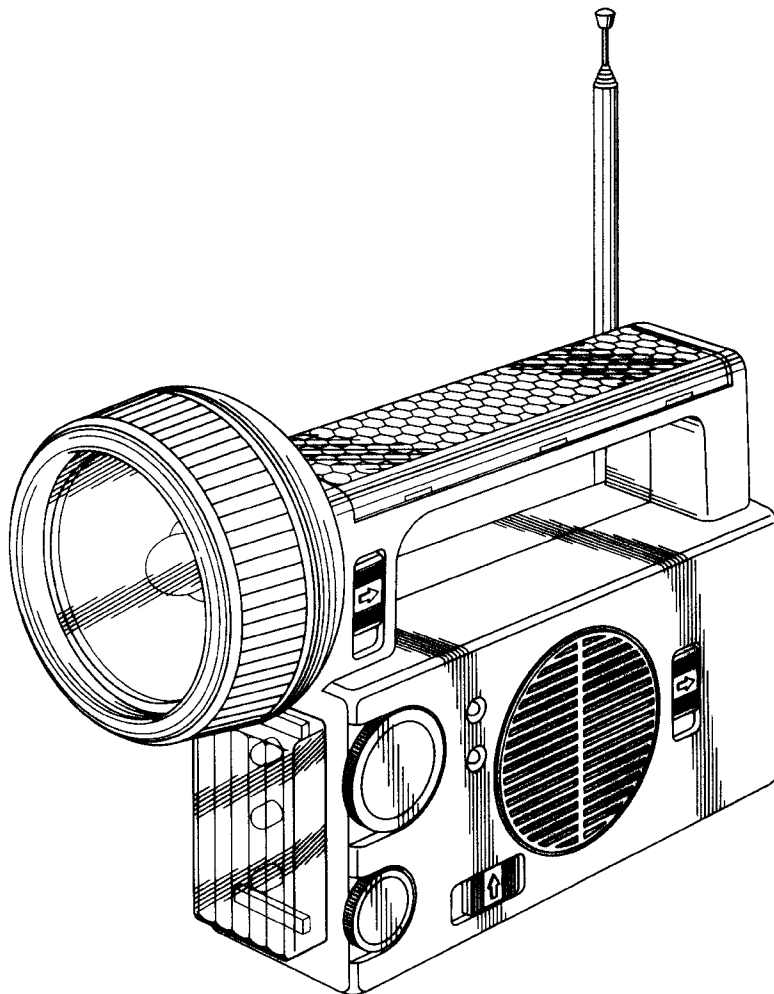
FIG. 7 is a rear view thereof.

### [56] References Cited

#### U.S. PATENT DOCUMENTS

D. 321,262 10/1991 Yuen ..... D26/38

1 Claim, 4 Drawing Sheets



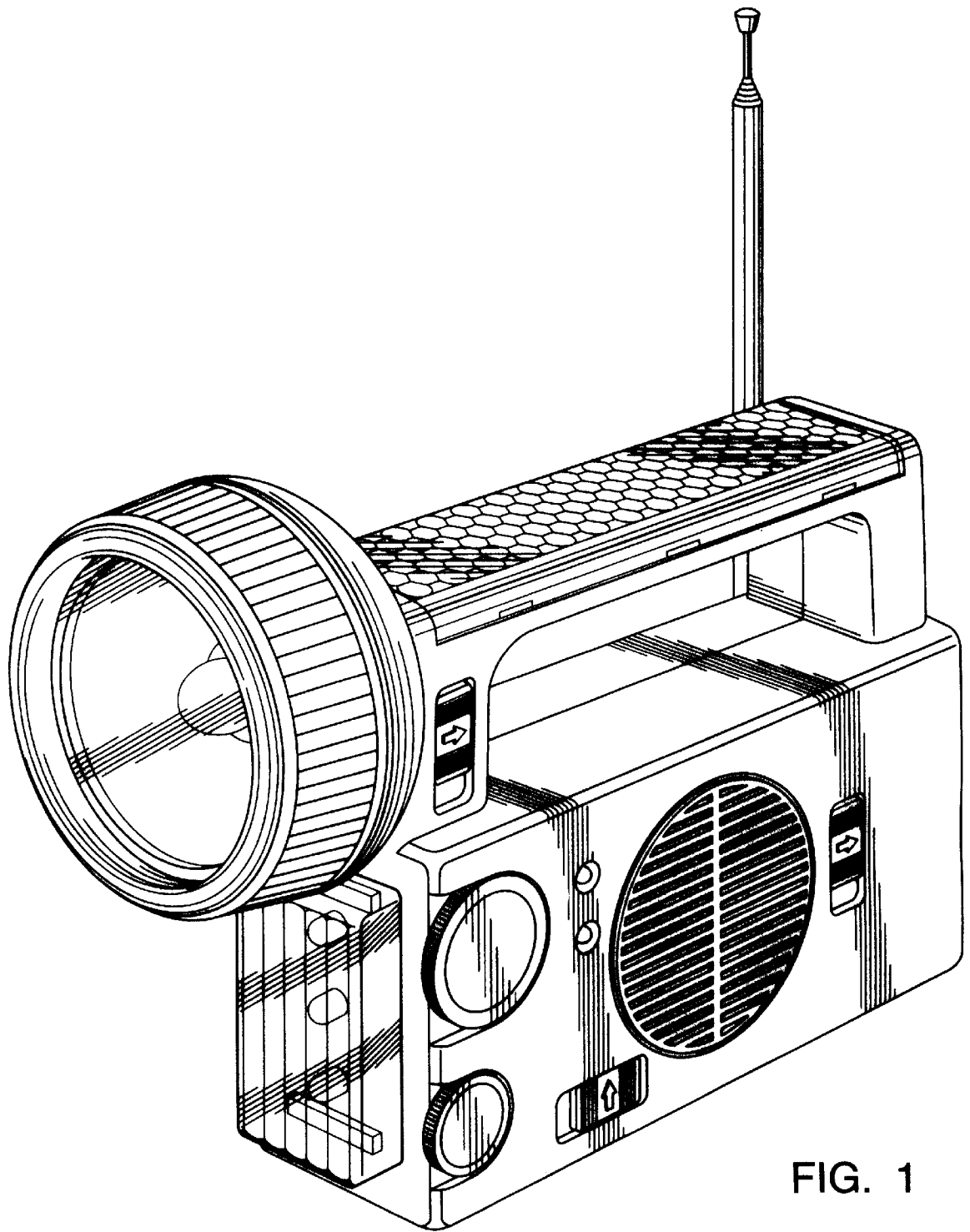


FIG. 1

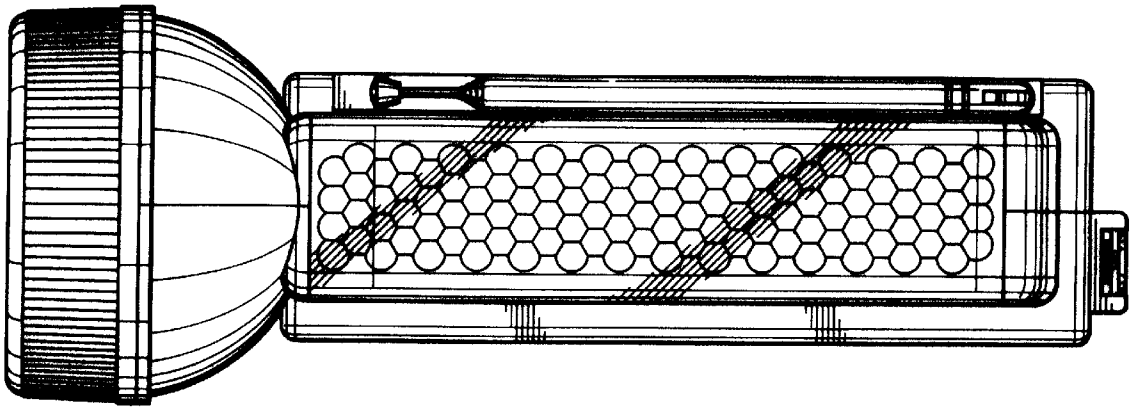


FIG. 3

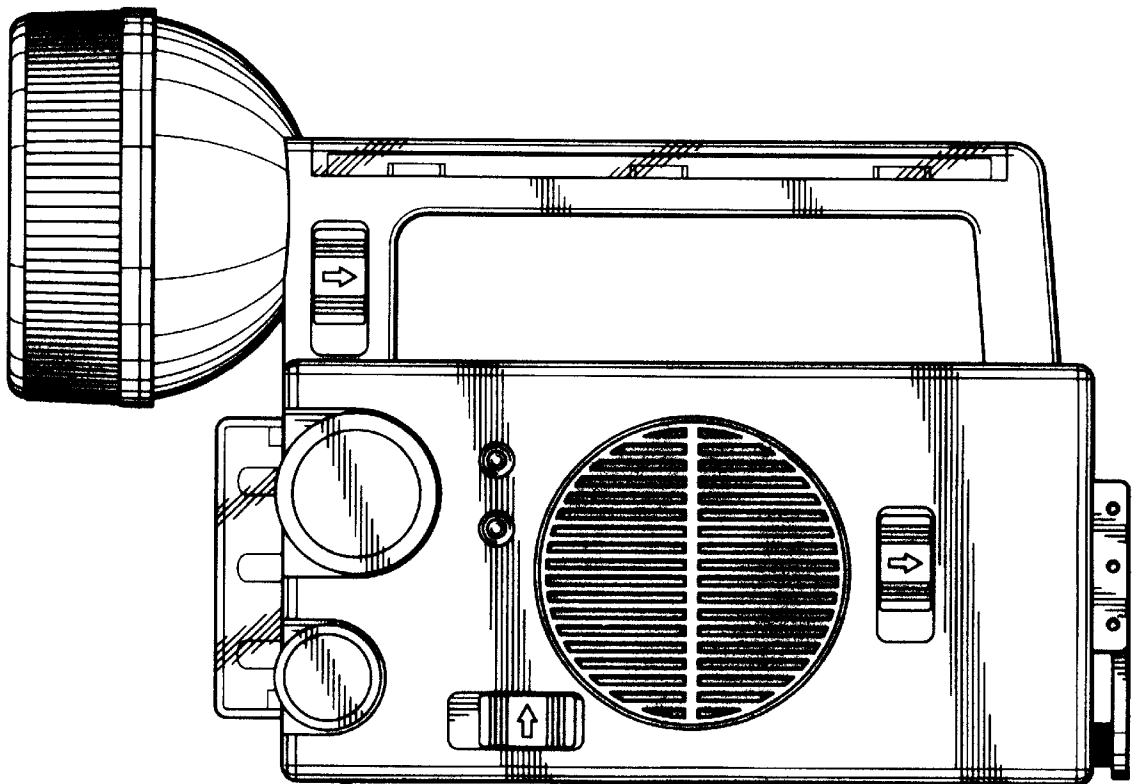


FIG. 2

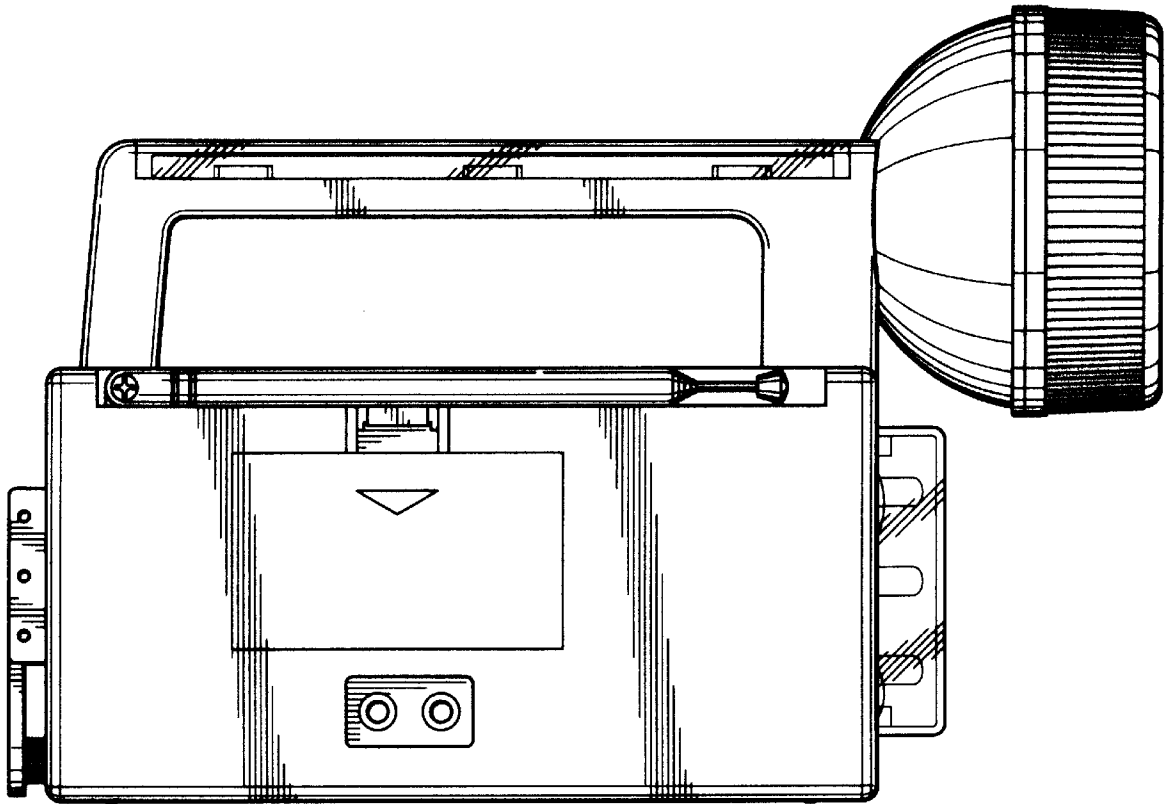


FIG. 4

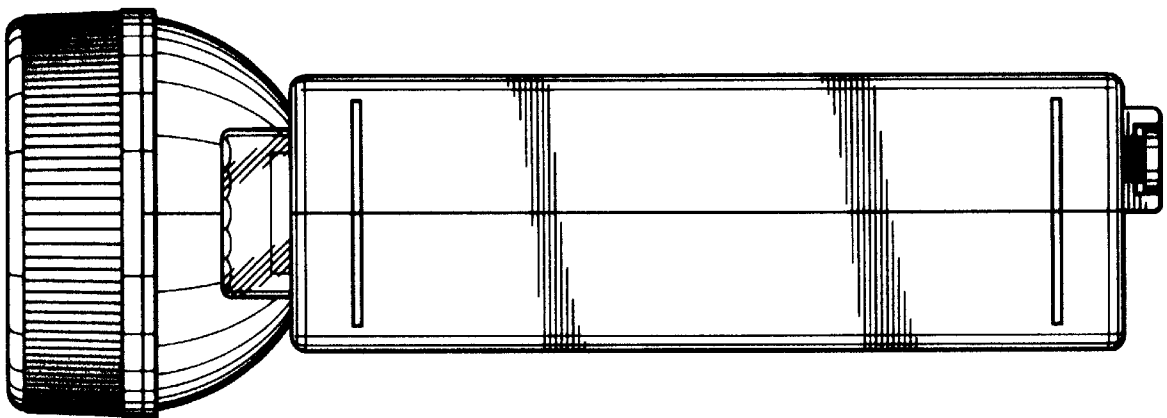


FIG. 5

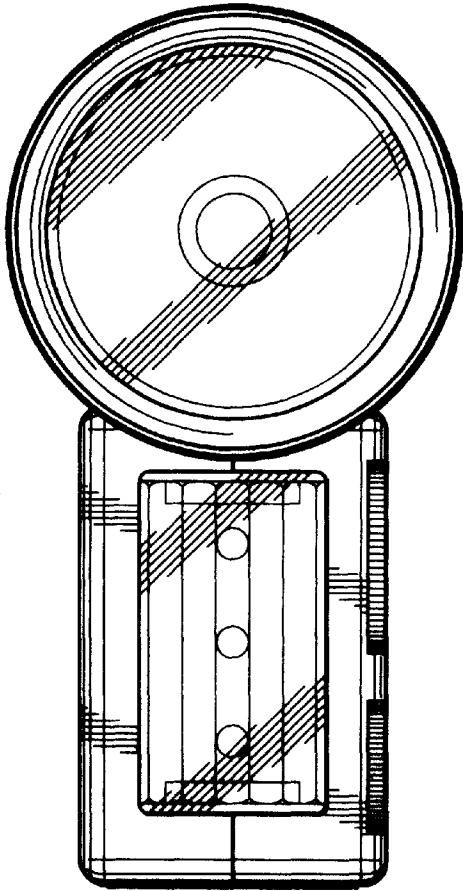


FIG. 6

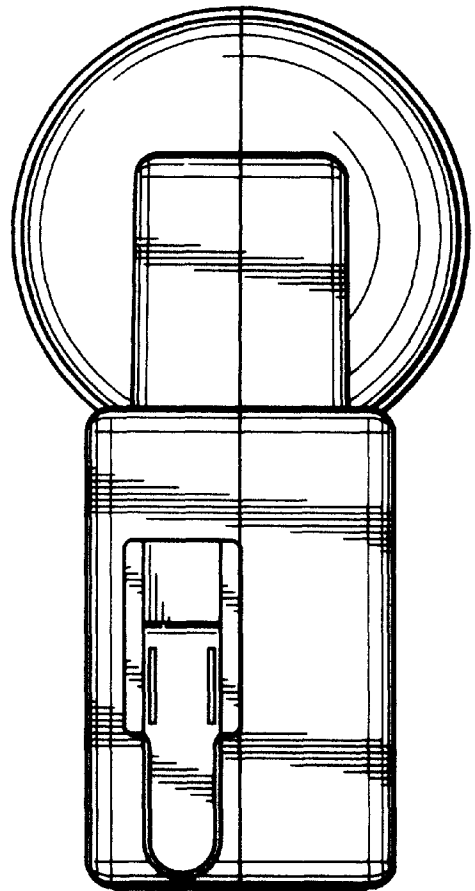


FIG. 7