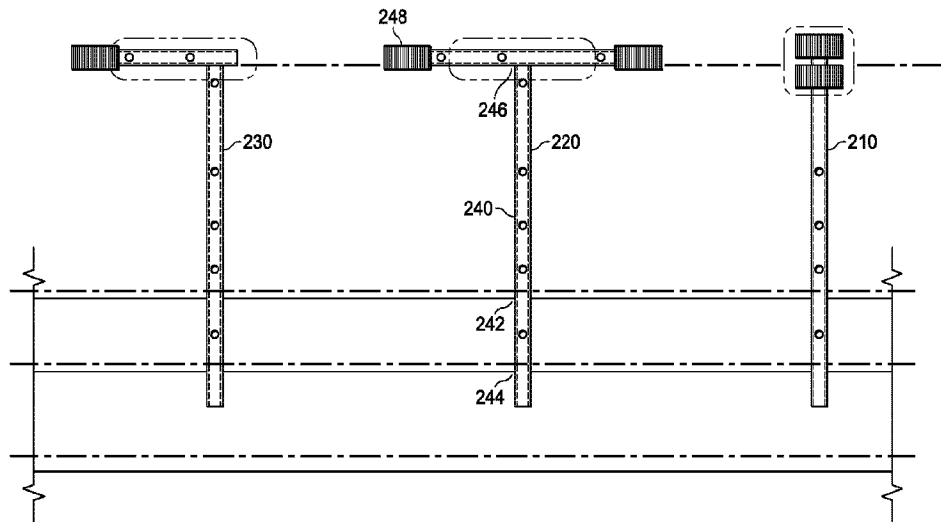




(86) Date de dépôt PCT/PCT Filing Date: 2018/07/19  
 (87) Date publication PCT/PCT Publication Date: 2019/09/19  
 (45) Date de délivrance/Issue Date: 2023/06/13  
 (85) Entrée phase nationale/National Entry: 2019/09/27  
 (86) N° demande PCT/PCT Application No.: US 2018/042795  
 (87) N° publication PCT/PCT Publication No.: 2019/177653  
 (30) Priorités/Priorities: 2018/03/15 (US62/643,663);  
 2018/06/14 (US16/009,032)

(51) Cl.Int./Int.Cl. *F21S 8/08* (2006.01),  
*F21S 9/04* (2006.01), *F21V 21/00* (2006.01),  
*F21V 21/116* (2006.01), *F21V 21/22* (2006.01),  
*F21V 21/30* (2006.01)  
 (72) Inventeurs/Inventors:  
 ALLISON, JOSHUA C., US;  
 HAALAND, JOSH, US;  
 IVANOFF, JESSICA, US  
 (73) Propriétaire/Owner:  
 C&M OILFIELD RENTALS, LLC, US  
 (74) Agent: GOWLING WLG (CANADA) LLP

(54) Titre : SYSTEME D'ECLAIRAGE AMELIORE MONTE SUR UNE STRUCTURE ELEVEE  
 (54) Title: IMPROVED ELEVATED STRUCTURE-MOUNTED LIGHTING SYSTEM



(57) **Abrégé/Abstract:**

An improved elevated structure-mounted lighting system is disclosed. The lighting system may be used on drilling rigs, or with other applications, including for drilling, production, refineries, frac sites, construction, and other industrial applications that may use tower/mast type equipment. The improved elevated structure-mounted lighting system may accommodate any style or design of crown section of a drilling rig and may be mounted on a pole or independent mount system.

(12) INTERNATIONAL APPLICATION PUBLISHED UNDER THE PATENT COOPERATION TREATY (PCT)

(19) World Intellectual Property  
Organization  
International Bureau



(10) International Publication Number  
**WO 2019/177653 A1**

(43) International Publication Date  
19 September 2019 (19.09.2019)

(51) International Patent Classification:

F21S 8/08 (2006.01) F21V 21/00 (2006.01)  
F21S 9/04 (2006.01) F21V 21/22 (2006.01)  
F21V 21/116 (2006.01) F21V 21/30 (2006.01)

(21) International Application Number:

PCT/US2018/042795

(22) International Filing Date:

19 July 2018 (19.07.2018)

(25) Filing Language:

English

(26) Publication Language:

English

(30) Priority Data:

62/643,663 15 March 2018 (15.03.2018) US  
16/009,032 14 June 2018 (14.06.2018) US

(71) Applicant: JCA RENTALS, LLC [US/US]; 3429 Cottonwood Avenue, Cody, WY 82414 (US).

(72) Inventors: ALLISON, Joshua C.; C/o JCA Rentals, LLC, 3429 Cottonwood Avenue, Cody, WY 82414 (US). HAA-LAND, Josh; c/o JCA Rentals, Llc, 3429 Cottonwood Av-

enue, Cody, WY 82414 (US). IVANOFF, Jessica; c/o JCA Rentals, LLC, 3429 Cottonwood Avenue, Cody, WY 82414 (US).

(74) Agent: HAWES, Erik C. et al.; Morgan, Lewis & Bockius LLP, 1111 Pennsylvania Ave., NW, Washington, DC 20004 (US).

(81) Designated States (unless otherwise indicated, for every kind of national protection available): AE, AG, AL, AM, AO, AT, AU, AZ, BA, BB, BG, BH, BN, BR, BW, BY, BZ, CA, CH, CL, CN, CO, CR, CU, CZ, DE, DJ, DK, DM, DO, DZ, EC, EE, EG, ES, FI, GB, GD, GE, GH, GM, GT, HN, HR, HU, ID, IL, IN, IR, IS, JO, JP, KE, KG, KH, KN, KP, KR, KW, KZ, LA, LC, LK, LR, LS, LU, LY, MA, MD, ME, MG, MK, MN, MW, MX, MY, MZ, NA, NG, NI, NO, NZ, OM, PA, PE, PG, PH, PL, PT, QA, RO, RS, RU, RW, SA, SC, SD, SE, SG, SK, SL, SM, ST, SV, SY, TH, TJ, TM, TN, TR, TT, TZ, UA, UG, US, UZ, VC, VN, ZA, ZM, ZW.

(84) Designated States (unless otherwise indicated, for every kind of regional protection available): ARIPO (BW, GH, GM, KE, LR, LS, MW, MZ, NA, RW, SD, SL, ST, SZ, TZ,

(54) Title: IMPROVED ELEVATED STRUCTURE-MOUNTED LIGHTING SYSTEM

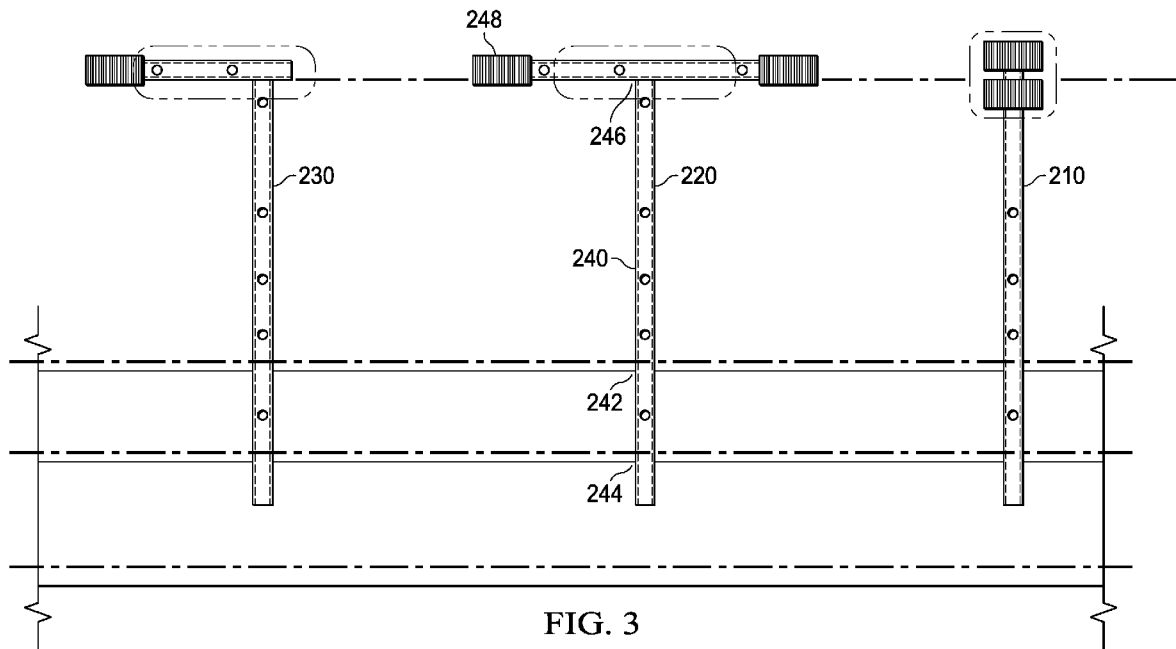


FIG. 3

(57) Abstract: An improved elevated structure-mounted lighting system is disclosed. The lighting system may be used on drilling rigs, or with other applications, including for drilling, production, refineries, frac sites, construction, and other industrial applications that may use tower/mast type equipment. The improved elevated structure-mounted lighting system may accommodate any style or design of crown section of a drilling rig and may be mounted on a pole or independent mount system.



WO 2019/177653 A1

**WO 2019/177653 A1** 

---

UG, ZM, ZW), Eurasian (AM, AZ, BY, KG, KZ, RU, TJ, TM), European (AL, AT, BE, BG, CH, CY, CZ, DE, DK, EE, ES, FI, FR, GB, GR, HR, HU, IE, IS, IT, LT, LU, LV, MC, MK, MT, NL, NO, PL, PT, RO, RS, SE, SI, SK, SM, TR), OAPI (BF, BJ, CF, CG, CI, CM, GA, GN, GQ, GW, KM, ML, MR, NE, SN, TD, TG).

**Published:**

— *with international search report (Art. 21(3))*

## **IMPROVED ELEVATED STRUCTURE-MOUNTED LIGHTING SYSTEM**

### TECHNICAL FIELD

[0001] The present application relates to lighting systems, and more particularly, to lighting systems that may be used for a drilling application.

### BACKGROUND

[0002] Lighting systems for drilling rigs and their surrounding areas are critical to ensure continuous and safe operation of well sites. To ensure even and effective lighting of the well site, lighting systems have previously been installed on the uppermost portion of the drilling rig, also referred to as the “crown” of the rig. Prior art crown-mounted lighting systems developed for oil rigs are limited in several ways. Their designs are complicated and designed for specific rigs or rig types. Typically, once they are designed for a particular rig or a particular type of rig, the lighting systems designs are limited and are not able to be adapted for other uses.

[0003] Prior art lighting systems for drilling rigs are fixed, monolithic structures that are typically crown or frame systems, with a single size and layout accommodating one type of light and rig. Because they are a single structural unit, they are heavy and typically require cranes along with multiple workers for installation, removal, and adjustments. A typical rig lighting frame system may require between 6 and 12 hours for installation. Further, before a derrick can be moved, the lighting systems must be removed—again with all of the necessary equipment and personnel—and a similar amount of time may be required for uninstallation. These installation and uninstallation times extend the time needed between rig deployments. Due to the high cost of operating a rig, any such delay is extremely inefficient for the operator of a wellsite. These factors also increase the time required to be spent on maintaining these systems, which also increases safety risk.

## SUMMARY

**[0004]** An improved elevated structure-mounted lighting system is disclosed. In addition to being used on rigs, embodiments of the lighting system may be used with different applications, including for drilling, production, refineries, frac sites, construction, and other industrial applications that may use tower/mast type equipment. The improved elevated structure-mounted lighting system may accommodate any style or design of crown section of a drilling rig and may be mounted on a pole or independent mount system.

## BRIEF DESCRIPTION OF THE DRAWINGS

**[0005]** Embodiments of the present invention are described with reference to the following figures. The same numbers are used throughout the figures to reference like features and components. Various embodiments may utilize elements and/or components other than those illustrated in the drawings, and some elements and/or components may not be present in various embodiments. Elements and/or components in the figures are not necessarily drawn to scale.

**[0006]** FIG. 1 illustrates a prior art crown-mounted frame-based lighting system;

**[0007]** FIG. 2 shows a three-dimensional isometric view of three embodiments of the improved elevated structure-mounted lighting system that are depicted relative to a crown deck.

**[0008]** FIG. 3 illustrates an elevation view of three embodiments of the improved elevated structure-mounted lighting system that are depicted relative to a crown deck.

**[0009]** FIGS. 4A and 4B are enlarged views of two embodiments of a light fixture and cap of a light unit of the improved elevated structure-mounted lighting system.

**[00010]** FIG. 5 is an enlarged view of an embodiment of a light fixture and a cap of a light unit illustrating different positions of the light fixture.

## DETAILED DESCRIPTION

**[00011]** Fig. 1 illustrates a prior art lighting system 100. The prior art lighting system is built from a single frame 120 which includes multiple frame lights 130. The frame lights 130 are rigidly fixed onto the frame 120 and cannot be adjusted or repositioned. The frame 120 includes the electrical connections for the lights. The frame 120 may be installed on the crown 110, or top, of a drilling rig such that the ground around the drilling rig is illuminated when in use.

**[00012]** Fig. 2 shows a three-dimensional isometric view and Fig. 3 shows an elevation view of three embodiments of the improved elevated structure-mounted lighting system 200 that are depicted relative to a crown deck. The embodiments of the lighting system 200 may be mounted on the crown deck of a drilling rig or on other elements of a frame structure. The lighting system 200 is lightweight in design and may be manufactured using any type of metal, including aluminum, steel, carbon, hot roll, etc. The frame structure may be hollow to reduce weight. The lighting system is also modular, which allows it to be assembled on site without the use of heavy equipment, cranes, harnesses, supports, cables, etc. This reduces the risk of accidents and the time and costs associated with the same. In an embodiment, a pole-mounted design may be set up by two people in under one hour. The system may accommodate a variety of different light types, with differing luminosities and power consumption, that may be selected based on the particular application. Variations of light types may include combustion-proof and/or LED lights.

**[00013]** The lighting system 200 is modular and assembled using multiple standalone pieces that may be configured to different structures. Three lighting unit embodiments from Figs. 2 and 3 are shown in an I-shape 210, T-shape 220, and L-shape 230, but this is not limiting and other configurations or modifications may be used, due in part to the modular nature of the system. There is no master frame or master support structure, which allows for configurability and customization.

**[00014]** As shown in Fig. 3, the light units 210, 220, and 230 may include a mounting pole 240, a bracket for a top rail 242, a bracket for a bottom rail 244, a cap 246, and a light fixture 248. The bracket for a top rail 242 and bracket for a bottom rail 244 may be used to attach the light mounting pole 240 to rails 205 of a crown deck of a drilling rig using U-shaped bolts or straps, as shown in Fig. 2. The straps are wrench-type straps that may be made out of a plastic composite. In another

embodiment, the mounting pole 240 may be welded directly to the drilling rig crown or other structure.

**[00015]** The light fixture 248 connects structurally and electrically to the cap 246, which houses wiring to accommodate any light fixture 248 that may be attached. Referring to Figs. 4A and 4B, the light fixture 248 may be bolted to the cap 246, but is preferably connected to the cap using a pin-based engagement. The pins 250 may be removable. Once the light fixture 248 is engaged with the cap 246 such that pinholes 252 are aligned, one or more pins 250 may be inserted to securely connect the light fixture 248 to the cap 246. Because the pins 250 are removable, the light fixture 248 may be disconnected and removed from the cap 246 by removing the pins 250. The light fixture 248 and cap 246 are preferably structured so that the light fixture 248 may be engaged with the cap 246 to face outward (as shown in Fig. 4A) or to face inward (as shown in Fig. 5). This may be accomplished by aligning the pinholes 252 in at least a first position or in a second position. The light fixture 248 may be configured in the outward position for use and installed in the inward position for transport. Based on the design, more than two positions may be contemplated. Safety cables connected between the light fixture 248 and cap 246 may be used as a backup in the event that pins 50 back out or are sheared during an extreme weather condition.

**[00016]** With prior art lighting systems, when a square frame is mounted, the lights are also fixed and cannot be moved as they are attached to the frame as a single unit. In contrast, in the improved elevated structure-mounted lighting system, each light may be mounted on a standalone base, and does not have to be attached to a master frame. Referring back to Figs. 2 and 3, multiple light units 210, 220, and 230 may be installed on a crown in different configurations.

**[00017]** Accordingly, the lights may be individually shifted up, down, left, or right. Based on the location of a light unit 210, 220, or 230, if more surface area is required to be lit on a particular side, the lights may be configured and directed in that direction, or the light pole may be adjusted to achieve optimal surface lighting. Individual LED bulbs may be angled in a way to produce the greatest amount of light without dissipation. In an embodiment, efficient lights allow the lighting system to be run from 120V or 240V. The lights may come with dimmer, solar, and/or sensor options. These factors allow for lighting to be achieved more efficiently than prior art lighting systems.

**[00018]** Metal safety nets may also be affixed to the crown below the light units 210, 220, and 230. In addition to its modular frame design, the lighting system 200 may use consistent nut and bolt sizes, which allows flexibility and interoperability in its structural design and assembly.

**[00019]** The modular nature of the improved elevated structure-mounted lighting system also allows for it to be serviced or adjusted while it is erect and installed. There is a single cable to connect to a power source from crown to ground. At the lighting junction box, 12 quarter turn Appletons are used. Further, the improved elevated structure-mounted lighting system does not have to be removed or taken down when the derrick or other applications are being transported or moved, which is allowed because the cords may be disconnected, rather than removed, during transport. Once transport is complete, the cords may be reconnected. Other features, such as an explosion-proof control panel on the ground with power switches may be used. As noted above, due to the high costs of rig operation, reducing time for installation and maintenance and improving safety are significant factors to reducing operation costs.

**[00020]** Many modifications and other implementations beyond those set forth herein will be apparent having the benefit of the teachings presented in the foregoing descriptions and the associated drawings. Therefore, it is to be understood that the systems and methods described herein are not to be limited to the specific implementations disclosed and that modifications and other implementations are intended to be included within the scope of the appended claims. Although specific terms are employed herein, they are used in a generic and descriptive sense and not for purposes of limitation.

## CLAIMS

1. A structure-mounted lighting system comprising:  
a plurality of light units, each light unit comprising:  
a mounting pole comprising a continuous elongate member and configured to be directly connected to the structure without any intervening intermediate supporting frame interposed between said mounting pole and the structure ;  
a light fixture coupled to the mounting pole, the light fixture comprising one or more lights;  
wherein the light fixture is configured so as to be structurally coupled to the mounting pole in a first position or a second position.
2. The structure-mounted lighting system of claim 1, further comprising safety nets connected to the structure.
3. The structure-mounted lighting system of claim 1, wherein the light fixture is structurally coupled to the mounting pole using one or more bolts.
4. The structure-mounted lighting system of claim 1, wherein the light fixture is structurally coupled to the mounting pole using one or more pins.
5. The structure-mounted lighting system of claim 1, wherein the light fixture is secondarily coupled to the mounting pole using a cable.
6. The structure-mounted lighting system of claim 1, wherein, when the light fixture is in the first position, the one or more lights of the light fixture are oriented away from the structure.

7. The structure-mounted lighting system of claim 6, wherein, when the light fixture is in the second position, the one or more lights of the light fixture are oriented towards the structure.
8. The structure-mounted lighting system of claim 1, wherein the mounting pole is welded to the structure.
9. The structure-mounted lighting system of claim 1, wherein the mounting pole is connected to the structure using U-shaped bolts.
10. The structure-mounted lighting system of claim 1, wherein the mounting pole is connected to the structure using straps.
11. The structure-mounted lighting system of claim 10, wherein the straps are made from a plastic composite.
12. The structure-mounted lighting system of claim 1, wherein the structure is a crown of a drilling rig.
13. A lighting system adapted to be coupled directly to a crown of a drilling rig, comprising:
  - a plurality of light units, each light unit comprising:
    - a mounting pole configured to be directly structurally connected to the crown of the drilling rig without any intervening intermediate supporting frame interposed between said mounting pole and said crown of said drilling rig;
    - a light fixture electrically and structurally coupled to the mounting pole, the light fixture comprising one or more lights;
    - wherein the light fixture is configured so as to be both electrically and structurally coupled to the mounting pole in a first position and at least a second alternate position.

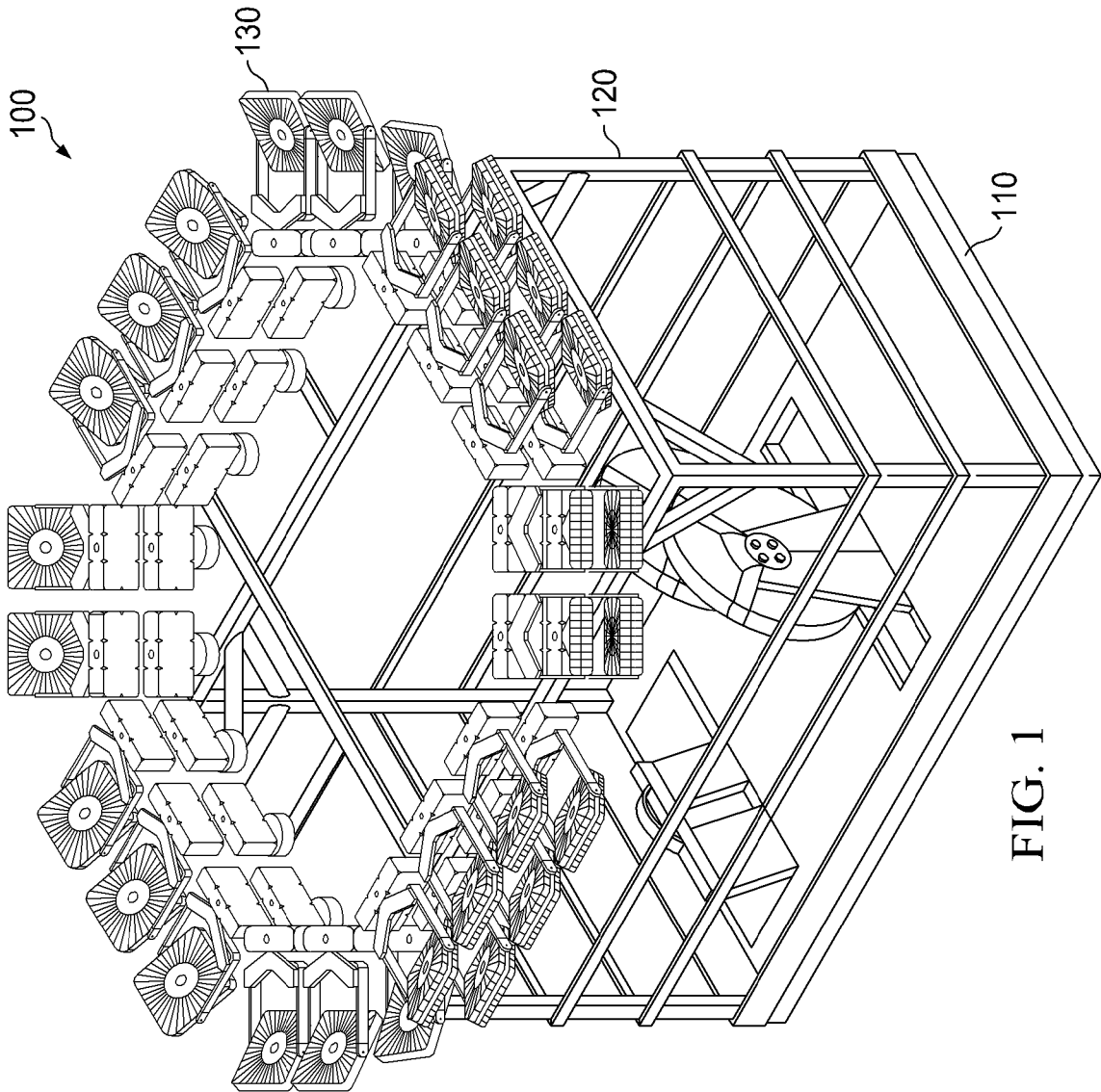
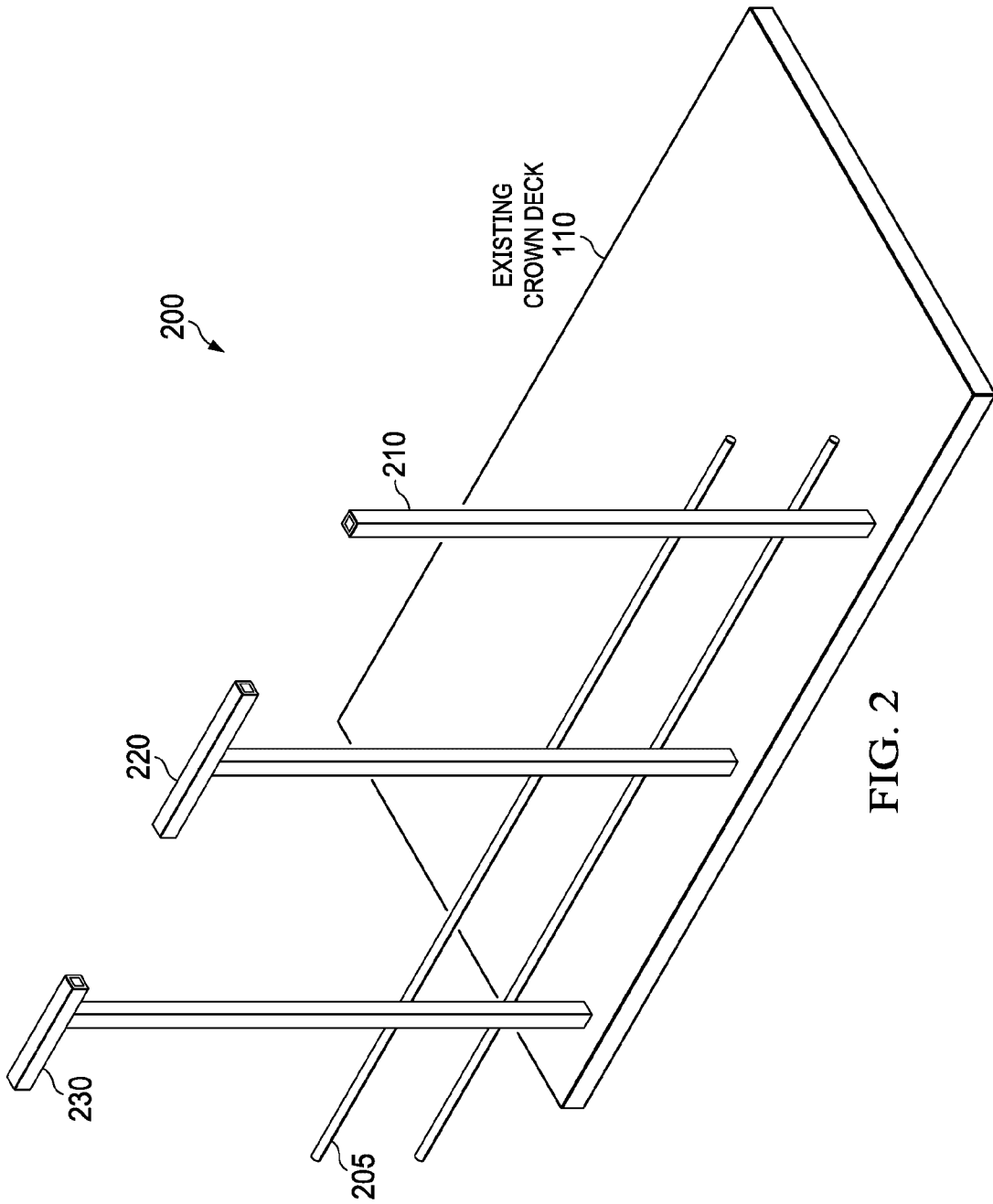


FIG. 1

PRIOR ART



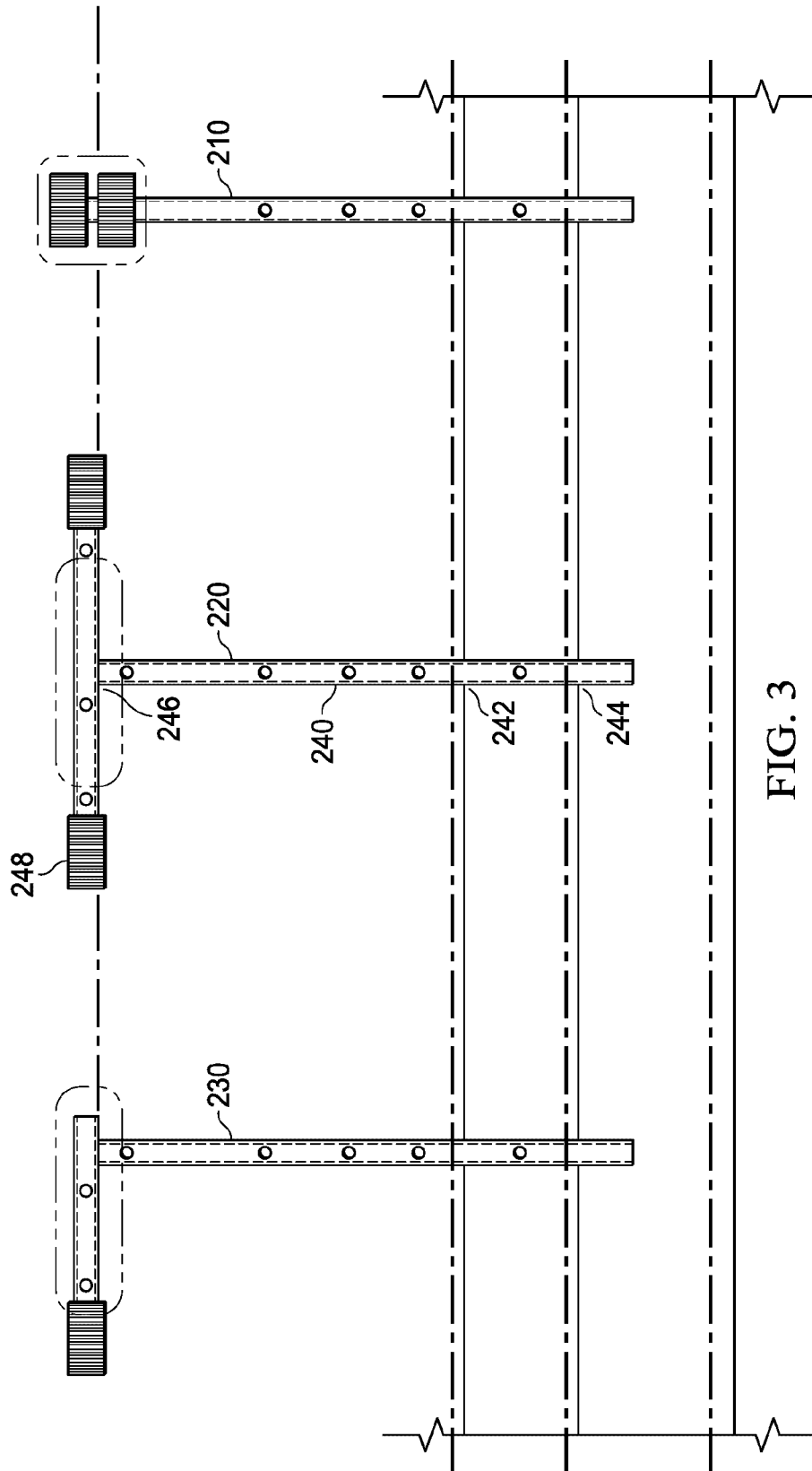


FIG. 3

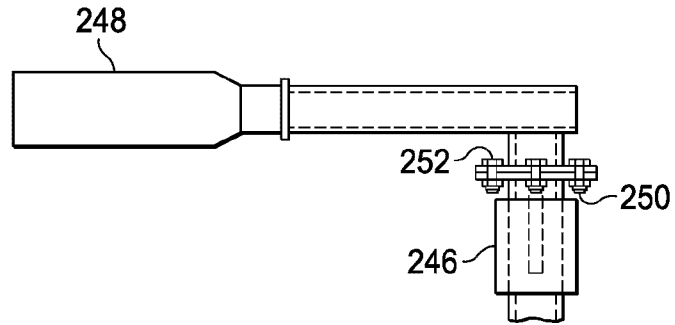


FIG. 4A

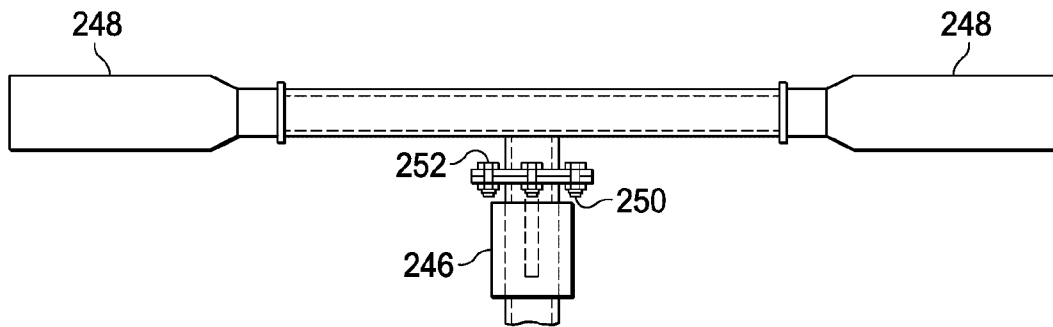


FIG. 4B

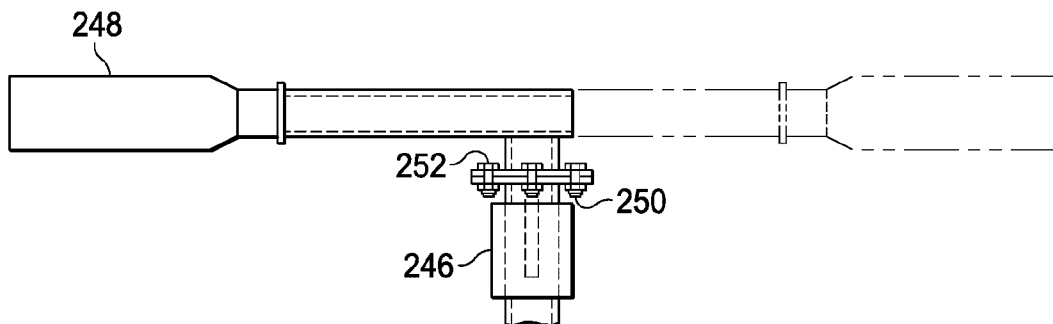


FIG. 5

