



US0D1069553S

(12) **United States Design Patent**
Fierro

(10) **Patent No.:** **US D1,069,553 S**

(45) **Date of Patent:** **** Apr. 8, 2025**

(54) **SUPPORT ARM FOR CHAIRMOUNTED ACCESSORY**

D1,033,200 S * 7/2024 Strunk D8/355
2003/0042373 A1* 3/2003 MacLeod F16M 11/24
248/125.1
2023/0070187 A1* 3/2023 Go A61G 15/14

(71) Applicant: **Boss-Caddi Corp.**, Scarborough (CA)

(72) Inventor: **Louie Fierro**, Scarborough (CA)

(73) Assignee: **Boss-Caddi Corp.**, Scarborough (CA)

(**) Term: **15 Years**

(21) Appl. No.: **35/520,277**

(22) Filed: **Mar. 13, 2023**

(80) **Hague Agreement Data**

Int. Filing Date: **Mar. 13, 2023**
Int. Reg. No.: **DM/229876**
Int. Reg. Date: **Mar. 13, 2023**
Int. Reg. Pub. Date: **Mar. 15, 2024**

(51) **LOC (15) Cl.** **08-08**

(52) **U.S. Cl.**
USPC **D8/349**

(58) **Field of Classification Search**
USPC D6/360, 702, 716, 716.2, 716.7; D8/349,
D8/354, 363, 373, 375, 380, 400
CPC . F16B 7/00; F16B 7/04; F16B 7/0493; F16M
13/00; A47C 1/11; A45D 44/04
See application file for complete search history.

(56) **References Cited**

U.S. PATENT DOCUMENTS

1,460,697 A * 7/1923 Bendlin A47B 27/06
403/56
D273,044 S * 3/1984 Holcomb D8/355
6,601,813 B1* 8/2003 Kager F16M 13/00
248/314
D867,045 S * 11/2019 Park D6/716.6
D966,764 S * 10/2022 Siekmann D6/702
D974,816 S * 1/2023 Hedberg D6/716.2
D1,011,995 S * 1/2024 Badillo D12/406

OTHER PUBLICATIONS

Metal Tray BossCaddi, <https://www.amazon.com/dp/B0CKDKV9ZS/>,
retrieved Nov. 25, 2024 (Year: 2024).*

* cited by examiner

Primary Examiner — Joseph Kukella

Assistant Examiner — Benjamin M Weeks

(74) *Attorney, Agent, or Firm* — Heer Law; Stephano
Salani

(57) **CLAIM**

The ornamental design for an support arm for chairmounted
accessory as shown and described.

DESCRIPTION

1. Support arm for chairmounted accessory

1.1 : Perspective

1.2 : Left

1.3 : Right

1.4 : Front

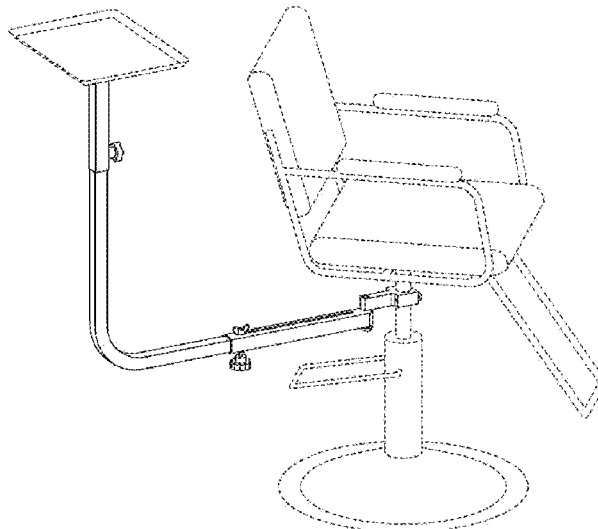
1.5 : Back

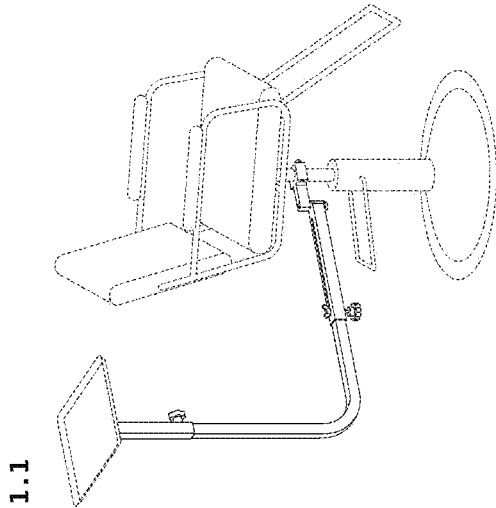
1.6 : Top

1.7 : Bottom

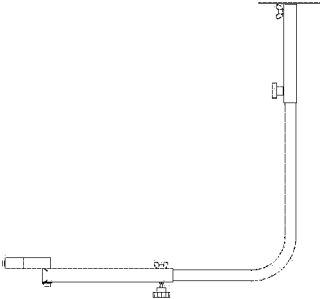
The design is limited to the features of shape and configuration
of the arm support as shown in the reproductions; Fig.
1.1 is a perspective view of the arm support; Fig. **1.2** is a left
side view of the arm support; Fig. **1.3** is a right side view of
the arm support; Fig. **1.4** is front view of the arm support;
Fig. **1.5** is a back view of the arm support; Fig. **1.6** is a top
view of the arm support; Fig. **1.7** is a bottom view of the arm
support; the parts shown by broken lines do not form part of
the claimed design.

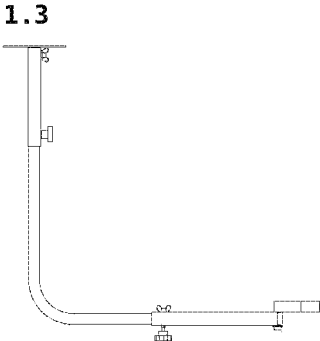
1 Claim, 7 Drawing Sheets





1.2





1.4

