

(19) World Intellectual Property Organization  
International Bureau



(43) International Publication Date  
23 June 2005 (23.06.2005)

PCT

(10) International Publication Number  
WO 2005/055875 A3

(51) International Patent Classification<sup>7</sup>: A61F 2/16

Capistrano, CA 92675 (US). PAUL, Marlene, L. [US/US]; 29382 Castle Road, Laguna Niguel, CA 92677 (US).

(21) International Application Number:  
PCT/US2004/041511

(74) Agent: WEBER, David; c/o Advanced Medical Optics, Inc., 1700 E. St. Andrew Place, Santa Ana, CA 92799-5162 (US).

(22) International Filing Date: 9 December 2004 (09.12.2004)

(81) Designated States (unless otherwise indicated, for every kind of national protection available): AE, AG, AL, AM, AT, AU, AZ, BA, BB, BG, BR, BW, BY, BZ, CA, CH, CN, CO, CR, CU, CZ, DE, DK, DM, DZ, EC, EE, EG, ES, FI, GB, GD, GE, GH, GM, HR, HU, ID, IL, IN, IS, JP, KE, KG, KP, KR, KZ, LC, LK, LR, LS, LT, LU, LV, MA, MD, MG, MK, MN, MW, MX, MZ, NA, NI, NO, NZ, OM, PG, PH, PL, PT, RO, RU, SC, SD, SE, SG, SK, SL, SY, TJ, TM, TN, TR, TT, TZ, UA, UG, US, UZ, VC, VN, YU, ZA, ZM, ZW.

(25) Filing Language: English

(26) Publication Language: English

(30) Priority Data:  
60/528,273 9 December 2003 (09.12.2003) US

(71) Applicant (for all designated States except US): ADVANCED MEDICAL OPTICS, INC. [US/US]; 1700 E. St. Andrew Place, Santa Ana, CA 92799-5162 (US).

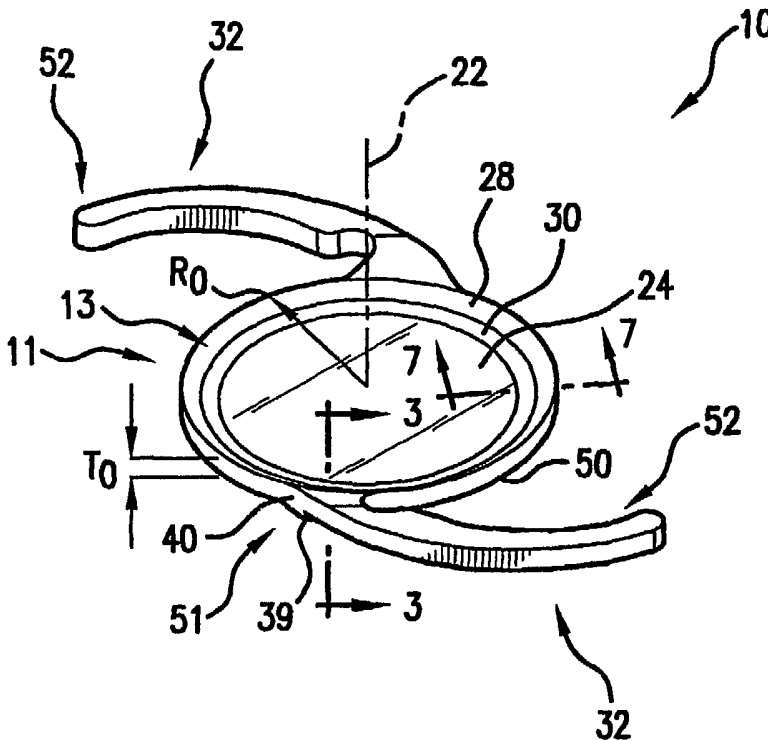
(84) Designated States (unless otherwise indicated, for every kind of regional protection available): ARIPO (BW, GH, GM, KE, LS, MW, MZ, NA, SD, SL, SZ, TZ, UG, ZM, ZW), Eurasian (AM, AZ, BY, KG, KZ, MD, RU, TJ, TM), European (AT, BE, BG, CH, CY, CZ, DE, DK, EE, ES, FI, FR, GB, GR, HU, IE, IS, IT, LT, LU, MC, NL, PL, PT, RO, SE, SI, SK, TR), OAPI (BF, BJ, CF, CG, CI, CM, GA, GN, GQ, GW, ML, MR, NE, SN, TD, TG).

(72) Inventors; and

(75) Inventors/Applicants (for US only): DEACON, Jim [US/US]; 607 Vereda Leyends, Goleta, CA 93117 (US). SHEPHERD, David, J. [US/US]; 28332 Camino La Ronda, San Juan Capistrano, CA 92675 (US). BRADY, Daniel, G. [US/US]; 30121 Saddleridge Drive, San Juan

[Continued on next page]

(54) Title: FOLDABLE INTRAOCULAR LENS AND METHOD OF MAKING



(57) Abstract: A foldable intraocular lens(10) for providing vision contains an optic body (11) that includes an optical zone(12) and a peripheral zone (13) entirely surrounding the optical zone. The optic body has an anterior face (14), a substantially opposing posterior face (18), an optic edge (20), and an optical axis (22). The anterior face comprises a central face (24), a peripheral face (28), and a recessed annular face (30) therebetween that is disposed posterior to the peripheral face. The intraocular lens further comprises at least one haptic (32) that is integrally formed with the peripheral zone. The haptic comprises a distal posterior face (34), a proximal posterior face (38), and a step edge (39) disposed at a boundary therebetween. The haptic further comprises a side edge (40) disposed between the optic edge and the step edge. The proximal posterior face and the posterior face of the optic body form a continuous surface (48). An edge corner (50) is formed by the intersection of the continuous surface with the optic edge, the side edge, and the step edge.

WO 2005/055875 A3



**Published:**

- *with international search report*
- *before the expiration of the time limit for amending the claims and to be republished in the event of receipt of amendments*

*For two-letter codes and other abbreviations, refer to the "Guidance Notes on Codes and Abbreviations" appearing at the beginning of each regular issue of the PCT Gazette.*

**(88) Date of publication of the international search report:**

9 September 2005

# INTERNATIONAL SEARCH REPORT

International Application No  
PCT/US2004/041511

**A. CLASSIFICATION OF SUBJECT MATTER**  
IPC 7 A61F2/16

According to International Patent Classification (IPC) or to both national classification and IPC

**B. FIELDS SEARCHED**

Minimum documentation searched (classification system followed by classification symbols)  
IPC 7 A61F

Documentation searched other than minimum documentation to the extent that such documents are included in the fields searched

Electronic data base consulted during the international search (name of data base and, where practical, search terms used)

EPO-Internal, WPI Data

**C. DOCUMENTS CONSIDERED TO BE RELEVANT**

Category °	Citation of document, with indication, where appropriate, of the relevant passages	Relevant to claim No.
X A  A	US 2003/199976 A1 (PORTNEY VALDEMAR) 23 October 2003 (2003-10-23) page 2, paragraph 22 - page 2, paragraph 26  page 2, paragraph 31 page 4, paragraph 63 - page 5, paragraph 65; figures 5-7,11 ----- US 6 468 306 B1 (PAUL MARLENE L ET AL) 22 October 2002 (2002-10-22)  column 1, line 45 - column 2, line 17 column 5, line 57 - column 5, line 62 column 10, line 56 - column 11, line 25; figure 11 ----- -/--	30, 32, 33  1-3, 7-9, 17-22, 24-29, 31  1, 7-9, 12, 14, 17-21, 26, 28-31, 33

Further documents are listed in the continuation of box C.

Patent family members are listed in annex.

° Special categories of cited documents :

- "A" document defining the general state of the art which is not considered to be of particular relevance
- "E" earlier document but published on or after the international filing date
- "L" document which may throw doubts on priority claim(s) or which is cited to establish the publication date of another citation or other special reason (as specified)
- "O" document referring to an oral disclosure, use, exhibition or other means
- "P" document published prior to the international filing date but later than the priority date claimed

- "T" later document published after the international filing date or priority date and not in conflict with the application but cited to understand the principle or theory underlying the invention
- "X" document of particular relevance; the claimed invention cannot be considered novel or cannot be considered to involve an inventive step when the document is taken alone
- "Y" document of particular relevance; the claimed invention cannot be considered to involve an inventive step when the document is combined with one or more other such documents, such combination being obvious to a person skilled in the art.
- "&" document member of the same patent family

Date of the actual completion of the international search

18 July 2005

Date of mailing of the international search report

25/07/2005

Name and mailing address of the ISA

European Patent Office, P.B. 5818 Patentlaan 2  
 NL - 2280 HV Rijswijk  
 Tel. (+31-70) 340-2040, Tx. 31 651 epo nl,  
 Fax: (+31-70) 340-3016

Authorized officer

Merté, B

## INTERNATIONAL SEARCH REPORT

International Application No

PCT/US2004/041511

## C.(Continuation) DOCUMENTS CONSIDERED TO BE RELEVANT

Category °	Citation of document, with indication, where appropriate, of the relevant passages	Relevant to claim No.
A	WO 03/059208 A (ADVANCED MEDICAL OPTICS, INC; BRADY, DANIEL, G; LAGUETTE, STEPHEN, W;) 24 July 2003 (2003-07-24) page 5, line 17 - page 5, line 22 page 24, line 5 - page 25, line 18; figures 7C-7E	1-3,7, 17, 26-29,31
A	----- US 4 878 912 A (CASTLEMAN ET AL) 7 November 1989 (1989-11-07)  column 1, line 50 - column 2, line 22; figures 1,2A,2B	1,7,19, 26,29, 30,33
A	----- US 6 162 249 A (DEACON ET AL) 19 December 2000 (2000-12-19) column 3, line 62 - column 3, line 67; figures 1,7,8,10  -----	1,14,26, 30,33

# INTERNATIONAL SEARCH REPORT

Information on patent family members

International Application No  
PCT/US2004/041511

Patent document cited in search report	Publication date	Patent family member(s)	Publication date	
US 2003199976	A1	23-10-2003	US 2002161435 A1	31-10-2002
			WO 2004107020 A2	09-12-2004
			EP 1370199 A2	17-12-2003
			WO 02074210 A2	26-09-2002
US 6468306	B1	22-10-2002	US 6162249 A	19-12-2000
			US 2003055498 A1	20-03-2003
			US 2003060879 A1	27-03-2003
			US 2003114926 A1	19-06-2003
			US 2003130733 A1	10-07-2003
			US 2003144733 A1	31-07-2003
			AT 269681 T	15-07-2004
			AU 770891 B2	04-03-2004
			AU 1766501 A	04-06-2001
			BR 0015837 A	06-08-2002
			CA 2394788 A1	31-05-2001
			DE 60011816 D1	29-07-2004
			DE 60011816 T2	30-06-2005
			EP 1246586 A1	09-10-2002
			EP 1273275 A2	08-01-2003
			JP 2003514614 T	22-04-2003
			WO 0137762 A1	31-05-2001
			AU 3652499 A	20-12-1999
			EP 1079769 A1	07-03-2001
			JP 2002516708 T	11-06-2002
WO 9962435 A1	09-12-1999			
WO 03059208	A	24-07-2003	AU 2003210534 A1	30-07-2003
			WO 03059208 A2	24-07-2003
			US 2003135272 A1	17-07-2003
			US 2004127984 A1	01-07-2004
US 4878912	A	07-11-1989	NONE	
US 6162249	A	19-12-2000	AU 3652499 A	20-12-1999
			EP 1079769 A1	07-03-2001
			JP 2002516708 T	11-06-2002
			WO 9962435 A1	09-12-1999
			US 2003055498 A1	20-03-2003
			US 2003060879 A1	27-03-2003
			US 2003114926 A1	19-06-2003
			US 2003130733 A1	10-07-2003
			US 2003144733 A1	31-07-2003
			US 6468306 B1	22-10-2002