



US00D716219S

(12) **United States Design Patent**  
**Quinlan et al.**

(10) **Patent No.:** **US D716,219 S**

(45) **Date of Patent:** **\*\* Oct. 28, 2014**

- (54) **MASONRY UNIT INCLUDING A PHOTOVOLTAIC CELL MODULE**
- (71) Applicant: **SolaBlock LLC**, Springfield, MA (US)
- (72) Inventors: **Patrick John Adrian Quinlan**, Hadley, MA (US); **Jonathan Richard Lewis**, Amherst, MA (US); **Jason Michael Laverty**, Westfield, MA (US)

D442,915 S *	5/2001	Sasaoka .....	D13/119
6,672,018 B2 *	1/2004	Shingleton .....	52/173.3
D644,601 S *	9/2011	Adriani .....	D13/102
D667,371 S *	9/2012	Shimosawa et al. ....	D13/102
D670,239 S *	11/2012	Kannou et al. ....	D13/102
D673,303 S *	12/2012	D'Avella .....	D25/114
2010/0147359 A1 *	6/2010	Harberts et al. ....	136/246
2011/0091707 A1 *	4/2011	Jousset et al. ....	428/220

\* cited by examiner

(73) Assignee: **SolaBlock LLC**, Hadley, MA (US)

*Primary Examiner* — Derrick Holland

(\*\*) Term: **14 Years**

(74) *Attorney, Agent, or Firm* — Fish & Richardson P.C.

(21) Appl. No.: **29/479,589**

(57) **CLAIM**

The ornamental design for a masonry unit including a photovoltaic cell module, as shown and described.

(22) Filed: **Jan. 17, 2014**

**DESCRIPTION**

(51) **LOC (10) Cl.** ..... **13-02**

(52) **U.S. Cl.**

USPC ..... **D13/102**

(58) **Field of Classification Search**

USPC ..... D13/102, 101, 107, 184, 199; D25/113, D25/114, 115, 116, 118; 52/173.3, 464, 52/665; 126/573, 580, 606, 621, 622, 623; 136/206, 230, 244-251, 256, 259, 291, 136/292; 343/792.5, 813, 878, 879; 361/212, 220; 439/562, 567, 573

See application file for complete search history.

FIG. 1 is a top perspective view of a masonry unit including a photovoltaic cell module showing our new design.

FIG. 2 is a top view of a masonry unit including a photovoltaic cell module showing our new design

FIG. 3 is a cross-sectional view of a masonry unit including a photovoltaic cell module taken along line 3-3 of FIG. 1.

FIG. 4 is a cross-sectional view of a masonry unit including a photovoltaic cell module taken along line 4-4 of FIG. 1; and, FIG. 5 is cut away perspective view of a masonry unit including a photovoltaic cell module showing our new design.

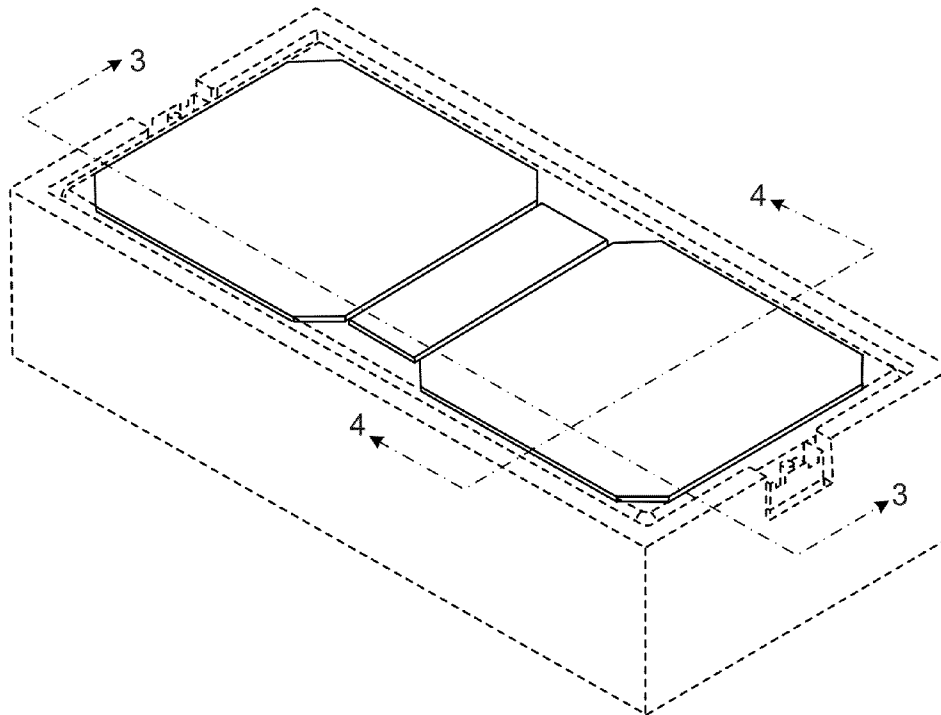
The features of the masonry unit and photovoltaic cell module shown in broken lines depict environmental subject matter only and form no part of the claimed design.

(56) **References Cited**

**U.S. PATENT DOCUMENTS**

D244,139 S *	4/1977	England .....	D13/102
4,565,043 A *	1/1986	Mazzarese .....	52/592.6

**1 Claim, 3 Drawing Sheets**



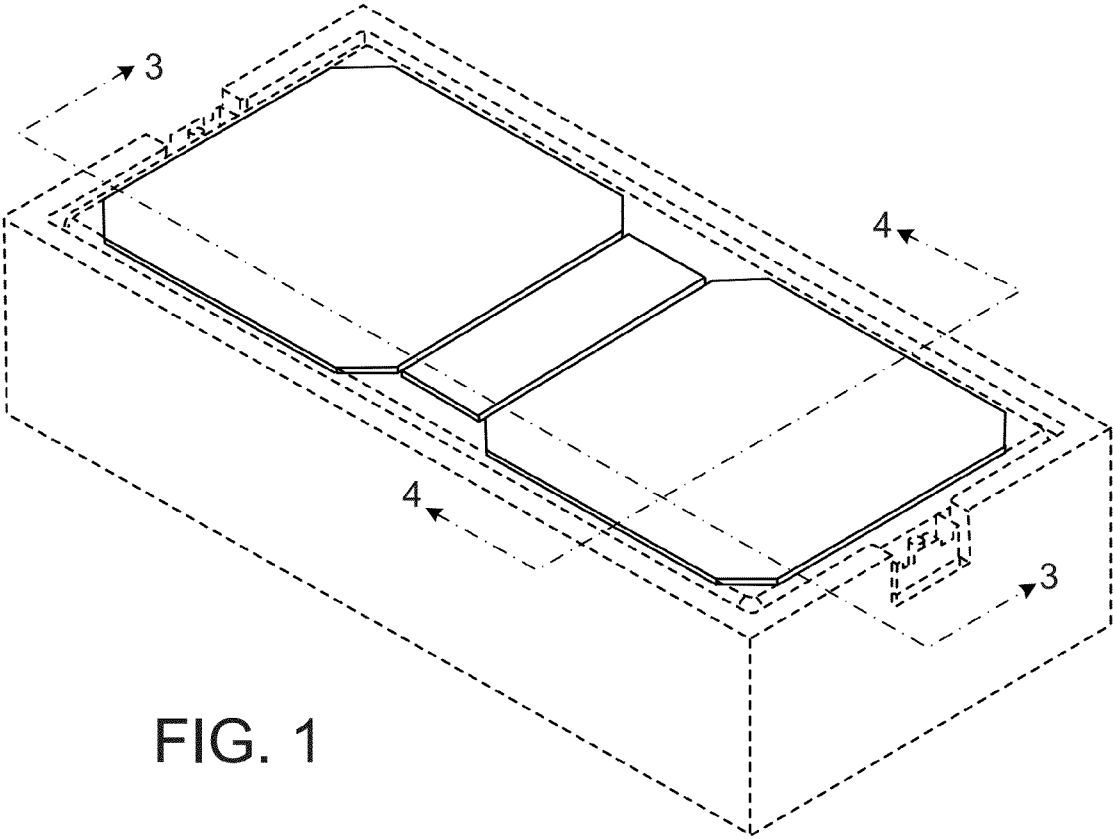


FIG. 1

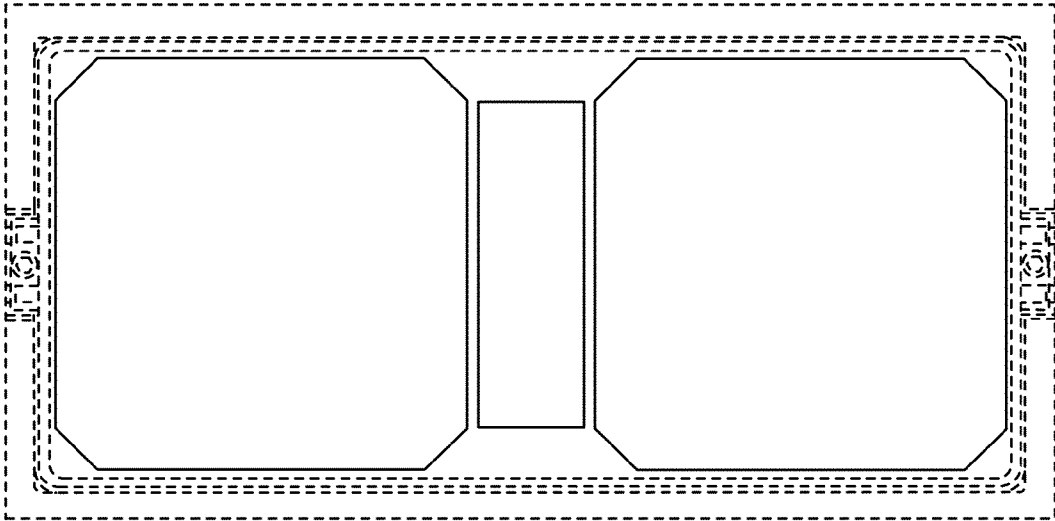


FIG. 2

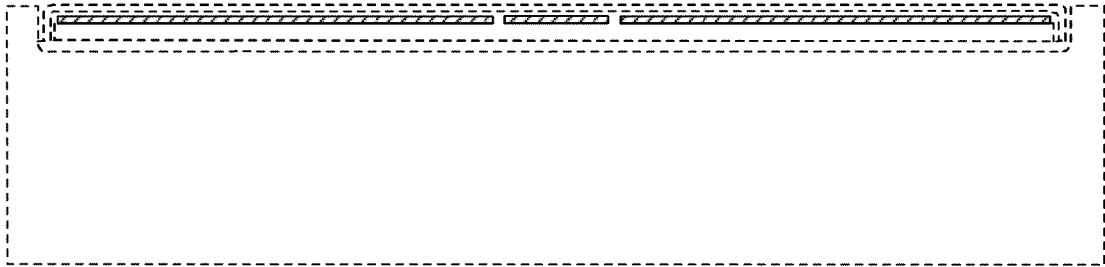


FIG. 3

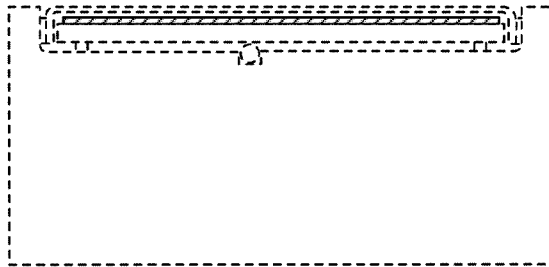


FIG. 4

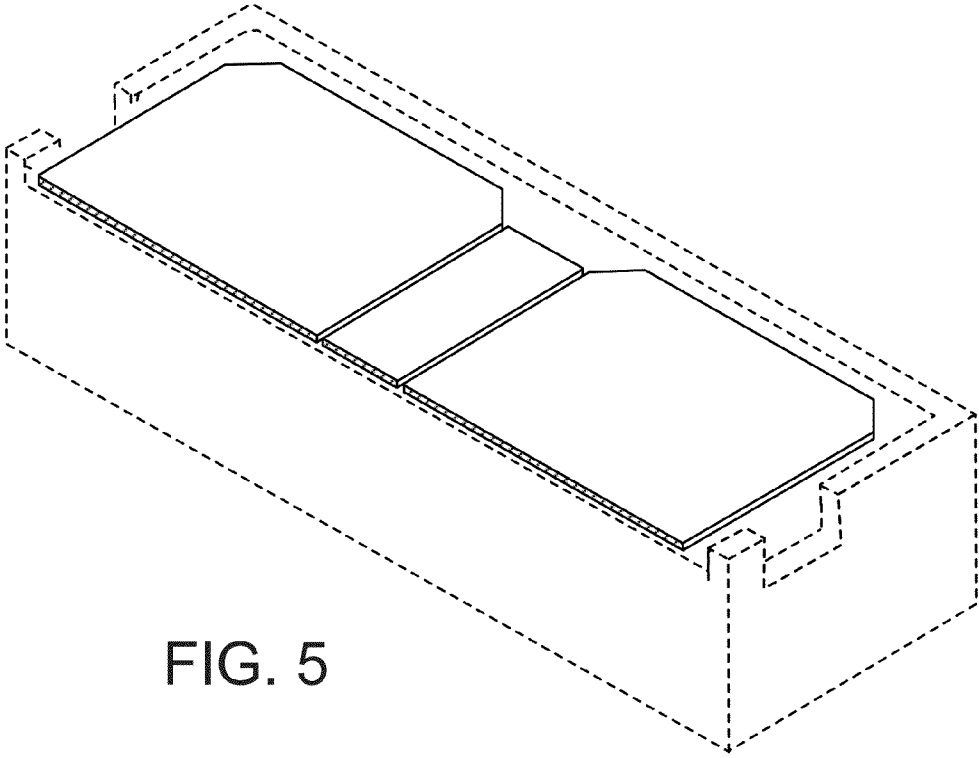


FIG. 5