



US00D666653S

(12) **United States Design Patent**  
Nusser

(10) **Patent No.:** **US D666,653 S**

(45) **Date of Patent:** **\*\* Sep. 4, 2012**

(54) **MICROSCOPE ASSEMBLY**

(75) Inventor: **Daniel Nusser**, Aalen (DE)

(73) Assignee: **Carl Zeiss Meditec AG**, Jena (DE)

(\*\*) Term: **14 Years**

(21) Appl. No.: **29/404,920**

(22) Filed: **Oct. 26, 2011**

**Related U.S. Application Data**

(62) Division of application No. 29/347,837, filed on Jun. 21, 2010, now Pat. No. Des. 650,405.

(30) **Foreign Application Priority Data**

Dec. 22, 2009 (EM) ..... 001186019

(51) **LOC (9) Cl.** ..... **16-06**

(52) **U.S. Cl.** ..... **D16/131**

(58) **Field of Classification Search** ..... D16/130,  
D16/131; 359/368, 374, 382, 384, 375, 376,  
359/377, 379, 380, 381, 383, 385; 248/123.2,  
248/280.11; 351/212, 221; 606/1; 600/427;  
D21/483

See application file for complete search history.

(56) **References Cited**

**U.S. PATENT DOCUMENTS**

3,809,454 A	5/1974	Brambring
4,241,891 A	12/1980	Rudolph
4,605,287 A	8/1986	Lang et al.
4,742,947 A	5/1988	Coffman et al.
4,807,989 A	2/1989	Nagano et al.
5,052,789 A	10/1991	Kleinberg
5,074,651 A	12/1991	Nagamine
5,173,802 A	12/1992	Heller
5,186,422 A	2/1993	Nakamura
5,288,043 A	2/1994	Tigliev

5,332,181 A	7/1994	Schweizer et al.
5,667,186 A	9/1997	Luber et al.
5,748,366 A	5/1998	Yasanuga et al.
5,820,623 A	10/1998	Ng
5,861,983 A	1/1999	Twisselmann
6,050,530 A	4/2000	Nakamura
6,434,416 B1	8/2002	Mizoguchi et al.
6,471,165 B2	10/2002	Twisselmann
D482,708 S	11/2003	Matuschek
6,646,798 B2	11/2003	Schmidt et al.
D488,823 S	4/2004	Asaka et al.
6,785,045 B2 *	8/2004	Utsugi ..... 359/383
D498,247 S	11/2004	Suzuki et al.
6,813,071 B2 *	11/2004	Takahama ..... 359/381
6,833,950 B2	12/2004	Schmidt

(Continued)

*Primary Examiner* — Paula Greene

(74) *Attorney, Agent, or Firm* — Walter Ottesen

(57) **CLAIM**

The ornamental design for a microscope assembly, as shown and described.

**DESCRIPTION**

FIG. 1 is a perspective view of the microscope assembly of my new design;

FIG. 2 is a bottom plan view of said microscope assembly of FIG. 1;

FIG. 3 is a rear elevation view of said microscope assembly of FIG. 1;

FIG. 4 is a left side elevation view of said microscope assembly of FIG. 1;

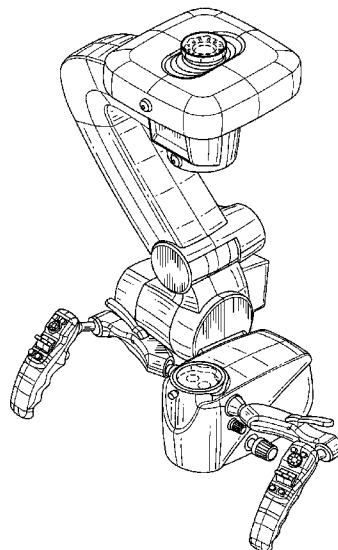
FIG. 5 is a front elevation view of said microscope assembly of FIG. 1;

FIG. 6 is a right side elevation view of said microscope assembly of FIG. 1; and,

FIG. 7 is a top plan view of said microscope assembly of FIG. 1.

The broken lines form no part of the claimed design.

**1 Claim, 7 Drawing Sheets**



# US D666,653 S

Page 2

---

U.S. PATENT DOCUMENTS							
6,899,307	B2	5/2005	Strauss et al.	7,379,239	B2 *	5/2008	Strobel et al. .... 359/384
6,937,390	B2	8/2005	Akiyama et al.	D623,210	S	9/2010	Matuschek et al.
7,136,221	B2	11/2006	Strobel et al.	D634,344	S	3/2011	Nusser et al.
7,219,864	B2 *	5/2007	Strauss et al. .... 248/122.1	7,901,080	B2	3/2011	Hauger et al.
7,232,222	B2	6/2007	Kogawa et al.	D650,405	S *	12/2011	Nusser ..... D16/131

\* cited by examiner

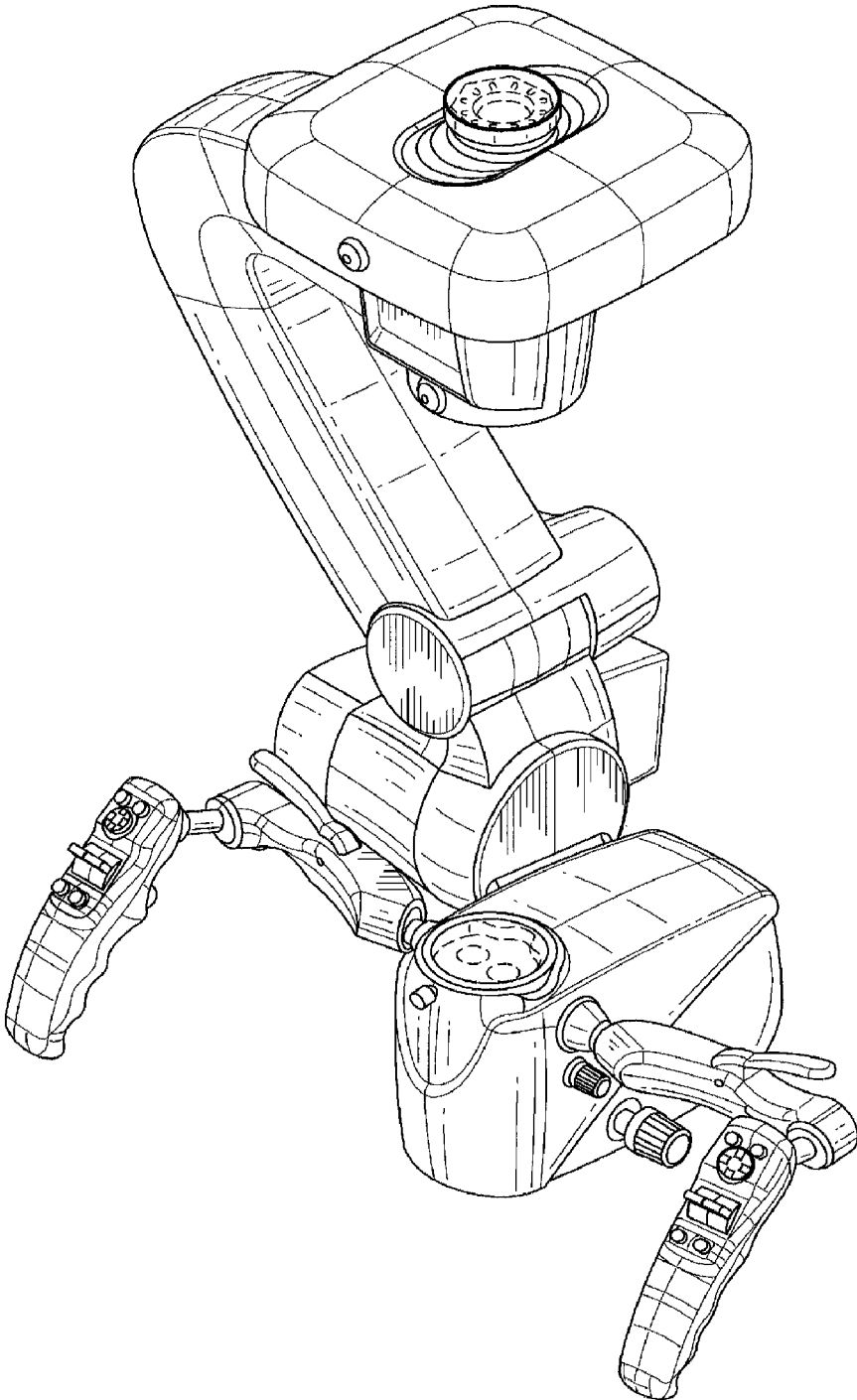


FIG. 1

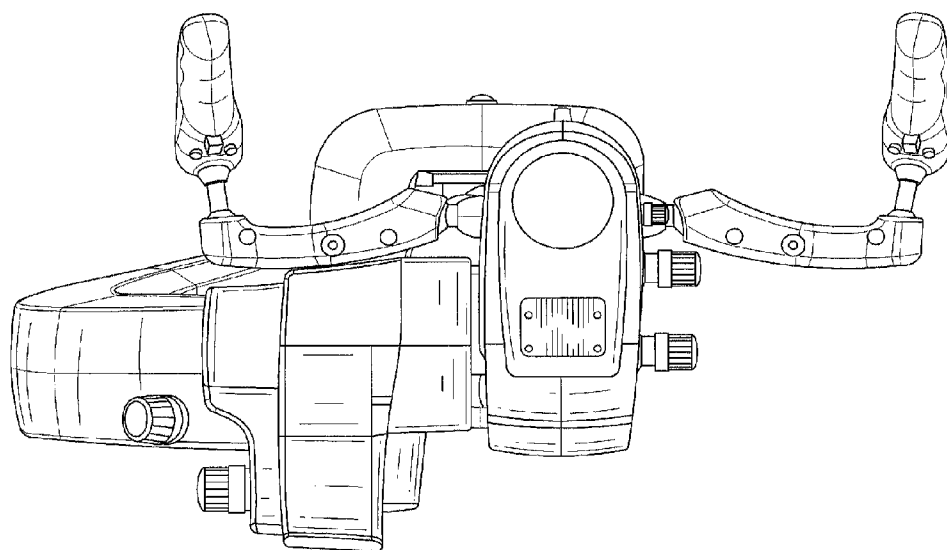


FIG. 2

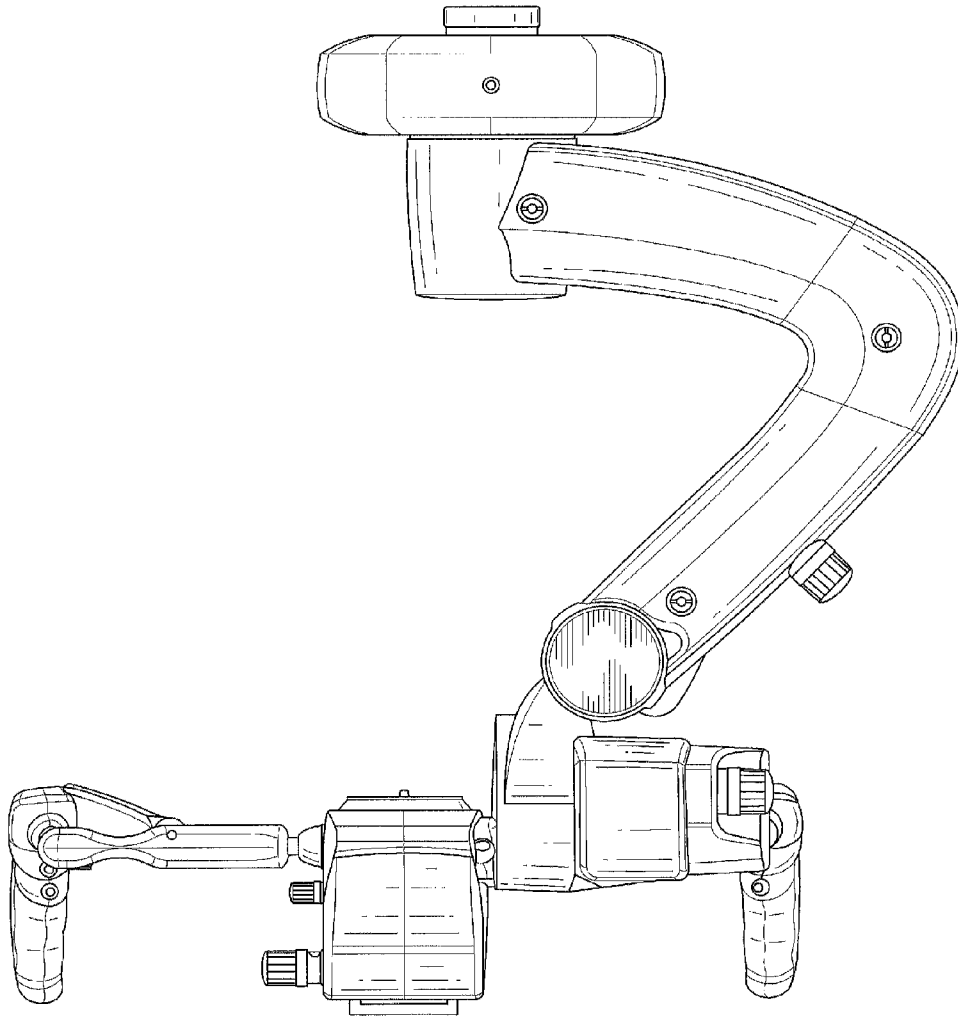


FIG. 3

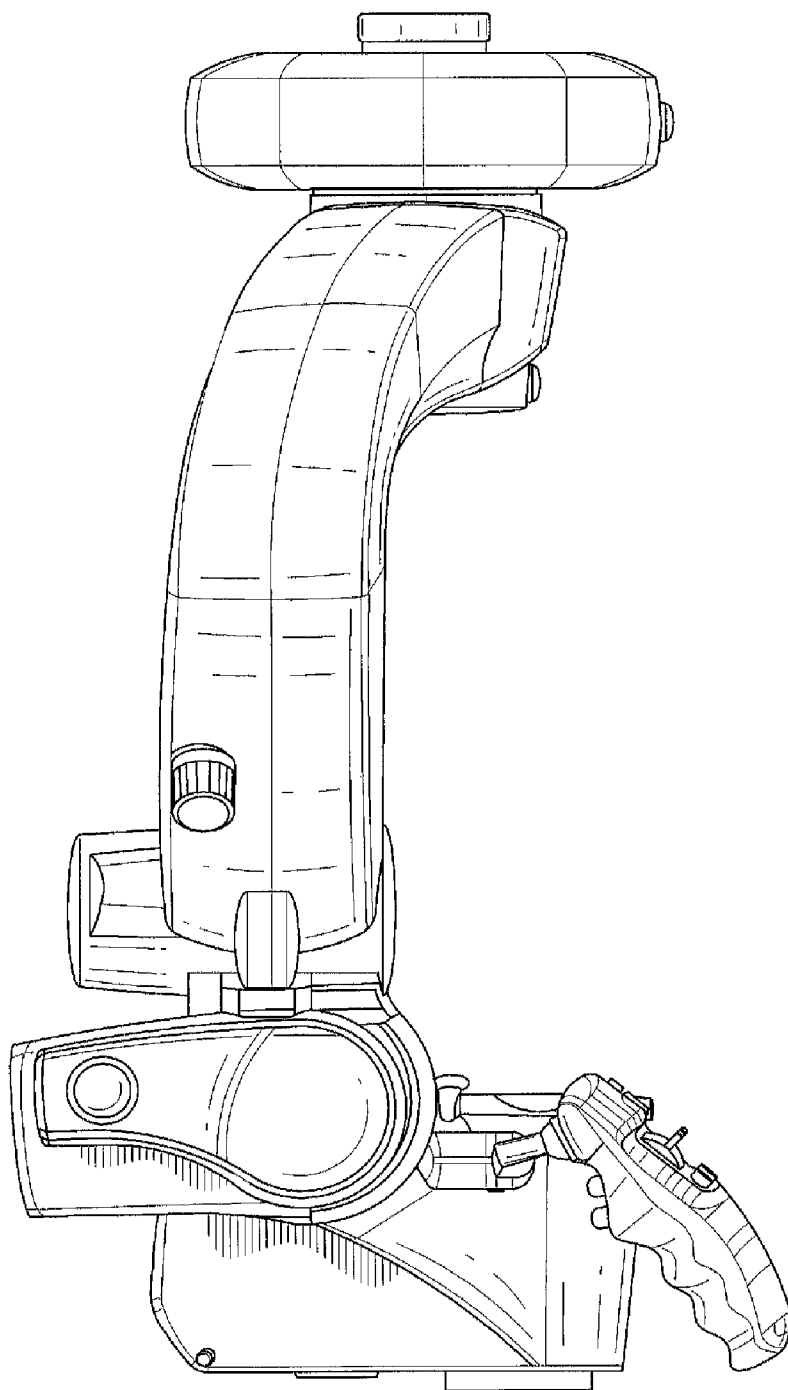


FIG. 4

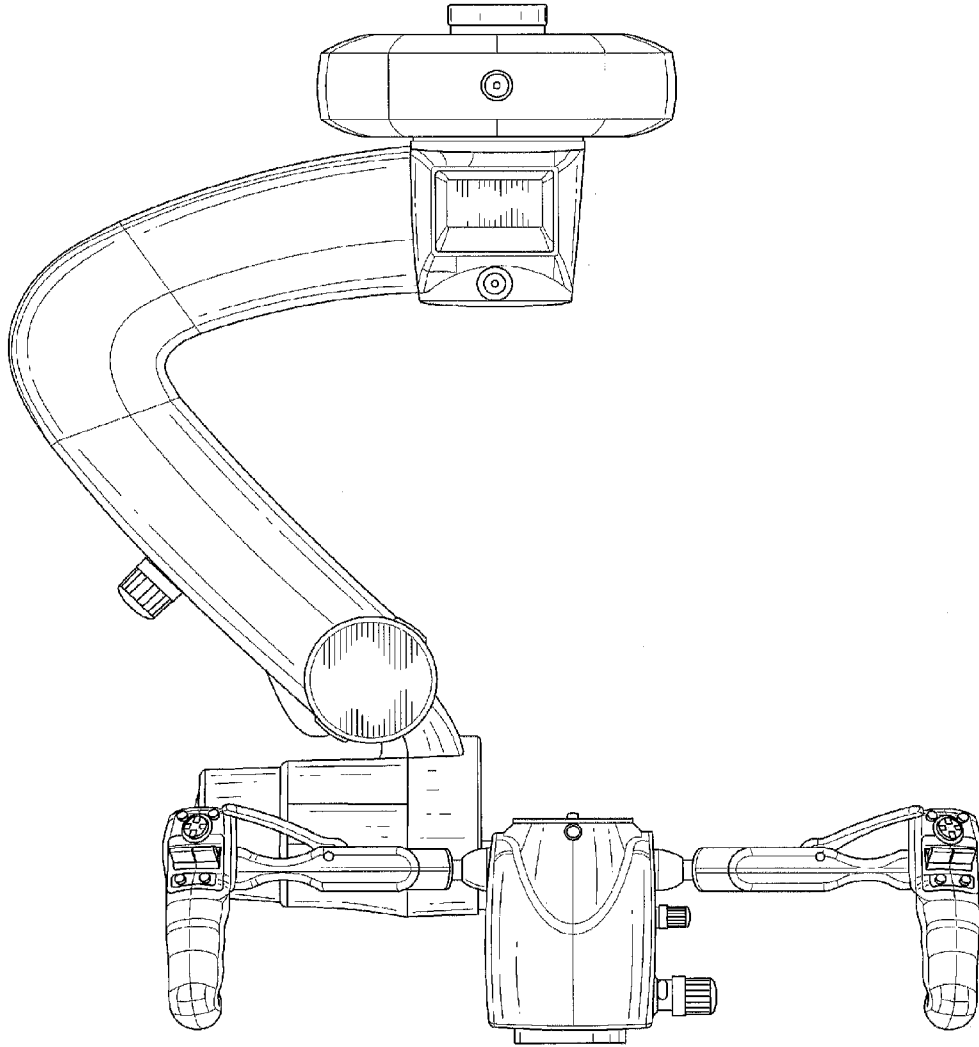


FIG. 5

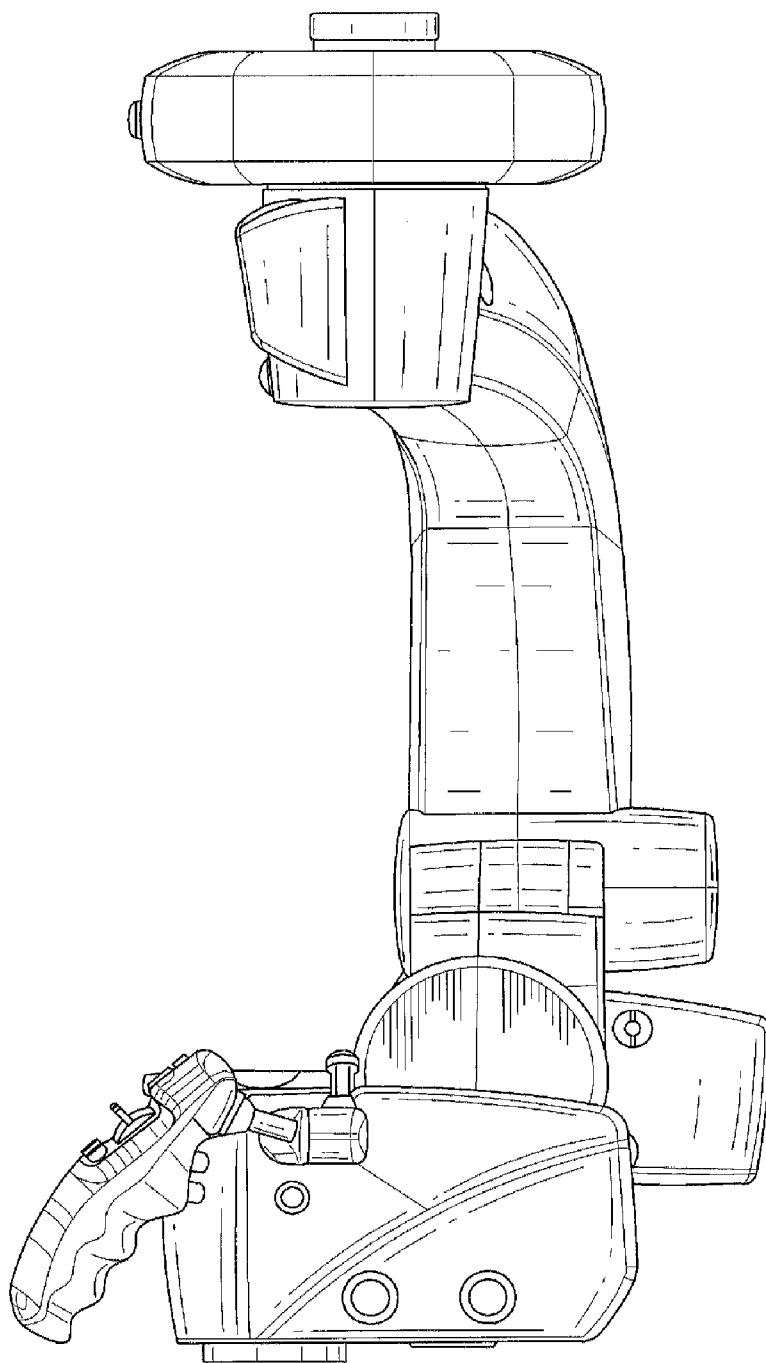


FIG. 6



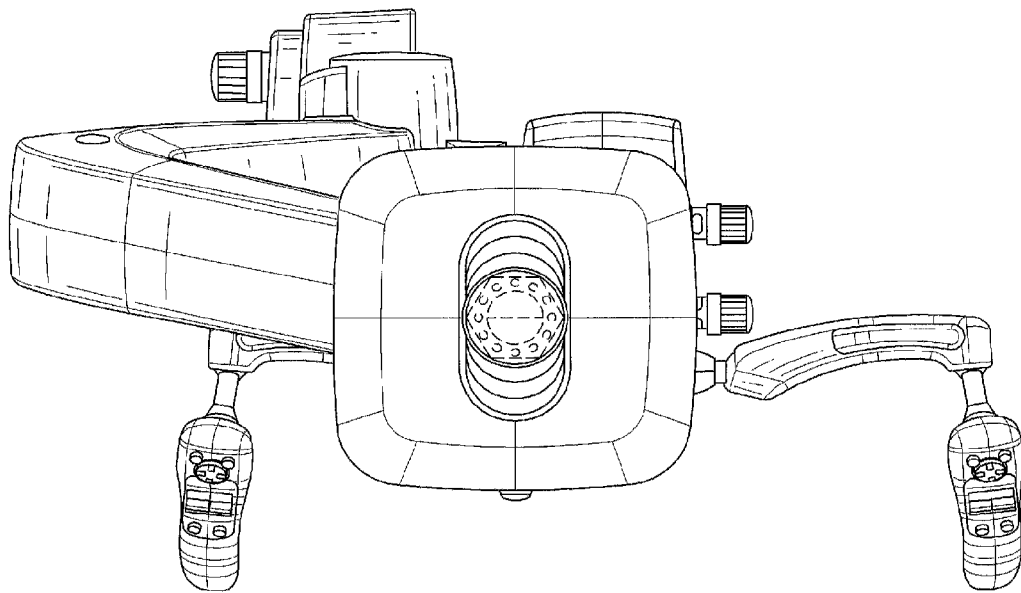


FIG. 7