

(12) **UK Patent Application** (19) **GB** (11) **2540505** (13) **A**

(43) Date of Reproduction by UK Office **18.01.2017**

(21) Application No: **1619263.5**

(22) Date of Filing: **27.07.2015**

Date Lodged: **14.11.2016**

(30) Priority Data:

(31) 62042155	(32) 26.08.2014	(33) US
(31) 62048693	(32) 10.09.2014	(33) US
(31) 29507474	(32) 28.10.2014	(33) US
(31) 29509088	(32) 13.11.2014	(33) US
(31) 62101543	(32) 09.01.2015	(33) US
(31) 62105123	(32) 19.01.2015	(33) US
(31) 62109510	(32) 29.01.2015	(33) US
(31) 14615606	(32) 06.02.2015	(33) US

(86) International Application Data:
PCT/US2015/042282 En 27.07.2015

(87) International Publication Data:
WO2016/032659 En 03.03.2016

(71) Applicant(s):
**Parsons Xtreme Golf LLC
15475 N. 84th St, Scottsdale, Arizona 85260,
United States of America**

(72) Inventor(s):
**Robert R Parsons
Bradley D Schweigert
Michael R Nicolette**

(74) Agent and/or Address for Service:
**Forresters
Rutland House, 148 Edmund Street, BIRMINGHAM,
B3 2JA, United Kingdom**

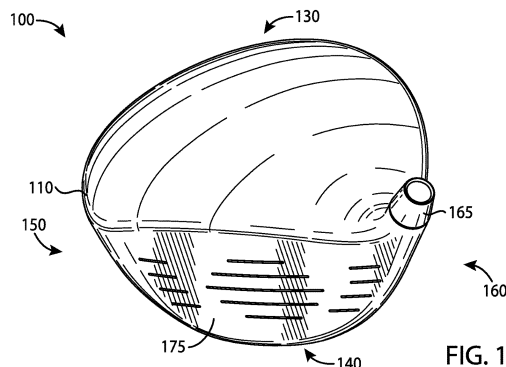
(51) INT CL:
A63B 53/04 (2015.01) **A63B 53/00** (2015.01)

(56) Documents Cited:
US 8485919 B2 US 8414422 B2
US 4754977 A US 3652094 A
US 3556533 A

(58) Field of Search:
INT CL **A63B**
Other: **PatBase, Google (Patents, Scholar, Search)**

(54) Title of the Invention: **Golf club heads and methods to manufacture golf club heads**
Abstract Title: **Golf club heads and methods to manufacture golf club heads**

(57) Embodiments of golf club heads and methods to manufacture golf club heads are generally described herein. In one example, a golf club head may include a body portion and a plurality of weight portions. The body portion may include a front portion, a rear portion, a toe portion, a heel portion, a top portion, a bottom portion having an outer surface associated with an outer surface curve, and a weight port region located at or proximate to the bottom portion. Other examples and embodiments may be described and claimed.



GB 2540505 A