



- (51) International Patent Classification:
F24C 7/08 (2006.01) H01R 4/64 (2006.01)
F24C 15/32 (2006.01)
- (21) International Application Number:
PCT/EP2011/073994
- (22) International Filing Date:
23 December 2011 (23.12.2011)
- (25) Filing Language: English
- (26) Publication Language: English
- (30) Priority Data:
A 2010/11258 31 December 2010 (31.12.2010) TR
- (71) Applicant (for all designated States except US): ARCE-
LIK ANONIM SIRKETI [TR/TR]; E5 Ankara Asfalti
Uzeri, Tuzla, 34950 Istanbul (TR).
- (72) Inventors; and
- (75) Inventors/Applicants (for US only): YAMAN, Yalcin
[TR/TR]; E5 Ankara Asfalti Uzeri, Tuzla, 34950 Istanbul
(TR). CEYLAN, Fatih [TR/TR]; E5 Ankara Asfalti Uzeri,
Tuzla, 34950 Istanbul (TR). TARIMTORU, Merih
[TR/TR]; E5 Ankara Asfalti Uzeri, Tuzla, 34950 Istanbul
(TR). TURKOZ, Serdar [TR/TR]; E5 Ankara Asfalti
Uzeri, Tuzla, 34950 Istanbul (TR).

- (81) Designated States (unless otherwise indicated, for every
kind of national protection available): AE, AG, AL, AM,
AO, AT, AU, AZ, BA, BB, BG, BH, BR, BW, BY, BZ,
CA, CH, CL, CN, CO, CR, CU, CZ, DE, DK, DM, DO,
DZ, EC, EE, EG, ES, FI, GB, GD, GE, GH, GM, GT, HN,
HR, HU, ID, IL, IN, IS, JP, KE, KG, KM, KN, KP, KR,
KZ, LA, LC, LK, LR, LS, LT, LU, LY, MA, MD, ME,
MG, MK, MN, MW, MX, MY, MZ, NA, NG, NI, NO, NZ,
OM, PE, PG, PH, PL, PT, QA, RO, RS, RU, RW, SC, SD,
SE, SG, SK, SL, SM, ST, SV, SY, TH, TJ, TM, TN, TR,
TT, TZ, UA, UG, US, UZ, VC, VN, ZA, ZM, ZW.
- (84) Designated States (unless otherwise indicated, for every
kind of regional protection available): ARIPO (BW, GH,
GM, KE, LR, LS, MW, MZ, NA, RW, SD, SL, SZ, TZ,
UG, ZM, ZW), Eurasian (AM, AZ, BY, KG, KZ, MD, RU,
TJ, TM), European (AL, AT, BE, BG, CH, CY, CZ, DE,
DK, EE, ES, FI, FR, GB, GR, HR, HU, IE, IS, IT, LT, LU,
LV, MC, MK, MT, NL, NO, PL, PT, RO, RS, SE, SI, SK,
SM, TR), OAPI (BF, BJ, CF, CG, CI, CM, GA, GN, GQ,
GW, ML, MR, NE, SN, TD, TG).

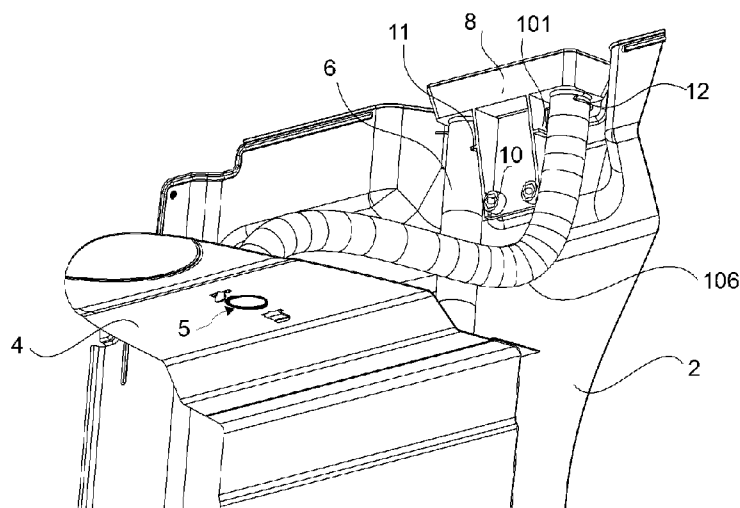
Published:

- with international search report (Art. 21(3))
- before the expiration of the time limit for amending the
claims and to be republished in the event of receipt of
amendments (Rule 48.2(h))

[Continued on next page]

(54) Title: AN OVEN WHEREOF ELECTRICAL SAFETY IS PROVIDED

Figure 2



(57) Abstract: The oven (1) of the present invention comprises a body (2), at least one oven cavity (3), a casing (4) surrounding the oven cavity (3) and at least one opening (5) disposed on the casing (4) that allows delivery of hot and humid air from the oven (1) to the exterior environment, at least one transmitting member (9, 109) that provides the assembly of the carrier (8) on the body (2), at least one discharge pipe (6, 106), one end connected to the opening (5) and the other end to nipple (7, 107) and starting from the casing (4) maintains the successive contact of the metal surfaces to each other thus providing the flow of electricity by delivering a probable electric leak to the ground for grounding the oven (1).



(88) Date of publication of the international search report:
13 September 2012

INTERNATIONAL SEARCH REPORT

International application No
PCT/EP2011/073994

A. CLASSIFICATION OF SUBJECT MATTER
 INV. F24C7/08 F24C15/32 H01R4/64
 ADD.
 According to International Patent Classification (IPC) or to both national classification and IPC

B. FIELDS SEARCHED
 Minimum documentation searched (classification system followed by classification symbols)
 F24C A21B H01R

Documentation searched other than minimum documentation to the extent that such documents are included in the fields searched

Electronic data base consulted during the international search (name of data base and, where practicable, search terms used)
 EPO-Internal, WPI Data

C. DOCUMENTS CONSIDERED TO BE RELEVANT

Category*	Citation of document, with indication, where appropriate, of the relevant passages	Relevant to claim No.
Y	DE 103 14 589 A1 (BSH BOSCH SIEMENS HAUSGERAETE [DE]) 14 October 2004 (2004-10-14) abstract; figures 1,2,5 paragraphs [0011], [0021], [0027] -----	1-15
Y	DE 88 02 657 U1 (BOSCH-SIEMENS HAUSGERAETE GMBH) 21 April 1988 (1988-04-21) abstract; figures 1,2 page 3, lines 17-27 -----	1-15
A	DE 93 01 288 U1 (LICENTIA GMBH [DE]) 7 October 1993 (1993-10-07) abstract; figures 1-3 page 2, line 35 - page 3, line 11 -----	1-15
	-/--	

Further documents are listed in the continuation of Box C.

See patent family annex.

* Special categories of cited documents :

<p>"A" document defining the general state of the art which is not considered to be of particular relevance</p> <p>"E" earlier application or patent but published on or after the international filing date</p> <p>"L" document which may throw doubts on priority claim(s) or which is cited to establish the publication date of another citation or other special reason (as specified)</p> <p>"O" document referring to an oral disclosure, use, exhibition or other means</p> <p>"P" document published prior to the international filing date but later than the priority date claimed</p>	<p>"T" later document published after the international filing date or priority date and not in conflict with the application but cited to understand the principle or theory underlying the invention</p> <p>"X" document of particular relevance; the claimed invention cannot be considered novel or cannot be considered to involve an inventive step when the document is taken alone</p> <p>"Y" document of particular relevance; the claimed invention cannot be considered to involve an inventive step when the document is combined with one or more other such documents, such combination being obvious to a person skilled in the art</p> <p>"&" document member of the same patent family</p>
---------------------------------------------------------------------------------------------------------------------------------------------------------------------------------------------------------------------------------------------------------------------------------------------------------------------------------------------------------------------------------------------------------------------------------------------------------------------------------------------------------------------------------------------------------------------------------------------------	-----------------------------------------------------------------------------------------------------------------------------------------------------------------------------------------------------------------------------------------------------------------------------------------------------------------------------------------------------------------------------------------------------------------------------------------------------------------------------------------------------------------------------------------------------------------------------------------------------------------------------------------------------------------------------------------------------------------

Date of the actual completion of the international search 16 July 2012	Date of mailing of the international search report 30/07/2012
-------------------------------------------------------------------------------	----------------------------------------------------------------------

Name and mailing address of the ISA/ European Patent Office, P.B. 5818 Patentlaan 2 NL - 2280 HV Rijswijk Tel. (+31-70) 340-2040, Fax: (+31-70) 340-3016	Authorized officer Moreno Rey, Marcos
----------------------------------------------------------------------------------------------------------------------------------------------------------------------	----------------------------------------------

INTERNATIONAL SEARCH REPORT

International application No
PCT/EP2011/073994

C(Continuation). DOCUMENTS CONSIDERED TO BE RELEVANT		
Category*	Citation of document, with indication, where appropriate, of the relevant passages	Relevant to claim No.
A	JP 52 082248 U (UNKNOWN) 20 June 1977 (1977-06-20) abstract; figures 1-3 -----	1-5
A	DE 33 38 094 A1 (LICENTIA GMBH [DE]) 2 May 1985 (1985-05-02) abstract; figure 1 -----	1-15
A	DE 10 2008 011418 B3 (BSH BOSCH SIEMENS HAUSGERAETE [DE]) 23 July 2009 (2009-07-23) abstract; figures 1,2 paragraphs [0006], [0011] -----	1-15

INTERNATIONAL SEARCH REPORT

Information on patent family members

International application No

PCT/EP2011/073994

Patent document cited in search report	Publication date	Patent family member(s)	Publication date	
DE 10314589	A1	14-10-2004	DE 10314589 A1	14-10-2004
			FR 2853955 A1	22-10-2004

DE 8802657	U1	21-04-1988	NONE	

DE 9301288	U1	07-10-1993	NONE	

JP 52082248	U	20-06-1977	NONE	

DE 3338094	A1	02-05-1985	NONE	

DE 102008011418	B3	23-07-2009	NONE	
