

United States Patent [19]

Nakauma

[11] Patent Number: Des. 315,903

[45] Date of Patent: ** Apr. 2, 1991

[54] GAME CARTRIDGE
 [75] Inventor: Yoshiaki Nakauma, Chigasaki, Japan
 [73] Assignee: Namco, Ltd., Tokyo, Japan
 [**] Term: 14 Years
 [21] Appl. No.: 284,482
 [22] Filed: Dec. 15, 1988
 [52] U.S. Cl. D14/121
 [58] Field of Search D14/120, 121, 299, 114;
 D3/35; D21/13, 48; 360/132; 273/DIG. 28;
 206/387

D. 274,905 7/1984 Rainey et al. .
 D. 275,095 8/1984 Fang .
 D. 280,322 8/1985 Velinsky .
 D. 280,413 9/1985 Grimes .
 D. 285,307 8/1986 Clarke .
 D. 290,119 6/1987 Trezise et al. .
 D. 292,399 10/1987 Yakawa .
 D. 294,020 2/1988 Yakawa .
 4,072,930 2/1978 Lucero et al. .
 4,459,680 7/1984 Sukedo et al. .
 4,642,769 2/1987 Petrofsky .
 4,755,982 7/1988 Douwes 369/291

Primary Examiner—Bernard Ansher
 Assistant Examiner—Terry A. Pfeffer
 Attorney, Agent, or Firm—Oliff & Berridge

[56] References Cited

U.S. PATENT DOCUMENTS

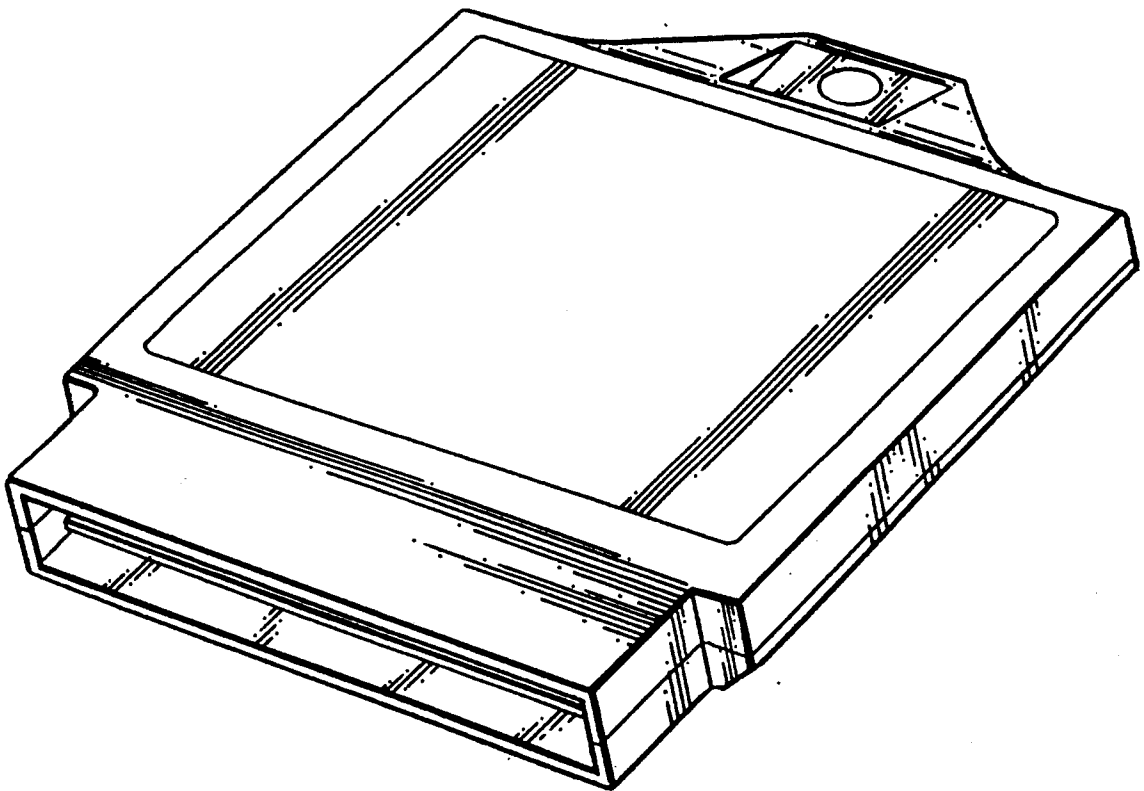
D. 243,279 2/1977 Bookless et al. .
 D. 248,470 7/1978 Talesfore .
 D. 257,345 10/1980 Levy .
 D. 260,881 9/1981 McKinsey et al. .
 D. 261,644 11/1981 McKinsey et al. .
 D. 263,222 3/1982 Driscoll .
 D. 267,714 1/1983 Tajima et al. .
 D. 269,087 5/1983 Nishi .
 D. 271,688 12/1983 Tajima et al. .
 D. 271,777 12/1983 Schlagheck et al. .
 D. 271,970 12/1983 Velsher et al. .
 D. 272,342 1/1984 Cheng .
 D. 274,731 7/1984 Girardi et al. .

[57] CLAIM

The ornamental design for game cartridge, as shown.

DESCRIPTION

FIG. 1 is a top, front, right side perspective view of the game cartridge showing my new design;
 FIG. 2 is a bottom, rear, right side perspective view thereof;
 FIG. 3 is a rear elevational view thereof;
 FIG. 4 is a top plan view thereof;
 FIG. 5 is a front elevational view thereof;
 FIG. 6 is a left side elevational view thereof; and
 FIG. 7 is a bottom plan view thereof.



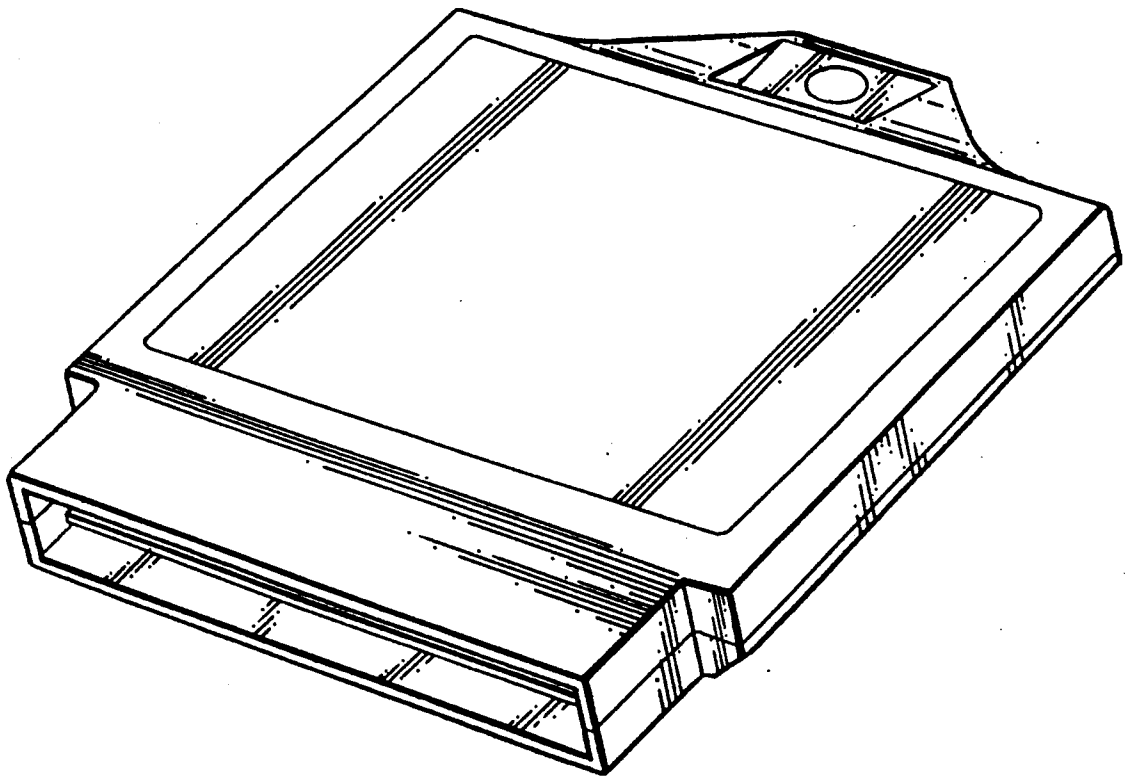


FIG - 1

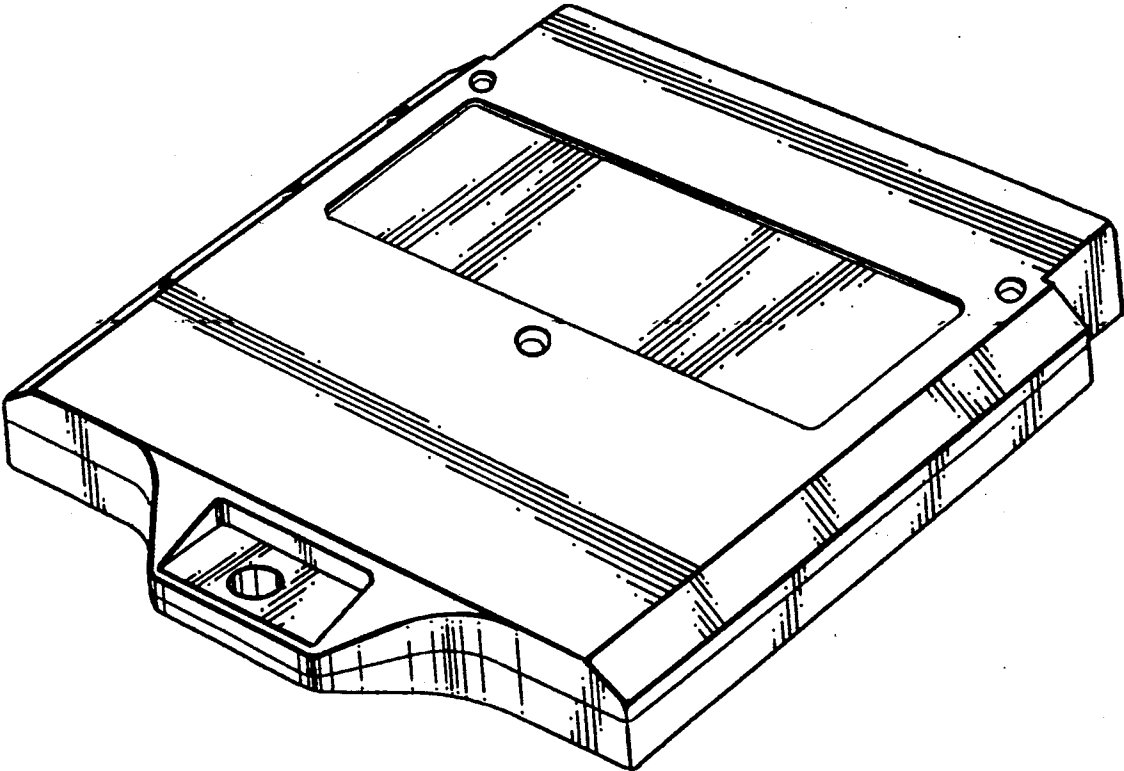


FIG - 2

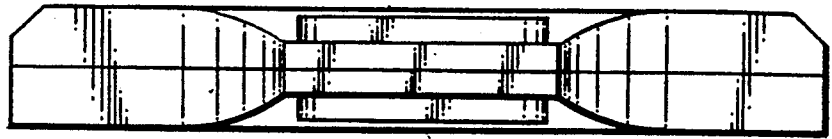


Fig- 3

Fig - 4

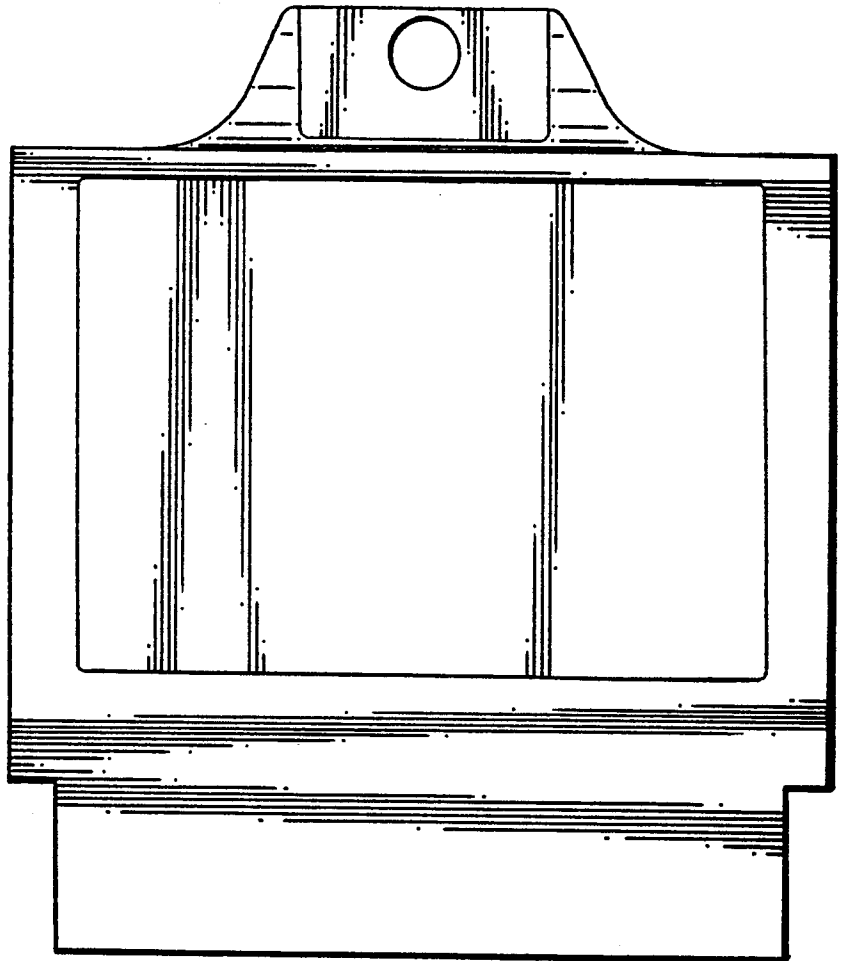
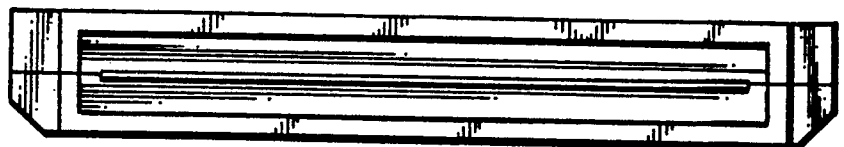


Fig - 6

Fig - 5



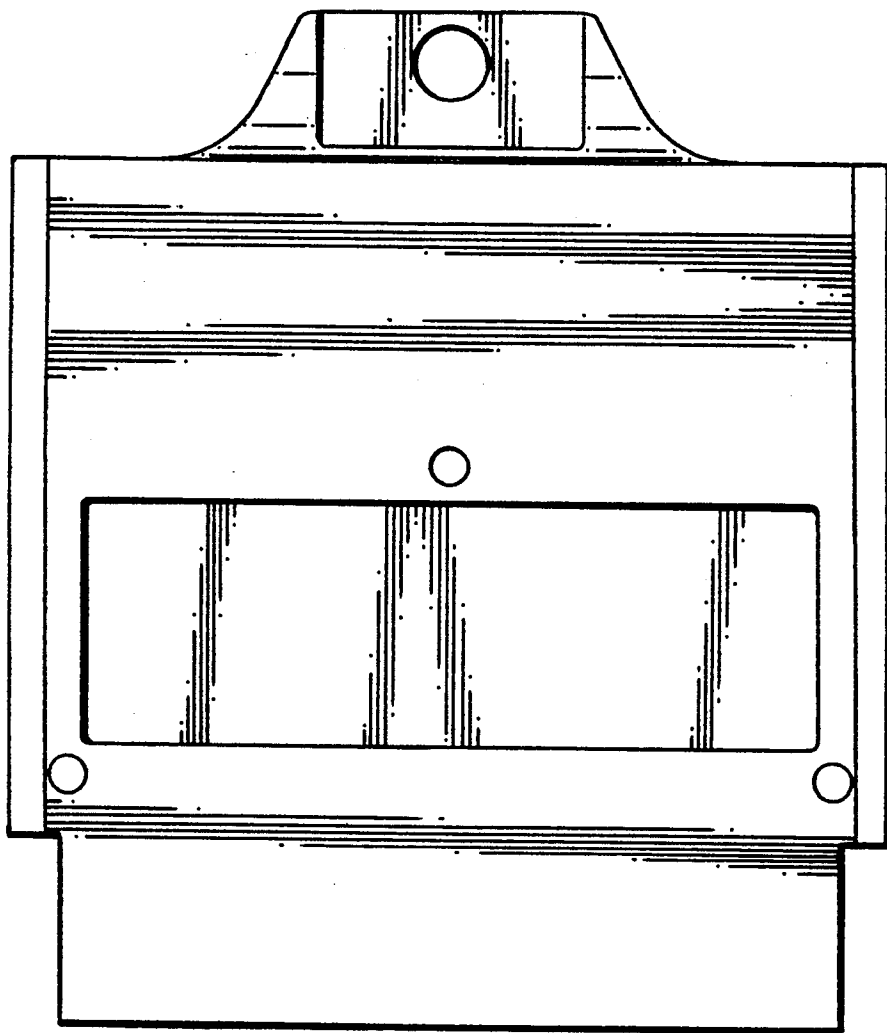


FIG - 7