



US00D696644S

(12) **United States Design Patent**
Sejпка

(10) **Patent No.:** **US D696,644 S**

(45) **Date of Patent:** **** Dec. 31, 2013**

(54) **HEADPHONES**

(71) Applicant: **Harman International Industries, Incorporated**, Northridge, CA (US)

(72) Inventor: **Markus Sejпка**, Vienna (AT)

(73) Assignee: **Harman International Industries, Incorporated**, Northridge, CA (US)

(**) Term: **14 Years**

(21) Appl. No.: **29/432,688**

(22) Filed: **Sep. 19, 2012**

(51) **LOC (9) Cl.** **14-01**

(52) **U.S. Cl.**
USPC **D14/205**

(58) **Field of Classification Search**
USPC D14/205, 206, 223, 188, 192; 181/129,
181/130, 135; 379/430, 431; 381/380, 381,
381/385, 388, 367, 412, 366, 171, 374;
455/90.3, 575.1

See application file for complete search history.

(56) **References Cited**

U.S. PATENT DOCUMENTS

D255,352 S *	6/1980	Besasie	D14/205
4,385,209 A *	5/1983	Greason et al.	381/113
4,409,442 A *	10/1983	Kamimura	381/383
5,018,599 A *	5/1991	Dohi et al.	181/129
D328,461 S *	8/1992	Daido et al.	D14/205
D373,360 S *	9/1996	Kanno	D14/205
D484,485 S *	12/2003	Matsuoka	D14/205
6,654,966 B2 *	12/2003	Rolla	2/209
D510,335 S *	10/2005	Suzuki	D14/205
D512,708 S *	12/2005	Harris et al.	D14/205
D538,261 S *	3/2007	Taylor et al.	D14/205
D549,688 S *	8/2007	Suzuki	D14/205
D563,382 S *	3/2008	Wikel	D14/205
D573,581 S *	7/2008	Gondo et al.	D14/205

D585,872 S *	2/2009	Lee	D14/205
D588,100 S *	3/2009	Densho et al.	D14/205
D597,070 S *	7/2009	Zheng	D14/205
7,580,539 B2 *	8/2009	Tachikawa	381/374
D625,705 S *	10/2010	Ohori et al.	D14/205
D634,732 S *	3/2011	Kondo et al.	D14/205
D635,958 S *	4/2011	Ando et al.	D14/205
D639,776 S *	6/2011	Arimoto	D14/205
D652,406 S *	1/2012	Lee et al.	D14/205
D662,080 S *	6/2012	Carr et al.	D14/205
D673,519 S *	1/2013	Tan	D14/205
D686,190 S *	7/2013	Karacal et al.	D14/205
D686,592 S *	7/2013	Gondo	D14/205
D689,463 S *	9/2013	Hardi et al.	D14/205

* cited by examiner

Primary Examiner — Paula Greene

(74) *Attorney, Agent, or Firm* — Plumsea Law Group, LLC

(57) **CLAIM**

The ornamental design for headphones, as shown and described.

DESCRIPTION

FIG. 1 is a perspective view of headphones showing my new design;

FIG. 2 is a front elevational view thereof;

FIG. 3 is a side elevational view thereof;

FIG. 4 is a top plan view thereof;

FIG. 5 is a perspective view of a second embodiment of headphones showing my new design;

FIG. 6 is a front elevational view thereof;

FIG. 7 is a side elevational view thereof;

FIG. 8 is a top plan view thereof;

FIG. 9 is a perspective view of a third embodiment of headphones showing my new design;

FIG. 10 is a front elevational view thereof;

FIG. 11 is a side elevational view thereof; and,

FIG. 12 is a top plan view thereof.

1 Claim, 12 Drawing Sheets

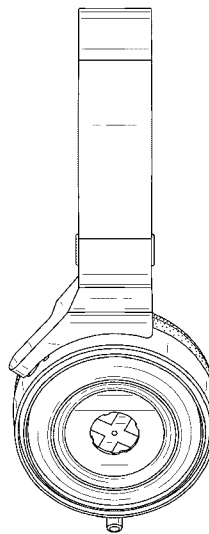
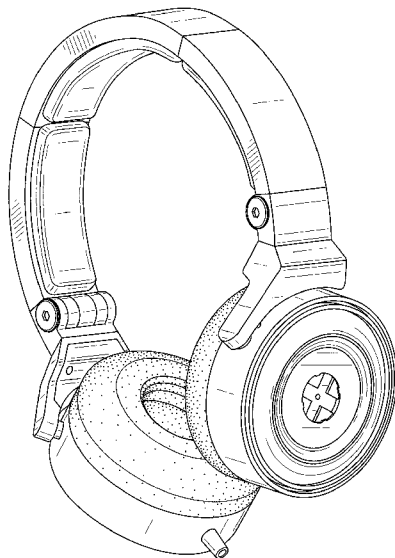




FIG. 1



FIG. 2

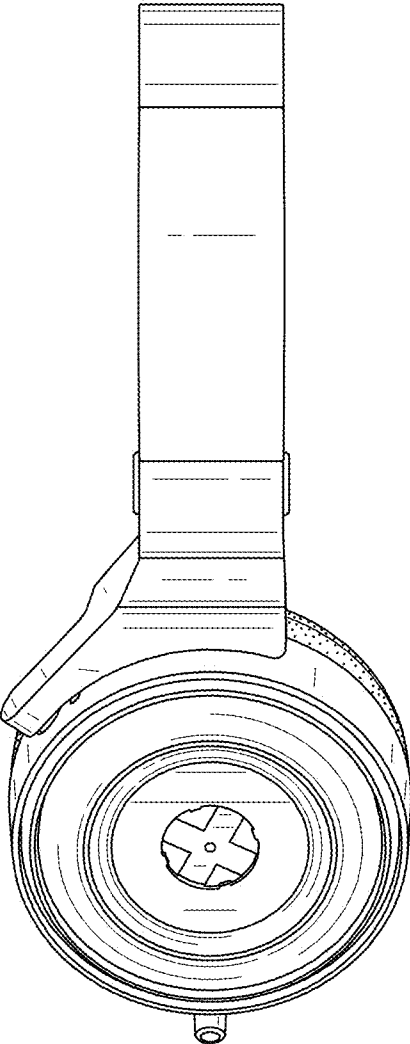


FIG. 3

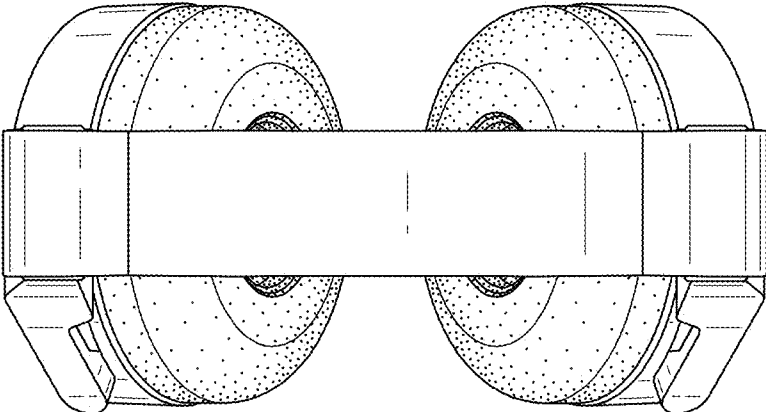


FIG. 4



FIG. 5

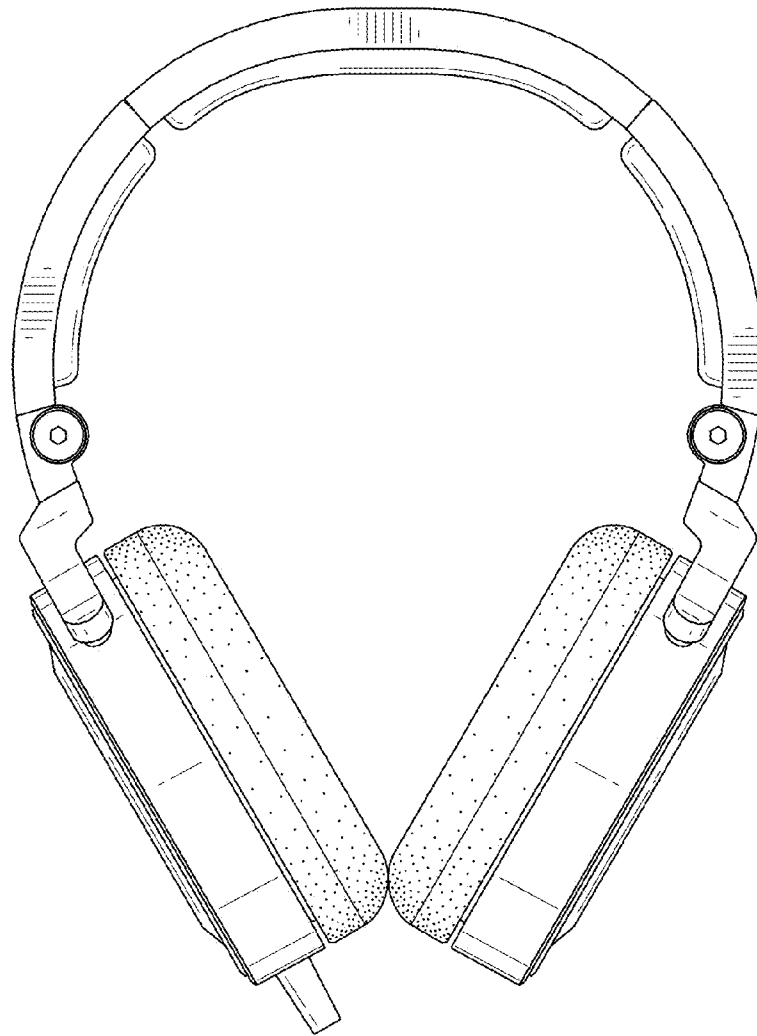


FIG. 6

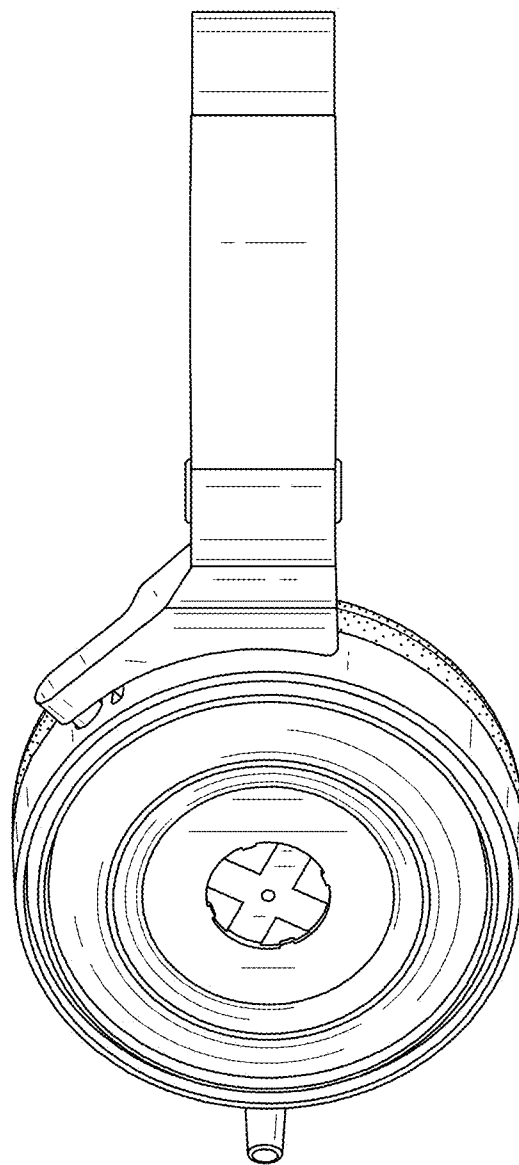


FIG. 7

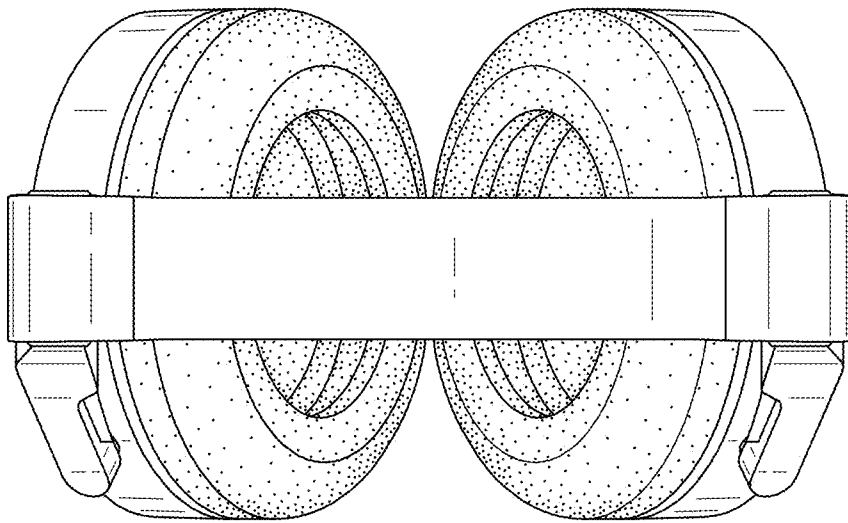


FIG. 8

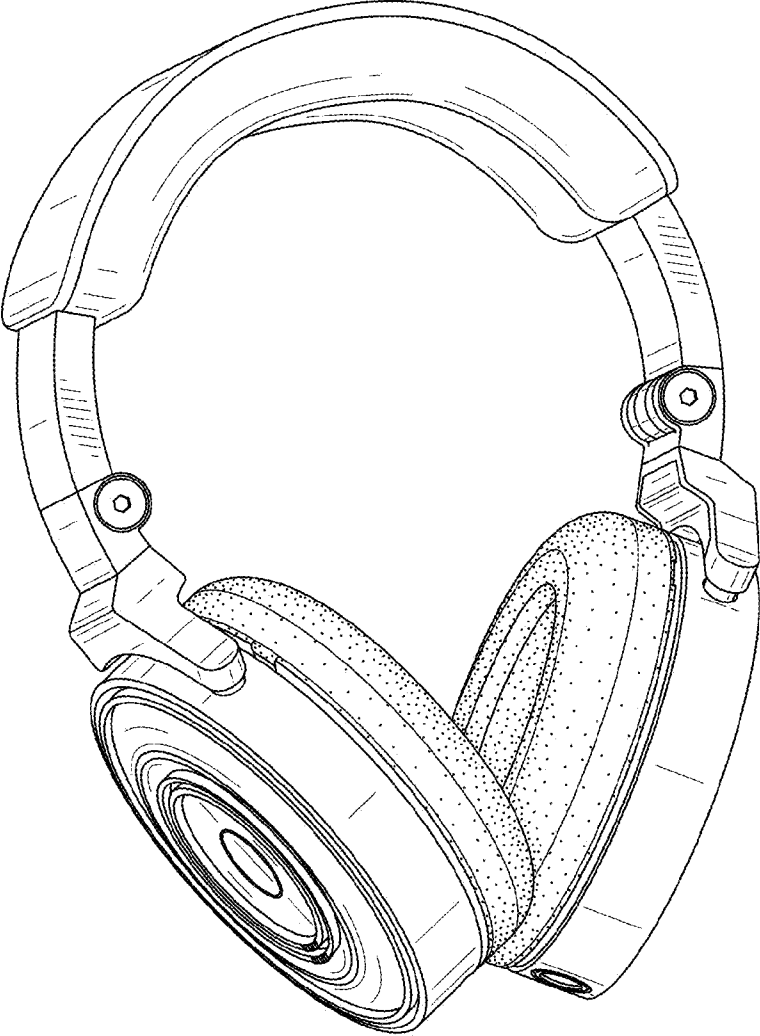


FIG. 9



FIG. 10

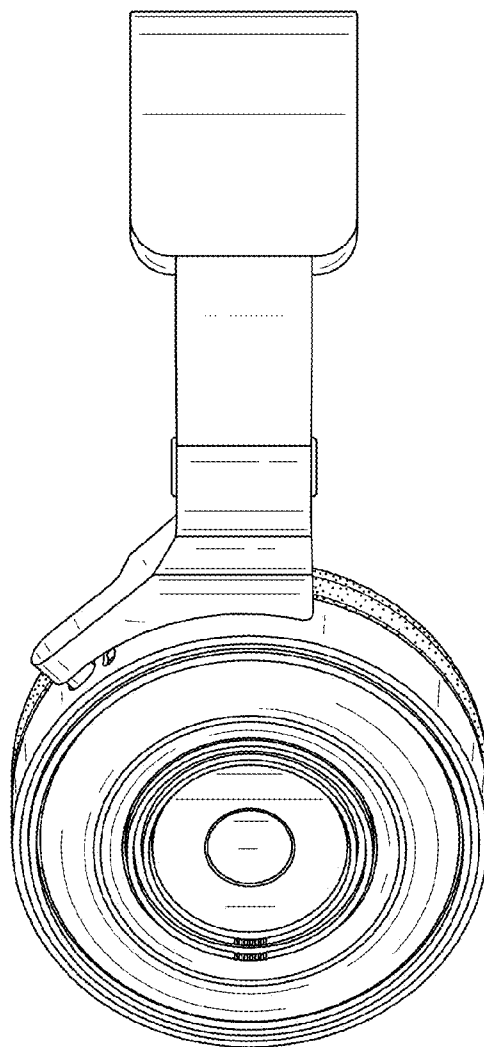


FIG. 11

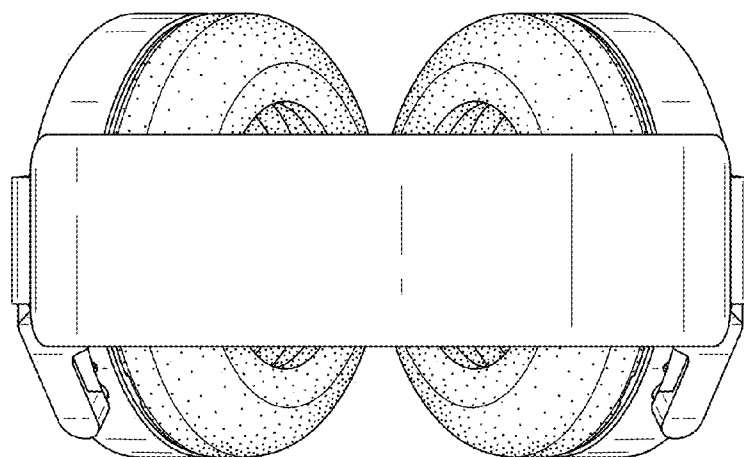


FIG. 12