



US00D487258S

(12) **United States Design Patent** (10) **Patent No.:** **US D487,258 S**
Fuxen (45) **Date of Patent:** **** Mar. 2, 2004**

(54) **MOBILE TELEPHONE TERMINAL**

(75) Inventor: **David Fuxen**, München (DE)

(73) Assignee: **Siemens Aktiengesellschaft**, Munich (DE)

(**) Term: **14 Years**

(21) Appl. No.: **29/171,884**

(22) Filed: **Dec. 2, 2002**

(30) **Foreign Application Priority Data**

Jul. 26, 2002 (DE) 4 02 06 306

(51) **LOC (7) Cl.** **14-03**

(52) **U.S. Cl.** **D14/138**

(58) **Field of Search** D14/137, 138,
D14/218, 147-148, 247-248, 144, 341-347;
379/433.01-433.13, 419, 434, 428.01-428.04,
420.01-420.04, 440; 455/550.1-90.3; D21/517

(56) **References Cited**

U.S. PATENT DOCUMENTS

- D353,809 S * 12/1994 Nuovo et al. D14/138
- D401,929 S * 12/1998 Lucaci et al. D14/138
- D406,135 S * 2/1999 Nagano et al. D14/138
- D407,701 S * 4/1999 Chintala et al. D14/138
- D408,398 S * 4/1999 Arnold D14/138
- D408,400 S * 4/1999 Dalby et al. D14/138
- D412,704 S * 8/1999 Vuolteenaho et al. D14/138
- D415,489 S * 10/1999 Ke D14/138
- D425,057 S * 5/2000 Finkbeiner D14/138
- D426,531 S * 6/2000 Chikaraishi et al. D14/138
- D430,127 S * 8/2000 Collins et al. D14/138
- D430,858 S * 9/2000 Nakahara et al. D14/138
- 6,131,018 A * 10/2000 De Crouy-Chanel
et al. 455/572
- D433,398 S * 11/2000 Meyer et al. D14/138
- D434,016 S * 11/2000 Hunt D14/138
- D434,743 S * 12/2000 Wei D14/138
- D435,529 S * 12/2000 Lai D14/138
- D436,582 S * 1/2001 Angele D14/138
- D436,584 S * 1/2001 Jen D14/138
- D436,938 S * 1/2001 Won D14/138

- D439,573 S * 3/2001 DeLeon D14/138
- D445,102 S * 7/2001 Lai D14/138
- D449,588 S * 10/2001 Park D14/138
- D450,671 S * 11/2001 Langford et al. D14/138
- D450,673 S * 11/2001 Obradovich et al. D14/138
- D456,375 S * 4/2002 Vuolteenaho et al. D14/138
- D458,912 S * 6/2002 DeLeon D14/138
- D459,324 S * 6/2002 Ahlgren D14/138

(List continued on next page.)

OTHER PUBLICATIONS

DM/062784, Feb. 7, 2003, 1pg, found with Locarno class search of 14-03 at the Hague Structured Search Page, http://www.wipo.org/hague/en/services/guest_access.html.*

(List continued on next page.)

Primary Examiner—Jeffrey Asch

(74) *Attorney, Agent, or Firm*—Bell, Boyd & Lloyd LLC

(57) **CLAIM**

The ornamental design for a mobile telephone terminal, as shown and described.

DESCRIPTION

FIG. 1 is a front elevational view of a mobile telephone terminal of the claimed design.

FIG. 2 is a rear elevational view of the mobile telephone terminal of FIG. 1.

FIG. 3 is a top view of the mobile telephone terminal of FIG. 1.

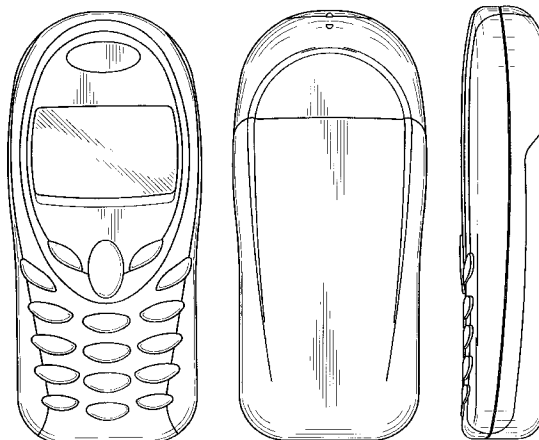
FIG. 4 is a bottom view of the mobile telephone terminal of FIG. 1.

FIG. 5 is a right side view of the mobile telephone terminal of FIG. 1.

FIG. 6 is a left side view of the mobile telephone terminal of FIG. 1; and,

FIG. 7 is a perspective view of the mobile telephone terminal of FIG. 1.

1 Claim, 7 Drawing Sheets



U.S. PATENT DOCUMENTS

D459,328	S	*	6/2002	Kurimoto	D14/138
D460,057	S	*	7/2002	Hunt	D14/138
6,480,726	B1	*	11/2002	Sato et al.	455/566
D470,117	S	*	2/2003	Langford	D14/138
D472,535	S	*	4/2003	Ludwig	D14/138
D474,167	S	*	5/2003	Lee et al.	D14/138
D476,301	S	*	6/2003	Langford	D14/138
D477,582	S	*	7/2003	Muenschler et al.	D14/147

OTHER PUBLICATIONS

DM/061608, Aug. 26, 2002, 1pg, found with Locarno class search of 14-03 at the Hauge Structured Search Page, http://www.wipo.org/hague/en/services/guest_access.html.*

DM/062482, Dec. 16, 2002, 1pg, found with Locarno class search of 14-03 at the Hauge Structured Search Page, http://www.wipo.org/hague/en/services/guest_access.html.*

DM/062798, Feb. 12, 2003, 2pp, found with Locarno class search of 14-03 at the Hauge Structured Search Page, http://www.wipo.org/hague/en/services/guest_access.html.*

DM/061831, Oct. 30, 2002, 1pg, found with Locarno class search of 14-03 at the Hauge Structured Search Page, http://www.wipo.org/hague/en/services/guest_access.html.*

DM/062133, Nov. 29, 2002, 1pg, found with Locarno class search of 14-03 at the Hauge Structured Search Page, http://www.wipo.org/hague/en/services/guest_access.html.*

DM/060788, May 3, 2002, 3pp, found with Locarno class search of 14-03 at the Hauge Structured Search Page, http://www.wipo.org/hague/en/services/guest_access.html.*

* cited by examiner

FIG. 1

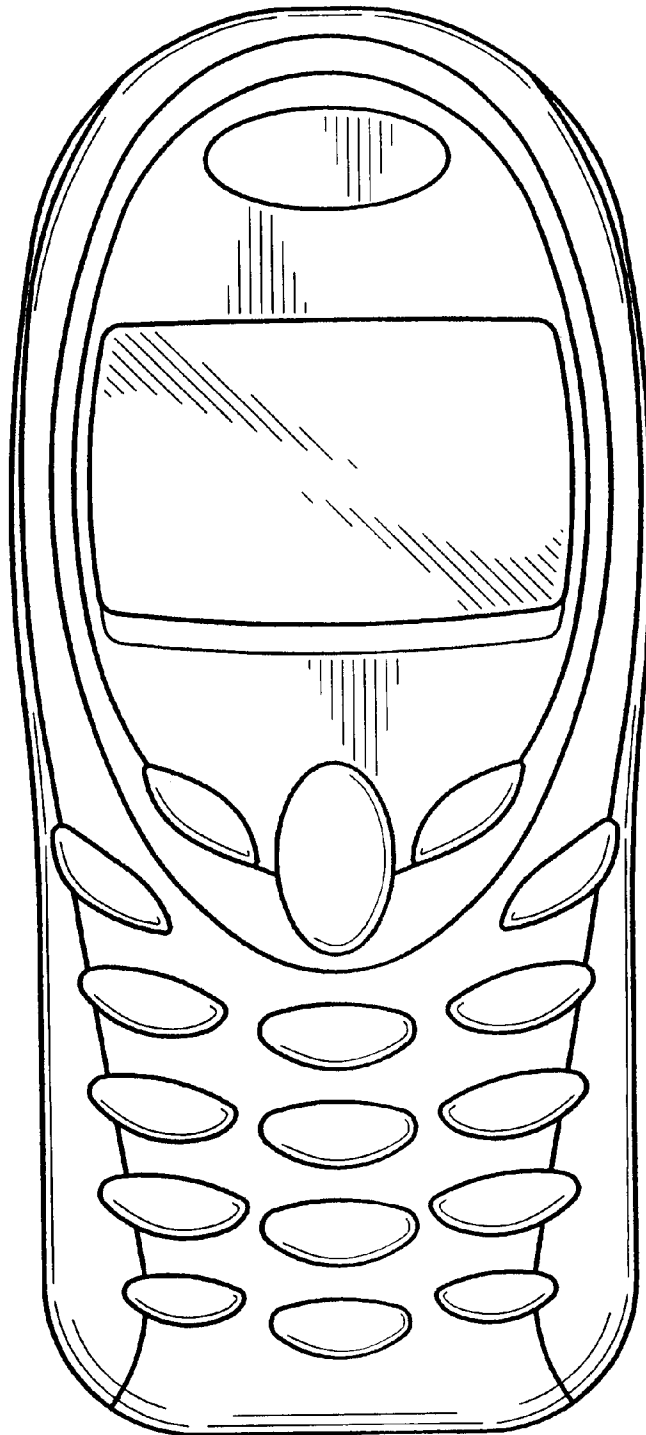


FIG. 2

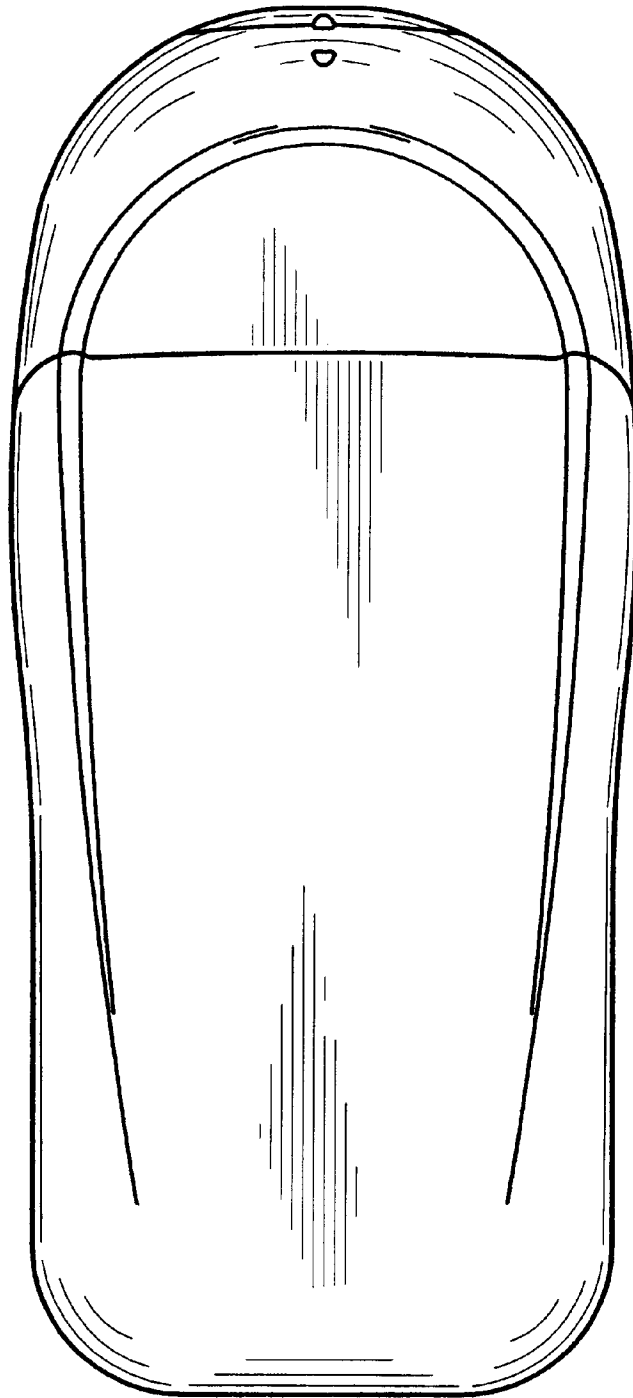


FIG. 3

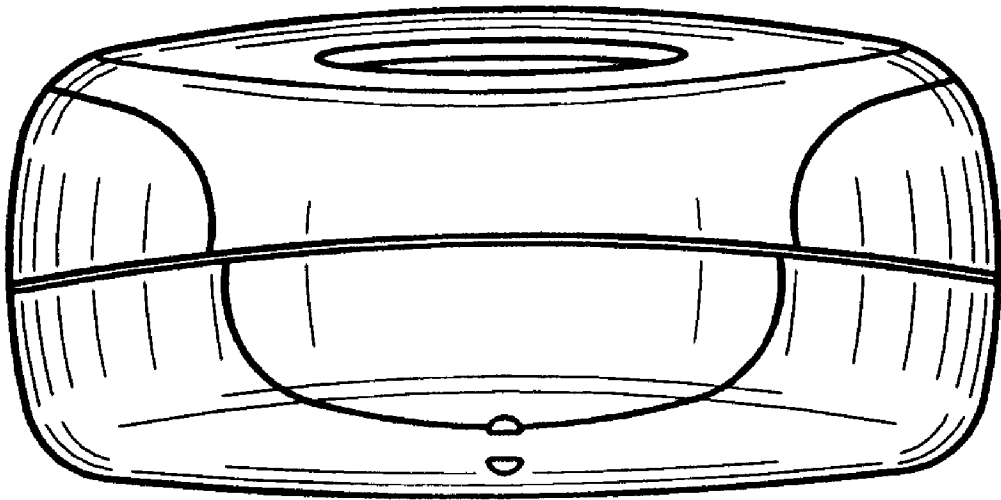


FIG. 4

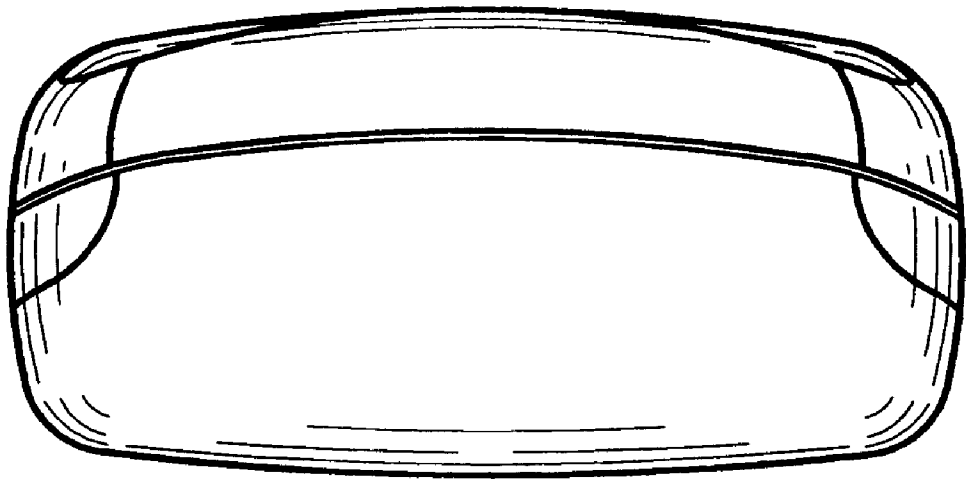


FIG. 5



FIG. 6

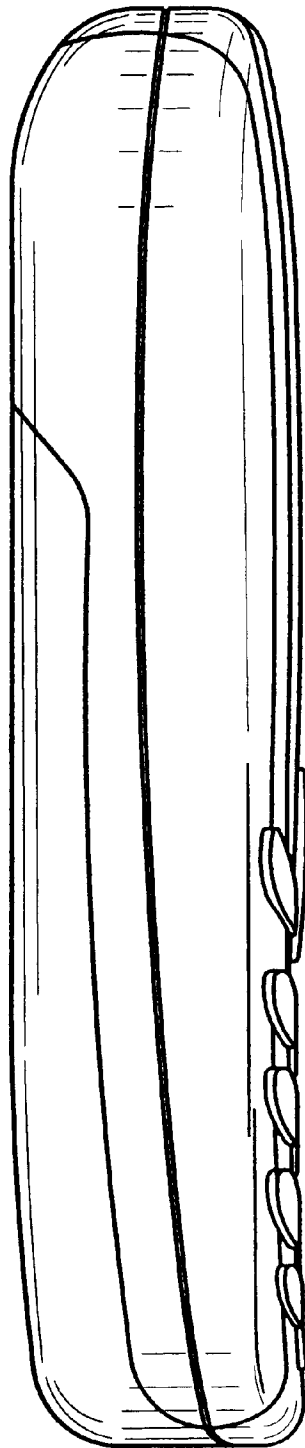


FIG. 7

