

[54] HOOK

[76] Inventor: Bruce R. Thompson, 32 Shakespeare Ave., Tranmere, South Australia, Australia

[**] Term: 14 Years

[21] Appl. No.: 678,382

[22] Filed: Dec. 6, 1984

Related U.S. Application Data

[63] Continuation of Ser. No. 446,858, Dec. 3, 1982, abandoned.

[30] Foreign Application Priority Data

Oct. 12, 1982 [AU] Australia 1821/82
[52] U.S. Cl. D6/323; D6/524; D6/546; D6/567; D8/367
[58] Field of Search D6/323, 524, 567, 86, D6/102, 120, 114; 211/87; 248/301, 304, 215; D8/367; 242/55.2, 55.3

[56]

References Cited

U.S. PATENT DOCUMENTS

Table with 4 columns: Patent No., Date, Inventor, and Reference No. Includes entries for Halsted, Thompson, Knapp, Ramquist, and Mason.

Primary Examiner—B. J. Bullock
Assistant Examiner—Suzanne N. Gitlin
Attorney, Agent, or Firm—McDougall, Hersh & Scott

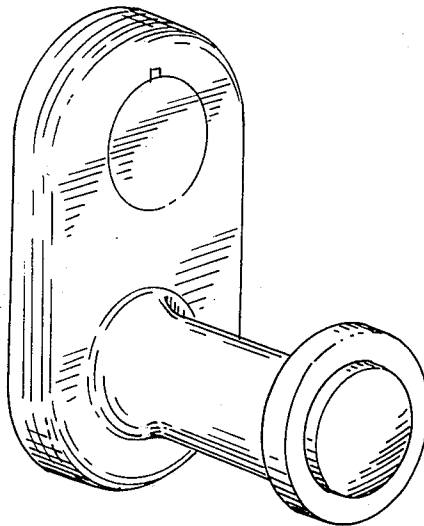
[57]

CLAIM

The ornamental design for a hook, as shown.

DESCRIPTION

FIG. 1 is a perspective view of a hook showing my new design;
FIG. 2 is a side elevational view taken from the left of FIG. 1;
FIG. 3 is a right side elevational view taken from the right of FIG. 1;
FIG. 4 is a front elevational view thereof;
FIG. 5 is a rear elevational view thereof;
FIG. 6 is a top plan view thereof;
FIG. 7 is a bottom plan view thereof.



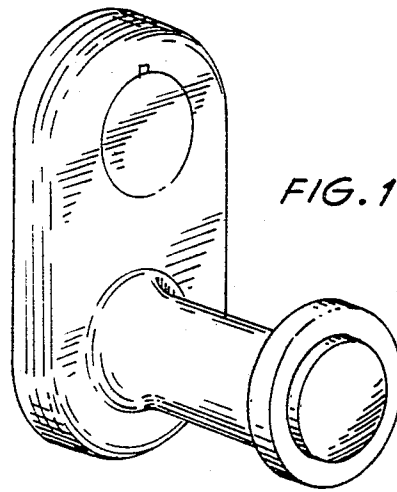


FIG. 1

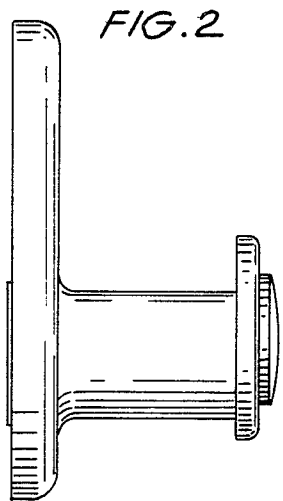


FIG. 2

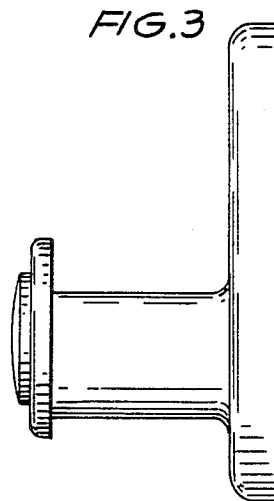


FIG. 3

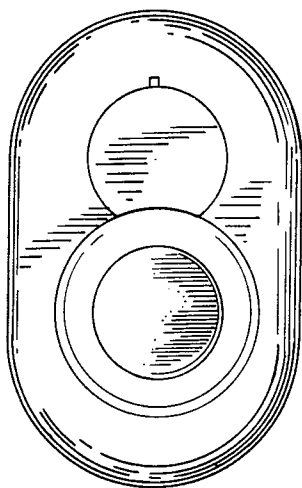


FIG. 4

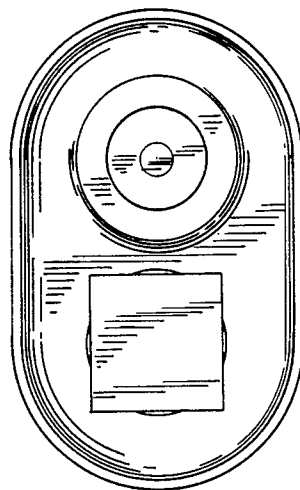


FIG. 5

FIG. 6

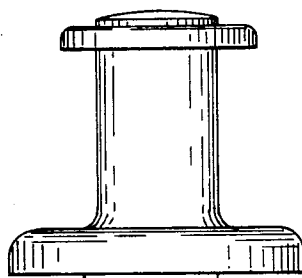


FIG. 7

