



US00D837879S

(12) **United States Design Patent**
Wawreczka et al.

(10) **Patent No.:** **US D837,879 S**
(45) **Date of Patent:** **** Jan. 8, 2019**

- (54) **PEN WITH HOLDER**
- (71) Applicant: **Infinity innovative s.r.o.**, Trinec—Stare Mesto (CZ)
- (72) Inventors: **Karel Wawreczka**, Karvina-Frystat (CZ); **Marek Schwarz**, Karvina-Frystat (CZ)
- (73) Assignee: **INFINITY INNOVATIVE S.R.O.** (CZ)
- (**) Term: **15 Years**
- (21) Appl. No.: **29/609,143**
- (22) Filed: **Jun. 28, 2017**

- D263,561 S * 3/1982 Wong D3/295
 - D303,765 S * 10/1989 Kaplan D9/423
 - 4,928,817 A * 5/1990 Focke B65D 71/0085
206/242
 - 5,044,494 A * 9/1991 Tamura A61B 42/40
206/299
 - D369,295 S * 4/1996 Kobari D9/423
- (Continued)

- (30) **Foreign Application Priority Data**
- Mar. 1, 2017 (EM) 003778315
- (51) **LOC (11) Cl.** **19-06**
- (52) **U.S. Cl.**
USPC **D19/135; D19/83**
- (58) **Field of Classification Search**
USPC D19/77, 81–85, 115–204; D14/411;
D9/414, 432, 426; D3/206
CPC .. B43K 23/001; B43K 23/002; B43K 23/004;
B43K 23/008; B43K 23/012; B43K
23/016; B43K 23/04; B43K 7/12; B43K
19/00; B43K 19/02; B43K 19/14; B43K
21/006; B43K 21/06; B43M 99/006;
B43M 99/008
See application file for complete search history.

OTHER PUBLICATIONS

Modulus—Titanium Multicolor Pen & Stylus, retrieved from the Internet Oct. 27, 2017, <https://www.kickstarter.com/projects/999105225/modulus-titanium-multicolor-pen-and-stylus>.
(Continued)

Primary Examiner — Elizabeth A. Albert
(74) *Attorney, Agent, or Firm* — Hovey Williams LLP;
Joan Herman

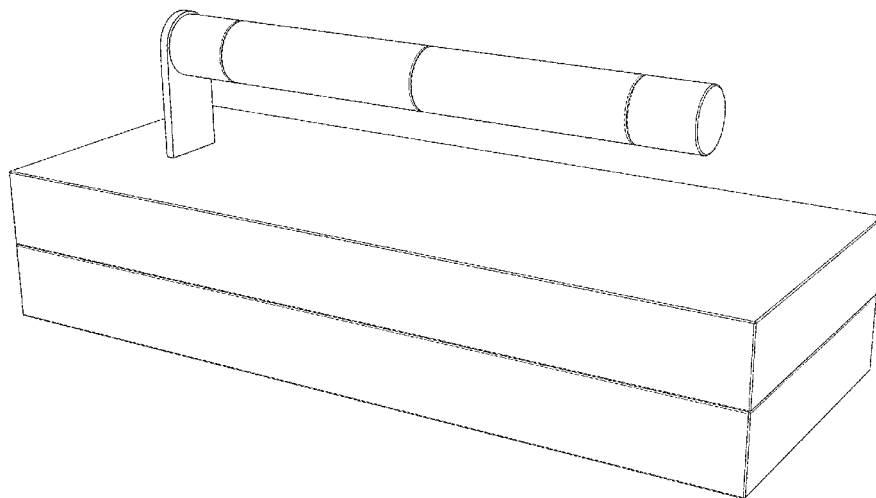
(57) **CLAIM**
The ornamental design for a pen with holder, as shown and described.

DESCRIPTION

FIG. 1 is an upper front perspective of a pen with holder embodying our design;
FIG. 2 is a front elevation of the pen with holder shown in FIG. 1;
FIG. 3 is a right side elevation of the pen with holder shown in FIGS. 1 and 2;
FIG. 4 is a rear elevation of the pen with holder shown in FIGS. 1-3;
FIG. 5 is a left side elevation of the pen with holder shown in FIGS. 1-4;
FIG. 6 is a top view of the pen with holder shown in FIGS. 1-5; and,
FIG. 7 is a bottom view of the pen with holder shown in FIGS. 1-6.

1 Claim, 4 Drawing Sheets

- (56) **References Cited**
- U.S. PATENT DOCUMENTS
- 1,046,337 A * 12/1912 Schoettle B65D 5/5253
229/120.012
- D175,548 S * 9/1955 Kane D19/71
- D207,279 S * 3/1967 Sellen et al. D3/206
- D218,401 S * 8/1970 Segel D9/414



(56)

References Cited

U.S. PATENT DOCUMENTS

5,586,694 A * 12/1996 Breidenbach A45D 34/02
222/183
D389,639 S * 1/1998 Priebe D3/203.8
D397,869 S * 9/1998 Minhas D3/274
D579,195 S * 10/2008 Kagawa D3/203.1
8,545,120 B2 * 10/2013 Breidenbach A45D 34/06
401/17
D758,851 S * 6/2016 Binder D9/432
D761,123 S * 7/2016 Breidenbach D28/7
D762,487 S * 8/2016 Safiullin D9/756
D772,559 S * 11/2016 Binder D3/203.6
D795,083 S * 8/2017 Safiullin D9/756

OTHER PUBLICATIONS

Penultimate Levitating Pen, retrieved from the Internet Oct. 27, 2017, <https://www.scientificsonline.com/product/penultimate-levitating-pen>.

* cited by examiner

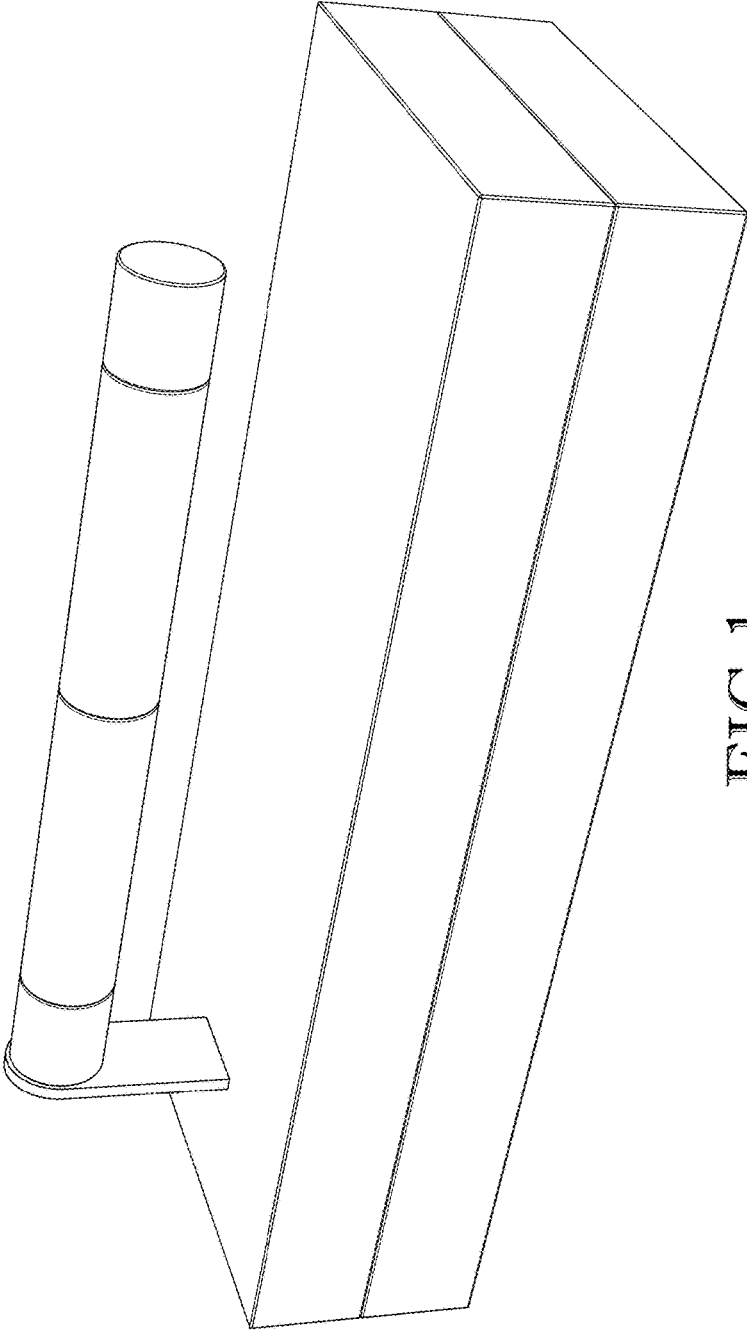


FIG. 1

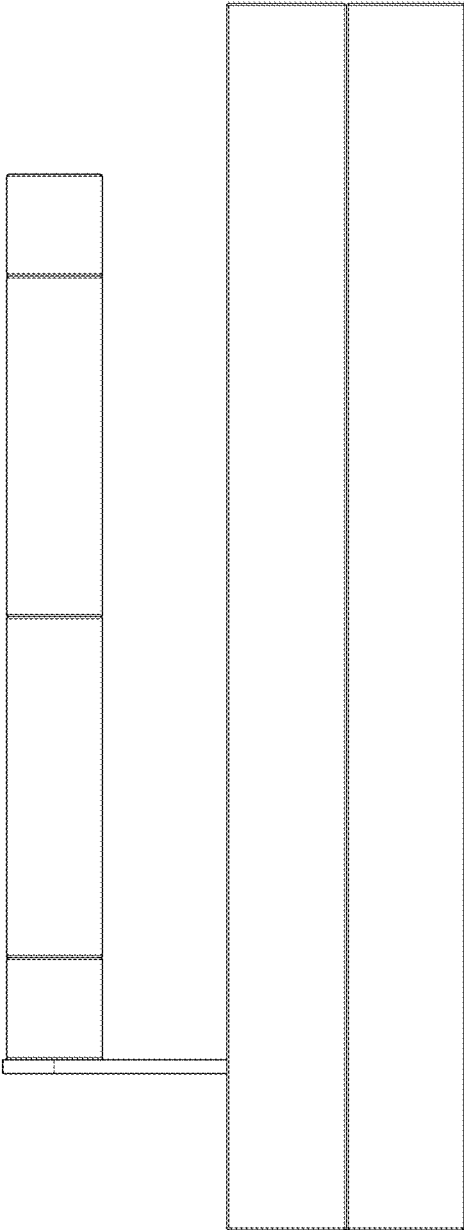


FIG. 2

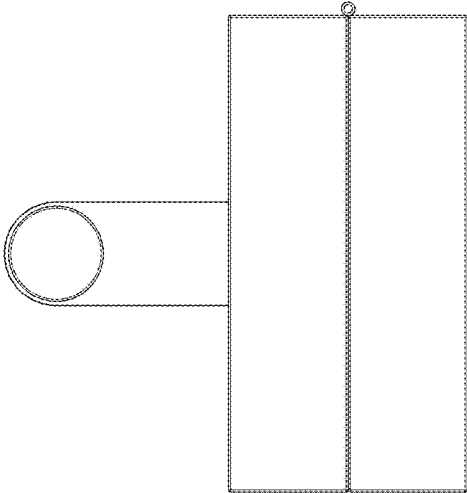


FIG. 3

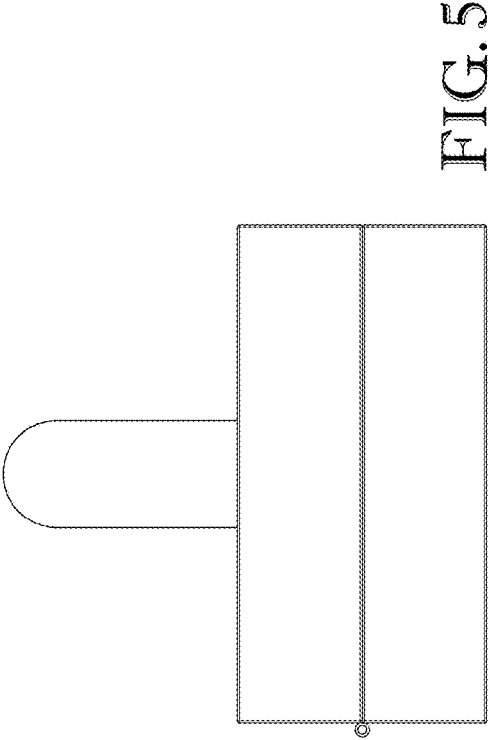
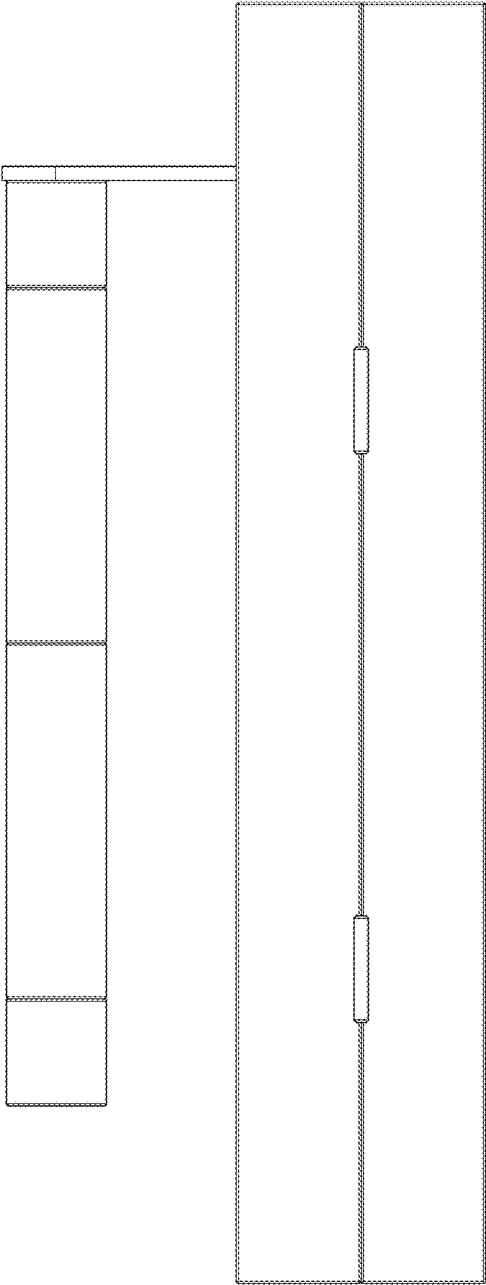


FIG. 6

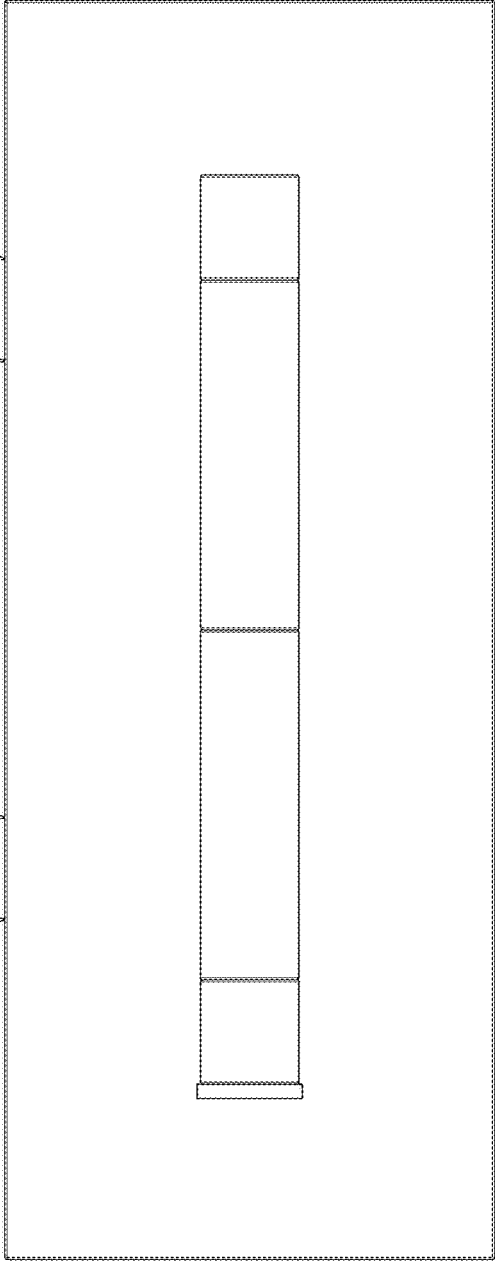


FIG. 7

