



US00D416261S

United States Patent [19]

[11] Patent Number: Des. 416,261

Gerba et al.

[45] Date of Patent: ** Nov. 9, 1999

[54] THREE SIDED REMOTE CONTROL

D. 384,939	10/1997	Schaffner	D13/168
D. 386,185	11/1997	Cho	D14/217
D. 388,792	1/1998	Nykerk	D14/218
D. 406,568	3/1999	Harmuth et al.	D13/168

[75] Inventors: **George Gerba**, Venice; **Margeigh Joy**, San Francisco; **Howard Meiseles**, Stevenson Ranch; **Michael Nichols**, Altadena; **Drew Takahashi**, San Mateo, all of Calif.

OTHER PUBLICATIONS

International Business Machines Corporation, "IBM Aptiva Computer Setup Poster," with illustration showing PC Remote, printed, Aug., 1997.

[73] Assignee: **Corporate Media Partners**, Los Angeles, Calif.

Primary Examiner—Louis S. Zarfaz
Assistant Examiner—Gregory Andoll
Attorney, Agent, or Firm—Brown Raysman Millstein Felder & Steiner LLP

[**] Term: **14 Years**

[21] Appl. No.: **29/084,867**

[57] CLAIM

[22] Filed: **Mar. 12, 1998**

The ornamental design for a three sided remote control, as shown and described.

[51] LOC (6) Cl. **14-03**

[52] U.S. Cl. **D14/218**

[58] Field of Search D14/124, 217, D14/218, 299; D10/104, 106; D13/168; D21/333, 329; 348/734; 455/151.1-151.4, 152.1, 352-355; 200/331

DESCRIPTION

FIG. 1 is a front and right side perspective view of a three sided remote control showing our new design; FIG. 2 is a front elevational view thereof; FIG. 3 is a back and right side perspective view thereof; FIG. 4 is a back elevational view thereof; FIG. 5 is a right side elevational view thereof; FIG. 6 is a left side elevational view thereof; FIG. 7 is a top elevational view thereof; and, FIG. 8 is a bottom elevational view thereof.

[56] References Cited

U.S. PATENT DOCUMENTS

D. 222,966	2/1972	Hawkins et al.	D13/168
D. 266,501	10/1982	Stefanik	D13/168
D. 364,872	12/1995	Schwartz	D14/218
D. 375,748	11/1996	Hartman	D14/218
D. 377,797	2/1997	Stropkay et al.	D14/218

1 Claim, 6 Drawing Sheets

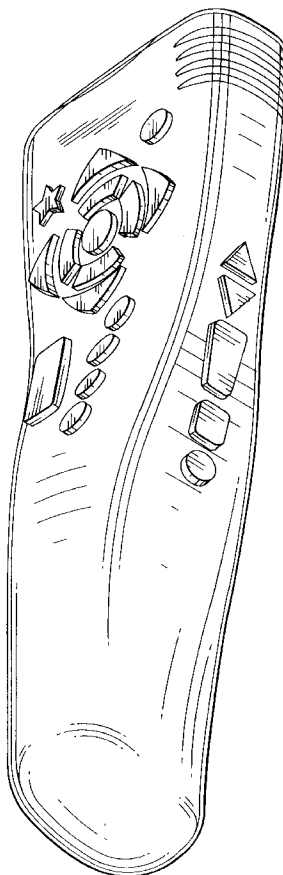


FIG. 1

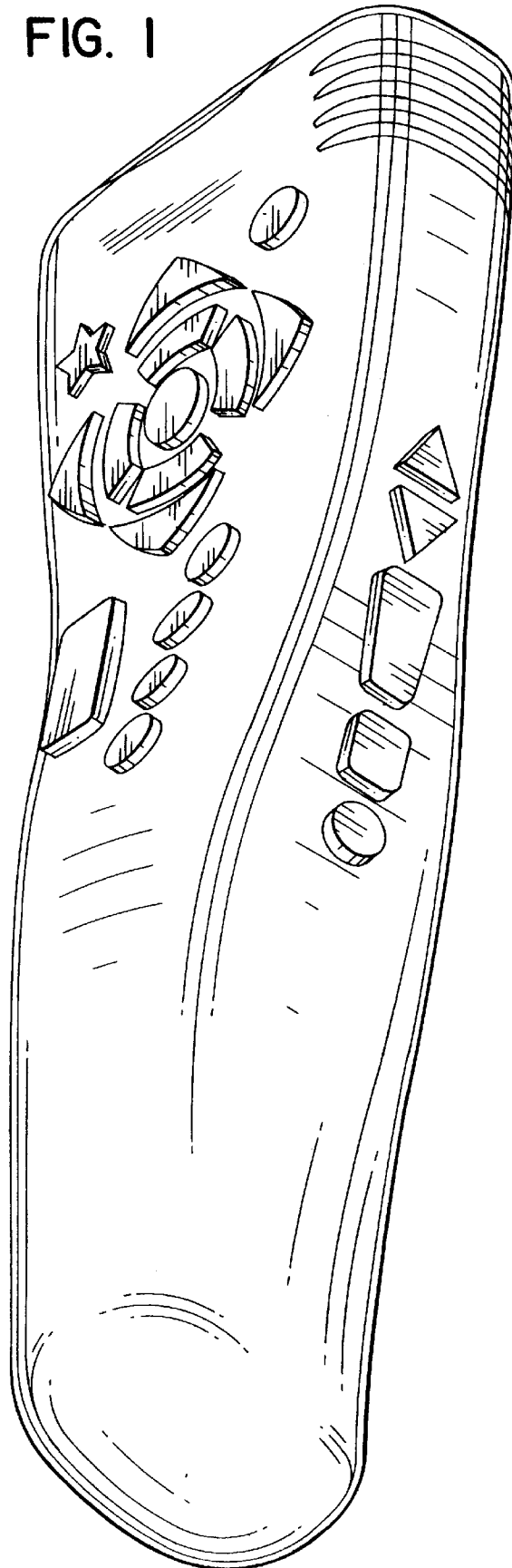
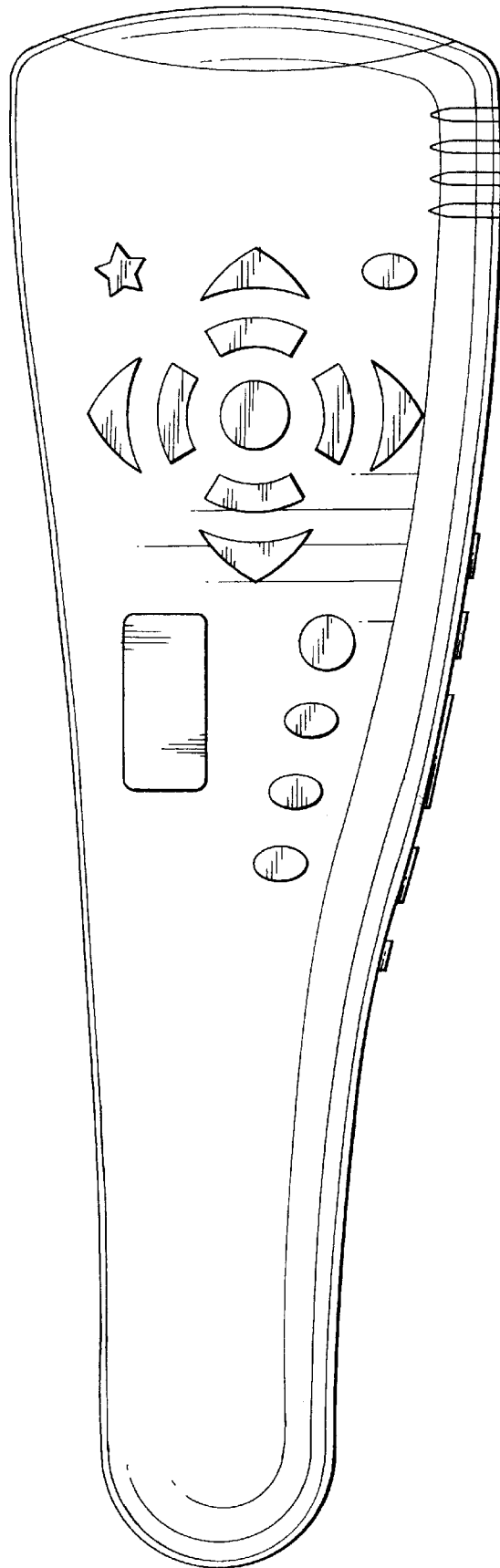


FIG. 2



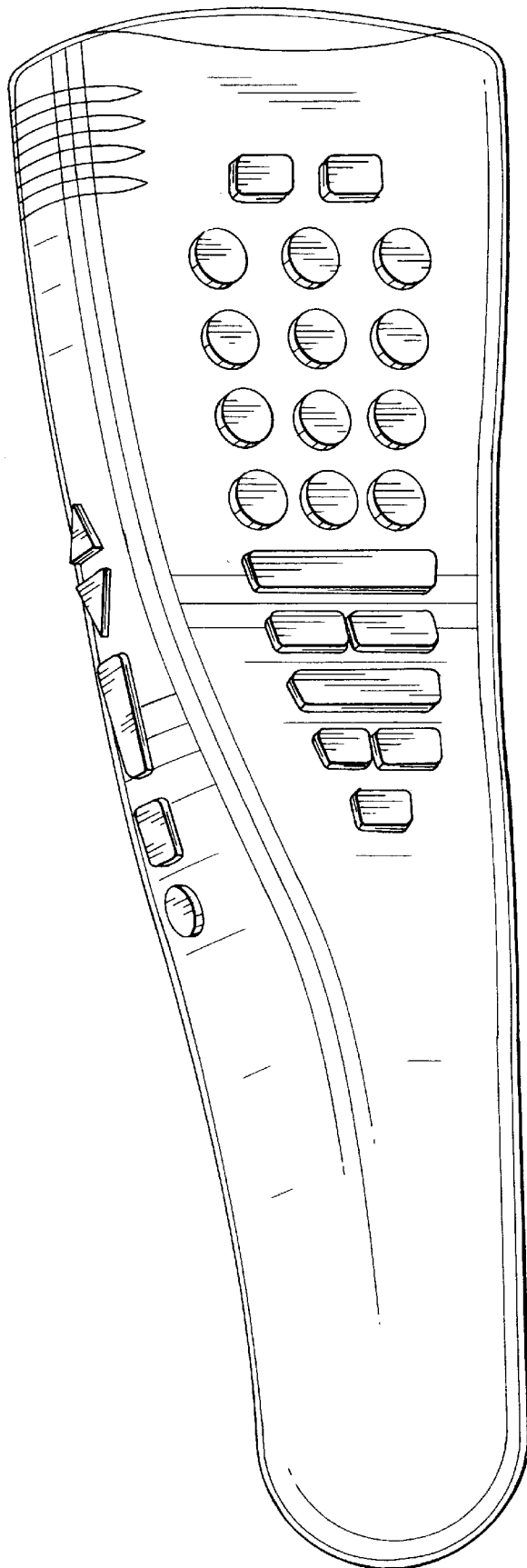
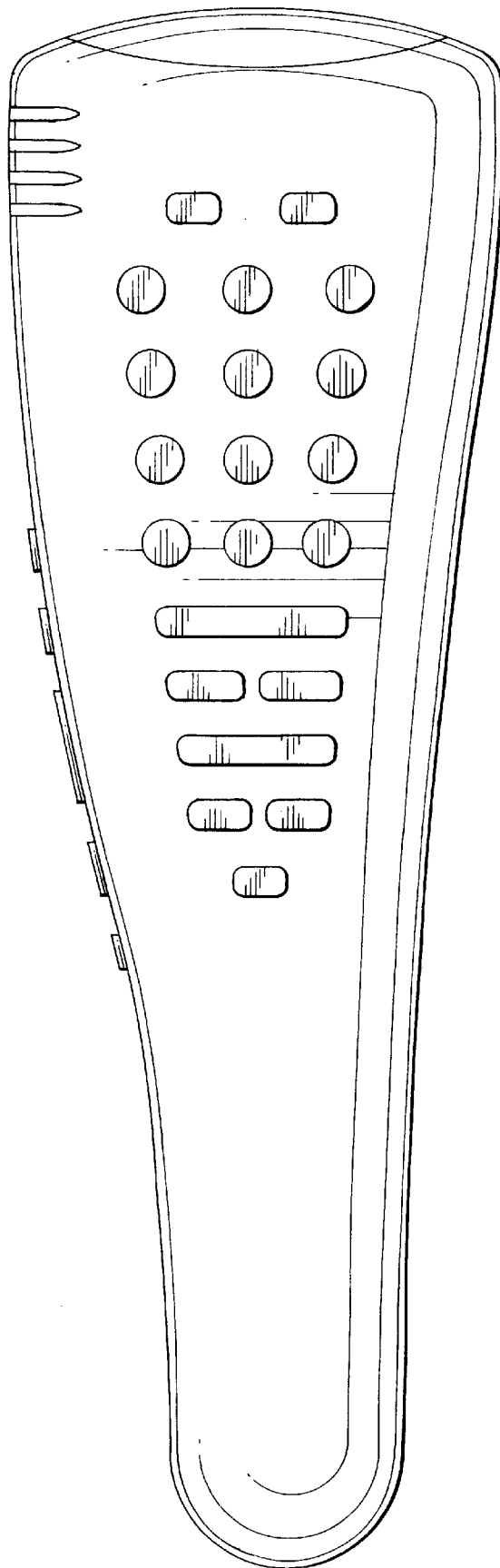


FIG. 3

FIG. 4



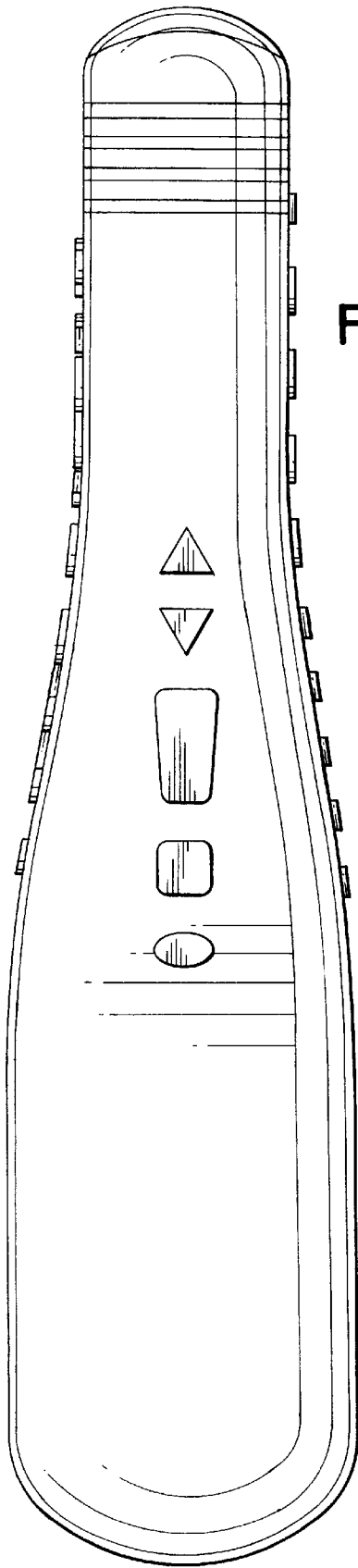


FIG. 5

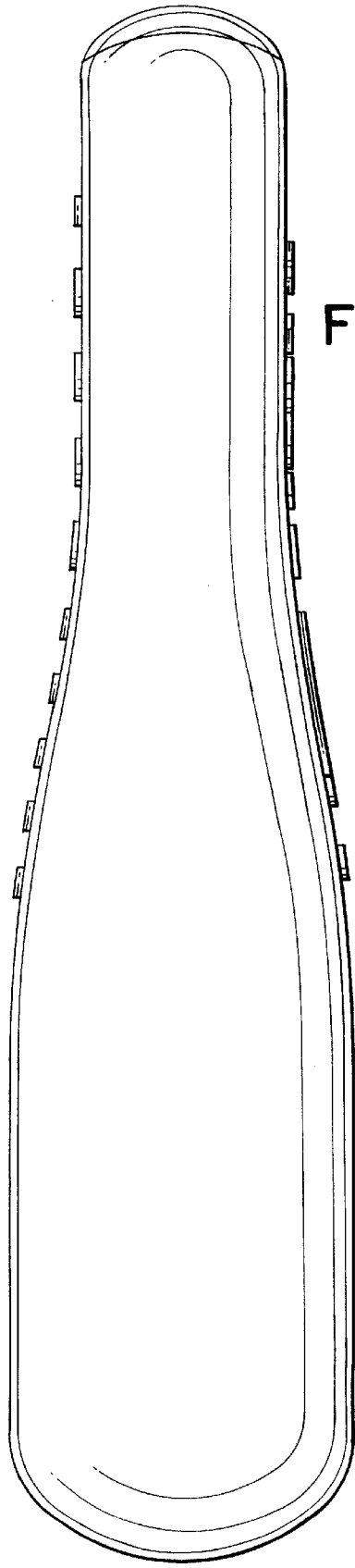


FIG. 6

FIG. 7

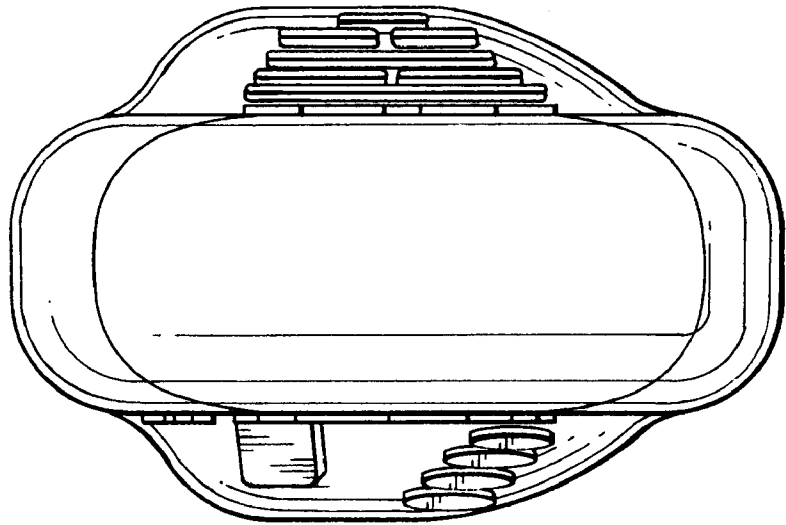


FIG. 8

