



US00D486290S

(12) **United States Design Patent** (10) **Patent No.:** **US D486,290 S**
Moncman (45) **Date of Patent:** **** Feb. 3, 2004**

(54) **COIN SCOOP**

D416,359 S * 11/1999 Schlueter D30/162

(75) Inventor: **Marjorie A. Moncman**, 6680 N. Center Rd., Saginaw, MI (US) 48603

* cited by examiner

(73) Assignee: **Marjorie A. Moncman**, Saginaw, MI (US)

Primary Examiner—Paula A. Mortimer
(74) *Attorney, Agent, or Firm*—Reising, Ethington, Barnes, Kisselle and Learman, P.C.

(**) Term: **14 Years**

(57) **CLAIM**

(21) Appl. No.: **29/181,501**

The ornamental design for a coin scoop, as shown and described.

(22) Filed: **May 12, 2003**

DESCRIPTION

(51) **LOC (7) Cl.** **99-00**

(52) **U.S. Cl.** **D99/34**

(58) **Field of Search** D99/28, 34; 43/4, 43/56; 294/1.3, 55, 59; 209/38, 417; D30/162; D7/667, 691; D21/392; D10/46.2; D8/10

FIG. 1 is a perspective view of the coin scoop;
FIG. 2 is a top plan view of the coin scoop shown in FIG. 1;
FIG. 3 is a side elevation view of the coin scoop shown in FIG. 1;
FIG. 4 is a bottom plan view of the coin scoop shown in FIG. 1;
FIG. 5 is a rear elevational view of the coin scoop shown in FIG. 1; and,
FIG. 6 is a front elevational view of the coin scoop shown in FIG. 1.

(56) **References Cited**

U.S. PATENT DOCUMENTS

3,354,575	A	*	11/1967	Darrow	43/56
3,976,564	A	*	8/1976	Holder	209/38
D256,173	S	*	7/1980	Rigney	D7/667 X
D318,350	S	*	7/1991	Muffuletto	D32/35
D343,940	S	*	2/1994	Glass	D99/34

1 Claim, 2 Drawing Sheets

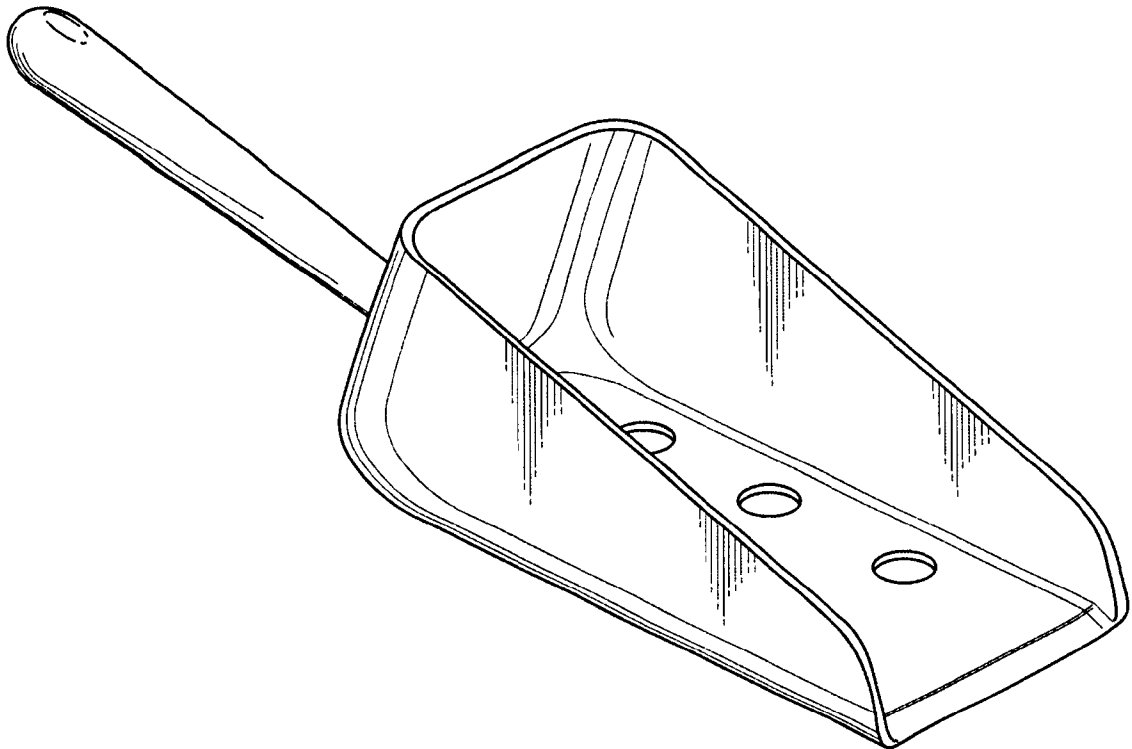


FIG - 1

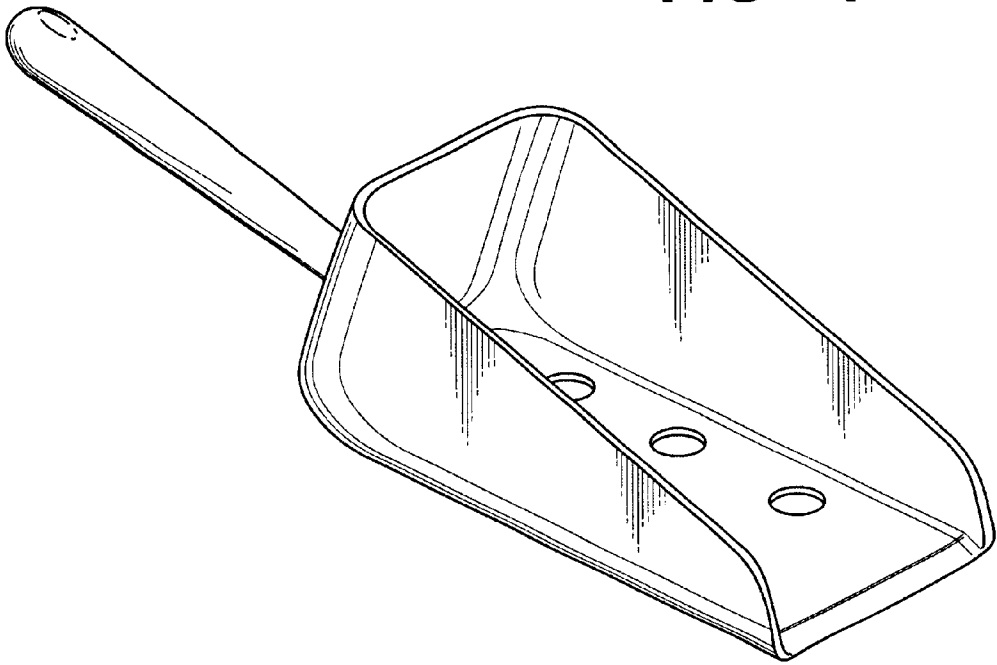


FIG - 2

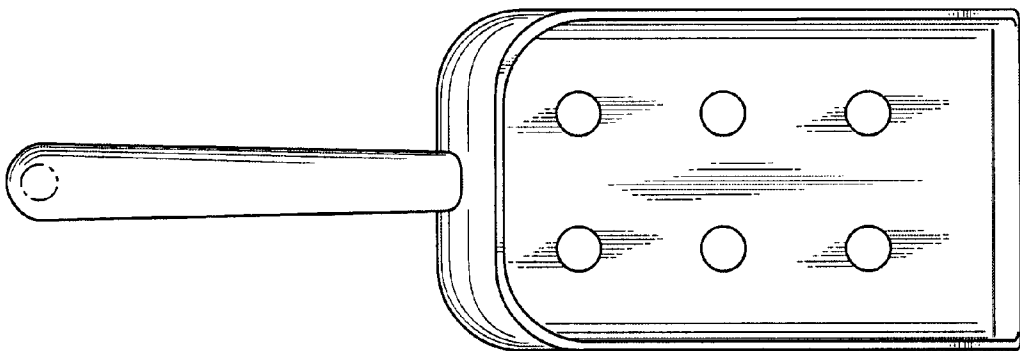


FIG - 3

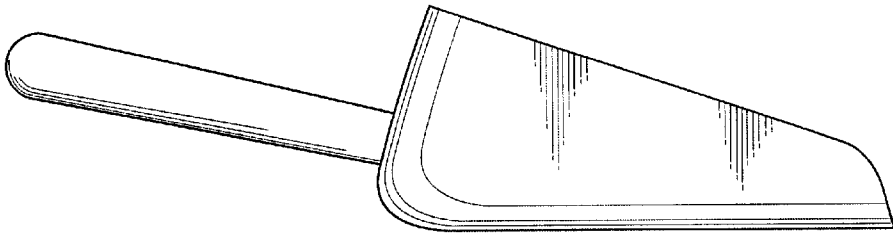


FIG - 4

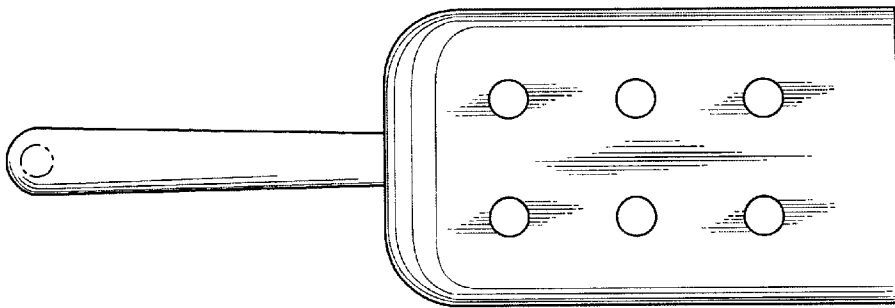


FIG - 5

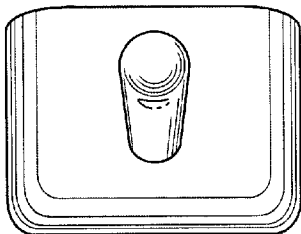


FIG - 6

