



US0D1024651S

(12) **United States Design Patent**  
**Farry**

(10) **Patent No.:** **US D1,024,651 S**

(45) **Date of Patent:** **\*\* Apr. 30, 2024**

- (54) **FOOD DEHYDRATOR**
- (71) Applicant: **Damian John Farry**, Frisco, TX (US)
- (72) Inventor: **Damian John Farry**, Frisco, TX (US)
- (\*\*) Term: **15 Years**

D879,386	S	*	3/2020	Lin	.....	D30/101
D888,918	S	*	6/2020	Seo	.....	D23/356
D889,189	S	*	7/2020	Zou	.....	D7/323
D908,417	S	*	1/2021	Choi	.....	D7/349
D924,292	S	*	7/2021	Wei	.....	D15/199
D944,304	S	*	2/2022	Ishizu	.....	D15/199
2019/0257526	A1	*	8/2019	Streitwieser	.....	F24C 15/02

- (21) Appl. No.: **29/652,786**
- (22) Filed: **Nov. 30, 2020**
- (51) **LOC (14) Cl.** ..... **07-02**
- (52) **U.S. Cl.**

**FOREIGN PATENT DOCUMENTS**

CN	302703299	*	1/2014
GB	6189673	*	2/2022

- USPC ..... **D7/323**; D7/368
- (58) **Field of Classification Search**
- USPC ..... D7/323, 324, 337, 339, 340, 341, 346,  
D7/347, 348, 350.1, 350.3, 350.4, 368,  
D7/402, 403, 404, 405, 406, 412;  
D15/122, 135, 199; D24/163; D30/101
- CPC ..... A21B 2/00; A21B 3/04; A23B 7/0205;  
A23B 7/0215; A23B 7/03; A23B 9/08;  
A23C 3/02; A23L 3/00; A23V 2300/10;  
A47J 39/003; A47J 39/006; F24C 15/02;  
F24C 15/021; F24C 15/04; F24C 15/10;  
F24C 15/101; F26B 1/00; F26B 5/044;  
F26B 2210/00; F26B 21/02; D06F 58/38;  
D06F 58/42

**OTHER PUBLICATIONS**

Cosori Food Dehydrator, posted at Amazon.com on Apr. 12, 2019, [site visited May 4, 2022]. Available from internet, URL: <<https://www.amazon.com/COSORI-Dehydrator-Stainless-Temperature-Compliant/dp/B07PY5M579/>> (Year: 2019).\*

(Continued)

*Primary Examiner* — Andrew Kerr  
*Assistant Examiner* — Chariton Alexakis

(57) **CLAIM**

The ornamental design for a food dehydrator, as shown and described.

See application file for complete search history.

**DESCRIPTION**

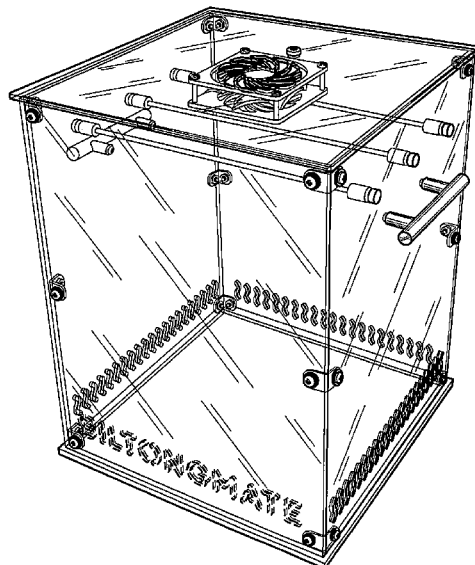
(56) **References Cited**

**U.S. PATENT DOCUMENTS**

8,252,223	B2	*	8/2012	Medina	.....	B29C 64/112 425/375
D691,842	S	*	10/2013	Ha	.....	D7/323
D704,382	S	*	5/2014	Wu	.....	D30/101
D722,108	S	*	2/2015	Reches	.....	D18/50
D732,587	S	*	6/2015	Hsu	.....	D15/122
D795,503	S	*	8/2017	Mei	.....	D30/101
D796,122	S	*	8/2017	Wang	.....	D30/101
D840,740	S	*	2/2019	To	.....	D7/354
D867,337	S	*	11/2019	Kitamura	.....	D14/218

FIG. 1 is a perspective view of a food dehydrator, showing my new design;  
FIG. 2 is a front elevation view thereof;  
FIG. 3 is a rear elevation view thereof;  
FIG. 4 is a right-side elevation view thereof;  
FIG. 5 is a left-side elevation view thereof;  
FIG. 6 is a top plan view thereof; and,  
FIG. 7 is a bottom plan view thereof.  
The broken lines shown in the drawings depict portions of the food dehydrator that form no part of the claimed design.

**1 Claim, 7 Drawing Sheets**



(56)

**References Cited**

OTHER PUBLICATIONS

Colzer Food Dehydrator, posted at Amazon.com on Aug. 17, 2020, [site visited May 4, 2022]. Available from internet, URL: <<https://www.amazon.com/Dehydrator-Stainless-Adjustable-Temperature-Control/dp/B08G1DHBP6/>> (Year: 2020).\*

Biltong Mate Home Biltong Maker, posted at biltongmate.com (date not available), [site visited May 2, 2022]. Available from internet, URL: <<https://www.biltongmate.com/products/biltongmate-biltong-making-machine>> (Year: NA).\*

\* cited by examiner

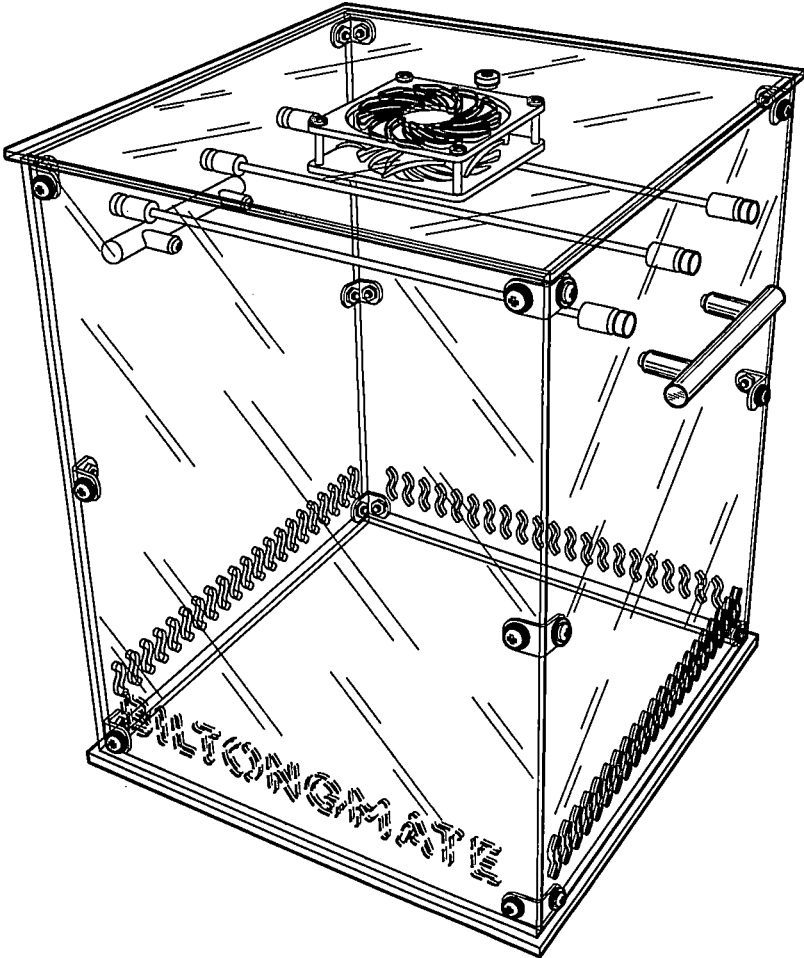


Fig. 1

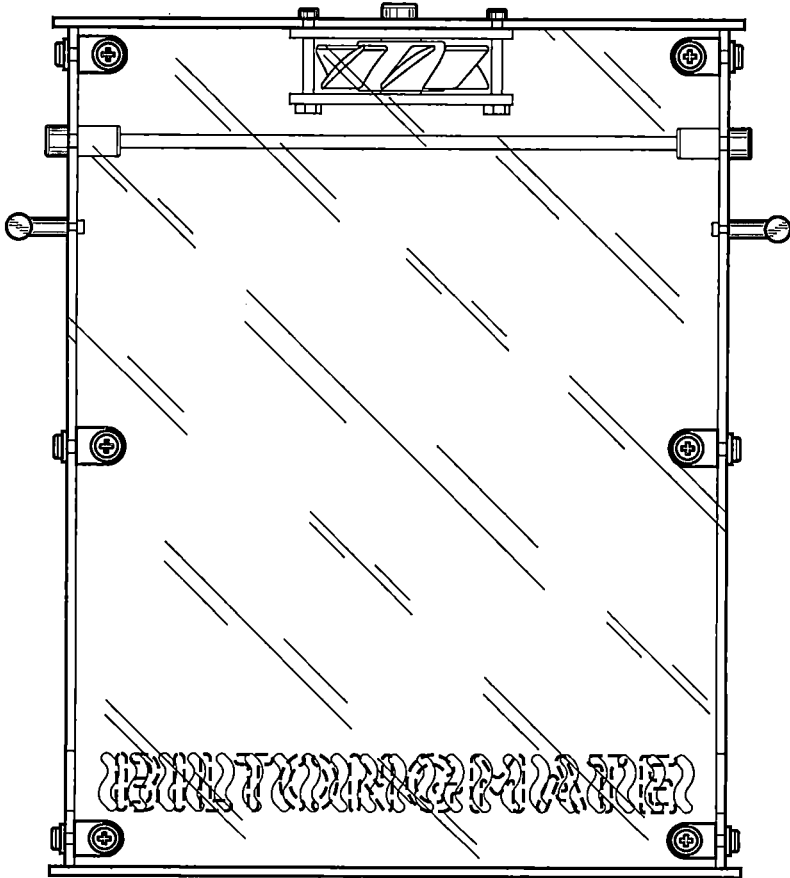


Fig. 2

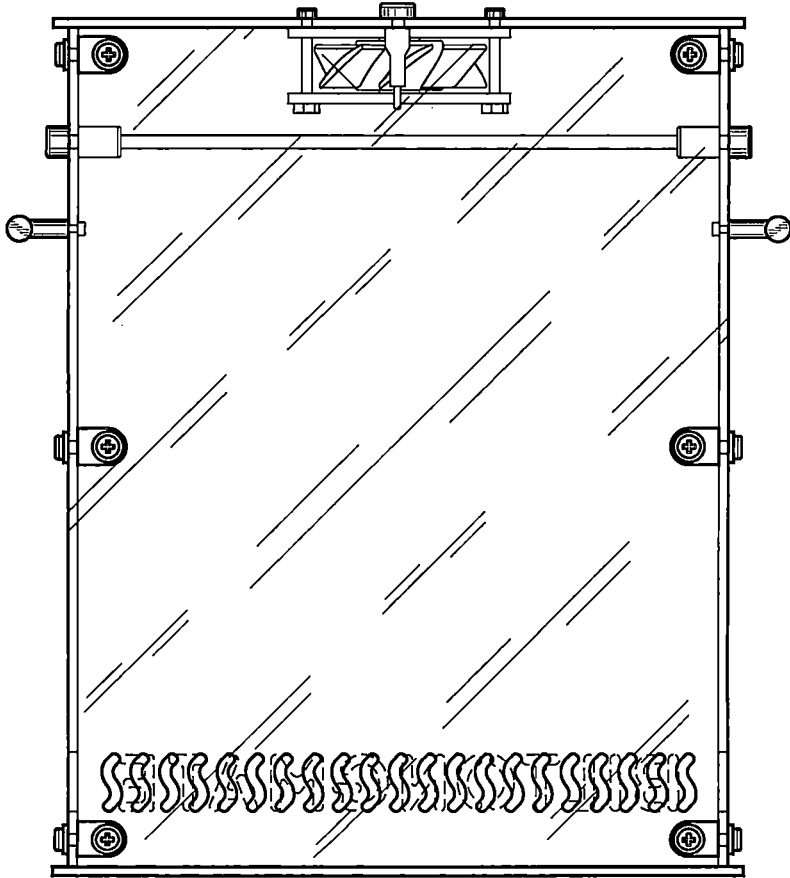


Fig. 3

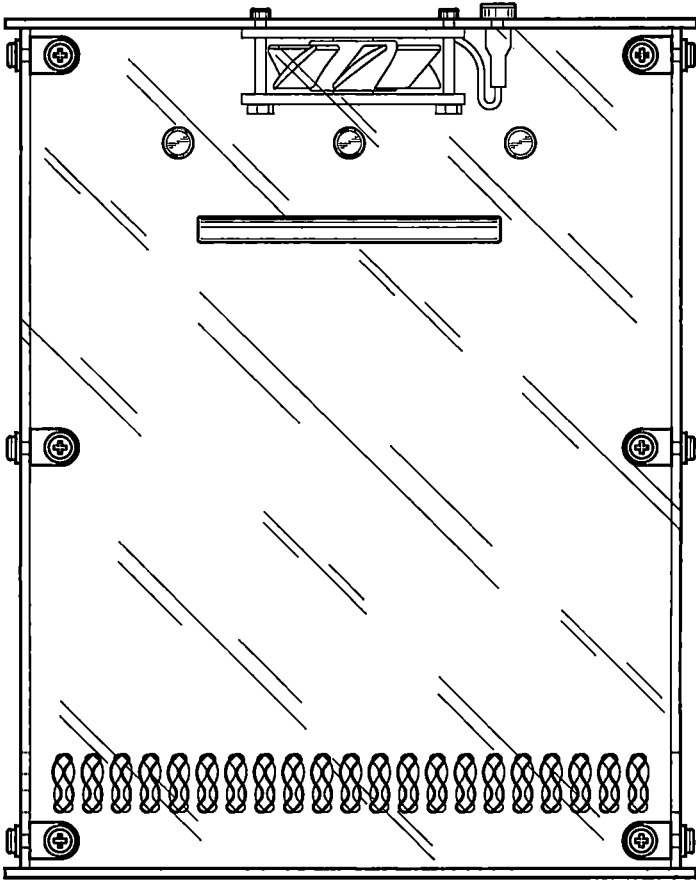


Fig. 4

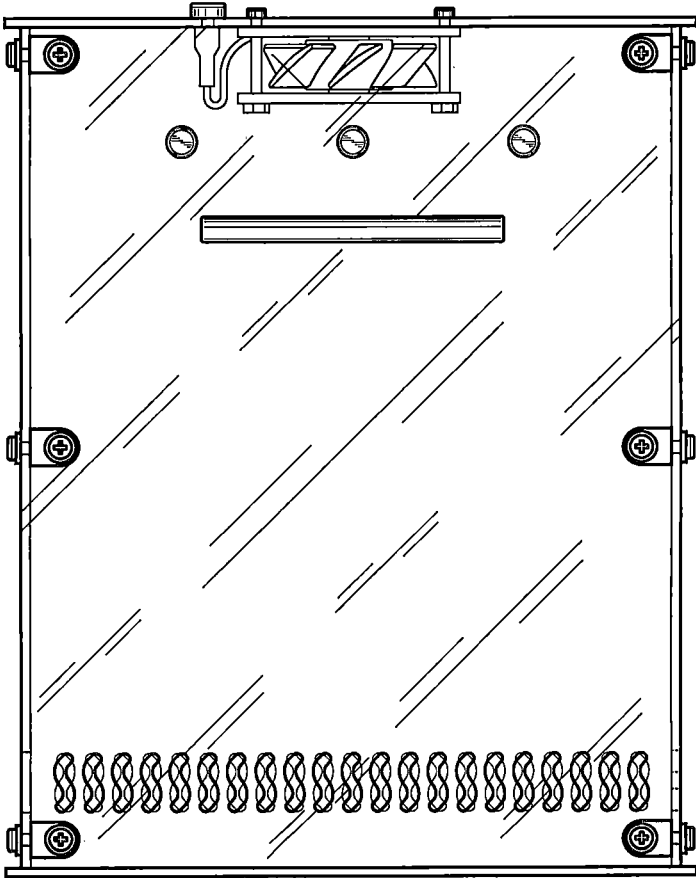


Fig. 5

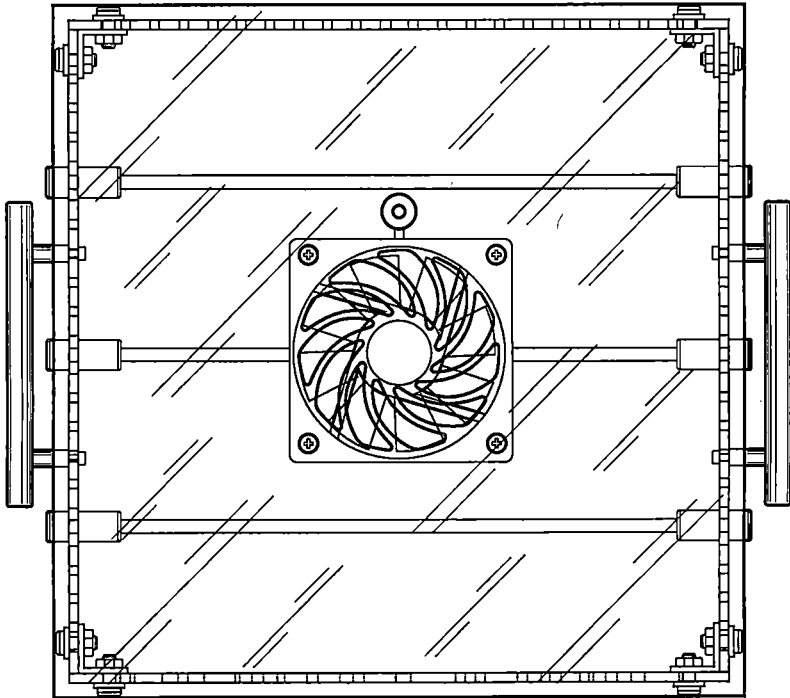


Fig. 6

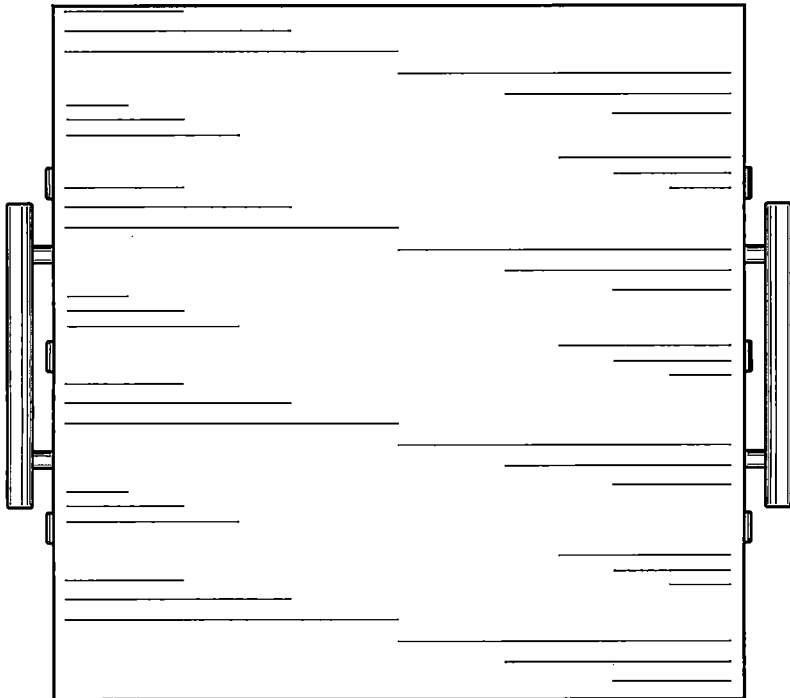


Fig. 7