



- (51) **International Patent Classification:**  
*G06F 3/042* (2006.01) *G06F 3/03* (2006.01)
- (21) **International Application Number:**  
PCT/EP2010/059227
- (22) **International Filing Date:**  
29 June 2010 (29.06.2010)
- (25) **Filing Language:** English
- (26) **Publication Language:** English
- (71) **Applicant** (for all designated States except US): **IT-Universitetet i Kobenhavn** [DK/DK]; Rued Langaards Vej 7, DK-2300 Copenhagen S (DK).
- (72) **Inventors; and**
- (75) **Inventors/Applicants** (for US only): **BARDAM, Jakob Eyvind** [DK/DK]; Tvsvrvej 61, DK-2830 Virum (DK). **RAMOS, Juan David Hincapie** [CO/DK]; Ordrupvej 67A, 2tv, DK-2920 Charlottenlund (DK).
- (74) **Agent:** **SCHWARZE, Holm;** c/o Zacco Denmark A/S, Hans Bekkevolds Alle 7, DK-2900 Hellerup (DK).
- (81) **Designated States** (unless otherwise indicated, for every kind of national protection available): AE, AG, AL, AM,

AO, AT, AU, AZ, BA, BB, BG, BH, BR, BW, BY, BZ, CA, CH, CL, CN, CO, CR, CU, CZ, DE, DK, DM, DO, DZ, EC, EE, EG, ES, FI, GB, GD, GE, GH, GM, GT, HN, HR, HU, ID, IL, IN, IS, JP, KE, KG, KM, KN, KP, KR, KZ, LA, LC, LK, LR, LS, LT, LU, LY, MA, MD, ME, MG, MK, MN, MW, MX, MY, MZ, NA, NG, NI, NO, NZ, OM, PE, PG, PH, PL, PT, RO, RS, RU, SC, SD, SE, SG, SK, SL, SM, ST, SV, SY, TH, TJ, TM, TN, TR, TT, TZ, UA, UG, US, UZ, VC, VN, ZA, ZM, ZW.

- (84) **Designated States** (unless otherwise indicated, for every kind of regional protection available): ARIPO (BW, GH, GM, KE, LR, LS, MW, MZ, NA, SD, SL, SZ, TZ, UG, ZM, ZW), Eurasian (AM, AZ, BY, KG, KZ, MD, RU, TJ, TM), European (AL, AT, BE, BG, CH, CY, CZ, DE, DK, EE, ES, FI, FR, GB, GR, HR, HU, IE, IS, IT, LT, LU, LV, MC, MK, MT, NL, NO, PL, PT, RO, SE, SI, SK, SM, TR), OAPI (BF, BJ, CF, CG, CI, CM, GA, GN, GQ, GW, ML, MR, NE, SN, TD, TG).

**Published:**

— with international search report (Art. 21(3))

- (88) **Date of publication of the international search report:**  
30 August 2012

(54) **Title:** DEVICE ENABLING A USER TO INTERACT WITH A COMPUTER SYSTEM

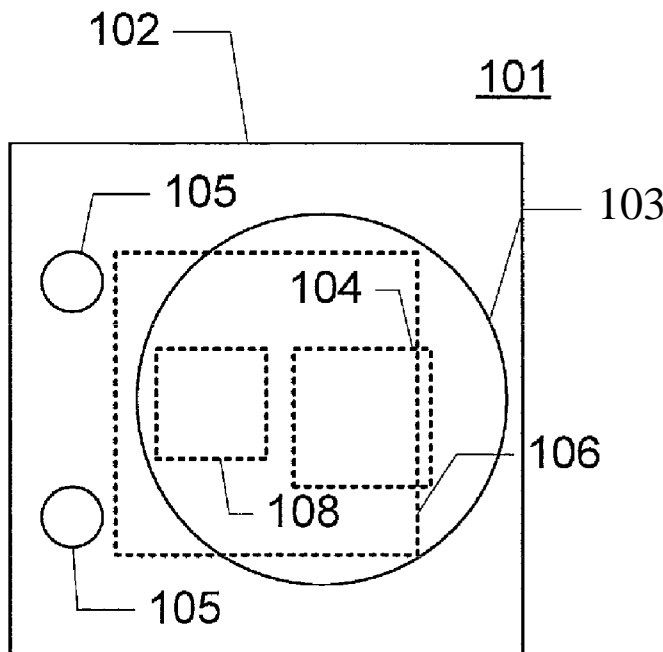


Fig. 1a

(57) **Abstract:** Disclosed is a device enabling a user to interact with a computer system via a display screen, said device comprising a housing that accommodates electronic circuitry and has a bottom face, where a device display faces said display screen when the device is positioned on the display screen on its bottom face, said device display being configured to display a code optically in two dimensions towards said display screen. The device is characterized by comprising a sensor configured to read a first code from an object in proximity of the device and to provide a sensor signal conveying the first code; and a processing unit coupled to the sensor to receive the sensor signal. The processing unit is coupled to the device display and is configured to convert the first code to a second code and to provide a display signal to the device display to display the second code optically.



**INTERNATIONAL SEARCH REPORT**

International application No  
PCT/EP2010/059227

A. CLASSIFICATION OF SUBJECT MATTER  
**INV. G06F3/042 G06F3/03**  
 ADD.  
 According to International Patent Classification (IPC) or to both national classification and IPC

B. FIELDS SEARCHED  
 Minimum documentation searched (classification system followed by classification symbols)  
**G06F**

Documentation searched other than minimum documentation to the extent that such documents are included in the fields searched

Electronic data base consulted during the international search (name of data base and, where practicable, search terms used)  
**EPO-Internal**

C. DOCUMENTS CONSIDERED TO BE RELEVANT

Category*	Citation of document, with indication, where appropriate, of the relevant passages	Relevant to claim No.
X	US 2006/227099 AI (HAN ALLEN MING-KUANG [US] ET AL) 12 October 2006 (2006-10-12) paragraphs [0001], [0034] - [0050]; figures 2,3 paragraph [0072] - paragraph [0073]; figures 12, 13A-13D -----	I - 6, II- 16
A	Olwal, Alex and Wilson, Andrew D.: "Surface Fusion: Unobtrusive Tracking of Everyday Objects in Tangible User Interfaces" In: The 34th Canadian Graphics Interface Conference: "Proceedings of GI 2008", 28 May 2008 (2008-05-28), Canadian Information Processing Society, Toronto, Canada, XP002676424, ISBN: 978-1-56881-423-0 pages 235-242, the whole document -----	1-16

Further documents are listed in the continuation of Box C.  See patent family annex.

\* Special categories of cited documents :

"A" document defining the general state of the art which is not considered to be of particular relevance	"T" later document published after the international filing date or priority date and not in conflict with the application but cited to understand the principle or theory underlying the invention
"E" earlier application or patent but published on or after the international filing date	"X" document of particular relevance; the claimed invention cannot be considered novel or cannot be considered to involve an inventive step when the document is taken alone
"L" document which may throw doubts on priority claim(s) or which is cited to establish the publication date of another citation or other special reason (as specified)	"Y" document of particular relevance; the claimed invention cannot be considered to involve an inventive step when the document is combined with one or more other such documents, such combination being obvious to a person skilled in the art
"O" document referring to an oral disclosure, use, exhibition or other means	"&" document member of the same patent family
"P" document published prior to the international filing date but later than the priority date claimed	

Date of the actual completion of the international search <b>23 May 2012</b>	Date of mailing of the international search report <b>05/06/2012</b>
---	---

Name and mailing address of the ISA/ European Patent Office, P.B. 5818 Patentlaan 2 NL - 2280 HV Rijswijk Tel. (+31-70) 340-2040, Fax: (+31-70) 340-3016	Authorized officer <b>Valin, Steven</b>
--	--

# INTERNATIONAL SEARCH REPORT

Information on patent family members

International application No

PCT/EP2010/059227

Patent document cited in search report	Publication date	Patent family member(s)	Publication date
US 2006227099	A1	NONE	12-10-2006
-----			