

(19) World Intellectual Property Organization
International Bureau



(43) International Publication Date
21 July 2005 (21.07.2005)

PCT

(10) International Publication Number
WO 2005/065159 A3

- (51) International Patent Classification:
H04N 17/00 (2006.01)
- (21) International Application Number:
PCT/US2004/041670
- (22) International Filing Date:
10 December 2004 (10.12.2004)
- (25) Filing Language: English
- (26) Publication Language: English
- (30) Priority Data:
60/533,190 30 December 2003 (30.12.2003) US
- (71) Applicant (for all designated States except US):
NIELSEN MEDIA RESEARCH, INC. [US/US];
770 Broadway, New York, New York 10003 (US).

AT, AU, AZ, BA, BB, BG, BR, BW, BY, BZ, CA, CH, CN, CO, CR, CU, CZ, DE, DK, DM, DZ, EC, EE, EG, ES, FI, GB, GD, GE, GH, GM, HR, HU, ID, IL, IN, IS, JP, KE, KG, KP, KR, KZ, LC, LK, LR, LS, LT, LU, LV, MA, MD, MG, MK, MN, MW, MX, MZ, NA, NI, NO, NZ, OM, PG, PH, PL, PT, RO, RU, SC, SD, SE, SG, SK, SL, SY, TJ, TM, TN, TR, TT, TZ, UA, UG, US, UZ, VC, VN, YU, ZA, ZM, ZW.

- (72) Inventors; and
- (75) Inventors/Applicants (for US only): **RAMASWAMY, Arun** [US/US]; 10710 Tavistock Drive, Tampa, Florida 33626 (US). **NELSON, Dan** [US/US]; 12562 Leatherleaf Drive, Tampa, Florida 33626 (US).
- (74) Agent: **FLIGHT, James, A.**; Hanley, Flight & Zimmerman, LLC, 20 N. Wacker Drive, Suite 4220, Chicago, Illinois 60606 (US).

(84) Designated States (unless otherwise indicated, for every kind of regional protection available): ARIPO (BW, GH, GM, KE, LS, MW, MZ, NA, SD, SL, SZ, TZ, UG, ZM, ZW), Eurasian (AM, AZ, BY, KG, KZ, MD, RU, TJ, TM), European (AT, BE, BG, CH, CY, CZ, DE, DK, EE, ES, FI, FR, GB, GR, HU, IE, IS, IT, LT, LU, MC, NL, PL, PT, RO, SE, SI, SK, TR), OAPI (BF, BJ, CF, CG, CI, CM, GA, GN, GQ, GW, ML, MR, NE, SN, TD, TG).

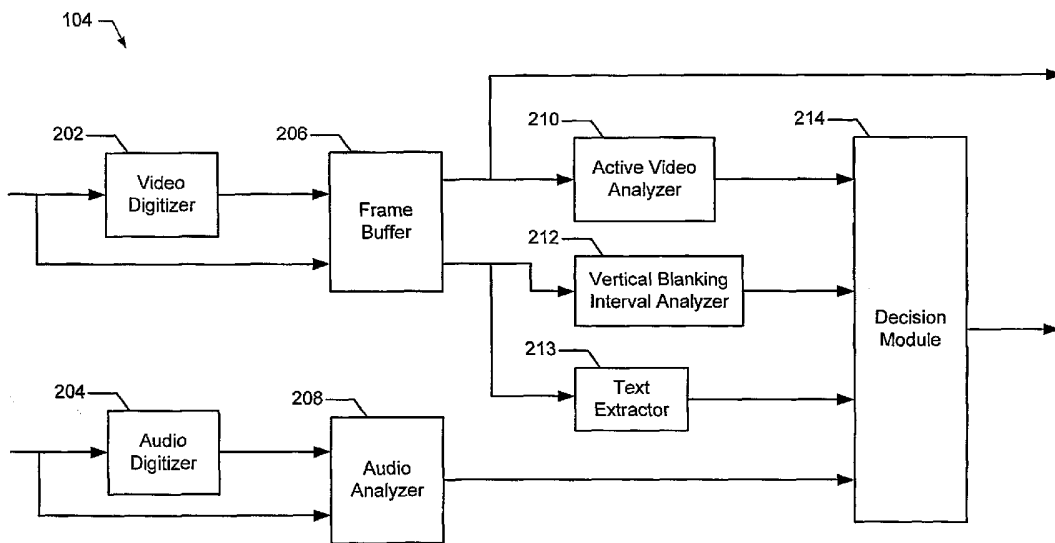
Published:
— with international search report
— before the expiration of the time limit for amending the claims and to be republished in the event of receipt of amendments

- (81) Designated States (unless otherwise indicated, for every kind of national protection available): AE, AG, AL, AM,

(88) Date of publication of the international search report:
26 May 2006

For two-letter codes and other abbreviations, refer to the "Guidance Notes on Codes and Abbreviations" appearing at the beginning of each regular issue of the PCT Gazette.

(54) Title: METHODS AND APPARATUS TO DISTINGUISH A SIGNAL ORIGINATING FROM A LOCAL DEVICE FROM A BROADCAST SIGNAL



(57) Abstract: Methods and apparatus to distinguish a signal originating from a local device (102) from a broadcast signal are disclosed. A disclosed system classifies a video component of an audio-video signal by analyzing a histogram of pixel data (408), analyzing a quality factor (409), and/or attempting to detect embedded data (410) in the video component. The disclosed system also classifies an audio component of the audio-video signal by attempting to detect embedded audio data and/or analyzing waveform energy associated with the audio component. A source of the audio-video signal is determined based on the video classification and/or the audio classification.

WO 2005/065159 A3

INTERNATIONAL SEARCH REPORT

International application No.
PCT/US04/41670

A. CLASSIFICATION OF SUBJECT MATTER
 IPC(7) : H04N 17/00
 US CL : 348/180
 According to International Patent Classification (IPC) or to both national classification and IPC

B. FIELDS SEARCHED
 Minimum documentation searched (classification system followed by classification symbols)
 U.S. : 348/180, 738, 722, 553, 558, 554, 555, 556

Documentation searched other than minimum documentation to the extent that such documents are included in the fields searched

Electronic data base consulted during the international search (name of data base and, where practicable, search terms used)
 EAST

C. DOCUMENTS CONSIDERED TO BE RELEVANT

Category *	Citation of document, with indication, where appropriate, of the relevant passages	Relevant to claim No.
X	US 6,067,126 A (Alexander) 23 May 2000, col. 2, line 63, to col. 12, line 14.	1-46
A	US 6,766,523 a (Herley) 20 July 2004, the whole document.	1-46
A	US 2002/0080286 A (Dagtas et al.), 27 June 2002, the whole document.	1-46

Further documents are listed in the continuation of Box C. See patent family annex.

* Special categories of cited documents:	"T" later document published after the international filing date or priority date and not in conflict with the application but cited to understand the principle or theory underlying the invention
"A" document defining the general state of the art which is not considered to be of particular relevance	"X" document of particular relevance; the claimed invention cannot be considered novel or cannot be considered to involve an inventive step when the document is taken alone
"E" earlier application or patent published on or after the international filing date	"Y" document of particular relevance; the claimed invention cannot be considered to involve an inventive step when the document is combined with one or more other such documents, such combination being obvious to a person skilled in the art
"L" document which may throw doubts on priority claim(s) or which is cited to establish the publication date of another citation or other special reason (as specified)	"&" document member of the same patent family
"O" document referring to an oral disclosure, use, exhibition or other means	
"P" document published prior to the international filing date but later than the priority date claimed	

Date of the actual completion of the international search: 30 September 2005 (30.09.2005)
 Date of mailing of the international search report: 21 MAR 2006

Name and mailing address of the ISA/US:
 Mail Stop PCT, Attn: ISA/US
 Commissioner for Patents
 P.O. Box 1450
 Alexandria, Virginia 22313-1450
 Facsimile No. (703) 305-3230

Authorized officer:
 M. Lee
 Telephone No. 703-306-0377