



US00D776989S

(12) **United States Design Patent**
Wong

(10) **Patent No.:** **US D776,989 S**

(45) **Date of Patent:** **** Jan. 24, 2017**

(54) **FOOD GRATER**

(71) Applicant: **Yan Kwong Wong**, Kowloon (HK)

(72) Inventor: **Yan Kwong Wong**, Kowloon (HK)

(**) Term: **15 Years**

(21) Appl. No.: **29/537,514**

(22) Filed: **Aug. 26, 2015**

(30) **Foreign Application Priority Data**

Mar. 17, 2015 (HK) 1500683.4

(51) **LOC (10) CL.** **07-04**

(52) **U.S. CL.**
USPC **D7/678; D7/673**

(58) **Field of Classification Search**
USPC D7/678, 381-385, 673, 412
CPC A47J 43/25; A47J 43/00; A47J 43/255;
A47J 17/02; A61H 19/44; B26D
1/30; B26D 7/18; B26D 7/01; B26D
2/283; F16B 47/00; B26B 5/008
See application file for complete search history.

(56) **References Cited**

U.S. PATENT DOCUMENTS

2,720,234 A * 10/1955 Fett A47J 43/25
241/273.1
3,583,454 A * 6/1971 Borner A47J 43/25
241/169
4,212,431 A * 7/1980 Doyel A47J 43/25
241/100

4,928,893 A * 5/1990 Prindle A47J 43/25
241/100
D354,886 S * 1/1995 Diefenbach D7/678
D369,726 S * 5/1996 Wan D7/678
D393,576 S * 4/1998 Wong D7/678
D408,693 S * 4/1999 Wong D7/667
D446,691 S * 8/2001 Wong D7/673
D447,019 S * 8/2001 Wong D7/673
D447,022 S * 8/2001 Wong D7/678
D494,025 S * 8/2004 Wong D7/678
D578,838 S * 10/2008 Hood D7/678
7,469,848 B2 * 12/2008 Yamanaka A47J 43/25
241/273.1

* cited by examiner

Primary Examiner — Terry Wallace

(74) *Attorney, Agent, or Firm* — Miskin & Tsui-Yip LLP;
Gloria Tsui-Yip

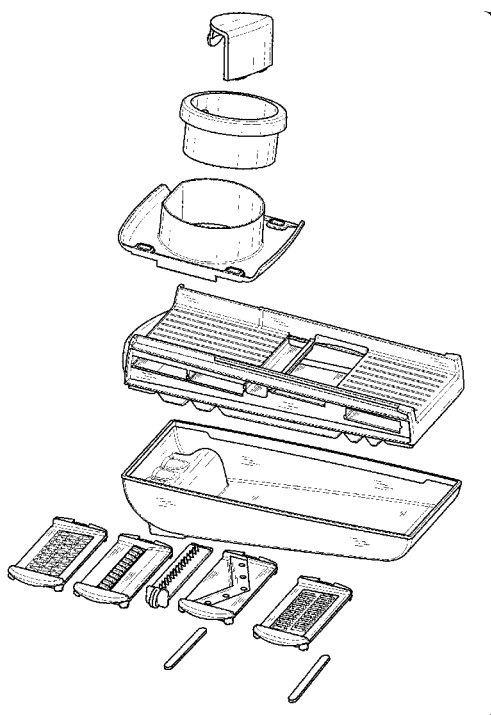
(57) **CLAIM**

The ornamental design for a food grater, as shown and described.

DESCRIPTION

FIG. 1 is a right side view of my new design;
FIG. 2 is a bottom plan view thereof;
FIG. 3 is a left side view thereof;
FIG. 4 is a top plan view thereof;
FIG. 5 is a rear elevational view thereof;
FIG. 6 is a front elevational view thereof;
FIG. 7 is a perspective exploded view showing various components thereof;
FIG. 8 is another perspective exploded view showing various components thereof; and,
FIG. 9 is a perspective view thereof.

1 Claim, 6 Drawing Sheets



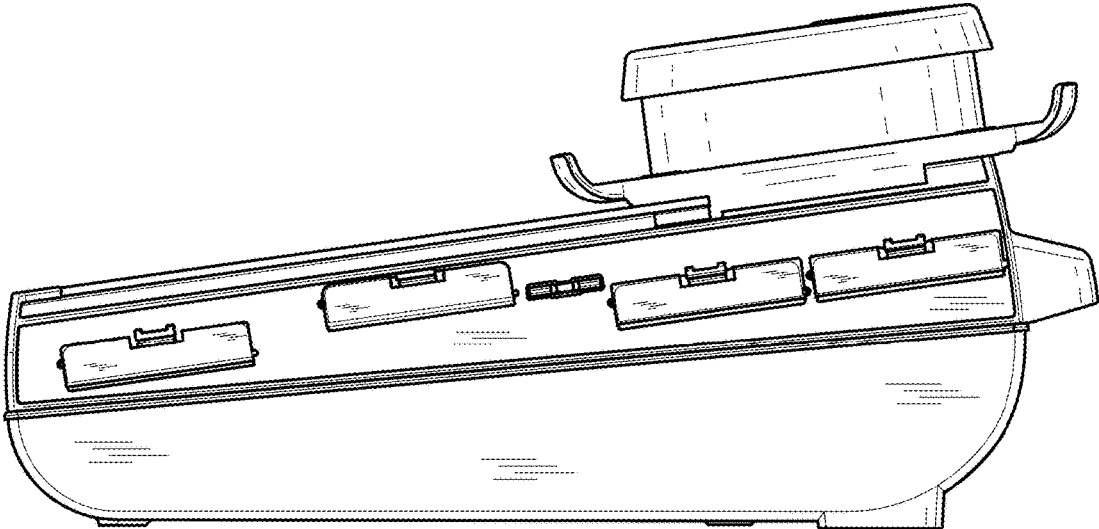


Fig.1

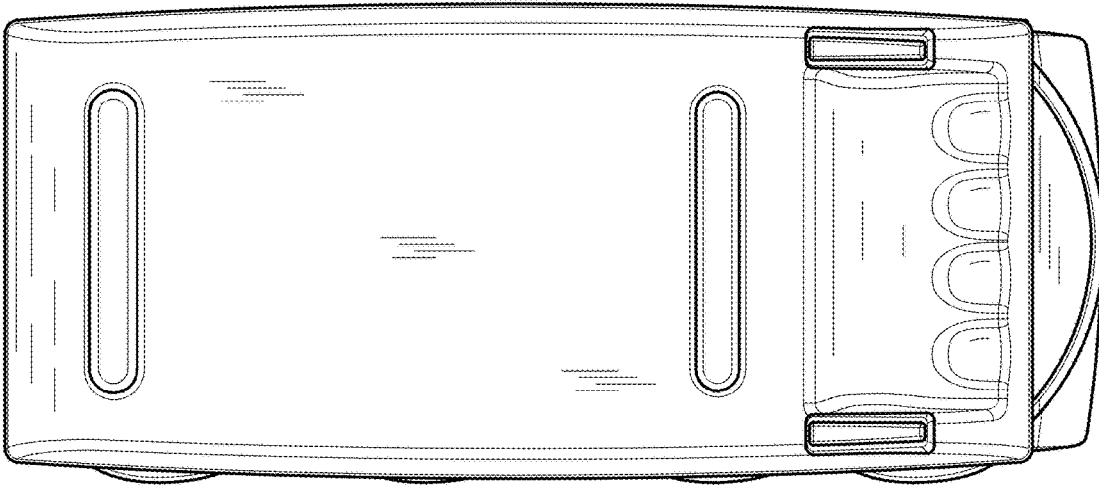


Fig.2

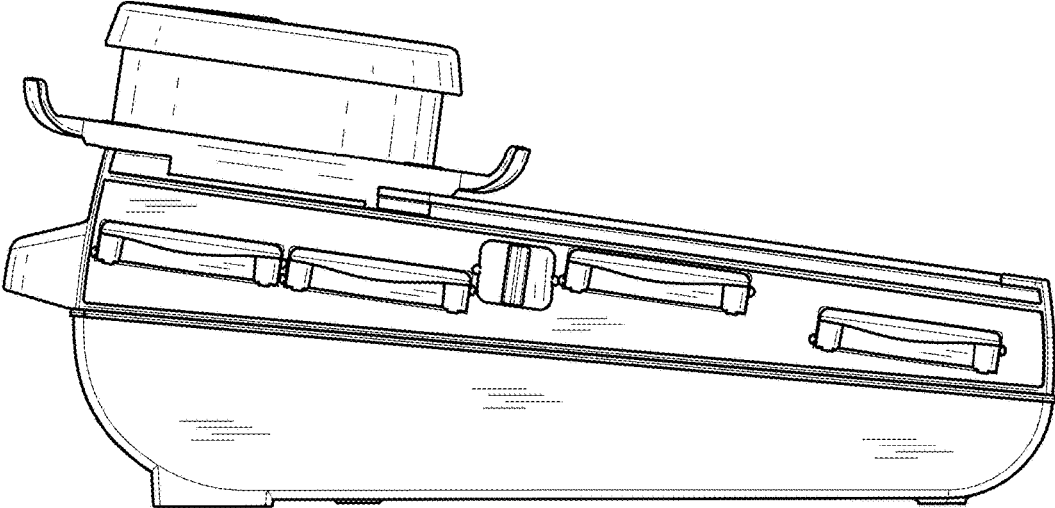


Fig.3

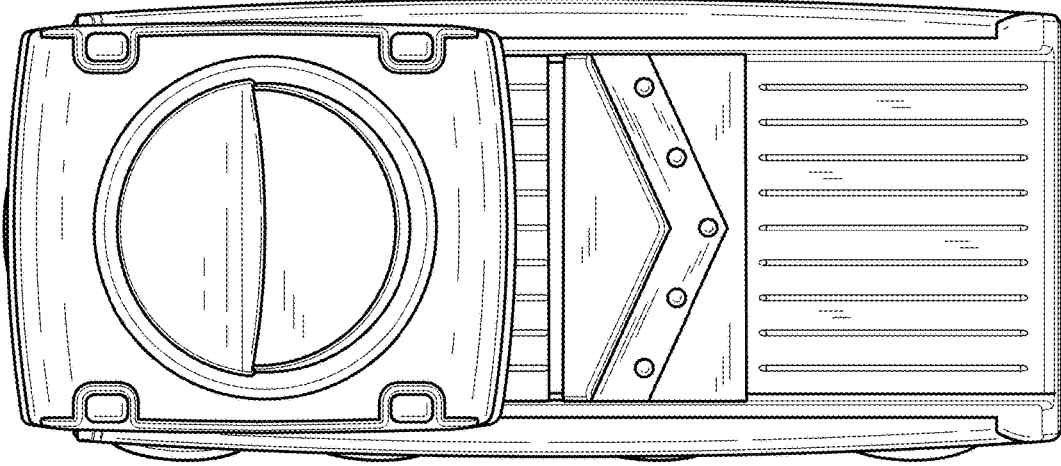


Fig.4

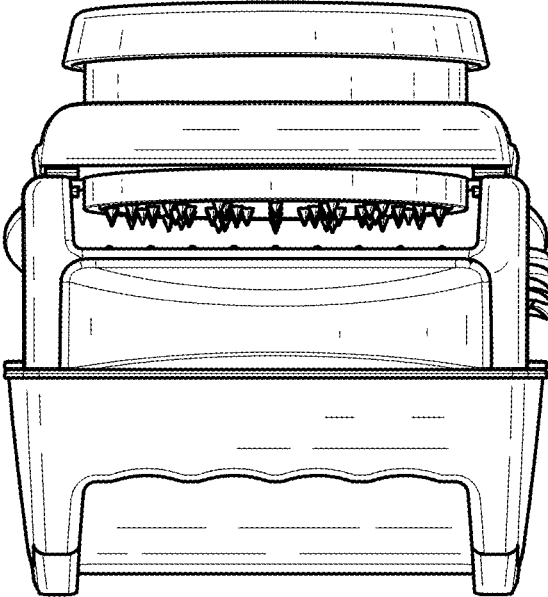


Fig.5

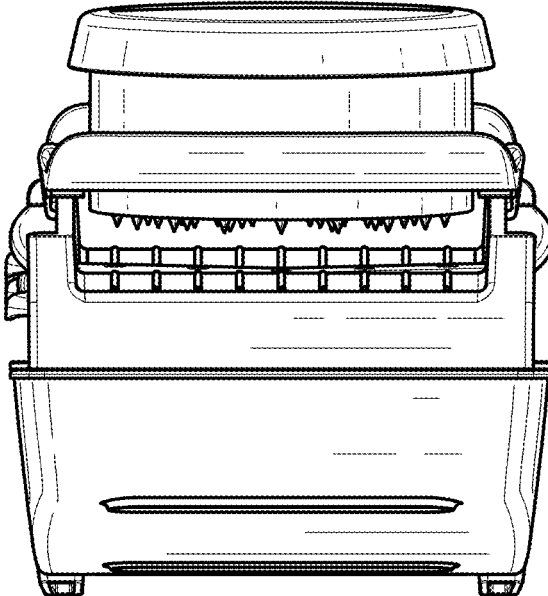


Fig.6

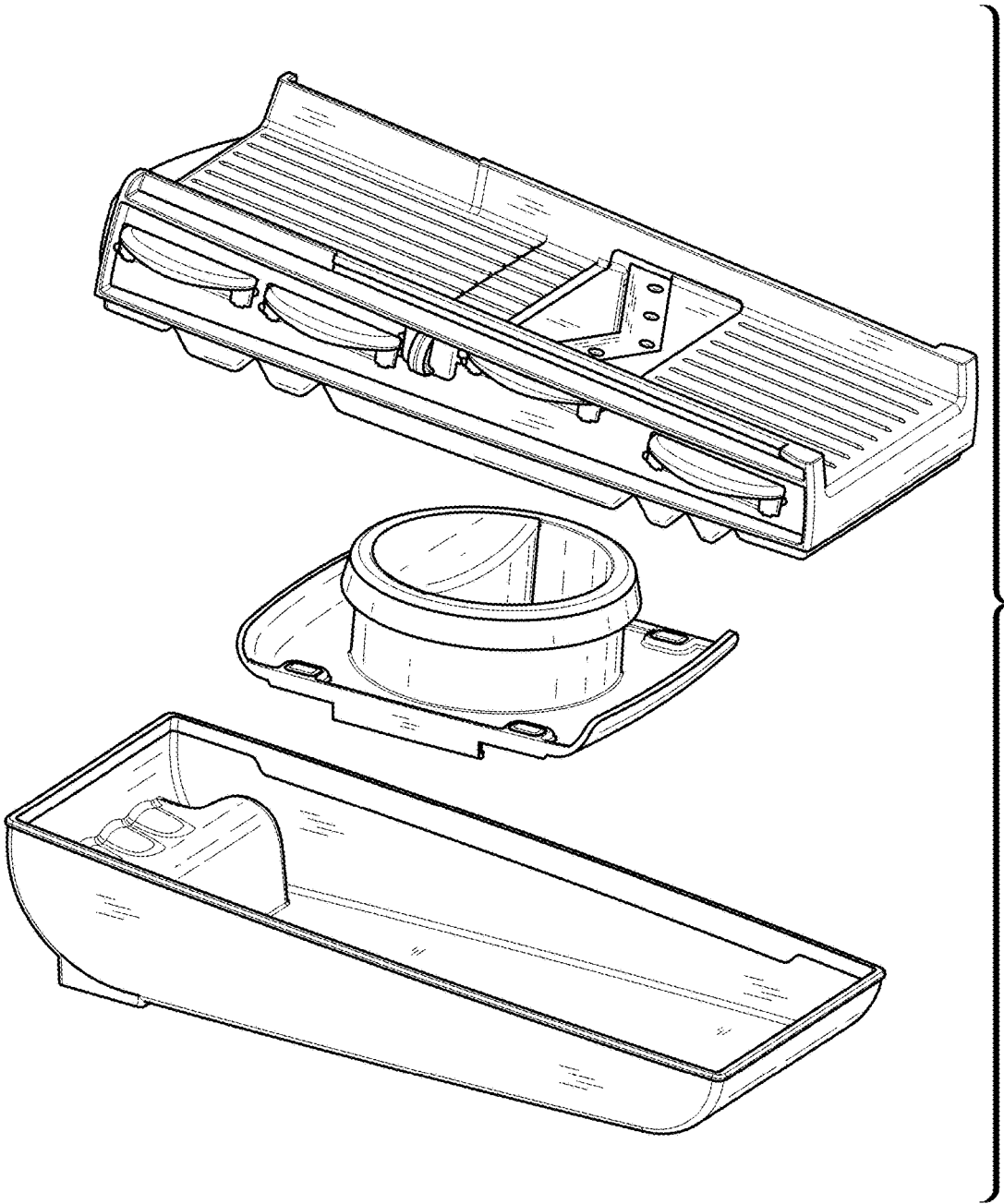


Fig.7

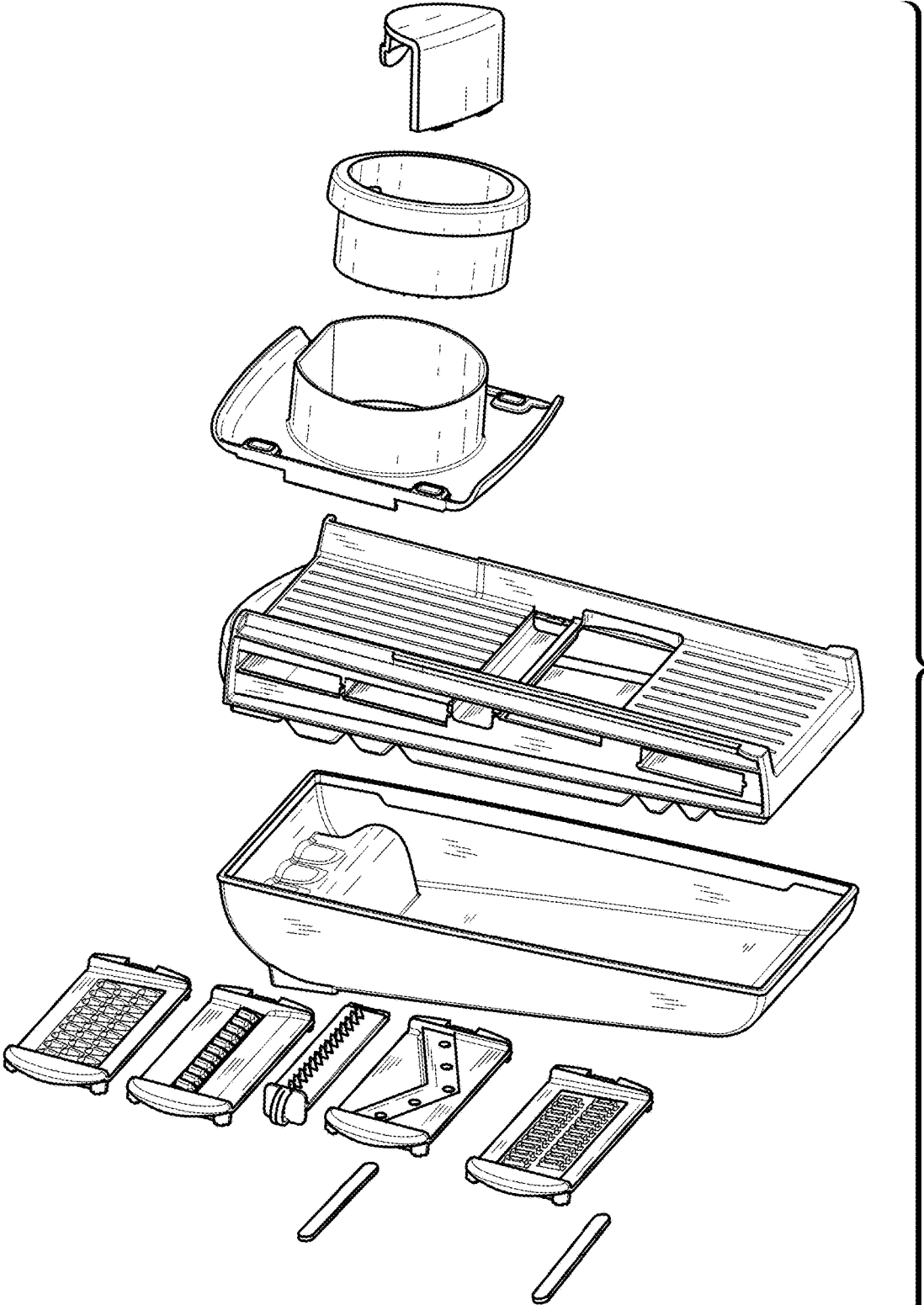


Fig.8

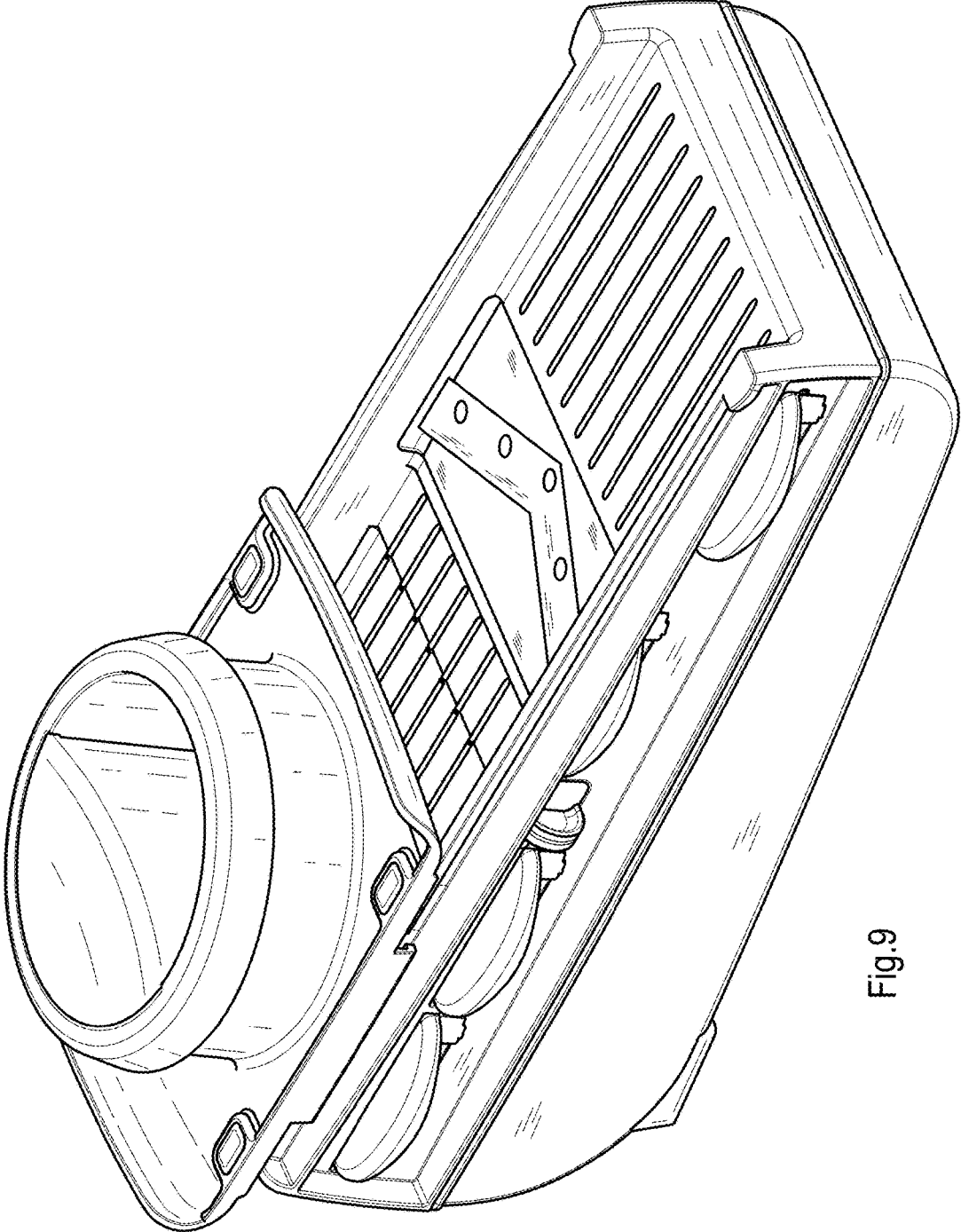


Fig.9