

(19) World Intellectual Property Organization  
International Bureau



(43) International Publication Date  
12 January 2006 (12.01.2006)

PCT

(10) International Publication Number  
**WO 2006/004505 A1**

- (51) International Patent Classification<sup>7</sup>: **G06F 3/033**
- (21) International Application Number:  
PCT/SE2005/001025
- (22) International Filing Date: 29 June 2005 (29.06.2005)
- (25) Filing Language: English
- (26) Publication Language: English
- (30) Priority Data:  
0401687-9 30 June 2004 (30.06.2004) SE  
60/583,618 30 June 2004 (30.06.2004) US  
60/617,193 12 October 2004 (12.10.2004) US
- (71) Applicant (for all designated States except US): **ANOTO IP LIC HB** [SE/SE]; Scheelevägen 19 C, S-223 70 Lund (SE).
- (72) Inventors; and
- (75) Inventors/Applicants (for US only): **HOLLSTRÖM, Magnus** [SE/SE]; Filippavägen 6A, SE-222 41 Lund (SE). **LYNGGAARD, Stefan** [SE/SE]; Neversvägen 43, S-224 79 Lund (SE). **ZANDER, Johan** [SE/SE]; Bokhållaregatan 33, S-211 56 Malmö (SE). **SANDSTRÖM, Ola** [SE/SE]; Bellmangatan 3, S-212 13 Malmö (SE).
- (74) Agent: **AWAPATENT AB**; Box 5117, s-200 71 Malmö (SE).

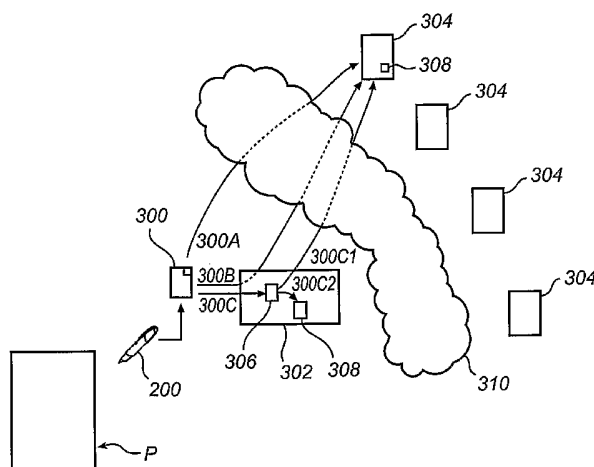
- (81) Designated States (unless otherwise indicated, for every kind of national protection available): AE, AG, AL, AM, AT, AU, AZ, BA, BB, BG, BR, BW, BY, BZ, CA, CH, CN, CO, CR, CU, CZ, DE, DK, DM, DZ, EC, EE, EG, ES, FI, GB, GD, GE, GH, GM, HR, HU, ID, IL, IN, IS, JP, KE, KG, KM, KP, KR, KZ, LC, LK, LR, LS, LT, LU, LV, MA, MD, MG, MK, MN, MW, MX, MZ, NA, NG, NI, NO, NZ, OM, PG, PH, PL, PT, RO, RU, SC, SD, SE, SG, SK, SL, SM, SY, TJ, TM, TN, TR, TT, TZ, UA, UG, US, UZ, VC, VN, YU, ZA, ZM, ZW.
- (84) Designated States (unless otherwise indicated, for every kind of regional protection available): ARIPO (BW, GH, GM, KE, LS, MW, MZ, NA, SD, SL, SZ, TZ, UG, ZM, ZW), Eurasian (AM, AZ, BY, KG, KZ, MD, RU, TJ, TM), European (AT, BE, BG, CH, CY, CZ, DE, DK, EE, ES, FI, FR, GB, GR, HU, IE, IS, IT, LT, LU, MC, NL, PL, PT, RO, SE, SI, SK, TR), OAPI (BF, BJ, CF, CG, CI, CM, GA, GN, GQ, GW, ML, MR, NE, SN, TD, TG).

**Declarations under Rule 4.17:**

— as to applicant's entitlement to apply for and be granted a patent (Rule 4.17(ii)) for the following designations AE, AG, AL, AM, AT, AU, AZ, BA, BB, BG, BR, BW, BY, BZ, CA, CH, CN, CO, CR, CU, CZ, DE, DK, DM, DZ, EC, EE, EG, ES, FI, GB, GD, GE, GH, GM, HR, HU, ID, IL, IN, IS, JP, KE, KG, KM, KP, KR, KZ, LC, LK, LR, LS, LT, LU, LV,

[Continued on next page]

(54) Title: DATA MANAGEMENT IN AN ELECTRONIC PEN



(57) Abstract: In an information management system for handling digital position data recorded by an electronic pen, the pen is designed to operate essentially independently of other system components. The pen is controlled to incorporate the position data into a data file object suitable for storage in a file system, and to expose the file object to an external data handler. The data file object may then be transported in the system from the external data handler in a sequential chain of transfers, with each transfer being independent of other transfers. The pen may be controlled to convert recordings of a first code on a product to one or more absolute positions in a coordinate system, to convert recordings of a second code to data indicative of a functional layout of the product, the data defining one or more functional areas in the coordinate system, and to map the absolute position(s) against the data to identify if the absolute position(s) falls within the functional area(s). Thus, the pen may be dynamically provided with a description of all or parts of the functional layout of a product, thereby reducing the need of the pen to pre-store such descriptions for all products. Encryption or usage may also be controlled based on data encoded by the second code.

WO 2006/004505 A1



- MA, MD, MG, MK, MN, MW, MX, MZ, NA, NG, NI, NO, NZ, OM, PG, PH, PL, PT, RO, RU, SC, SD, SE, SG, SK, SL, SM, SY, TJ, TM, TN, TR, TT, TZ, UA, UG, UZ, VC, VN, YU, ZA, ZM, ZW, ARIPO patent (BW, GH, GM, KE, LS, MW, MZ, NA, SD, SL, SZ, TZ, UG, ZM, ZW), Eurasian patent (AM, AZ, BY, KG, KZ, MD, RU, TJ, TM), European patent (AT, BE, BG, CH, CY, CZ, DE, DK, EE, ES, FI, FR, GB, GR, HU, IE, IS, IT, LI, LU, MC, NL, PL, PT, RO, SE, SI, SK, TR), OAPI patent (BF, BJ, CF, CG, CI, CM, GA, GN, GQ, GW, ML, MR, NE, SN, TD, TG)
- as to the applicant's entitlement to claim the priority of the earlier application (Rule 4.17(iii)) for all designations
  - as to the applicant's entitlement to claim the priority of the earlier application (Rule 4.17(iii)) for all designations
  - of inventorship (Rule 4.17(iv)) for US only
- Published:**
- with international search report
- For two-letter codes and other abbreviations, refer to the "Guidance Notes on Codes and Abbreviations" appearing at the beginning of each regular issue of the PCT Gazette.

DATA MANAGEMENT IN AN ELECTRONIC PENField of the Invention

The present invention generally relates to management of digitally recorded data, and in particular to management of this data in an electronic pen.

5       Background Art

Electronic pens can be used for generation of information that electronically represents handwritten entries on a product with a writing surface. It would be desirable to incorporate such electronic pens in an information management system such that the electronic information could be efficiently conveyed to different destination units for further processing.

10       In US 2003/0061188, US 2003/0046256 and US 2002/0091711, which are herewith incorporated by reference, the present Applicant has suggested such information management systems in which a position code is applied to each product to code a plurality of absolute positions thereon. By reading the position code, electronic pens are capable of electronically recording a sequence of positions that reflects the pen motion on the product.

15       The position code on each product is a subset of a much larger abstract position-coding pattern. Examples of such abstract patterns are given in US 6,570,104; US 6,330,976 and US 6,667,695, which are herewith incorporated by reference.

20       The abstract pattern is divided into subsets of given size, each such subset being associated in the system with a unique identifier. If each subset is intended for a respective physical page, it is denoted a pattern page and is represented by a unique page address. In such a case, each absolute position may be represented

by a page address and a local position within the associated pattern page.

The electronic pens may have knowledge of the abstract position-coding pattern, via so-called templates  
5 that are pre-stored in the pen to define certain functional areas in the pattern, e.g. as described in Applicant's prior publication US 2003/0061188. The pen may process the recorded positions based on functions indicated by these templates and/or provide feedback to  
10 the pen user, e.g. by vibrating when recording a position in a certain functional area.

By designating different parts of the abstract pattern to different destination units, the electronic information can be automatically directed from the pen to  
15 the correct destination unit for processing. For example, the system may include an intermediary server which, upon receipt of one or more absolute positions from a pen, identifies an associated network address of the correct actor and directs the flow of data to this address.

20 Such a system is disclosed in Applicant's prior publication US 2003/0055865, in which an electronic pen in a first roundtrip establishes contact with a so-called paper lookup server (PLS) and inquires it for routing information based upon position data that the pen derived  
25 from a position-coded product. Then, upon receipt of the routing information from the PLS, the electronic pen in a second roundtrip establishes contact with an application server as indicated by the routing information. The application server then requests the relevant position  
30 data from the pen.

Although the system benefits from providing a streamlined and transparent flow of data, it suffers from being an end-to-end arrangement. Specifically, the system requires the pen, the PLS and the respective application  
35 server, as well as the respective communication paths, to be accessible whenever data is to be transferred. A failure anywhere in the communication chain may

potentially lead to data being lost, possibly without the user of the pen being properly notified thereof.

Another disadvantage is that the products cannot be generated independently from other components of the information management system. For example, the pen must store a template for the product, the intermediary server must know where to direct the information recorded from a certain product, and the application server must know how to process this information.

#### Summary of the Invention

10 The object of the invention is to overcome the above problems of the prior art.

Generally, the objects of the invention are at least partly achieved by means of a method, electronic pens, a computer program product, and an information management system according to the independent claims, preferred 15 embodiments being defined by the dependent claims.

One aspect of the invention is a method, in an electronic pen, of managing digitally recorded position data, comprising: incorporating said position data into a data file object suitable for storage in a file system; 20 and exposing said file object to an external data handler.

Another aspect of the invention is an electronic pen for writing on a product, comprising: an image reader 25 which records at least one image of the product during said writing; an image processor which determines position data based upon said at least one image, said position data being indicative of said writing; a file assembler which incorporates said position data into a data file object suitable for storage in a file system; 30 and an exposer which exposes said file object to an external data handler.

A general advantage of these aspects is that the position data recorded by the pen can be handled 35 asynchronously within an information management system. There is no need for roundtrip communication between the

pen and other components of the information management system, since the recorded position data may be exposed by the pen as an autonomous data file object. Thus, the data file object can be transported in the system in a sequential chain of transfers, with each transfer being independent of other transfers. Thus, certain parts of the chain may be temporarily inoperable without position data being lost in the system. It should be noted that the present invention also allows for streamlined and transparent flow of data, by proper design of the external data handler and any other components involved in the transfer operations.

The data exposure may involve the data file object being pushed to the external data handler, or the data file object being made available for retrieval (pulling) by the external data handler, suitably from a file system in the memory of the pen. The exposure by pushing requires the external data handler to be active, while any other components of the system may be off-line. The exposure for retrieval may be effected while all other components of the system are off-line.

In one embodiment of the above method, it further comprises: converting recordings of a first code on a product to at least one absolute position in a coordinate system; converting recordings of a second code to input data; and processing said at least one absolute position on the basis of said input data. The input data may define at least one functional area in said coordinate system, and the method may further comprise mapping said at least one absolute position against said input data to identify if said at least one absolute position falls within said at least one functional area.

In one embodiment of the above electronic pen, its image processor is operable to determine said position data based upon at least one image of a first code on the product, said position data comprising at least one absolute position in a coordinate system; and its image

processor is also operable to determine input data based upon at least one image of a second code. Further, the processing logic of the pen is operable to process said at least one absolute position on the basis of said input data, where the input data may define at least one functional area in said coordinate system, and the processing logic may map said at least one absolute position against said input data to identify if said at least one absolute position falls within said at least one functional area.

A general advantage of these embodiments is that the pen may be dynamically provided with a full or partial description of the functional layout of a product. The description may be used to supplement, or even replace, any descriptions pre-stored in pen memory. Thus, the pens need not pre-store such descriptions for all products. New descriptions and products may be introduced without a need for the provider of the product or the pen to update a corresponding description in the pen.

If the pen has access to a complete description of the functional layout, it can give advanced user feedback, e.g. via an MMI of the pen, relating to any functional area on the product. Further, the pen can process the recorded position(s) in view of such a complete description and thus output data at a higher refinement level. For example, such refinement may include assigning the recorded position(s) to the functional areas, and/or processing the recorded positions according to rules that are associated with the functional areas, if such rules are indicated by or included in the second code. Increasing the pen's knowledge of the functional layout of the product may also reduce the need to distribute functional layout data for pre-storage in other parts of the information management system, since such data may be directly inferred from the pen data output.

Thus, combining the aspect of outputting the recorded position data in a data file object with the aspect of coding functional layout data, allows for a further relaxation of the pen's dependence on the information management system, and vice versa.

Still other objectives, features, aspects and advantages of the present invention will appear from the following detailed disclosure, from the attached dependent claims as well as from the drawings.

#### Brief Description of the Drawings

The invention will now be described in more detail with reference to the accompanying schematic drawings.

Fig. 1 illustrates a logical division of an abstract position-coding pattern into a tree structure of addressable page units.

Fig. 2 is a cross-sectional view of an electronic pen that implements the principles of the present invention.

Fig. 3 is an overview of an information management system, and communication paths therein, in which a file object may be generated and exposed for transfer according to the present invention.

Fig. 4 illustrates the relation of a template definition and a page description to a final position-coded product.

Fig. 5 illustrates an embodiment of a system of software modules for controlling the operation of the pen in Fig. 2.

Fig. 6 is a view of a position-coded product with a definition code that holds meta data related to the product itself and the processing of positions recorded on the product.

Fig. 7 illustrates part of a pen control system for processing of data from the product in Fig. 6.

Fig. 8 illustrates steps effected by a tool for generation the position-coded product in Fig. 6.



Detailed Description of the Invention

## ABSTRACT PATTERN

The following description is based on the use of the  
5 above-identified abstract position-coding pattern which  
is divided into page units. The page units are  
individually addressable in a hierarchy of page unit  
groups. Fig. 1 shows an example, in which the pattern 106  
contains "segments" 110 which in turn are divided into a  
10 number of "shelves" 111, each containing a number of  
"books" 112 which are divided into a number of aforesaid  
page units 113, also called "pattern pages". Suitably,  
all pattern pages have the same format within one level  
of the above pattern hierarchy. For example, some shelves  
15 may consist of pattern pages in A4 format, while other  
shelves consist of pattern pages in A5 format. The  
location of a certain pattern page in the abstract  
pattern can be noted as a page address of the form:  
segment.shelf.book.page, for instance 99.5000.1.1500,  
20 more or less like an IP address. For reasons of process-  
ing efficiency, the internal representation of the page  
address may be different, for example given as an integer  
of a predetermined length, e.g. 64 bits.

In one example, each segment consists of more than  
25 26,000,000 pattern pages, each with a size of about 50x50  
cm<sup>2</sup>. In one embodiment, at least one such segment is  
divided into 5,175 shelves, each consisting of 2 books  
with 2,517 pages each.

Each pattern page may be regarded as an actual sub-  
30 set of the coding pattern, or as the absolute positions  
that are coded by the subset. Each such absolute position  
may be represented as a global position in the coordinate  
system 114 of the overall pattern, or as logical  
position, i.e. a page address and a local position in a  
35 coordinate system 115 within a pattern page.

A suitable electronic pen may record its motion on a  
position-coded product as either a sequence of global

positions (i.e. a global pen stroke) or as a page address and a sequence of local positions on the corresponding pattern page (i.e. an addressed pen stroke).

The following description is also based on each  
5 product containing a position code that corresponds to one or more pattern pages. It is to be noted, however, that the position code on a product need not conform to a pattern page. Thus, one or more subsets from one or more pattern pages may be arbitrarily arranged on the product.  
10 The product also has embedded functionality in that the position code on the product is associated with one or more functions that selectively operate on electronic pen strokes that include certain positions.

Specifically, the functionality of the pen is at  
15 least partly controlled by the user manipulating the pen on a specific part of the position-coding pattern. To this end, the pen stores one or more templates that define how the pen is to operate on the information that is recorded from different parts (functional areas) of  
20 the position-coding pattern. In one embodiment, a specific page unit group in the page hierarchy, e.g. a segment or a shelf, is associated with a given template definition, which thus is valid for all pattern pages within that specific subset. The template defines the  
25 size, placement and function of any functional areas that may affect the operation of the pen. Such functional areas are denoted as "pidgets". Fig. 4 illustrates a template 400 as laid out on a pattern page 402, showing the placement of different pidgets 404.

30 In a template, all positions not occupied by any pidget within a pattern page are defined as belonging to a drawing area, which thus may be regarded as an implicit pidget. The positions detected in the drawing area are interpreted by the pen to be recorded as pen strokes.

35 The pidgets may, i.a., indicate a trigger function, a service selection function, a device selection function, a local action function, a data selection

function, an interpretation function, or a feedback function. The trigger function triggers the pen to expose data, as will be further explained below. The service selection function identifies a service, which may convey context information (e.g. email, fax, SMS) that affects the pen's processing of recorded positions, and/or content information (e.g. page, book, shelf) that affects the pen's selection of positions to be processed. The device selection function identifies a connection device for the pen (e.g. PC, mobile device, LAN access point). The local action function initiates an action that affects pen memory. The data selection function maps recorded positions to pen-resident data; e.g. a keyboard pidget may map positions to characters in the pen memory, or a shortcut pidget may map positions to communication addresses in the pen memory. The interpretation function may operate to convert one or more strokes within the pidget to machine-coded characters. The feedback function may cause the pen to activate an internal MMI, such as a vibrator, display or speaker.

Another type of pidget indicates a new instance function, which operates to separate potentially overlapping pen strokes by associating each pen stroke with an instance identifier. For example, each initiation of a new instance function may result in a new instance identifier being generated for the relevant part of the abstract pattern, such as a pattern page or book, and any subsequently recorded pen strokes may then be associated with this instance identifier. The instance identifier is suitably associated with or incorporated in the page address.

In one embodiment, the template defines each pidget 404 by a pidget ID, and a size and placement in local positions within a pattern page 402 (Fig. 4). The pidget ID is a 16-bit identifier that determines the pidget function. The pidget ID consists of a pidget type (bits 8-15) and a pidget number (bits 0-7). The pidget type

identifies the above-mentioned function, and the pidget number may identify a subfunction.

The above-mentioned trigger pidget can be either specific or generic. A specific trigger pidget has a pidget ID that identifies, via the pidget number, both a specific connection device and a specific service. Whenever the pen records a position within such a specific trigger pidget, it is capable of effecting an exposure of data. A generic trigger pidget has a pidget ID that does not identify a specific connection device and/or a specific service. To trigger an exposure of data, the generic trigger pidget must be used in combination with a device selection pidget and/or a service selection pidget, by the pen recording corresponding positions and forming a trigger pidget ID which identifies both a valid service and a valid connection device.

#### ELECTRONIC PEN

Fig. 2 illustrates an embodiment of the above-mentioned pen 200, which has a pen-shaped casing or shell 202 that defines a window or opening 204, through which images are recorded. The casing contains a camera system, an electronics system and a power supply.

The camera system 206 comprises at least one illuminating light source, a lens arrangement and an optical image reader (not shown in the Figure). The light source, suitably a light-emitting diode (LED) or laser diode, illuminates a part of the area that can be viewed through the window 204, by means of infrared radiation. An image of the viewed area is projected on the image reader by means of the lens arrangement. The image reader may be a two-dimensional CCD or CMOS detector which is triggered to capture images at a fixed rate, typically of about 70-100 Hz.

The power supply for the sensor device is advantageously a battery 208, which alternatively can be replaced by or supplemented by mains power (not shown).

The electronics system comprises a control unit 210 which is connected to a memory block 212. The control unit 210 is responsible for the different functions in the electronic pen and can advantageously be implemented by a commercially available microprocessor such as a CPU ("Central Processing Unit"), by a DSP ("Digital Signal Processor") or by some other programmable logical device, such as an FPGA ("Field Programmable Gate Array") or alternatively an ASIC ("Application-Specific Integrated Circuit"), discrete analog and digital components, or some combination of the above. The memory block 212 comprises preferably different types of memory, such as a working memory (e.g. a RAM) and a program code and persistent storage memory (a non-volatile memory, e.g. flash memory). Associated software is stored in the memory block 212 and is executed by the control unit 210 in order to provide a pen control system for the operation of the electronic pen.

The casing 202 also carries a pen point 214 which allows the user to write or draw physically on a surface by an ordinary pigment-based marking ink being deposited thereon. The marking ink in the pen point 214 is suitably transparent to the illuminating radiation in order to avoid interference with the opto-electronic detection in the electronic pen. A contact sensor 216 is operatively connected to the pen point 214 to detect when the pen is applied to (pen down) and/or lifted from (pen up), and optionally to allow for determination of the application force. Based on the output of the contact sensor 216, the camera system 206 is controlled to capture images between a pen down and a pen up. The control unit 210 processes these images to generate a sequence of temporally coherent positions that electronically represent a pen stroke.

The electronics system further comprises a communications interface 218 for exposing data, as will be further described below, to a nearby or remote apparatus such as a computer, mobile telephone, PDA, network server, etc. The communications interface 218 may thus provide components for wired or wireless short-range communication (e.g. USB, RS232, radio transmission, infrared transmission, ultrasound transmission, inductive coupling, etc), and/or components for wired or wireless remote communication, typically via a computer, telephone or satellite communications network.

The pen may also include an MMI (Man Machine Interface) 220 which is selectively activated for user feedback. The MMI may include a display, an indicator lamp, a vibrator, a speaker, etc.

Still further, the pen may include one or more buttons 222 by means of which it can be activated and/or controlled.

## 20 INFORMATION MANAGEMENT SYSTEM

Fig. 3 is an overview of an information management system in which the present invention may be used. As will be further explained below, the pen 200 incorporates pen stroke data in a file object 300 which is exposed to other components of the system. In one embodiment, the file object 300 is pushed to a given local or remote receiving device 302, 304, as indicated by paths 300A-300C in Fig. 3. Path A is set up directly between the pen 200 and the remote device 304, via a communication network 310. Path 300B is set up from the pen 200 to the remote device 304 through the local device 302 and via the network 310. Path 300C is set up between the pen 200 and the local device 302. In another embodiment, the file object 300 is exposed to be pulled from the pen 200 by the receiving device 302, 304, along any one of paths 300A-300C.

The local or remote receiving device may include a flow controller 306 that relays the file object 300, or data derived therefrom, to an application program 308 that resides either locally on the receiving device or on a remote device, as exemplified by paths 300C1, 300C2. Examples of such flow controllers are given in aforesaid US 2003/0046256, and in WO 03/056420 and WO 03/105064. More than one flow controller may be involved in the data transfer from the pen to the application program.

10 The flow controller 306 may be arranged to relay appropriate data to a destination address, for example via HHTTP (Hypertext Transfer Protocol) post, SMTP (Simple Mail Transfer Protocol), X.400, MMS (Multimedia Messaging Service), SMS (Short Message Service), database sync, etc. The destination address may be directly or indirectly given by relay data that the flow controller 306 extracts from the file object 300. In one embodiment, the flow controller thus extracts an explicit destination address from the file object. In another embodiment, the flow controller 306 extracts an address indicator from the file object and accesses a lookup table to derive a destination address based upon the address indicator. For example, the address indicator may be a page address, a global position, a pidget ID, a pen-resident parameter value etc. The appropriate data to be relayed may also be directly or indirectly given by the relay data. As an alternative to relaying the file object 300, the flow controller 306 may send a notification to the destination address that the file object 300 is available for retrieval.

30 Upon receipt of the file object 300, or the data derived therefrom, the application program 308 may access a page description that defines the originating physical product, i.e. the product from which the position data in the file object 300 originates (indicated by reference numeral P in Fig. 3). The page description defines the layout of the originating product P. Layout includes both

the physical layout and the functional layout of the product. The physical layout includes supporting graphics, i.e. human-understandable information aimed at instructing, controlling and/or informing a user. The functional layout defines the placement and size of any so-called user areas on the relevant pattern page(s). A user area is an application-specific functional area, with a placement, size and function that may be unique to the specific application program 308. In the page description, each user area may be assigned an identifier of a dedicated processing instruction, which is accessible to the application program. Alternatively, each processing instruction may be included in the page description. The physical layout may also be included in the page description, either as explicit instructions for generation of the physical layout, or as an indicator of a storage address of a computer file that defines the physical layout.

The structure, functionality and use of page descriptions are further described in US 2002/0040816 and WO 03/105064.

Fig. 4 further illustrates the interrelation between pattern page 402, template 400, page description 410 and physical product 420. The physical product 420 includes a position code (not shown) that defines positions within one or more pattern pages 402 (only one shown in Fig. 4). These positions are associated with one or more functions, which are either predefined in the system (for pidgets 404) or application-specific (for user areas 414). The pidgets 404 have a predefined placement and size within the pattern page 402, but may have any placement on the physical product 420. The page description 410 defines the placement, size and function any additional user areas 414 on the pattern page 402, as well as the physical layout of the product 420. Thus, the product 420 contains one functional layout part 400'



given by the template 400 and one functional layout part 410' given by the page description 410.

The pen stroke data in the file object 300 (Fig. 3) is self-supporting, i.e. the receiving application  
5 program 308 is able to access and process the data without any need for communication with the pen 200 that created the data. Thus, in contrast to the prior art, the pen 200 outputs data asynchronously, i.e. without any roundtrips in the information management system.

10 The file object 300 may be generated by the pen 200 in different levels of refinement. For example, the file object 300 may contain any one of the following, or combinations thereof:

(1) raw pen stroke data, i.e. the temporally  
15 coherent sequences of global or logical positions that make up the pen strokes;

(2) a picture of the pen strokes, i.e. an image that directly represents the recorded positions;

(3) refined pen stroke data, typically template-  
20 related information such as identifications of any pidgets touched by the pen strokes and/or the results of the functions associated with such pidgets;

(4) scrambled and/or encrypted pen strokes, for  
25 example to prevent unauthorized processing or distribution of the pen-generated data in the information management system. In one example, the page address may be manipulated according to a predetermined algorithm or eliminated from the pen strokes; and

(5) indications of all user areas touched by the pen  
30 strokes and/or the results of the functions associated with such user areas.

The file object 300 may, in any one of the refinement levels, contain additional pen- or stroke-related data, such as timestamps of the positions in the  
35 pen stroke and of any pidgets, force values of the positions in the pen stroke, and any pen-resident parameter(s). The timestamps will allow the application

program or the flow controller to combine strokes and/or pidgets based on their mutual time of recording. Each timestamp reflects the time when the originating image of a position/pidget was captured by the pen camera system 5 206 (Fig. 2). The force values will allow the application program to render an image of the strokes with force-dependent line width.

The pen-resident parameters are stored in the memory block 212 (Fig. 2) to identify a characteristic of the pen itself or of the owner/user of the pen. These 10 parameters may be used by the receiving application program 308 (Fig. 3), and may thus be at least selectively included in the file object 300. The inclusion of a pen-resident parameter may be decided by 15 the page address(es) of the strokes in the file object, and/or by the above-mentioned context or content information. The pen-resident parameters may include: a unique identifier of the pen, a language identifier, a name, a street address, an electronic mail address, a 20 phone number, a pager number, a fax number, a credit card number, etc.

The file object 300 may be either character-encoded or non-character-encoded (e.g. binary), and may be in any suitable format. The file format may be proprietary or 25 standardized, for example XML (Extensible Markup Language), HTML (Hypertext Markup Language), XForms, PDF (Portable Document Format), etc.

#### PEN CONTROL SYSTEM

30 The pen 200 operates by software being executed in the control unit 210 (Fig. 2). The overall software architecture will now be described with reference to Fig. 5 which illustrates some main software components.

The pen system software is based on modules. A 35 module is a separate entity in the software with a clean interface. The module is either active, by containing at least one process, or passive, by not containing any

processes. The module may have a function interface, which executes function calls, or a message interface, which receives messages. The active and passive modules are basically structured as a tree where the parent to a module is responsible for starting and shutting down all its children.

The pen system software also implements an event framework to reduce dependencies between modules. Each module may expose a set of predefined events that it can signal. To get a notification of a particular event, a module must be registered in an event register. The event register may also indicate whether notification is to take place by posting a message, or as a callback function.

The pen system software has two basic functions: store what the pen writes, and upon request expose the recorded information, which may or may not be subjected to a refining step before the exposure.

A combination of software modules implements a so-called coordinate pipeline 502, which is a flow of events for storage of strokes. A stream of global positions from an Image Processing module 504 is received by a Translator module 506, which converts the global positions to logical positions. If the Translator module 506 detects a stroke passing through a pidget, a corresponding pidget event is triggered. The pidget event causes appropriate action in other software modules, by these modules including an event listener that determines the respective relevance of the pidget event. The addressed pen strokes are then received by a Coordinate Manager module 508, which assembles them to addressed pen strokes that are encoded in a compact representation and stored in the memory block 212 (Fig. 2).

#### 1. Supervisor

As shown in Fig. 5, the pen system software includes a Supervisor module 509 which directly or indirectly initiates all other modules. The Supervisor module 509

includes an interface to the event register, so that modules can register themselves on the events they want to receive. The Supervisor module 509 also generates control events that are available to the listeners in other software modules.

## 2. Server

A Server module 510 is provided as a coordinator of events in the pen. It makes decisions what the pen should do based on the state of the system and incoming events.

## 3. Image Processing

The Image Processing module 504 will not be further described herein. It can for example be implemented according to Applicant's prior publications: US 2003/0053699, US 2003/0189664, US 2003/0118233, US 2002/0044138, US 6,667,695, US 6,732,927, US 2003/0122855, US 2003/0128194, and references therein.

## 4. Position database

The pen includes a position database 511 which resides in the memory block 212 (Fig. 2) of the pen and which can be edited or updated via the communications interface 218 (Fig. 2). The position database 511 is used by the Translator module 506 and contains a segment database 511A, which associates each segment with a template, given by a template index. The segment database 511A is suitably cached in a RAM memory for fast access. The position database 511 also contains a template database 511B which associates the template index with a pointer to a template definition, which may be stored as a parameter in non-volatile memory in the pen. Such a template definition may contain: Page X Size (16 bits), Page Y Size (16 bits), Number of pages (16 bits), Number of pidgets (16 bits), Pidget List (Number of pidgets long). The pidget list consists of a number of pidgets. Each pidget may be defined by: a pidget ID (16 bits, upper eight is Type, lower eight is Number), X upper left coordinate (16 bits), Y upper left coordinate (16 bits), Width (16 bits), Height (16 bits).

### 5. Translator

The above-mentioned Translator module 506 uses an algorithm that is based on known pattern formatting data to translate the global positions to logical positions. The pattern formatting data defines the hierarchical division of the coding pattern into pattern pages (Fig. 1). Part of the pattern formatting data may be pre-stored in the pen, while other parts may be dynamically derived from the position database 511 in the pen. For example, if all segments have a predetermined size, a global position may be processed to identify the current segment of this global position. Knowing the current segment, data on its division may then be derived from its template definition in the position database 511, whereupon the global position may be further processed to identify the current shelf, book, page, and local position, i.e. a full logical position. If the pen usually is operated on one and the same pattern page for some time, major speedup may be achieved by caching the boundaries of the current pattern page in global positions, and by checking any new global position against these boundaries. As long as the new global positions fall within the boundaries, the need for a recalculation of the page address is eliminated.

The Translator module 506 also detects if any recorded positions fall within a pidget on the current pattern page, by mapping the local positions against the relevant template definition, given by the position database 511. In one embodiment, only one pidget can be identified for each stroke, i.e. if several pidgets are identified, only the last pidget is considered. A corresponding pidget event is then generated for notification to other software modules. If no pidget is identified, the position is assumed to fall within a drawing area.

Thus, for each global position, the Translator module 506 provides at least a page address and a local

position. For each temporally coherent sequence of positions, i.e. a stroke, the Translator module 506 may also provide a pidget ID. Each logical position is also associated with a timestamp, given by a timing circuit of the control unit 210 (Fig. 2), and a force value, given by the contact sensor 216. Similarly, each pidget ID is associated with a timestamp. The Translator module 506 may also have an interface which allows other modules to look up information in the position database 511 about templates and pidgets.

#### 6. Coordinate Manager

The Coordinate Manager module 508 receives the logical positions from the Translator module 506. Before storage, it groups the logical positions into temporally coherent sequences, i.e. strokes. This may alternatively be done by the Translator module 506. The Coordinate Manager module 508 may then preprocess each stroke for compression and store the result in non-volatile memory. Examples of such compression and storage are given in US 2003/0123745 and US 2003/0122802.

The Coordinate Manager module 508 also contains an interface for other modules to search for stored strokes, e.g. based on page address, and to retrieve strokes in a transport format. In one embodiment, the transport format is binary and includes the following data: a session identifier, a start time for each stroke, local positions in each stroke, and a force value for each position. Optionally, the transport format may include orientation data which is calculated from the captured images to indicate the three-dimensional orientation of the pen during the recording of positions.

The session identifier is indicative of the pen working session during which the different sets of pen strokes have been input. For example, the session identifier may be a 32-bit signed integer value which is incremented each time the pen is switched on. The session identifier may be used by the application program 308

(Fig. 3) to reset any properties selected during a preceding working session, as will be described further below.

#### 7. Parameter Storage

5       The pen system also includes a Parameter Storage module 512. All other modules that have a need for keeping a state after pen shutdown call this module to store their state parameters. The Parameter Storage module 512 also handles pen-resident parameters set in  
10 production, such as unique pen parameters (pen identifier, etc.) or calibration parameters, as well as the template definitions. Each parameter is stored with name, size and data in non-volatile memory. The module 512 provides an interface 512' for insertion, retrieval  
15 and deletion of parameters.

#### 8. Keyboard

A Keyboard module 514 is included to enable text input to the pen. The template database 511B includes a specific control template which includes a keyboard  
20 pidget. The control template is defined for a range of pattern pages (e.g. segment, shelf or book), with a different language being assigned to the keyboard pidget on different pages. For reasons of memory-efficiency, the mapping of each keyboard key to a specific character  
25 resides in non-volatile memory, with different languages being assigned to different page address within the range of pattern pages. The keyboard module listens to paper events, and upon a keyboard pidget event it calculates what key has been hit and loads, based on the current  
30 page address, the appropriate letter from the memory. An interface 514' allows other modules to access the resulting letter(s).

#### 9. Item selection

A Item Selection module 516 is implemented to allow  
35 the pen user to select items from the pen memory with the pen. The template database 511B includes one or more dedicated pidgets that are associated with items in the

pen memory. Such an item could for example be an address record in a pen-resident address book. To select an item, the user ticks the corresponding pidget. The Item Selection module 516 is implemented to listen for related pidget events. Upon detection of such an event, it extracts the associated item and manages it in a bit vector internally. Other modules can then access the item through an interface 516'.

#### 10. Interpretation

10 An Interpretation module 520 is provided to interpret pen strokes. The interpretation module 520 is implemented to listen to related pidget events. Upon detection of such an event, it operates an interpretation function on the stroke associated with the event to produce an output item. Optionally, several strokes may be grouped, for example based on their location to the pidget, before the interpretation process. The interpretation function may for example convert the stroke(s) into machine-coded characters. The interpretation may be executed in a certain context (e.g. email, fax, SMS), given by the above-mentioned service identifier. Further, the interpretation function may be supported by a pen-resident dictionary, such as the above-mentioned address book. An interface 520' allows other modules to access the result of the interpretation.

#### 11. Property Assignment

A Property Assignment module 518 is provided to create a property table, which is a supporting data structure containing the properties that have been assigned to pen strokes by the user, suitably by the user bringing the pen to touch one or more property selection pidgets. Such properties may operate on the strokes that are temporally adjacent to the property selection event, i.e. preceding and/or following strokes, depending on implementation. The property table may include indications of all property values given by the ticked



property selection pidgets, as well as an associated timestamp.

Thus, the Property Assignment module 518 is implemented to listen for related pidget events. Upon  
5 detection of such an event, it extracts the associated pidget value from the template database 511B, and adds the pidget value to the property table.

The property may generally relate to instructions for the processing of strokes, or for the processing  
10 procedure itself. The property value may indicate a visual quality such as color, line thickness, line character, temporal resolution, or spatial resolution. Further, the property value may indicate a desired interpretation context (characters, digits, lower-case  
15 characters, upper-case characters, email address, fax number, bank account number, etc). In still another alternative, the property value indicates a page format parameter such as page break, page columns or page margins. Moreover, the property value may serve as an  
20 "access-granting" indicator to declare that various externally stored personal data (e.g. social security or personal number, telephone number, bank account number) may be used as input data when processing a certain set of pen strokes.

25 The property table allows the application program 308 (Fig. 3) to easily derive and apply the identified property values to the pen strokes. Thus, the application program does not need to match the pen strokes to a template definition to derive the selected property  
30 values, if any. Instead, the application program may directly apply the property values in the property table, by matching the property values to the pen strokes, based on the respective timestamps. This matching may also take into account the above-mentioned session identifier,  
35 which is included in the strokes as represented in the above-mentioned transport format. Thus, each time the session identifier changes in the stroke data, all

properties are reset to their default values. As an alternative or complement to being included in the stroke data, the session identifier may be included as a timestamped item in the property table.

## 5        12. File Assembly

A File Assembly module 522 is implemented to generate the file object 300 (Fig. 3) to be exposed to data handlers outside the pen. The module 522 is implemented to listen for a dedicated event, such as a  
10 trigger pidget event. Upon detection of the dedicated event, it retrieves from the Coordinate Manager module 508 the strokes associated with the trigger pidget, in binary transport format.

Evidently, the functionality of the File Assembly  
15 module 522 will depend on the level of refinement. The above steps are sufficient for level 1 refinement, as defined above.

For level 3 refinement, the module 522 may retrieve data items from other modules, given by other pidgets  
20 associated with the trigger pidget. Such data items may be retrieved from the Keyboard module 514, the Item Selection module 516, the Property Assignment module 518, and the Interpretation module 520. If necessary, the module 522 also combines such data items, for example  
25 characters from the Keyboard module 514, or output items from the Interpretation module 520. Finally, the module generates the file object 300 (Fig. 3), which is made available to other modules via an interface 522'.

Such a file object may for example have the  
30 following structure:

**File Header** (Trigger Pidget ID, Page Address, Number of pages, Number of properties)

**Page data header** (Page Address, Number of pidgets)

35        **Page data** (Stroke data in transport format)

**Pidget data** (Pidget ID(s), Timestamp(s))

**Property data** (Pen-resident parameter value(s),  
Output item from Keyboard, Output item from Item  
Selection, Output item from Interpretation, Property  
table from Property Assignment)

5

The file object allows the application program 308  
(Fig. 3), and optionally the flow controller 306, to  
identify and extract all or selected parts thereof.

The generation of a file object in refinement levels  
10 2, 4 and 5 will be further described below in sections  
14. Stroke Converter, 15. Encryptor, and 16. Importer,  
respectively.

The selection of strokes to be included in the file  
object may be determined from the content information  
15 that is included the trigger pidget ID. Such content  
information may, for example, indicate the current  
pattern page or book, i.e. the selected strokes should  
belong to the same page unit group as the trigger pidget.  
Clearly, there are alternative ways of selecting strokes.  
20 For example, strokes may be selected from within a  
bounding area defined by dedicated pen strokes (i.e. the  
pen is moved on the product to indicate to the pen what  
to expose). In another example, all strokes in the pen  
memory are automatically selected for exposure, suitably  
25 with one file object being created for each pattern page  
or book. Optionally, strokes may be selected with respect  
to a time reference, for example the time for the last  
exposure of data.

All the thus-selected strokes may be incorporated as  
30 strokes in the file object. Alternatively, only those  
strokes that are not represented as pidgets and/or  
property data are incorporated as actual strokes in the  
file object.

The File Assembly module 522 may also be implemented  
35 to insert freestanding data in the file object, the  
freestanding data being related neither to the pen  
strokes recorded by the pen, nor to the pen itself.

Instead of being inserted, the freestanding data may be associated with the file object, e.g. by the file object including a pointer to another file object with such data.

5           The freestanding data may include any kind of non-position data, which may be derived by a sensor in the pen or be received by the pen via the communications interface 218 (Fig. 2). In one example, the freestanding data is input by the same image sensor that captures the  
10 images used for position determination. In another example, it is input by an auxiliary image sensor in the pen. Such freestanding data may be in the form of one or more images (i.e. still or moving images), or of data extracted from such images (e.g. data decoded from bar  
15 codes or any other machine-readable codes, or machine-coded text resulting from optical character recognition (OCR) processing). In yet another example, the freestanding data may be audio data recorded by an audio sensor in the pen.

20           The File Assembly module 522 may be triggered to connect the freestanding data to the file object by an event which may be generated by the Translator module 506 identifying a dedicated pidget in the stream of coordinates or by the Interpretation module 520 detecting  
25 one or more pen strokes forming a dedicated command. Alternatively, the event may be generated by the pen system detecting a button 222 (Fig. 2) on the pen being pressed, by the pen system detecting a dedicated audio command (e.g. via a microphone in the pen), or by the pen  
30 system detecting receipt of a specific parameter value, a dedicated flag bit(s) or the like in data received on the communications interface 218 (Fig. 2).

In one user scenario, the user may move the pen across a bar code on a product. A software module in the  
35 pen identifies and decodes the bar code according to a suitable extrinsic standard, such as EAN or UPC, e.g. into a product identification number. The user may then

command the pen to create and expose a file object including the product identification number and any position data recorded on the product or another product. The file object may, e.g., be used to communicate the product identification number for order placement,  
5 purchase or information retrieval via the information management system. In yet another alternative, the product identification number is used to identify the position-coded product in the information management  
10 system, i.e. to replace or supplement the above-mentioned page address.

In another user scenario, the user commands recording of audio, via a microphone in the pen or in an attachment to the pen, optionally synchronously with  
15 writing with the pen on a position-coded product. The user may then command the pen to create and expose a file object including the audio recording and any position data recorded on the product. The file object may, e.g., be used to form an audio-augmented note-taking record, or  
20 to form a combined audio and written message to be communicated to a recipient via the information management system.

In still another user scenario, the user commands recording of a digital photograph or a video sequence, by  
25 means of an image sensor in pen or in an attachment to pen. Again, the user may command the pen to create and expose a file object including the photograph or video recording and any position data recorded on a product. The file object may, e.g., be used to create a multimedia  
30 message or electronic postcard to be communicated to a recipient via the information management system.

In yet another variant, the freestanding data includes at least part of aforesaid relay data, preferably in the form of an explicit address of an  
35 intended recipient in the information management system, such as the receiving device 304 that hosts the relevant application program 308 (cf. Fig. 3).

### 13. Exposure

An Exposure module 524 is provided to expose the collected data to data handlers outside the pen. The module is implemented to listen for a dedicated event, such as a trigger pidget event. Upon detection of the dedicated event, it retrieves the file object from the File Assembly module 522, and exposes the data file object, either by pushing the file to a specific device/port, given by the device identifier, or by allowing an external data handler to pull the file object from the pen. For example, the file objects may be stored in a file system in the pen memory, the file system being exposed to the external data handler. For example, the file system may be exposed for browsing via USB (Universal Serial Bus), FTP (File Transfer Protocol), HTTP (Hypertext Transfer Protocol) or any other suitable protocol.

The Exposure module 524 contains all necessary protocol stacks, and is designed to be independent of transmission means, by the responsibility of setting up a link being assigned to a separate module and by working with device abstractions. The responsibility of setting up the link has been assigned to a Link Selection module (not shown). The Link Selection module handles the selection and setup of a communication link, for example when the pen is to execute an exposure of a data file object.

In one embodiment, the Exposure module may switch between an asynchronous mode, with exposure of an autonomous file object, and a conventional synchronous mode, with on line end-to-end communication of data. The mode may be indicated by the event that triggers the exposure.

### 14. Stroke Converter

For level 2 refinement, the pen system may include a Stroke Converter module 526 which transfers a given set of strokes to a picture buffer in the memory block 212

(Fig. 2), and a picture encoder which encodes the picture buffer to an image of a given type, for example a bitmap format or a vector graphics format. The Stroke Converter module may also be implemented to apply any properties assigned by the Property Assignment module 518 to the strokes during the image conversion procedure. For example, it may build a timestamped table with all visual quality changes detected by the Property Assignment module 518, and apply the changes to the strokes while transferring the strokes to the picture buffer.

#### 15. Encryptor

For level 4 refinement, the pen system may include an Encryptor module 528 that processes all or selected parts of the file object according to a predetermined encryption algorithm, to generate an encrypted file object. Alternatively or additionally, the Encryptor module may eliminate or scramble the page address of all or a subset of the strokes. For example, the elimination/scrambling operation may be applied only to strokes from certain page addresses.

#### 16. Importer

As mentioned above, non-position data may be imported into the pen via a sensor in the pen or via the communications interface (218 in Fig. 2). For example, the sensor may be an audio sensor, e.g. a microphone, or an image sensor, either the primary sensor producing images for position determination or an auxiliary sensor.

The pen system may thus include one or more Importer modules 530. Such an Importer module may be dedicated to a specific means of import, such as image sensor data, audio data or communications interface data. Alternatively or additionally, such an Importer module may be dedicated to handling a particular type of data, such as machine-coded text, data associated with a bar code or another specific type of machine-readable code, photographic data, video sequence data, etc.

Below, a particular type of Importer module will be described in more detail, namely a Definition Importer module.

Such a Definition Importer module is capable of  
5 importing into the pen system, definition data that defines all or some functional areas on one or more specific pattern pages. The definition data may correspond to the above-mentioned template definition, or may be the above-mentioned page description that  
10 identifies user areas on the pattern page, or any combination or subset thereof.

As will be described further below, such definition data may allow the pen to be operated with more advanced user feedback/control, as well as to provide a file  
15 object in refinement level 5.

The Definition Importer module may be arranged to import the definition data, automatically or on command, via the communications interface (218 in Fig. 2) of the pen. For example, the pen may connect to a local device  
20 (302 in Fig. 3) which retrieves the definition data, from internal memory or from a dedicated network server, and provides this definition data to the pen. Alternatively, a definition data kit may be provided to the pen user on a CD ROM, floppy disk, USB memory, etc, or via  
25 downloading from an Internet site. After proper installation in a local device communicating with the pen, the local device is capable of providing the definition data kit, or selected parts thereof, to the pen. In yet another alternative, the pen may connect to a  
30 dedicated server on a communication network, from which the Importer module derives the definition data. It is also conceivable that the definition data is provided in a memory unit which is removably installed in the pen to be accessed by the Importer module. The memory unit may  
35 be in the form of a card or a cartridge of any known type, such as SD card, CF card, SmartMedia card, MMC, Memory Stick, etc. In all of these embodiments, the



definition data is typically imported in a specific upgrade session which results in the definition data being stored in pen memory. The pen is then operable on all pattern pages that are supported by the thus-imported and stored definition data.

In one specific embodiment, however, the pen is capable of inferring such definition data from the recorded images.

To this end, as indicated in Fig. 6, a product 600 may be provided with both a position code 602 (enlarged at 602A) and a definition code 604 (enlarged at 604A). The definition code 604 codes definition data that may apply to a specific pattern page or a range of such pages, for example a book or a shelf. The definition data suitably includes an identifier of the applicable pattern page(s), for example in the form of one or more page addresses.

In a typical user scenario, the user moves the pen across the definition code to input a relevant template definition or page description for a certain product. The definition code may be provided either as integrated with the product or as separate from the product, and may be input to the pen either before, during or after recording of position data from the product.

The use of a definition code makes it possible to add a template definition or page description to the template database (511B in Fig. 5) of the pen. Thus, the pen only needs to pre-store, in the position database, the pattern formatting data that defines the size and placement of a specific subset of the abstract pattern, such as a segment, shelf, book or page. All information about placement and function of pidgets and user areas on the pattern page(s) within this subset may be included in the imported definition data.

With increasing awareness of user areas, the pen can be operated with more advanced control and/or user feedback. For example, the pen may signal that a position

falls within a certain user area, via activation of the MMI (220 in Fig. 2). Further, the pen may be instructed, suitably by an instruction in the definition data, to block output of pen strokes on a pattern page until the pen has recorded pen strokes in a predetermined set of user areas on the pattern page. The pen may even be capable of verifying that the product, e.g. a single- or multi-page form, has been properly filled in.

Many different large-capacity codes are available to code the non-sequential definition data, such as two-dimensional bar codes or matrix codes. Further examples of suitable codes, and methods for their decoding, are given in Applicant's prior publications: US 2001/0038349 and US 2002/0000981, as well as in Applicant's US provisional application 60/582,861, filed on June 28, 2004.

To handle such definition codes, the pen system may be modified, as exemplified in Fig. 7. Here, the Image Processing module 704 is capable of processing the recorded images into a stream of positions or a stream of non-position data. The stream of non-position data is analyzed by the Translator module 706 which may identify the non-position data as definition data and issue a definition data event. Upon detection of such an event, the Importer module may be implemented to build a template definition or page description from the definition data and store the result, indexed by the relevant page address(es), in the template database (511B in Fig. 5) or in a page description database, which is a part of the position database (511 in Fig. 5) dedicated to storage of page descriptions. The Importer module may be arranged to intermittently process the template database/page description database to free memory capacity by eliminating records based on frequency of use, time since last use, etc.

It should be noted that the Translator module 706 may be implemented to match recorded positions against

both the template database and the page description database. Thus, the Translator module 706 may output events indicative of user areas, in addition to pidgets.

Returning now to the level 5 refinement, the File Assembly module (522 in Fig. 5) may include in the file object an identifier of each user area hit by the pen strokes on one or more pattern pages. If the imported definition data also details the functions associated with the user areas, the pen system may be designed to process the pen strokes according to such imported definition data. In such a case, the File Assembly module may incorporate the results of such processing into the file object.

The File Assembly module may also include a definition of the physical layout, or parts thereof, in the file object. Such a definition may include an electronic representation of the physical layout, or a pointer to a storage location in the information management system, at which such an electronic representation is available.

In a specific embodiment, to make the file object more platform independent, the pen system may be arranged to render the physical layout as a set of pen strokes, and incorporate these fictitious pen strokes to represent the physical layout in the file object. Thus, one and the same algorithm can be used to extract and recreate the pen strokes and the physical layout from such a file object.

Additionally or alternatively, the File Assembly module may treat the definition data as freestanding data, which is wholly or partly included in or attached to the file object.

The use of definition data and definition codes may allow for simple and expedient generation and use of coded substrates or products in an asynchronous information management system. A user may utilize a computer-based generation tool, such as the one disclosed

in Applicant's prior publication US 2002/0040816, to create a suitable product. As shown in Fig. 8, the tool may be used to define both the physical layout and the functional layout of the product (steps 800, 802). The tool then generates the definition data that represents at least the functional layout of the product (step 804), and defines the position code to be printed on the product (step 806). Subsequently, the position code, the definition code and the physical layout is rendered (steps 808-812) for application to a substrate by means of a print engine in a printer (step 814). All or parts of such rendering may be effected in the tool or in the printer.

As noted above, the printed definition data may also represent the physical layout of the product, either as a background picture or as the full/original electronic representation of the supporting graphics, such as a word processing document, a presentation document, an electronic mail, etc. As another alternative, the physical layout may be defined in the form of a pointer to a storage location in the information management system, at which the physical layout is available in some form. In the latter case, the generation tool may prompt the user to select or identify the storage location before printout.

Alternatively or additionally, the pen system may include an Importer module which is arranged to import the above-mentioned relay data, automatically or on command. Such imported relay data may explicitly identify the destination address of an intended recipient in the information system, for example the receiving device (304 in Fig. 3) that hosts the relevant application program (308 in Fig. 3). The destination address may be given as a network address such as a URL (Uniform Resource Locator), an electronic mail address, an IP (Internet Protocol) address, etc.

By allowing the pen system to import an explicit destination addresses, the flow control in the information system may be simplified. In one example, the pen system may push the file object directly to the intended receiving device or application program. In another example, the pen system includes the explicit destination address in the file object, to allow any intercepting flow controller (e.g. 306 in Fig. 3) to operate directly on this address to relay the appropriate data to the intended recipient. Thus, the need for flow controllers to access the above-mentioned lookup tables is reduced.

Alternatively or additionally, the pen system may include an Importer module for usage limitation data. This data sets a limit to the pen system for the usage of particular position data recorded by the pen system. For example, the data may define the maximum number of times that position data may be recorded from the product, or the maximum number of times that such recorded position data may be transmitted from the pen. Alternatively, the data may define an expiration date after which the pen system is prohibited from recording position data from the products or transmitting such recorded position data. The use of an expiration date may require the pen's timing circuit to be synchronized with a common time reference in the information system.

The provision of usage limitation data allows for control of the use of coded products in the information system. Such control may be important for products representing an amount of money, such as checks, vouchers, gift certificates, tickets, etc. Usage control may also be important for applications with an inherent time deadline, such as examinations, tests, polls, surveys, voting, games and gaming, etc. Still further, by limiting the usage of products, a provider in the system may ensure future revenues since users must acquire new

products to replace the expired products, or re-enable the expired products.

Alternatively or additionally, the pen system may include an Importer module for security data which may be used by the pen system to provide secure data transfer from the pen to a receiving device.

The security data may signal to the pen system that data should be encrypted. Further, if the Encryptor module (528 in Fig. 5) supports different encryption methods, the security data may include an identifier which identifies a specific encryption method to be used for encryption of data by the Encryptor module.

It should be noted that not all data in the file object need to be encrypted. In the event that the file object should be relayed by a flow controller (306 in Fig. 3), at least the relay data should be non-encrypted to be accessible to the flow controller. Likewise, any other data in the file object that is needed for decryption in the receiving device should be non-encrypted, as will be further explained below. In one embodiment, the imported security data defines at least partly the data to be encrypted.

The Encryptor module can use either symmetric or asymmetric encryption, or a combination thereof, to ensure at least confidentiality (the information is kept secret during transmission), but preferably also authentication (assuring the receiver that the identity of the sender of the information is not false) and/or non-repudiation (neither the sender nor the recipient of information is able to deny the transmission) of the transmitted information. The integrity (the information has not been altered during the transmission) of the information may also be guaranteed, suitably by using predetermined hash functions.

There are many available standard encryption algorithms that may be used, such as the Triple Data Encryption Standard (3-DES) algorithm, the Advanced

Encryption Standard (AES) algorithm, the International Data Encryption Algorithm (IDEA), the Diffie-Hellman (DH) algorithm and the Rivest-Shamir-Adleman (RSA) algorithm. Further suitable encryption algorithms, and related  
5 methods, are disclosed in Applicant's publications US 2002/0034300, US 2003/0021419 and US 2003/0074562, which are incorporated herein by this reference.

Below, for the sole purpose of illustration, a few  
10 embodiments of the encryption process in the pen are described.

In a first embodiment, the pen system derives an encryption key, either by extracting the key from the imported security data or by operating a predetermined algorithm on a predetermined input item. The  
15 predetermined algorithm, e.g. a hash function, may be pre-set or be indicated to the pen system by the security data. Likewise, the predetermined input item may be pre-set or be indicated to the pen system by the security data. In fact, in one special embodiment, the pen system  
20 is capable of deriving the encryption key without any security data, by operating a pre-set algorithm on a pre-set input item. The above-mentioned definition data, or part thereof, may form such an input item.

Then, before exposure of the file object, the pen  
25 system uses the encryption key to encrypt part of the data in the file object. The integrity of the file object may be guaranteed by calculating a hash value for the entire content of the file object before encryption, and by including this hash value in the non-encrypted part of  
30 the file object.

In the first embodiment, the receiving device must  
have access to the encryption key to be able to decrypt the encrypted part of the file object. Thus, the key may be stored in the receiving device. Alternatively, the  
35 receiving device may access a database which associates encryption keys with page addresses. The aforesaid generation tool may then interact with this database, so

that an appropriate association is created therein for each coded product that is generated. Thus, upon receipt of the file object, the receiving device may extract a page address (from the non-encrypted part of the file object), derive the proper encryption key from the database based on this page address, and use the encryption key to decrypt the encrypted part of the file object. For increased security, the encryption key is only available for decryption of data received from a specific pen or a specific type of pen, given by the pen parameter. Further, any well-known measure for authentication and confidentiality may be provided in the communication between the receiving device and the database.

15 In a second embodiment, the pen system extracts a public key of the intended receiving device from the imported security data, derives a random number from a random number generator in the pen, uses the public key to encrypt the random number, and includes the thus-encrypted random number in the file object. Further, the pen system calculates, based on a first predetermined algorithm, a hash value for the random number, and uses this hash value as an encryption key for encrypting part of the data in the file object. Again, the integrity of the file object may be guaranteed by calculating, based on a second predetermined algorithm, a hash value for the entire content of the file object before encryption, and by including this hash value in the non-encrypted part of the file object.

30 Upon receipt of the file object, the receiving device may extract the encrypted random number from the file object, use its private key to decrypt the encrypted random number, calculate the hash value for the random number, by using the first predetermined algorithm, and use the hash value as an encryption key for decrypting the encrypted part of the file object.



In one embodiment, the relay data and/or usage limitation data and/or security data is imported, typically in a preparatory upgrade session, via the pen's communications interface or from a memory unit inserted  
5 in the pen. In another embodiment, this input data is imported by the pen system identifying and decoding a machine-readable code in one or more images recorded by the primary image sensor of the pen.

Thus, the relay data, usage limitation data and  
10 security data may be embedded on the product as one or more machine-readable codes, in analogy with the definition code 604 in Fig. 6. Such products may, similarly to the above definition-coded products, be generated by a computer-based generation tool based on  
15 user input. Thus, a user may input a destination address of the receiving device or the application program to be encoded as relay data on the product. Likewise, a user may input the above-mentioned maximum number or expiration date. Similarly, a user may input security  
20 data for use by the pen system's Encryptor module in encrypting at least part of the data to be exposed in the information system.

The relay data, usage limitation data and security data may apply to a specific pattern page or a range of  
25 such pages. Thus, this input data suitably includes an identifier of the applicable pattern page(s), for example in the form of one or more page addresses.

It should be clear that the definition data, relay data, usage limitation data and security data may each  
30 apply to different levels of the page unit hierarchy, even if encoded in one and the same machine-readable code or imported in an upgrade session over the communications interface.

In one embodiment, the Importer module stores the  
35 imported input data (definition data, relay data, usage limitation data and security data) in a hierarchical data structure in pen memory, wherein data stored on one level

of the data structure is applicable to both this level and any subordinate levels. The data structure typically reflects the page unit hierarchy (Fig. 1), so that each subordinate level represents a subset of the page unit group associated with its superior level. Thus, the Importer module stores every item of input data on its appropriate level in the hierarchy, based on its associated page address(es). Such storage provides for efficiency in finding all imported input data to be used in the processing of position data from a specific page unit, since the pen system may simply accumulate the input data that is stored for the relevant page unit group on each level in the hierarchy, between a top-most level and the specific page unit. For example, security data associated with a specific segment is stored on segment level in association with the specific segment, usage limitation data associated with a specific shelf in this segment is stored on shelf level in association with the specific shelf, relay data associated with a specific book in this shelf is stored on book level in association with the specific book, and definition data associated with a specific page in this book is stored on page level in association with the specific page. In this example, when the pen system shall process positions that belong to the specific page unit, it will find the relevant definition data on the page level, the relevant relay data on the book level, the relevant usage limitation data on the shelf level, and the relevant security data on the segment level.

The invention has mainly been described above with reference to a few embodiments. However, as is readily appreciated by a person skilled in the art, other embodiments than the ones disclosed above are equally possible within the scope and spirit of the invention, which is defined and limited only by the appended patent claims.

For example, events may be generated in the pen system by the user pressing a button on the pen or

issuing a verbal command to be recorded by a microphone in the pen. Thus, the trigger pidget event may be replaced or supplemented by such an event. Likewise, the content and/or context information may be indicated in  
5 the pen system by such alternative events.

It is conceivable for the pen system to automatically create a file object whenever a pen stroke is recorded. Each such file object may be created to contain strokes for a respective pattern page or book.  
10 The file objects may then be exposed either on command, or automatically, to an external data handler. Automatic exposure may involve exposure of a file system in the pen memory via the communications interface.

In the above embodiments, the division of the  
15 abstract pattern is dynamic, in that the logical positions are calculated based upon the position database in the pen. In an alternative embodiment, the division of the abstract pattern may be static, by being encoded in the pattern. For example, US 6,330,976 discloses a coding  
20 pattern in which coding cells are tiled over the product surface, each cell coding both a local position and a page identifier. By decoding the pattern, the pen is thus capable of directly detecting its logical position.

It should also be noted that the pen may include  
25 complementary equipment for relative positioning, such as accelerometer, roller ball, triangulation device, etc. Thus, the pen may supplement the absolute positions derived from the position code with the relative positions given by the complementary equipment. In this  
30 case, the position code need only code few absolute positions on the product.

Further, the pen system may be based on any distribution of functionality between different software modules. In fact, the pen system software need not be  
35 made up of separate modules.

Still further, certain aspects of the present invention are not limited for use with file objects as

described herein. In particular, the above Importer  
functionality (section 16. Importer) may be incorporated  
also in pen systems designed for end-to-end communication  
with lookup servers and application servers, as described  
5 by way of introduction.

## CLAIMS

1. In an electronic pen, a method of managing digitally recorded position data, comprising:  
5 incorporating said position data into a data file object suitable for storage in a file system; and exposing said file object to an external data handler.
2. The method of claim 1, further comprising:  
10 mapping said position data against a position database in said pen, said position database associating position data with processing rules.
3. The method of claim 2, wherein said step of incorporating is initiated only when a dedicated processing rule is identified in said position database  
15 based on said recorded position data.
4. The method of claim 3, further comprising:  
incorporating into said data file object a rule identifier indicative of the dedicated processing rule that initiated said step of incorporating.
- 20 5. The method of claim 2 or 3, further comprising:  
incorporating into said data file object a rule identifier indicative of each processing rule identified during said step of mapping.
6. The method of claim 4 or 5, further comprising:  
25 including a time identifier for each rule identifier in said data file object.
7. The method of any one of claims 1-6, further comprising: identifying in said position data at least one page unit identifier and a set of position items;  
30 grouping at least part of said position items into temporally coherent stroke items and associating each stroke item with its page unit identifier; and incorporating said stroke items and said page unit identifier(s) into said data file object.
- 35 8. The method of claim 7, further comprising:  
incorporating in said data file object at least one of a time identifier for each stroke item; a value of a pen-

resident parameter indicative of a characteristic of the pen; and a value of a pen-resident parameter indicative of a characteristic of the pen owner.

9. The method of claim 7 or 8, wherein said step of  
5 incorporating said stroke items includes grouping said stroke items by page unit identifier.

10. The method of any one of claims 3-6 in combination with any one of claims 7-9, further comprising: identifying, from said dedicated processing  
10 rule, at least one page unit identifier; and incorporating into said data file object those stroke items that are associated with the thus-identified page unit identifier(s).

11. The method of any one of claim 7-10, wherein  
15 each page unit identifier is a global address within a coding pattern to a specific page unit thereof.

12. The method of claim 11, wherein said position items are local positions within said specific page unit.

13. The method of claim 11 or 12, wherein said  
20 position data is recorded by the pen from said coding pattern.

14. The method of any one of claims 2-6 in combination with any one of claims 11-13, wherein said position database associates each page unit with one of a  
25 plurality of templates that defines functional areas within said page unit, each functional area being indicative of one of said processing rules, wherein said step of mapping includes: identifying one of said page units based on said position data; identifying one of  
30 said templates based on the thus-identified page unit; and identifying at least one functional area by mapping said position items against the thus-identified template.

15. The method of any one of claims 2-6, further comprising: deriving, from said position database and  
35 based upon said position data, a processing rule; and operating the thus-derived processing rule on at least

part of said position data to generate a dynamic parameter value.

16. The method of claim 15, further comprising: incorporating said dynamic parameter value in said data file object.

17. The method of claim 15 or 16, wherein said processing rule includes instructions of a character recognition process, and said dynamic parameter value is a text item.

18. The method of any one of claims 1-17, wherein said data file object is a pure data storage object that lacks any processing instructions and calls to such instructions.

19. The method of any one of claims 1-18, further comprising: detecting a change in working session of the pen; and assigning a unique session identifier to the current working session.

20. The method of claim 19, further comprising: incorporating said session identifier in said data file object.

21. The method of any one of claim 1-20, further comprising: deriving, from a text database and based on said position data, a text item stored in a memory of said pen.

22. The method of claim 21, further comprising: incorporating said text item in said data file object.

23. The method of claim 21 or 22, wherein said text item is an address for electronic communication.

24. The method of claim 21 or 22, wherein said text database includes a keyboard definition that associates individual sets of position data with individual characters, and wherein said text item includes at least one of said characters.

25. The method of any one of claim 1-24, wherein said position data includes a first type, which represents graphical information reflecting a movement of the pen, and a second type, which represents processing

rules to be applied to the position data of the first type externally of the pen, said method further comprising: incorporating said position data of the first type as temporally coherent stroke items in said data file object; incorporating in said data file object a time identifier for each stroke item; incorporating in said data file object a rule identifier for each processing rule that is identified from said position data of the second type; and incorporating in said data file object a time identifier for each rule identifier.

26. The method of claim 25, wherein said processing rule operates on: a visual graphical property; a temporal or spatial resolution; a background image; an interpretation context; or an indication of restricted access.

27. The method of any one claims 1-26, further comprising: incorporating non-position data in said data file object.

28. The method of claim 27, wherein said non-position data includes: bar code data recorded by the pen; audio data recorded by the pen; image data recorded by the pen; image data received by the pen on an interface for external communication; character data derived by the pen; or character data received by the pen on an interface for external communication.

29. The method of any one of claims 1-28, further comprising: receiving character data on an interface for external communication; converting said character data to position data; and incorporating said converted character data in said data file object.

30. The method of any one of claims 1-29, wherein said step of exposing includes transmitting said data file object to the external data handler.

31. The method of any one of claims 1-29, wherein said step of exposing includes storing the data file object in a file system within said pen, said file system being accessible to the external data handler.



32. The method of any one of claims 1-31, further comprising: identifying a selection of position data to be exposed; extracting, according to said selection, previously recorded position data from a memory in the electronic pen, the thus-extracted position data being  
5 incorporated in said data file object.

33. The method of any one of claim 1-32, further comprising: converting recordings of a first code on a product to at least one absolute position in a coordinate  
10 system; converting recordings of a second code to input data; and processing said at least one absolute position on the basis of said input data.

34. The method of claim 33, wherein said recordings comprises images of surface portions of said product.  
15

35. The method of claim 33 or 34, wherein said input data defines at least one functional area in said coordinate system, said method further comprising mapping said at least one absolute position against said input data to identify if said at least one absolute position  
20 falls within said at least one functional area.

36. The method of claim 35, further comprising deriving, based upon said input data, a processing rule for said at least one functional area.

37. The method of claim 36, further comprising  
25 operating said processing rule on said at least one absolute position that falls within said functional area.

38. The method of any one of claims 35-37, further comprising operating an MMI of said pen based upon identification of said at least one absolute position  
30 falling within said at least one functional area.

39. The method of any one of claims 33-38, wherein said first code defines a unique identifier of said product, said method comprising deriving said unique identifier from said recordings of said first code, and  
35 comparing the thus-derived identifier with a corresponding identifier included in said input data.

40. The method of any one of claims 33-39, wherein said input data comprises usage limitation data, said method further comprising restricting, on the basis of said usage limitation data, said processing of said at least one absolute position.

41. The method of claim 40, wherein said usage limitation data is indicative of at least one of: a time limit after which said processing is prohibited; a first event limit which defines a maximum allowable number of initiations of said processing; and a second event limit, which defines a maximum allowable number of initiations of said converting recordings of said first code.

42. The method of any one of claims 33-41, wherein said input data comprises security data that is used in encrypting said at least one absolute position.

43. The method of claim 42, wherein said security data is indicative of at least one of: an encryption key; and an encryption method.

44. A computer program product that can be loaded into a memory belonging to a processor and which comprises program code for carrying out the method of any one of claims 1-43.

45. An electronic pen, in which a processor means is arranged to carry out the method of any one of claims 1-43.

46. An electronic pen for writing on a product, comprising:

an image reader which records at least one image of the product during said writing;

an image processor which determines position data based upon said at least one image, said position data being indicative of said writing;

a file assembler which incorporates said position data into a data file object suitable for storage in a file system; and

an exposer which exposes said file object to an external data handler.

47. The electronic pen of claim 46, wherein said product is provided with at least one subset of a position-coding pattern that codes continuous sequences of positions in a two-dimensional coordinate system, said position data being derivable from said position-coding pattern.

48. The electronic pen of claim 47, further comprising:

a memory which stores a position database that defines a plurality of page units in said two-dimensional coordinate system, and

processing logic which maps said position data against said position database.

49. The electronic pen of claim 48, wherein said processing logic, by mapping said position data against said position database, identifies a page unit identifier which is indicative of one of said page units, and wherein said file assembler is controlled to incorporate said page unit identifier in said file object.

50. The electronic pen of claim 49, wherein said processing logic, based upon said position database, identifies a set of position items belonging to said one page unit, and wherein said file assembler is controlled to incorporate said set of position items in said file object in association with said page unit identifier.

51. The electronic pen of claim 50, wherein said position database associates each page unit with one of a plurality of templates that defines functional areas within said page unit, each functional area being indicative of a processing rule, wherein said processing logic identifies one of said page units based on said position data; identifies one of said templates based on the thus-identified page unit; and identifies at least one functional area by mapping said position items against the thus-identified template.

52. The electronic pen of any one of claims 46-51, wherein said image processor is operable to determine

said position data based upon at least one image of a first code on the product, said position data comprising at least one absolute position in a coordinate system; and wherein said image processor is operable to determine  
5 input data based upon at least one image of a second code; and wherein said processing logic is operable to process said at least one absolute position on the basis of said input data.

53. The electronic pen of claim 52, wherein said  
10 input data defines at least one functional area in said coordinate system, and wherein said processing logic maps said at least one absolute position against said input data to identify if said at least one absolute position falls within said at least one functional area.

15 54. The electronic pen of claim 53, wherein said processing logic derives, based upon said input data, a processing rule for said at least one functional area.

55. The electronic pen of claim 54, wherein said  
20 processing logic operates said processing rule on said at least one absolute position that falls within said functional area.

56. The electronic pen of any one of claims 52-55, wherein said input data comprises usage limitation data, said processing logic restricting, on the basis of said  
25 usage limitation data, its processing of said at least one absolute position.

57. The electronic pen of any one of claims 52-56, wherein said input data comprises security data, said pen further comprising an encryptor which is operable to  
30 encrypt said at least one absolute position, based on the security data.

58. The electronic pen of any one of claims 46-57, wherein said file assembler includes an event listener, which upon receipt of a trigger event initiates the  
35 incorporation of said position data in said file object.

59. The electronic pen of any one of claims 46-58, wherein said exposor includes an event listener, which

upon receipt of a trigger event initiates the exposure of said file object.

5 60. The electronic pen of claim 58 or 59, wherein said processing logic generates said trigger event based upon said position data.

10 61. The electronic pen of claim 58 or 59, further comprising an audio sensor which is operatively connected to said processing logic, wherein said processing logic generates said trigger event based upon a vocal command recorded by said audio sensor.

15 62. The electronic pen of claim 58 or 59, further comprising a trigger button which is operatively connected to said processing logic, wherein said processing logic generates said trigger event based upon a detection of a predetermined state change of said trigger button.

20 63. An information management system, comprising: a product provided with at least one subset of a position-coding pattern; the electronic pen of any one of claims 45-62; and an application processor which obtains the data file object from the external data handler and processes the position data therein.

1/6

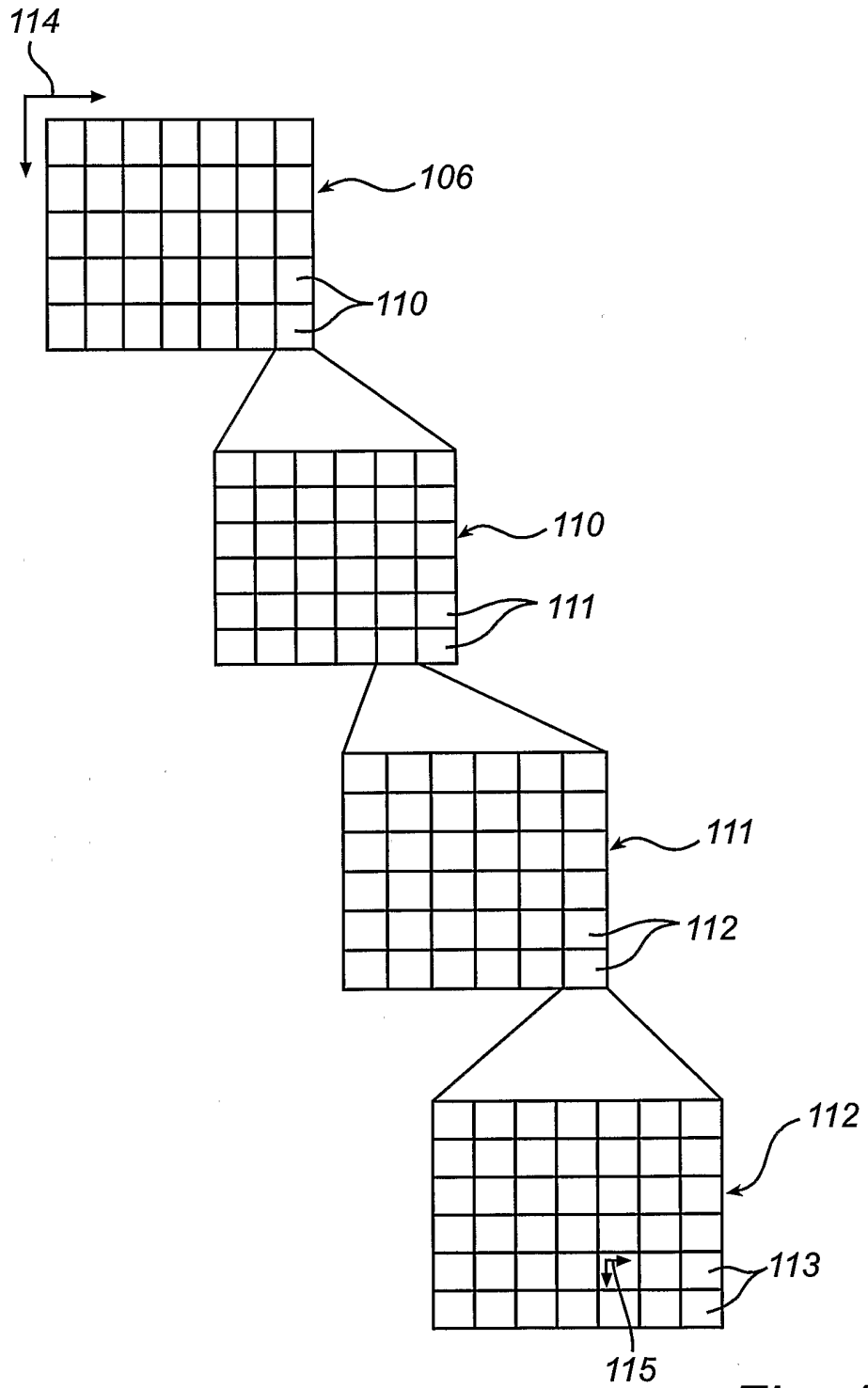


Fig. 1

2/6

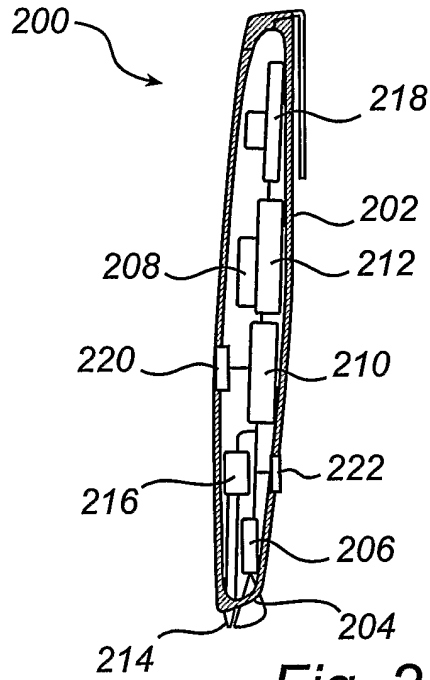


Fig. 2

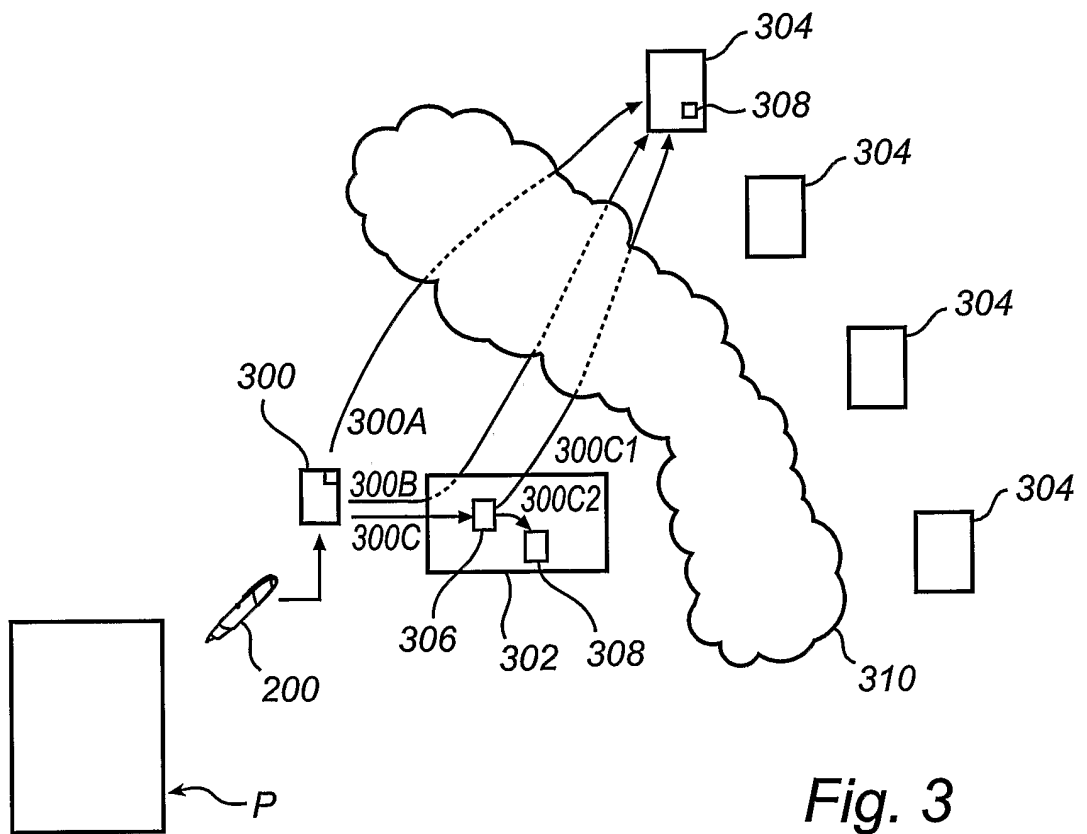


Fig. 3

3/6

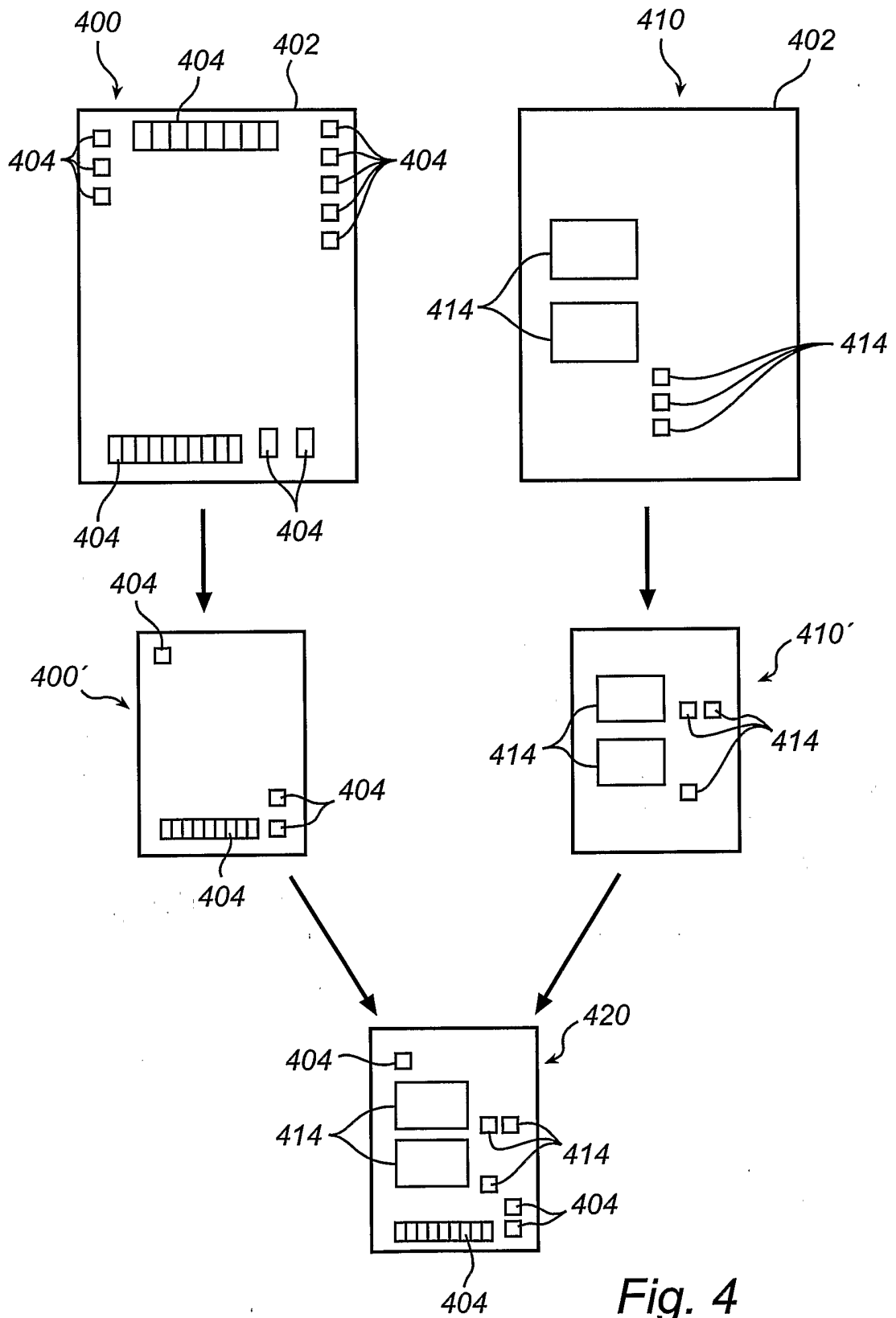


Fig. 4



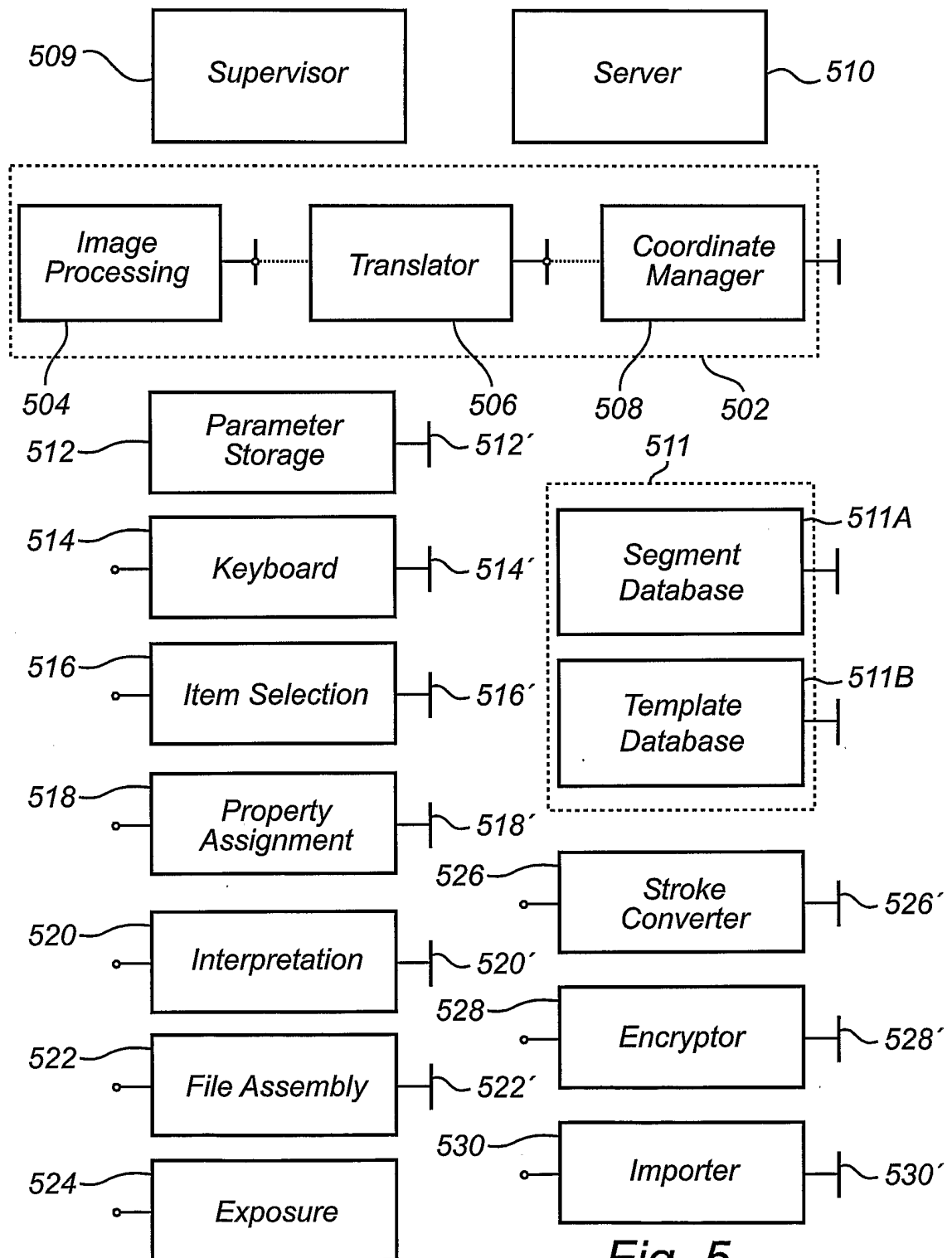


Fig. 5

5/6

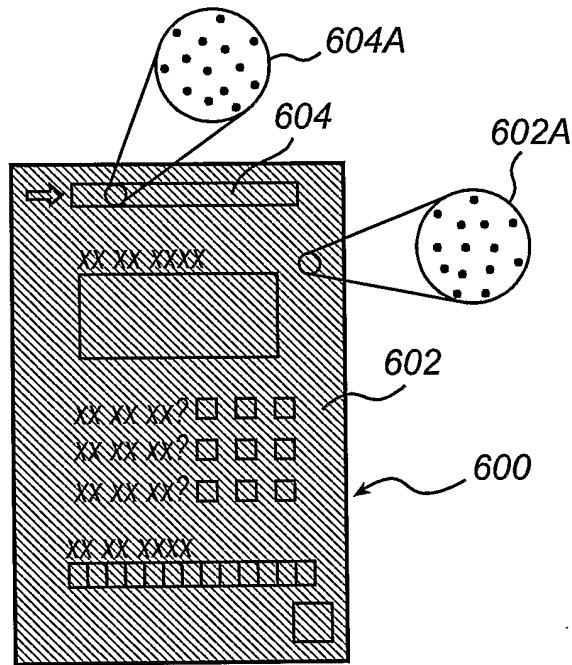


Fig. 6

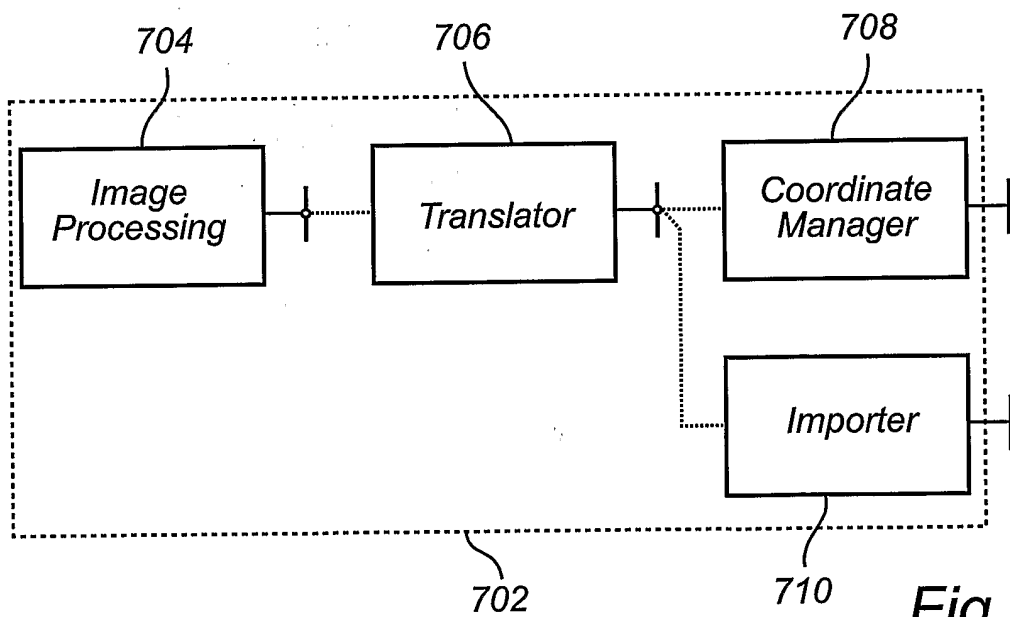


Fig. 7

6/6

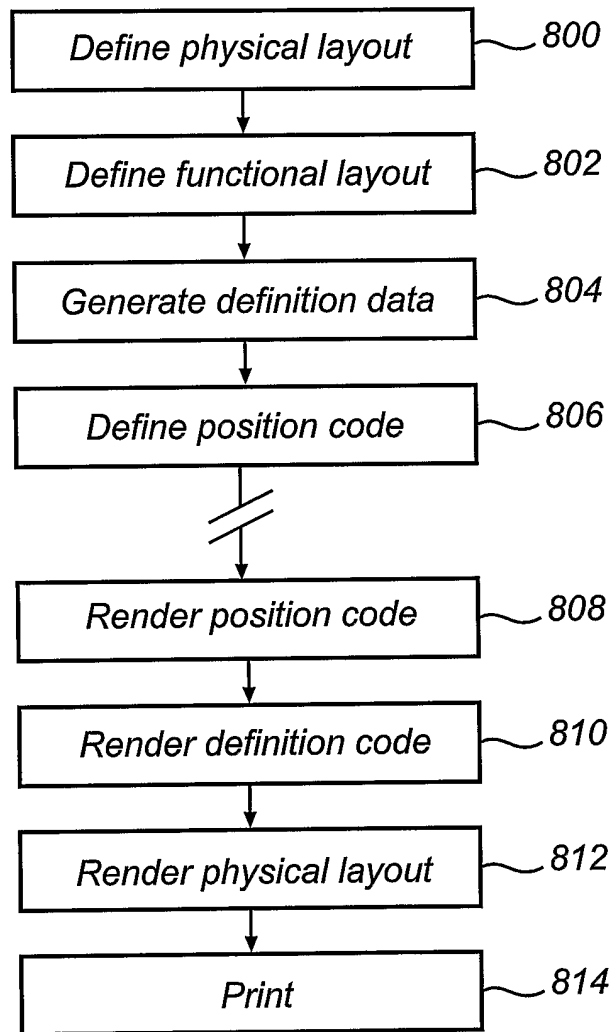


Fig. 8

## INTERNATIONAL SEARCH REPORT

International application No.

PCT/SE 2005/001025

## A. CLASSIFICATION OF SUBJECT MATTER

IPC7: G06F 3/033

According to International Patent Classification (IPC) or to both national classification and IPC

## B. FIELDS SEARCHED

Minimum documentation searched (classification system followed by classification symbols)

IPC7: G06K, G06F

Documentation searched other than minimum documentation to the extent that such documents are included in the fields searched

SE,DK,FI,NO classes as above

Electronic data base consulted during the international search (name of data base and, where practicable, search terms used)

EPO-INTERNAL, WPI DATA, PAJ

## C. DOCUMENTS CONSIDERED TO BE RELEVANT

Category*	Citation of document, with indication, where appropriate, of the relevant passages	Relevant to claim No.
X	WO 03105064 A1 (ANOTO AB), 18 December 2003 (18.12.2003), page 3, line 7 - page 13, line 28, abstract --	1-32,44-51, 58-63
A	WO 9950787 A1 (DYMETMAN, M ET AL), 7 October 1999 (07.10.1999), abstract --	1-63
A	US 20030122746 A1 (RIGNELL, M), 3 July 2003 (03.07.2003), abstract --	1-63
A	US 6678499 B1 (SILVERBROOK, K ET AL), 13 January 2004 (13.01.2004), abstract --	1-63

 Further documents are listed in the continuation of Box C. See patent family annex.

\* Special categories of cited documents:

"A" document defining the general state of the art which is not considered to be of particular relevance

"E" earlier application or patent but published on or after the international filing date

"L" document which may throw doubts on priority claim(s) or which is cited to establish the publication date of another citation or other special reason (as specified)

"O" document referring to an oral disclosure, use, exhibition or other means

"P" document published prior to the international filing date but later than the priority date claimed

"T" later document published after the international filing date or priority date and not in conflict with the application but cited to understand the principle or theory underlying the invention

"X" document of particular relevance: the claimed invention cannot be considered novel or cannot be considered to involve an inventive step when the document is taken alone

"Y" document of particular relevance: the claimed invention cannot be considered to involve an inventive step when the document is combined with one or more other such documents, such combination being obvious to a person skilled in the art

"&" document member of the same patent family

Date of the actual completion of the international search

30 Sept 2005

Date of mailing of the international search report

05-10-2005

Name and mailing address of the ISA/  
Swedish Patent Office  
Box 5055, S-102 42 STOCKHOLM  
Facsimile No. +46 8 666 02 86

Authorized officer

Patrik Rydman /LR  
Telephone No. +46 8 782 25 00

## INTERNATIONAL SEARCH REPORT

International application No.

PCT/SE 2005/001025

C (Continuation). DOCUMENTS CONSIDERED TO BE RELEVANT		
Category*	Citation of document, with indication, where appropriate, of the relevant passages	Relevant to claim No.
A	WO 0116691 A1 (ANOTO AB), 8 March 2001 (08.03.2001), page 8, line 1 - line 36, figures 1, 5A,7, claim 1, abstract  --	1-63
A	US 20020021284 A1 (WIEBE, L), 21 February 2002 (21.02.2002), paragraphs [0010]-[0033], claim 1, abstract  --	1-63
A	US 6502756 B1 (FAHREUS, C), 7 January 2003 (07.01.2003), column 2, line 33 - column 6, line 63, figure 9, claim 1, abstract  -- -----	1-63

## INTERNATIONAL SEARCH REPORT

Information on patent family members

31/08/2005

International application No.

PCT/SE 2005/001025

WO	03105064	A1	18/12/2003	AU	2003243073	A	00/00/0000
				EP	1514219	A	16/03/2005
				SE	0201724	A	06/12/2003
-----							
WO	9950787	A1	07/10/1999	GB	9806973	D	00/00/0000
				US	6330976	B	18/12/2001
				US	6345304	B	05/02/2002
				US	6665490	B	16/12/2003
				US	6752317	B	22/06/2004
				US	20020020750	A	21/02/2002
				US	20030190145	A	09/10/2003
				WO	9950736	A	07/10/1999
				WO	9950751	A	07/10/1999
				GB	9806977	D	00/00/0000
				GB	9807001	D	00/00/0000
-----							
US	20030122746	A1	03/07/2003	AU	2002359192	A	00/00/0000
				EP	1461709	A	29/09/2004
				SE	520748	C	19/08/2003
				SE	0104398	A	28/06/2003
				WO	03056437	A	10/07/2003

INTERNATIONAL SEARCH REPORT  
Information on patent family members

31/08/2005

International application No.

PCT/SE 2005/001025

US	6678499	B1	13/01/2004	AT	276958	T	15/10/2004
				AT	284100	T	15/12/2004
				AT	295270	T	15/05/2005
				AT	295271	T	15/05/2005
				AT	295272	T	15/05/2005
				AT	295273	T	15/05/2005
				AU	761330	B	05/06/2003
				AU	761333	B	05/06/2003
				AU	761354	B	05/06/2003
				AU	761465	B	05/06/2003
				AU	761466	B	05/06/2003
				AU	761509	B	05/06/2003
				AU	761678	B	05/06/2003
				AU	761679	B	05/06/2003
				AU	761766	B	12/06/2003
				AU	761767	B	12/06/2003
				AU	761769	B	12/06/2003
				AU	761770	B	12/06/2003
				AU	761773	B	12/06/2003
				AU	761912	B	12/06/2003
				AU	762003	B	19/06/2003
				AU	762011	B	19/06/2003
				AU	762167	B	19/06/2003
				AU	762210	B	19/06/2003
				AU	762253	B	19/06/2003
				AU	762301	B	19/06/2003
				AU	762342	B	26/06/2003
				AU	762536	B	26/06/2003
				AU	762560	B	26/06/2003
				AU	762620	B	03/07/2003
				AU	762667	B	03/07/2003
				AU	766159	B	09/10/2003
				AU	771325	B	18/03/2004
				AU	771356	B	18/03/2004
				AU	771812	B	01/04/2004
				AU	771972	B	08/04/2004
				AU	772247	B	22/04/2004
				AU	772595	B	29/04/2004
				AU	773745	B	03/06/2004
				AU	773812	B	10/06/2004
				AU	773916	B	10/06/2004
				AU	773936	B	10/06/2004
				AU	774078	B	17/06/2004
				AU	774231	B	17/06/2004
				AU	774235	B	24/06/2004
				AU	774248	B	24/06/2004
				AU	774258	B	24/06/2004
				AU	774280	B	24/06/2004
				AU	776494	B	09/09/2004
				AU	776862	B	23/09/2004
				AU	778007	B	11/11/2004
				AU	4725700	A	12/12/2000
				AU	4725800	A	12/12/2000
				AU	4725900	A	12/12/2000
				AU	4726000	A	12/12/2000

## INTERNATIONAL SEARCH REPORT

Information on patent family members

International application No.

31/08/2005

PCT/SE 2005/001025

US	6678499	B1	13/01/2004	AU	4726100	A	12/12/2000
				AU	4726200	A	12/12/2000
				AU	4726300	A	12/12/2000
				AU	4726400	A	12/12/2000
				AU	4726500	A	12/12/2000
				AU	4726600	A	12/12/2000
				AU	4726700	A	12/12/2000
				AU	4726800	A	12/12/2000
				AU	4726900	A	12/12/2000
				AU	4727000	A	12/12/2000
				AU	4727100	A	12/12/2000
				AU	4727200	A	12/12/2000
				AU	4727300	A	12/12/2000
				AU	4727400	A	12/12/2000
				AU	4727500	A	12/12/2000
				AU	4727600	A	12/12/2000
				AU	4727700	A	12/12/2000
				AU	4727800	A	12/12/2000
				AU	4727900	A	12/12/2000
				AU	4728000	A	12/12/2000
				AU	4728100	A	12/12/2000
				AU	4728200	A	12/12/2000
				AU	4728300	A	12/12/2000
				AU	4728400	A	12/12/2000
				AU	4728500	A	12/12/2000
				AU	4728600	A	12/12/2000
				AU	4729000	A	12/12/2000
				AU	4729200	A	12/12/2000
				AU	4729300	A	12/12/2000
				AU	4729400	A	12/12/2000
				AU	4729500	A	12/12/2000
				AU	4729600	A	12/12/2000
				AU	4729700	A	12/12/2000
				AU	4729800	A	12/12/2000
				AU	4729900	A	12/12/2000
				AU	4730000	A	12/12/2000
				AU	4730100	A	12/12/2000
				AU	4730200	A	12/12/2000
				AU	4730300	A	12/12/2000
				AU	4730400	A	12/12/2000
				AU	4730500	A	12/12/2000
				AU	4730600	A	12/12/2000
				AU	4730700	A	12/12/2000
				AU	4730800	A	12/12/2000
				AU	4730900	A	12/12/2000
				AU	4731000	A	12/12/2000
				AU	4731100	A	12/12/2000
				AU	4731200	A	12/12/2000
				AU	5374800	A	22/01/2001
				AU	5374900	A	22/01/2001
				AU	5375000	A	22/01/2001
				AU	5375100	A	22/01/2001
				AU	5375200	A	22/01/2001
				AU	5375300	A	22/01/2001
				AU	5375400	A	22/01/2001



INTERNATIONAL SEARCH REPORT  
Information on patent family members

31/08/2005

International application No.  
PCT/SE 2005/001025

US	6678499	B1	13/01/2004	AU	5375500	A	22/01/2001
				AU	5375600	A	22/01/2001
				AU	5375700	A	22/01/2001
				AU	5375800	A	22/01/2001
				AU	5375900	A	22/01/2001
				AU	5376000	A	22/01/2001
				AU	5376100	A	22/01/2001
				AU	5376200	A	22/01/2001
				AU	5509500	A	12/12/2000
				AU	5511700	A	22/01/2001
				AU	5511800	A	22/01/2001
				AU	5511900	A	22/01/2001
				AU	5512000	A	22/01/2001
				AU	5662800	A	22/01/2001
				AU	PQ131399	D	00/00/0000
				AU	2004202253	A	00/00/0000
				BR	0010789	A	09/03/2004
				BR	0010791	A	09/03/2004
				BR	0010792	A	09/03/2004
				BR	0010793	A	07/05/2002
				BR	0010796	A	21/05/2002
				BR	0010797	A	11/06/2002
				BR	0010801	A	07/05/2002
				BR	0010803	A	28/05/2002
				BR	0010804	A	07/05/2002
				BR	0010805	A	28/05/2002
				BR	0010807	A	30/04/2002
				BR	0010809	A	04/06/2002
				BR	0010839	A	04/06/2002
				BR	0010840	A	28/05/2002
				BR	0010841	A	28/05/2002
				BR	0010842	A	11/06/2002
				BR	0010844	A	02/07/2002
				BR	0010845	A	21/05/2002
				BR	0010846	A	14/05/2002
				BR	0010847	A	04/06/2002
				BR	0010848	A	14/05/2002
				BR	0010849	A	01/07/2003
				BR	0010850	A	02/07/2002
				BR	0010851	A	07/05/2002
				BR	0010852	A	01/07/2003
				BR	0010853	A	04/06/2002
				BR	0010854	A	04/06/2002
				BR	0010855	A	11/06/2002
				BR	0010856	A	04/06/2002
				BR	0010857	A	02/07/2002
				BR	0010858	A	30/04/2002
				BR	0010859	A	28/05/2002
				BR	0010860	A	02/07/2002
				BR	0010861	A	28/05/2002
				BR	0010862	A	02/07/2002
				BR	0010886	A	18/11/2003
				BR	0010887	A	21/05/2002
				BR	0010888	A	18/11/2003
				BR	0010889	A	07/05/2002

## INTERNATIONAL SEARCH REPORT

Information on patent family members

International application No.

31/08/2005

PCT/SE 2005/001025

US	6678499	B1	13/01/2004	BR	0010890	A	21/05/2002
				BR	0010893	A	27/08/2002
				BR	0010895	A	04/06/2002
				BR	0010896	A	02/07/2002
				BR	0010897	A	11/06/2002
				BR	0010898	A	21/05/2002
				BR	0010899	A	02/07/2002
				BR	0010900	A	04/06/2002
				BR	0010901	A	17/06/2003
				BR	0010902	A	17/06/2003
				BR	0010903	A	28/05/2002
				BR	0010904	A	28/05/2002
				BR	0010905	A	16/07/2002
				BR	0010906	A	02/07/2002
				BR	0011984	A	22/06/2004
				BR	0011985	A	22/06/2004
				BR	0011987	A	08/10/2002
				BR	0011988	A	30/04/2002
				BR	0011989	A	02/04/2002
				BR	0012076	A	21/05/2002
				BR	0012077	A	30/04/2002
				CA	2371479	A	30/11/2000
				CA	2371513	A	30/11/2000
				CA	2371538	A	30/11/2000
				CA	2371541	A	30/11/2000
				CA	2371545	A	30/11/2000
				CA	2371557	A	30/11/2000
				CA	2371561	A	30/11/2000
				CA	2371563	A	30/11/2000
				CA	2371566	A	30/11/2000
				CA	2371568	A	30/11/2000
				CA	2371573	A	30/11/2000
				CA	2371575	A	30/11/2000
				CA	2371578	A	30/11/2000
				CA	2371580	A	30/11/2000
				CA	2371584	A	30/11/2000
				CA	2371586	A	30/11/2000
				CA	2371589	A	30/11/2000
				CA	2371947	A	30/11/2000
				CA	2371948	A	30/11/2000
				CA	2371951	A	30/11/2000
				CA	2371954	A	30/11/2000
				CA	2371955	A	30/11/2000
				CA	2371959	A	30/11/2000
				CA	2371961	A	30/11/2000
				CA	2371963	A	30/11/2000
				CA	2371968	A	30/11/2000
				CA	2371970	A	30/11/2000
				CA	2374622	A	30/11/2000
				CA	2374624	A	30/11/2000
				CA	2374630	A	30/11/2000
				CA	2374633	A	30/11/2000
				CA	2374634	A	30/11/2000
				CA	2374658	A	30/11/2000
				CA	2374661	A	30/11/2000

## INTERNATIONAL SEARCH REPORT

Information on patent family members

International application No.

31/08/2005

PCT/SE 2005/001025

US	6678499	B1	13/01/2004	CA	2374694	A	30/11/2000
				CA	2374701	A	30/11/2000
				CA	2374705	A	30/11/2000
				CA	2374708	A	30/11/2000
				CA	2374711	A	30/11/2000
				CA	2374713	A	30/11/2000
				CA	2374716	A	30/11/2000
				CA	2374723	A	30/11/2000
				CA	2374821	A	30/11/2000
				CA	2374824	A	30/11/2000
				CA	2374831	A	30/11/2000
				CA	2374833	A	30/11/2000
				CA	2374850	A	30/11/2000
				CA	2375053	A	30/11/2000
				CA	2375235	A	30/11/2000
				CA	2375247	A	30/11/2000
				CA	2375251	A	30/11/2000
				CA	2375801	A	30/11/2000
				CA	2377901	A	11/01/2001
				CA	2377908	A	11/01/2001
				CA	2377910	A	11/01/2001
				CA	2377911	A	11/01/2001
				CA	2377912	A	11/01/2001
				CA	2377964	A	11/01/2001
				CA	2400684	A	30/11/2000
				CA	2414745	A	11/01/2001
				CA	2414749	A	11/01/2001
				CA	2414752	A	11/01/2001
				CA	2414755	A	11/01/2001
				CA	2414759	A	11/01/2001
				CA	2414762	A	11/01/2001
				CA	2414765	A	11/01/2001
				CA	2414766	A	11/01/2001
				CA	2414767	A	11/01/2001
				CA	2414768	A	11/01/2001
				CA	2414769	A	11/01/2001
				CA	2414805	A	11/01/2001
				CA	2414808	A	11/01/2001
				CA	2414889	A	11/01/2001
				CN	1144687	C,T	07/04/2004
				CN	1144751	C,T	07/04/2004
				CN	1145130	C,T	07/04/2004
				CN	1149467	C	12/05/2004
				CN	1154914	C	23/06/2004
				CN	1158182	C	21/07/2004
				CN	1164431	C	01/09/2004
				CN	1164432	C	01/09/2004
				CN	1165870	C	08/09/2004
				CN	1166168	C	08/09/2004
				CN	1171141	C	13/10/2004
				CN	1175372	C	10/11/2004
				CN	1187703	C	02/02/2005
				CN	1191545	C	02/03/2005
				CN	1192891	C	16/03/2005
				CN	1193288	C	16/03/2005

## INTERNATIONAL SEARCH REPORT

Information on patent family members

31/08/2005

International application No.

PCT/SE 2005/001025

US	6678499	B1	13/01/2004	CN	1196080	C	06/04/2005
				CN	1196992	C	13/04/2005
				CN	1198733	C	27/04/2005
				CN	1205529	C	01/06/2005
				CN	1351541	A,T	29/05/2002
				CN	1351724	A,T	29/05/2002
				CN	1351725	A,T	29/05/2002
				CN	1351726	A,T	29/05/2002
				CN	1351727	A,T	29/05/2002
				CN	1351730	A,T	29/05/2002
				CN	1351740	A,T	29/05/2002
				CN	1352778	A,T	05/06/2002
				CN	1353845	A,T	12/06/2002
				CN	1353849	A,T	12/06/2002
				CN	1354864	A,T	19/06/2002
				CN	1357128	A,T	03/07/2002
				CN	1358139	A,T	10/07/2002
				CN	1358285	A,T	10/07/2002
				CN	1358295	A,T	10/07/2002
				CN	1358377	A,T	10/07/2002
				CN	1358378	A,T	10/07/2002
				CN	1359334	A,T	17/07/2002
				CN	1359338	A,T	17/07/2002
				CN	1359350	A,T	17/07/2002
				CN	1359505	A,T	17/07/2002
				CN	1359573	A,T	17/07/2002
				CN	1359586	A,T	17/07/2002
				CN	1360542	A,T	24/07/2002
				CN	1360688	A,T	24/07/2002
				CN	1360690	A,T	24/07/2002
				CN	1360691	A,T	24/07/2002
				CN	1360705	A,T	24/07/2002
				CN	1360707	A,T	24/07/2002
				CN	1360708	A,T	24/07/2002
				CN	1361730	A,T	31/07/2002
				CN	1361731	A,T	31/07/2002
				CN	1361883	A,T	31/07/2002
				CN	1361884	A,T	31/07/2002
				CN	1361897	A,T	31/07/2002
				CN	1361898	A,T	31/07/2002
				CN	1361899	A,T	31/07/2002
				CN	1361900	A,T	31/07/2002
				CN	1361901	A,T	31/07/2002
				CN	1363058	A,T	07/08/2002
				CN	1363073	A,T	07/08/2002
				CN	1364118	A,T	14/08/2002
				CN	1364253	A,T	14/08/2002
				CN	1364254	A,T	14/08/2002
				CN	1364277	A,T	14/08/2002
				CN	1365460	A,T	21/08/2002
				CN	1365473	A,T	21/08/2002
				CN	1367882	A,T	04/09/2002
				CN	1367891	A,T	04/09/2002
				CN	1367893	A,T	04/09/2002
				CN	1367899	A,T	04/09/2002

## INTERNATIONAL SEARCH REPORT

Information on patent family members

International application No.

31/08/2005

PCT/SE 2005/001025

US	6678499	B1	13/01/2004	CN	1367901 A,T	04/09/2002
				CN	1367902 A,T	04/09/2002
				CN	1367903 A,T	04/09/2002
				CN	1367904 A,T	04/09/2002
				CN	1367909 A,T	04/09/2002
				CN	1367980 A,T	04/09/2002
				CN	1369072 A,T	11/09/2002
				CN	1371496 A,T	25/09/2002
				CN	1371497 A,T	25/09/2002
				CN	1375081 A,T	16/10/2002
				CN	1377486 A,T	30/10/2002
				CN	1377490 A,T	30/10/2002
				CN	1378663 A,T	06/11/2002
				CN	1379884 A,T	13/11/2002
				CN	1382286 A,T	27/11/2002
				CN	1515424 A	28/07/2004
				CN	1515989 A	28/07/2004
				CN	1519116 A	11/08/2004
				CN	1534451 A	06/10/2004
				CN	1535832 A	13/10/2004
				CN	1548297 A	24/11/2004
				CN	1548299 A	24/11/2004
				CN	1552576 A	08/12/2004
				CN	1560724 A	05/01/2005
				CN	1591470 A	09/03/2005
				CN	1601555 A	30/03/2005
				CN	1607451 A	20/04/2005
				CN	1611363 A	04/05/2005
				CN	1619577 A	25/05/2005
				CN	1624711 A	08/06/2005
				DE	60014167 D	00/00/0000
				DE	60016443 D	00/00/0000
				DE	60020132 D	00/00/0000
				DE	60020138 D	00/00/0000
				DE	60020141 D	00/00/0000
				DE	60020151 D	00/00/0000
				EP	1196752 A	17/04/2002
				EP	1196874 A	17/04/2002
				EP	1196875 A	17/04/2002
				EP	1198769 A	24/04/2002
				EP	1200911 A	02/05/2002
				EP	1200912 A	02/05/2002
				EP	1200913 A	02/05/2002
				EP	1200914 A	02/05/2002
				EP	1203283 A	08/05/2002
				EP	1203284 A	08/05/2002
				EP	1203287 A	08/05/2002
				EP	1203288 A	08/05/2002
				EP	1203289 A	08/05/2002
				EP	1203314 A	08/05/2002
				EP	1203328 A	08/05/2002
				EP	1206727 A	22/05/2002
				EP	1208502 A	29/05/2002
				EP	1212200 A,B	12/06/2002
				EP	1212712 A	12/06/2002

## INTERNATIONAL SEARCH REPORT

Information on patent family members

International application No.

31/08/2005

PCT/SE 2005/001025

US	6678499	B1	13/01/2004	EP	1212714 A	12/06/2002
				EP	1214679 A	19/06/2002
				EP	1214680 A	19/06/2002
				EP	1214682 A	19/06/2002
				EP	1214843 A	19/06/2002
				EP	1216159 A,B	26/06/2002
				EP	1218197 A	03/07/2002
				EP	1218198 A	03/07/2002
				EP	1218199 A,B	03/07/2002
				EP	1220753 A	10/07/2002
				EP	1222073 A	17/07/2002
				EP	1222502 A	17/07/2002
				EP	1222521 A	17/07/2002
				EP	1222522 A	17/07/2002
				EP	1222523 A	17/07/2002
				EP	1222525 A	17/07/2002
				EP	1222568 A	17/07/2002
				EP	1222610 A	17/07/2002
				EP	1222611 A	17/07/2002
				EP	1222612 A	17/07/2002
				EP	1222613 A	17/07/2002
				EP	1222617 A	17/07/2002
				EP	1222618 A	17/07/2002
				EP	1222644 A	17/07/2002
				EP	1222645 A	17/07/2002
				EP	1222768 A,B	17/07/2002
				EP	1222773 A	17/07/2002
				EP	1222804 A	17/07/2002
				EP	1224524 A	24/07/2002
				EP	1224528 A	24/07/2002
				EP	1224614 A	24/07/2002
				EP	1224616 A	24/07/2002
				EP	1224617 A	24/07/2002
				EP	1226488 A	31/07/2002
				EP	1226489 A	31/07/2002
				EP	1226531 A	31/07/2002
				EP	1226532 A	31/07/2002
				EP	1228418 A	07/08/2002
				EP	1228419 A	07/08/2002
				EP	1228420 A	07/08/2002
				EP	1228421 A	07/08/2002
				EP	1228459 A	07/08/2002
				EP	1230091 A,B	14/08/2002
				EP	1230588 A	14/08/2002
				EP	1232474 A	21/08/2002
				EP	1232475 A	21/08/2002
				EP	1232476 A	21/08/2002
				EP	1240581 A	18/09/2002
				EP	1240620 A	18/09/2002
				EP	1242969 A	25/09/2002
				EP	1244594 A,B	02/10/2002
				EP	1259872 A	27/11/2002
				EP	1299854 A	09/04/2003
				IL	146606 D	00/00/0000
				IL	146607 D	00/00/0000

**INTERNATIONAL SEARCH REPORT**

Information on patent family members

International application No.

31/08/2005

PCT/SE 2005/001025

US	6678499	B1	13/01/2004	IL	146608	D	00/00/0000
				IL	146609	D	00/00/0000
				IL	146610	D	00/00/0000
				IL	146611	D	00/00/0000
				IL	146612	D	00/00/0000
				IL	146613	D	00/00/0000
				IL	146614	D	00/00/0000
				IL	146615	D	00/00/0000
				IL	146616	D	00/00/0000
				IL	146617	D	00/00/0000
				IL	146618	D	00/00/0000
				IL	146619	D	00/00/0000
				IL	146620	D	00/00/0000
				IL	146621	D	00/00/0000
				IL	146622	D	00/00/0000
				IL	146623	D	00/00/0000
				IL	146624	A	17/05/2005
				IL	146625	D	00/00/0000
				IL	146626	D	00/00/0000
				IL	146627	D	00/00/0000
				IL	146635	D	00/00/0000
				IL	146636	D	00/00/0000
				IL	146637	D	00/00/0000
				IL	146638	D	00/00/0000
				IL	146639	D	00/00/0000
				IL	146640	A	17/05/2005
				IL	146641	A	17/05/2005
				IL	146642	A	15/12/2004
				IL	146643	D	00/00/0000
				IL	146644	D	00/00/0000
				IL	146645	A	15/12/2004
				IL	146646	A	17/05/2005
				IL	146647	D	00/00/0000
				IL	146648	D	00/00/0000
				IL	146649	D	00/00/0000
				IL	146650	D	00/00/0000
				IL	146651	D	00/00/0000
				IL	146652	D	00/00/0000
				IL	146670	D	00/00/0000
				IL	146671	D	00/00/0000
				IL	146672	D	00/00/0000
				IL	146673	D	00/00/0000
				IL	146674	D	00/00/0000
				IL	146675	D	00/00/0000
				IL	146676	D	00/00/0000
				IL	146677	D	00/00/0000
				IL	146678	D	00/00/0000
				IL	146679	D	00/00/0000
				IL	146680	D	00/00/0000
				IL	146715	D	00/00/0000
				IL	146716	D	00/00/0000
				IL	147354	D	00/00/0000
				IL	147355	D	00/00/0000
				IL	147386	D	00/00/0000
				IL	147387	D	00/00/0000

## INTERNATIONAL SEARCH REPORT

Information on patent family members

International application No.

31/08/2005

PCT/SE 2005/001025

US	6678499	B1	13/01/2004	IL	147388	D	00/00/0000
				JP	2003500237	T	07/01/2003
				JP	2003500239	T	07/01/2003
				JP	2003500240	T	07/01/2003
				JP	2003500241	T	07/01/2003
				JP	2003500242	T	07/01/2003
				JP	2003500243	T	07/01/2003
				JP	2003500244	T	07/01/2003
				JP	2003500247	T	07/01/2003
				JP	2003500248	T	07/01/2003
				JP	2003500250	T	07/01/2003
				JP	2003500251	T	07/01/2003
				JP	2003500252	T	07/01/2003
				JP	2003500713	T	07/01/2003
				JP	2003500714	T	07/01/2003
				JP	2003500720	T	07/01/2003
				JP	2003500725	T	07/01/2003
				JP	2003500726	T	07/01/2003
				JP	2003500727	T	07/01/2003
				JP	2003500728	T	07/01/2003
				JP	2003500729	T	07/01/2003
				JP	2003500730	T	07/01/2003
				JP	2003500731	T	07/01/2003
				JP	2003500732	T	07/01/2003
				JP	2003500733	T	07/01/2003
				JP	2003500734	T	07/01/2003
				JP	2003500735	T	07/01/2003
				JP	2003500736	T	07/01/2003
				JP	2003500737	T	07/01/2003
				JP	2003500738	T	07/01/2003
				JP	2003500746	T	07/01/2003
				JP	2003500749	T	07/01/2003
				JP	2003500750	T	07/01/2003
				JP	2003500752	T	07/01/2003
				JP	2003500753	T	07/01/2003
				JP	2003500754	T	07/01/2003
				JP	2003500755	T	07/01/2003
				JP	2003500756	T	07/01/2003
				JP	2003500757	T	07/01/2003
				JP	2003500760	T	07/01/2003
				JP	2003500761	T	07/01/2003
				JP	2003500762	T	07/01/2003
				JP	2003500763	T	07/01/2003
				JP	2003500764	T	07/01/2003
				JP	2003500765	T	07/01/2003
				JP	2003500769	T	07/01/2003
				JP	2003500770	T	07/01/2003
				JP	2003500921	T	07/01/2003
				JP	2003500939	T	07/01/2003
				JP	2003500963	T	07/01/2003
				JP	2003501708	T	14/01/2003
				JP	2003501709	T	14/01/2003
				JP	2003503973	T	28/01/2003
				JP	2003504716	T	04/02/2003
				JP	2003504717	T	04/02/2003



## INTERNATIONAL SEARCH REPORT

Information on patent family members

International application No.

31/08/2005

PCT/SE 2005/001025

US	6678499	B1	13/01/2004	JP	2003504718	T	04/02/2003
				JP	2003504719	T	04/02/2003
				JP	2003504725	T	04/02/2003
				JP	2003504729	T	04/02/2003
				JP	2003504730	T	04/02/2003
				JP	2003504731	T	04/02/2003
				JP	2003504732	T	04/02/2003
				JP	2003504918	T	04/02/2003
				JP	2003507806	T	25/02/2003
				JP	2003513345	T	08/04/2003
				JP	2003532938	T	05/11/2003
				JP	2004532435	T	21/10/2004
				MX	PA01012054	A	28/07/2003
				MX	PA01012055	A	20/08/2003
				MX	PA01012056	A	28/07/2003
				MX	PA01012057	A	30/06/2003
				MX	PA01012058	A	28/07/2003
				MX	PA01012059	A	30/06/2003
				MX	PA01012060	A	28/07/2003
				MX	PA01012061	A	28/07/2003
				MX	PA01012062	A	28/07/2003
				MX	PA01012063	A	28/07/2003
				MX	PA01012064	A	30/06/2003
				MX	PA01012065	A	30/06/2003
				MX	PA01012066	A	30/06/2003
				MX	PA01012067	A	28/07/2003
				MX	PA01012068	A	28/07/2003
				MX	PA01012069	A	28/07/2003
				MX	PA01012111	A	28/07/2003
				MX	PA01012112	A	30/06/2003
				MX	PA01012113	A	28/07/2003
				MX	PA01012114	A	20/08/2003
				MX	PA01012115	A	28/07/2003
				MX	PA01012116	A	28/07/2003
				MX	PA01012117	A	28/07/2003
				MX	PA01012118	A	28/07/2003
				MX	PA01012119	A	28/07/2003
				MX	PA01012120	A	30/06/2003
				MX	PA01012121	A	20/08/2003
				MX	PA01012122	A	28/07/2003
				MX	PA01012123	A	28/07/2003
				MX	PA01012129	A	28/07/2003
				MX	PA01012130	A	28/07/2003
				MX	PA01012131	A	28/07/2003
				MX	PA01012132	A	28/07/2003
				MX	PA01012133	A	30/06/2003
				MX	PA01012134	A	28/07/2003
				MX	PA01012135	A	28/07/2003
				MX	PA01012136	A	28/07/2003
				MX	PA01012137	A	28/07/2003
				MX	PA01012138	A	28/07/2003
				MX	PA01012139	A	28/07/2003
				MX	PA01012140	A	28/07/2003
				MX	PA01012141	A	28/07/2003
				MX	PA01012142	A	28/07/2003

## INTERNATIONAL SEARCH REPORT

Information on patent family members

International application No.

31/08/2005

PCT/SE 2005/001025

US	6678499	B1	13/01/2004			
				MX	PA01012143 A	28/07/2003
				MX	PA01012144 A	28/07/2003
				MX	PA01012145 A	28/07/2003
				MX	PA01012146 A	28/07/2003
				MX	PA01012147 A	28/07/2003
				MX	PA01012148 A	28/07/2003
				MX	PA01012149 A	28/07/2003
				MX	PA01012150 A	30/06/2003
				MX	PA01012151 A	28/07/2003
				MX	PA01012152 A	21/07/2003
				MX	PA02000176 A	21/07/2003
				US	6290349 B	18/09/2001
				US	6428155 B	06/08/2002
				US	6439706 B	27/08/2002
				US	6457883 B	01/10/2002
				US	6502614 B	07/01/2003
				US	6549935 B	15/04/2003
				US	6591884 B	15/07/2003
				US	6622999 B	23/09/2003
				US	6644642 B	11/11/2003
				US	6669385 B	30/12/2003
				US	6681045 B	20/01/2004
				US	6714678 B	30/03/2004
				US	6718061 B	06/04/2004
				US	6727996 B	27/04/2004
				US	6728000 B	27/04/2004
				US	6737591 B	18/05/2004
				US	6760119 B	06/07/2004
				US	6766942 B	27/07/2004
				US	6766944 B	27/07/2004
				US	6766945 B	27/07/2004
				US	6768821 B	27/07/2004
				US	6785016 B	31/08/2004
				US	6786397 B	07/09/2004
				US	6789191 B	07/09/2004
				US	6789194 B	07/09/2004
				US	6789731 B	14/09/2004
				US	6792165 B	14/09/2004
				US	6795593 B	21/09/2004
				US	6797895 B	28/09/2004
				US	6813039 B	02/11/2004
				US	6816274 B	09/11/2004
				US	6822639 B	23/11/2004
				US	6824044 B	30/11/2004
				US	6825945 B	30/11/2004
				US	6825956 B	30/11/2004
				US	6827116 B	07/12/2004
				US	6829387 B	07/12/2004
				US	6830196 B	14/12/2004
				US	6831682 B	14/12/2004
				US	6832717 B	21/12/2004
				US	6839053 B	04/01/2005
				US	6840606 B	11/01/2005
				US	6843420 B	18/01/2005
				US	6847961 B	25/01/2005

## INTERNATIONAL SEARCH REPORT

Information on patent family members

31/08/2005

International application No.

PCT/SE 2005/001025

US	6678499	B1	13/01/2004	US	6850931	B	01/02/2005
				US	6862105	B	01/03/2005
				US	6865570	B	08/03/2005
				US	6889896	B	10/05/2005
				US	6914593	B	05/07/2005
				US	6922779	B	26/07/2005
				US	20020080396	A	27/06/2002
				US	20020088064	A	11/07/2002
				US	20020095733	A	25/07/2002
				US	20020096084	A	25/07/2002
				US	20020136972	A	26/09/2002
				US	20020180850	A	05/12/2002
				US	20020191060	A	19/12/2002
				US	20030080948	A	01/05/2003
				US	20030081252	A	01/05/2003
				US	20030085269	A	08/05/2003
				US	20030085270	A	08/05/2003
				US	20030085868	A	08/05/2003
				US	20030085869	A	08/05/2003
				US	20030089533	A	15/05/2003
				US	20030089781	A	15/05/2003
				US	20030090459	A	15/05/2003
				US	20030090462	A	15/05/2003
				US	20030090463	A	15/05/2003
				US	20030090475	A	15/05/2003
				US	20030090476	A	15/05/2003
				US	20030090477	A	15/05/2003
				US	20030090718	A	15/05/2003
				US	20030090719	A	15/05/2003
				US	20030090720	A	15/05/2003
				US	20030090724	A	15/05/2003
				US	20030090734	A	15/05/2003
				US	20030090735	A	15/05/2003
				US	20030090736	A	15/05/2003
				US	20030090737	A	15/05/2003
				US	20030090745	A	15/05/2003
				US	20030091216	A	15/05/2003
				US	20030091217	A	15/05/2003
				US	20030091233	A	15/05/2003
				US	20030091234	A	15/05/2003
				US	20030093335	A	15/05/2003
				US	20030093376	A	15/05/2003
				US	20030093377	A	15/05/2003
				US	20030093378	A	15/05/2003
				US	20030093757	A	15/05/2003
				US	20030094492	A	22/05/2003
				US	20030094496	A	22/05/2003
				US	20030094497	A	22/05/2003
				US	20030094500	A	22/05/2003
				US	20030095097	A	22/05/2003
				US	20030095098	A	22/05/2003
				US	20030095724	A	22/05/2003
				US	20030095725	A	22/05/2003
				US	20030095726	A	22/05/2003
				US	20030098997	A	29/05/2003

INTERNATIONAL SEARCH REPORT  
Information on patent family members

31/08/2005

International application No.

PCT/SE 2005/001025

US	6678499	B1	13/01/2004	US	20030102366	A	05/06/2003
				US	20030103034	A	05/06/2003
				US	20030103240	A	05/06/2003
				US	20030103244	A	05/06/2003
				US	20030103245	A	05/06/2003
				US	20030103654	A	05/06/2003
				US	20030103655	A	05/06/2003
				US	20030103656	A	05/06/2003
				US	20030103657	A	05/06/2003
				US	20030103672	A	05/06/2003
				US	20030105817	A	05/06/2003
				US	20030105818	A	05/06/2003
				US	20030106018	A	05/06/2003
				US	20030106024	A	05/06/2003
				US	20030110220	A	12/06/2003
				US	20030121472	A	03/07/2003
				US	20030128196	A	10/07/2003
				US	20030130903	A	10/07/2003
				US	20030142072	A	31/07/2003
				US	20030195820	A	16/10/2003
				US	20030208410	A	06/11/2003
				US	20040046977	A	11/03/2004
				US	20040046995	A	11/03/2004
				US	20040075650	A	22/04/2004
				US	20040138951	A	15/07/2004
				US	20040153367	A	05/08/2004
				US	20040183748	A	23/09/2004
				US	20040184111	A	23/09/2004
				US	20040196473	A	07/10/2004
				US	20040196490	A	07/10/2004
				US	20040199414	A	07/10/2004
				US	20040204236	A	14/10/2004
				US	20040215562	A	28/10/2004
				US	20040217160	A	04/11/2004
				US	20040217161	A	04/11/2004
				US	20040217164	A	04/11/2004
				US	20040233163	A	25/11/2004
				US	20040239990	A	02/12/2004
				US	20040239991	A	02/12/2004
				US	20040245345	A	09/12/2004
				US	20040247207	A	09/12/2004
				US	20040263874	A	30/12/2004
				US	20050006454	A	13/01/2005
				US	20050010770	A	13/01/2005
				US	20050010771	A	13/01/2005
				US	20050010772	A	13/01/2005
				US	20050010773	A	13/01/2005
				US	20050011944	A	20/01/2005
				US	20050017958	A	27/01/2005
				US	20050022937	A	03/02/2005
				US	20050030583	A	10/02/2005
				US	20050031227	A	10/02/2005
				US	20050036169	A	17/02/2005
				US	20050036682	A	17/02/2005
				US	20050036713	A	17/02/2005

INTERNATIONAL SEARCH REPORT  
Information on patent family members

31/08/2005

International application No.  
PCT/SE 2005/001025

US	6678499	B1	13/01/2004	US	20050036714	A	17/02/2005
				US	20050041266	A	24/02/2005
				US	20050041864	A	24/02/2005
				US	20050045712	A	03/03/2005
				US	20050046895	A	03/03/2005
				US	20050046901	A	03/03/2005
				US	20050052409	A	10/03/2005
				US	20050052661	A	10/03/2005
				US	20050052683	A	10/03/2005
				US	20050052696	A	10/03/2005
				US	20050056692	A	17/03/2005
				US	20050058347	A	17/03/2005
				US	20050061448	A	24/03/2005
				US	20050062727	A	24/03/2005
				US	20050062728	A	24/03/2005
				US	20050062770	A	24/03/2005
				US	20050062851	A	24/03/2005
				US	20050063000	A	24/03/2005
				US	20050063007	A	24/03/2005
				US	20050064502	A	24/03/2005
				US	20050064503	A	24/03/2005
				US	20050065908	A	24/03/2005
				US	20050065923	A	24/03/2005
				US	20050065924	A	24/03/2005
				US	20050066188	A	24/03/2005
				US	20050067495	A	31/03/2005
				US	20050068392	A	31/03/2005
				US	20050071313	A	31/03/2005
				US	20050082361	A	21/04/2005
				US	20050083384	A	21/04/2005
				US	20050088419	A	28/04/2005
				US	20050093945	A	05/05/2005
				US	20050094186	A	05/05/2005
				US	20050094214	A	05/05/2005
				US	20050097094	A	05/05/2005
				US	20050097096	A	05/05/2005
				US	20050097323	A	05/05/2005
				US	20050104868	A	19/05/2005
				US	20050108220	A	19/05/2005
				US	20050108221	A	19/05/2005
				US	20050108222	A	19/05/2005
				US	20050108223	A	19/05/2005
				US	20050108224	A	19/05/2005
				US	20050121524	A	09/06/2005
				US	20050128189	A	16/06/2005
				US	20050131803	A	16/06/2005
				US	20050141027	A	30/06/2005
				US	20050146615	A	07/07/2005
				US	20050151723	A	14/07/2005
				US	20050156880	A	21/07/2005
				US	20050156909	A	21/07/2005
				US	20050157334	A	21/07/2005
				US	20050157345	A	21/07/2005
				US	20050166145	A	28/07/2005
				US	20050166146	A	28/07/2005

## INTERNATIONAL SEARCH REPORT

Information on patent family members

31/08/2005

International application No.

PCT/SE 2005/001025

US	6678499	B1	13/01/2004	US	20050167480	A	04/08/2005
				US	20050174605	A	11/08/2005
				US	20050175222	A	11/08/2005
				US	20050177728	A	11/08/2005
				US	20050179943	A	18/08/2005
				US	20050179956	A	18/08/2005
				WO	0071348	A	30/11/2000
				WO	0071350	A	30/11/2000
				WO	0071353	A	30/11/2000
				WO	0071354	A	30/11/2000
				WO	0071355	A	30/11/2000
				WO	0071356	A	30/11/2000
				WO	0071357	A	30/11/2000
				WO	0071362	A	30/11/2000
				WO	0071455	A	30/11/2000
				WO	0072110	A	30/11/2000
				WO	0072124	A	30/11/2000
				WO	0072125	A	30/11/2000
				WO	0072126	A	30/11/2000
				WO	0072127	A	30/11/2000
				WO	0072128	A	30/11/2000
				WO	0072129	A	30/11/2000
				WO	0072130	A	30/11/2000
				WO	0072131	A	30/11/2000
				WO	0072132	A	30/11/2000
				WO	0072133	A	30/11/2000
				WO	0072134	A	30/11/2000
				WO	0072135	A	30/11/2000
				WO	0072136	A	30/11/2000
				WO	0072137	A	30/11/2000
				WO	0072138	A	30/11/2000
				WO	0072192	A	30/11/2000
				WO	0072202	A	30/11/2000
				WO	0072203	A	30/11/2000
				WO	0072204	A	30/11/2000
				WO	0072230	A	30/11/2000
				WO	0072232	A	30/11/2000
				WO	0072233	A	30/11/2000
				WO	0072234	A	30/11/2000
				WO	0072235	A	30/11/2000
				WO	0072236	A	30/11/2000
				WO	0072237	A	30/11/2000
				WO	0072238	A	30/11/2000
				WO	0072241	A	30/11/2000
				WO	0072242	A	30/11/2000
				WO	0072243	A	30/11/2000
				WO	0072244	A	30/11/2000
				WO	0072245	A	30/11/2000
				WO	0072246	A	30/11/2000
				WO	0072247	A	30/11/2000
				WO	0072248	A	30/11/2000
				WO	0072249	A	30/11/2000
				WO	0072250	A	30/11/2000
				WO	0072286	A	30/11/2000
				WO	0072287	A	30/11/2000

## INTERNATIONAL SEARCH REPORT

Information on patent family members

31/08/2005

International application No.

PCT/SE 2005/001025

US	6678499	B1	13/01/2004	WO	0072499	A	30/11/2000
				WO	0072503	A	30/11/2000
				WO	0072505	A	30/11/2000
				WO	0072576	A	30/11/2000
				WO	0102905	A	11/01/2001
				WO	0102939	A	11/01/2001
				WO	0102940	A	11/01/2001
				WO	0102946	A	11/01/2001
				WO	0102947	A	11/01/2001
				WO	0102948	A	11/01/2001
				WO	0102977	A	11/01/2001
				WO	0102995	A	11/01/2001
				WO	0103012	A	11/01/2001
				WO	0103013	A	11/01/2001
				WO	0103014	A	11/01/2001
				WO	0103015	A	11/01/2001
				WO	0103016	A	11/01/2001
				WO	0103017	A	11/01/2001
				WO	0103018	A	11/01/2001
				WO	0103019	A	11/01/2001
				WO	0103020	A	11/01/2001
				WO	0103021	A	11/01/2001
				WO	0103022	A	11/01/2001
				WO	0103433	A	11/01/2001
				ZA	200200841	A	30/01/2003
				ZA	200200842	A	30/01/2003
				ZA	200200843	A	30/01/2003
				ZA	200200844	A	30/04/2003
				ZA	200200845	A	30/04/2003
				ZA	200200846	A	30/01/2003
				ZA	200200847	A	30/01/2003
				ZA	200200855	A	30/04/2003
				ZA	200200860	A	30/04/2003
				ZA	200200861	A	30/04/2003
				ZA	200200862	A	30/04/2003
				ZA	200200863	A	30/04/2003
				ZA	200200865	A	30/04/2003

---

4	03-01/07JP	T	20	2003	NONE
---	------------	---	----	------	------

---