



(51) International Patent Classification:
E04H 12/02 (2006.01) F21S 13/10 (2006.01)
E04H 12/12 (2006.01)

(74) Agent: SCHUMANN, Michael, D.; Hamre, Schumann,
Mueller & Larson, P.C., P.O. Box 2902, Minneapolis,
MN 55402 (US).

(21) International Application Number:
PCT/US2009/056244

(81) Designated States (unless otherwise indicated, for every
kind of national protection available): AE, AG, AL, AM,
AO, AT, AU, AZ, BA, BB, BG, BH, BR, BW, BY, BZ,
CA, CH, CL, CN, CO, CR, CU, CZ, DE, DK, DM, DO,
DZ, EC, EE, EG, ES, FI, GB, GD, GE, GH, GM, GT,
HN, HR, HU, ID, IL, IN, IS, JP, KE, KG, KM, KN, KP,
KR, KZ, LA, LC, LK, LR, LS, LT, LU, LY, MA, MD,
ME, MG, MK, MN, MW, MX, MY, MZ, NA, NG, NI,
NO, NZ, OM, PE, PG, PH, PL, PT, RO, RS, RU, SC, SD,
SE, SG, SK, SL, SM, ST, SV, SY, TJ, TM, TN, TR, TT,
TZ, UA, UG, US, UZ, VC, VN, ZA, ZM, ZW.

(22) International Filing Date:
8 September 2009 (08.09.2009)

(25) Filing Language: English

(26) Publication Language: English

(30) Priority Data:
61/094,600 5 September 2008 (05.09.2008) US

(71) Applicant (for all designated States except US):
CONETT, INC. [US/US]; 1421 Second Avenue N.W.,
Stewartville, MN 55976 (US).

(84) Designated States (unless otherwise indicated, for every
kind of regional protection available): ARIPO (BW, GH,
GM, KE, LS, MW, MZ, NA, SD, SL, SZ, TZ, UG, ZM,
ZW), Eurasian (AM, AZ, BY, KG, KZ, MD, RU, TJ,
TM), European (AT, BE, BG, CH, CY, CZ, DE, DK, EE,
ES, FI, FR, GB, GR, HR, HU, IE, IS, IT, LT, LU, LV,
MC, MK, MT, NL, NO, PL, PT, RO, SE, SI, SK, SM,

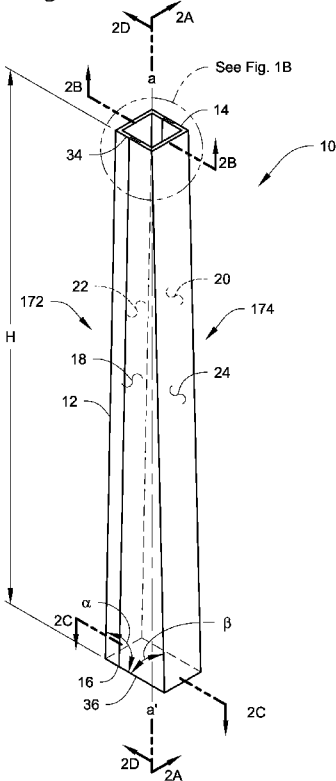
(72) Inventor; and

(75) Inventor/Applicant (for US only): FINGERSON, Con-
rad, F. [US/US]; 901 Southern Pine Lane SW, Rochester,
MN 55902 (US).

[Continued on next page]

(54) Title: UTILITY POLE AND METHOD FOR MAKING THE SAME

Fig. 1A



(57) Abstract: Utility poles can be used as, electrical power poles, light poles, telephone poles and the like. A composite utility pole includes a tapered elongated body having a top end and a base end, where a cross section of the base end is larger than that of the top end. An elongated body can be made by diagonally cutting a common composite member into at least two tapered elongated segments. Each tapered elongated segment includes a larger end having a larger cross section area and a smaller end having a smaller cross section area. At least one tapered elongated segment is then rotated 180 degrees about an axis transverse to a longitudinal axis of the hollow member such that all the larger ends are placed toward each other. The tapered elongated segments are then assembled together into an elongated body.

WO 2010/028376 A3



TR), OAPI (BF, BJ, CF, CG, CI, CM, GA, GN, GQ, GW, ML, MR, NE, SN, TD, TG).

— *before the expiration of the time limit for amending the claims and to be republished in the event of receipt of amendments (Rule 48.2(h))*

Published:

— *with international search report (Art. 21(3))*

(88) Date of publication of the international search report:

3 June 2010

INTERNATIONAL SEARCH REPORT

International application No.
PCT/US2009/056244**A. CLASSIFICATION OF SUBJECT MATTER***E04H 12/02(2006.01)i, E04H 12/12(2006.01)i, F21S 13/10(2006.01)i*

According to International Patent Classification (IPC) or to both national classification and IPC

B. FIELDS SEARCHED

Minimum documentation searched (classification system followed by classification symbols)

E04H 12/02; E04C 3/30; E04H 12/12

Documentation searched other than minimum documentation to the extent that such documents are included in the fields searched

Korean utility models and applications for utility models
Japanese utility models and applications for utility models
(Chinese Patents and application for patent)

Electronic data base consulted during the international search (name of data base and, where practicable, search terms used)

eKOMPASS(KIPO internal) & Keywords: utility, pole, modular

C. DOCUMENTS CONSIDERED TO BE RELEVANT

Category*	Citation of document, with indication, where appropriate, of the relevant passages	Relevant to claim No.
Y	US 2005-0160697 A1 (ZACHARY OLIPHANT et al.) 28 July 2005 See the whole document.	1-15
Y	US 6286281 B1 (JOHNSON; DAVID W.) 11 September 2001 See the whole document.	1-15
A	US 5513477 A1 (FARBER; MILTON L.) 07 May 1996 See the abstract and figures 2-3.	1-15
A	US 6453635 B1 (TURNER; DARYL) 24 September 2002 See the abstract and figures 9-10.	1-15
A	US 6094881 A1 (LOCKWOOD; WILLIAM D.) 01 August 2000 See the whole document.	1-15

 Further documents are listed in the continuation of Box C. See patent family annex.

* Special categories of cited documents:

"A" document defining the general state of the art which is not considered to be of particular relevance

"E" earlier application or patent but published on or after the international filing date

"L" document which may throw doubts on priority claim(s) or which is cited to establish the publication date of citation or other special reason (as specified)

"O" document referring to an oral disclosure, use, exhibition or other means

"P" document published prior to the international filing date but later than the priority date claimed

"T" later document published after the international filing date or priority date and not in conflict with the application but cited to understand the principle or theory underlying the invention

"X" document of particular relevance; the claimed invention cannot be considered novel or cannot be considered to involve an inventive step when the document is taken alone

"Y" document of particular relevance; the claimed invention cannot be considered to involve an inventive step when the document is combined with one or more other such documents, such combination being obvious to a person skilled in the art

"&" document member of the same patent family

Date of the actual completion of the international search

09 APRIL 2010 (09.04.2010)

Date of mailing of the international search report

12 APRIL 2010 (12.04.2010)

Name and mailing address of the ISA/KR

Korean Intellectual Property Office
Government Complex-Daejeon, 139 Seonsa-ro, Seo-
gu, Daejeon 302-701, Republic of Korea

Facsimile No. 82-42-472-7140

Authorized officer

KWON, JANG SEOB

Telephone No. 82-42-481-8178



INTERNATIONAL SEARCH REPORT

Information on patent family members

International application No.

PCT/US2009/056244

Patent document cited in search report	Publication date	Patent family member(s)	Publication date
US 2005-0160697 A1	28.07.2005	US 7159370 B2	09.01.2007
US 6286281 B1	11.09.2001	CA 2154341 C	26.12.2000
		EP 0492940 A1	01.07.1992
		EP 0492940 B1	12.07.1995
		EP 0742862 A1	09.05.2001
		EP 0742862 A1	20.11.1996
		EP 0742862 A4	26.02.1997
		JP 03-191333 B2	25.05.2001
		JP 04-356478 A	10.12.1992
		JP 08-509275 A	01.10.1996
		JP 3191333 B2	23.07.2001
		JP 8509275 T	01.10.1996
		KR 10-1992-0011985 A	25.07.1992
		US 4715503 A1	29.12.1987
		US 4809146 A1	28.02.1989
		US 4825620 A1	02.05.1989
		US 4991726 A1	12.02.1991
		US 5024036 A1	18.06.1991
		US 5197818 A1	30.03.1993
		US 5218129 A1	08.06.1993
		US 5222344 A1	29.06.1993
		US 5247774 A1	28.09.1993
		US 5285613 A1	15.02.1994
		US 5319901 A1	14.06.1994
		US 5597629 A1	28.01.1997
		US 5617692 A1	08.04.1997
		US 5644888 A1	08.07.1997
		US 5749198 A1	12.05.1998
		US 5795424 A1	18.08.1998
		WO 91-19871 A1	26.12.1991
		WO 93-15292 A1	05.08.1993
US 5513477 A1	07.05.1996	None	
US 6453635 B1	24.09.2002	AU 1999-49989 A1	07.02.2000
		CA 2337525 C	17.04.2007
		CA 2337525-A1	27.01.2000
		CA 2380002-A1	29.11.2001
		CN 1113139 C	02.07.2003
		CN 1313922 A	19.09.2001
		CN 1313922 C0	19.09.2001
		CN 1386155 A0	18.12.2002
		EP 1097279 A1	09.05.2001
		EP 1097279 A4	25.06.2003
		EP 1283927 A1	19.02.2003
		EP 1283927 A4	26.11.2003
		JP 04-397124 B2	30.10.2009
		JP 2002-520526 A	09.07.2002
		JP 2002-520526 T	09.07.2002

INTERNATIONAL SEARCH REPORT

Information on patent family members

International application No.

PCT/US2009/056244

Patent document cited in search report	Publication date	Patent family member(s)	Publication date
		JP 2003-534473 A	18.11.2003
		KR 10-0684816 B1	20.02.2007
		KR 10-2002-0033740 A	07.05.2002
		US 5809734 A1	22.09.1998
		US 5870877 A1	16.02.1999
		US 6155017 A1	05.12.2000
		WO 00-04251 A1	27.01.2000
		WO 01-90504 A1	29.11.2001
		WO 98-30768 A1	16.07.1998
US 6094881 A1	01.08.2000	None	