



US00D777697S

(12) **United States Design Patent**
Kim et al.

(10) **Patent No.:** **US D777,697 S**
(45) **Date of Patent:** **** Jan. 31, 2017**

- (54) **TELEVISION RECEIVER**
- (71) Applicant: **Samsung Electronics Co., Ltd.**,
Suwon-si (KR)
- (72) Inventors: **Jang-Ho Kim**, Seoul (KR); **Chul-Yong Cho**, Seoul (KR); **Sang-Yong Park**,
Bucheon-si (KR); **Ki-Hong Kim**,
Goyang-si (KR)
- (73) Assignee: **Samsung Electronics Co., Ltd.**,
Suwon-si (KR)
- (**) Term: **15 Years**
- (21) Appl. No.: **29/567,907**
- (22) Filed: **Jun. 14, 2016**
- (30) **Foreign Application Priority Data**

Dec. 21, 2015 (KR) 30-2015-0065263

- (51) **LOC (10) CL.** **14-03**
- (52) **U.S. Cl.**
USPC **D14/126**

- (58) **Field of Classification Search**
USPC D14/125-134, 239, 371, 136, 374-377,
D14/440, 450, 448, 336, 342, 159;
312/7.2; 348/836, 838, 180, 184, 325,
348/739; 248/917-924, 465; 345/104,
345/133, 156, 168, 87, 173; D21/329,
D21/515, 577, 622, 333, 433, 448, 452,
D21/450, 331, 505; D10/15, 26; 446/484,
446/175, 356; D6/477, 479, 300; D20/10,
D20/19, 39; D16/203, 241; 160/24
CPC G06F 1/1601; G06F 1/1643; G06F 1/1652;
G06F 1/1647; G06F 3/0412; H05K
5/0004; H05K 5/0017; H05K 5/02; H05K
5/0217; H04N 13/0459
See application file for complete search history.

(56) **References Cited**

U.S. PATENT DOCUMENTS

- D555,122 S 11/2007 Solomon et al.
- D670,257 S * 11/2012 Yang D14/126

- D680,106 S * 4/2013 Hwangbo D14/239
- D716,244 S * 10/2014 Kim D14/126
- D727,865 S * 4/2015 Moon D14/126
- D729,755 S 5/2015 McManigal et al.
- D731,994 S * 6/2015 Won D14/126
- D735,153 S * 7/2015 Snyder D14/126
- D748,596 S * 2/2016 McManigal D14/126
- D749,532 S * 2/2016 McManigal D14/126
- D751,519 S * 3/2016 Ma D14/126
- D757,667 S * 5/2016 Yokota D14/126

FOREIGN PATENT DOCUMENTS

- EM 000594585-0001 10/2006
- EM 002371955-0004 2/2013
- KR 30-2014-0000759 9/2014

* cited by examiner

Primary Examiner — Raphael Barkai
(74) *Attorney, Agent, or Firm* — NSIP Law

(57) **CLAIM**

We claim the ornamental design for a television receiver, as shown and described.

DESCRIPTION

FIG. 1 is a front perspective view of a television receiver showing our new design;
 FIG. 2 is a front view thereof;
 FIG. 3 is a rear view thereof;
 FIG. 4 is a left-side view thereof;
 FIG. 5 is a right-side view thereof;
 FIG. 6 is a top view thereof;
 FIG. 7 is a bottom view thereof; and,
 FIG. 8 is a rear perspective view thereof.
 The broken lines in the figures depict environmental subject matter and form no part of the claimed design.

1 Claim, 6 Drawing Sheets

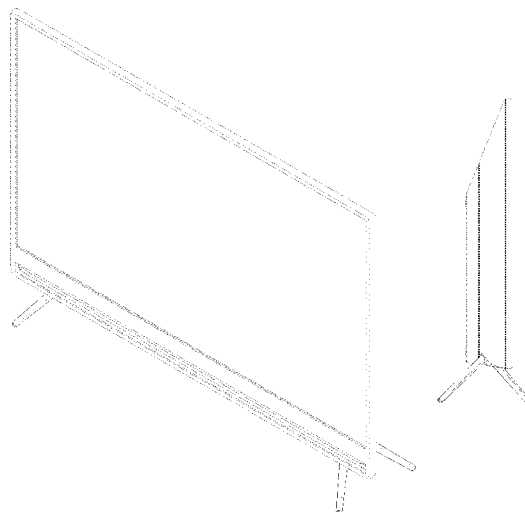


FIG. 1

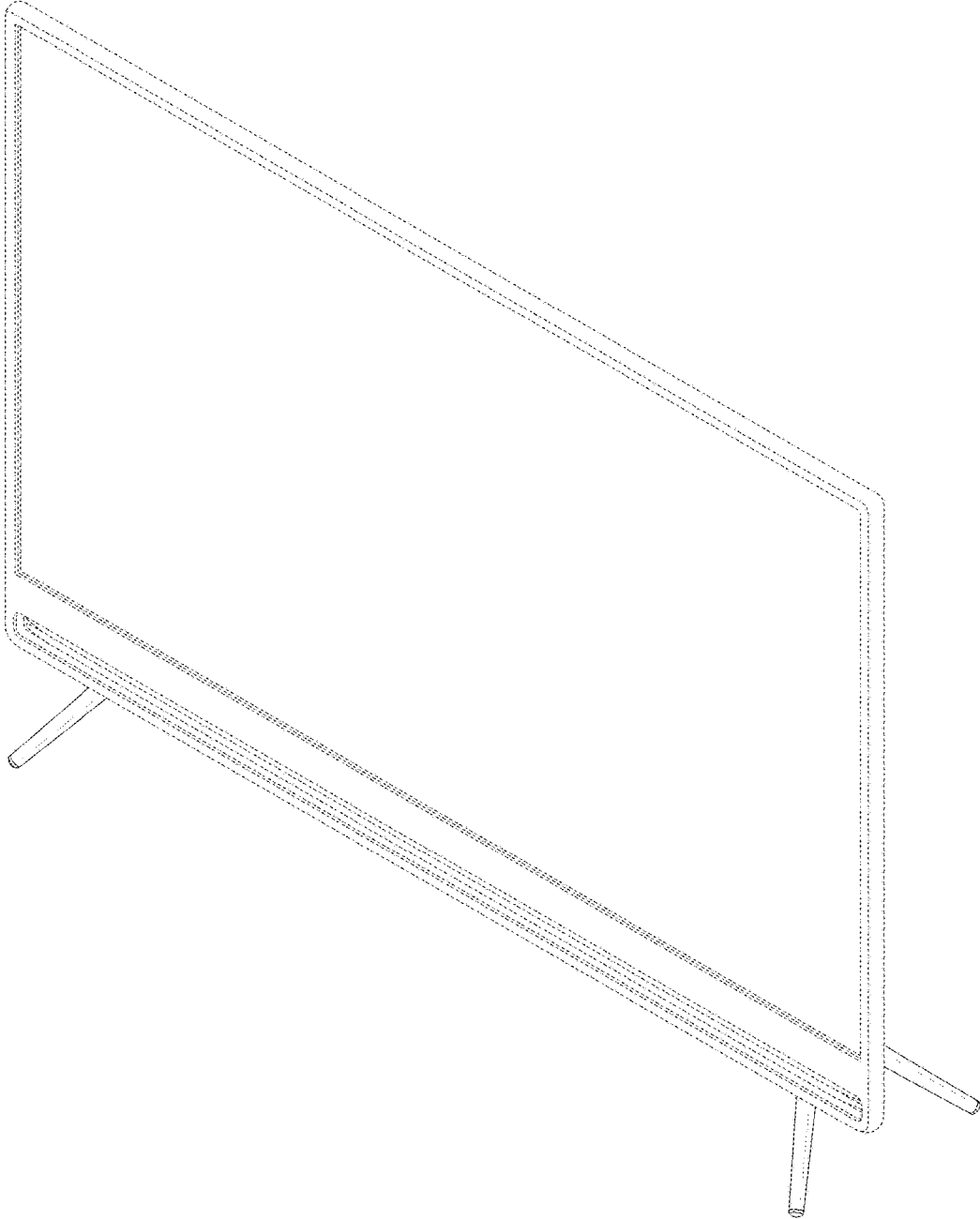


FIG. 2



FIG. 3

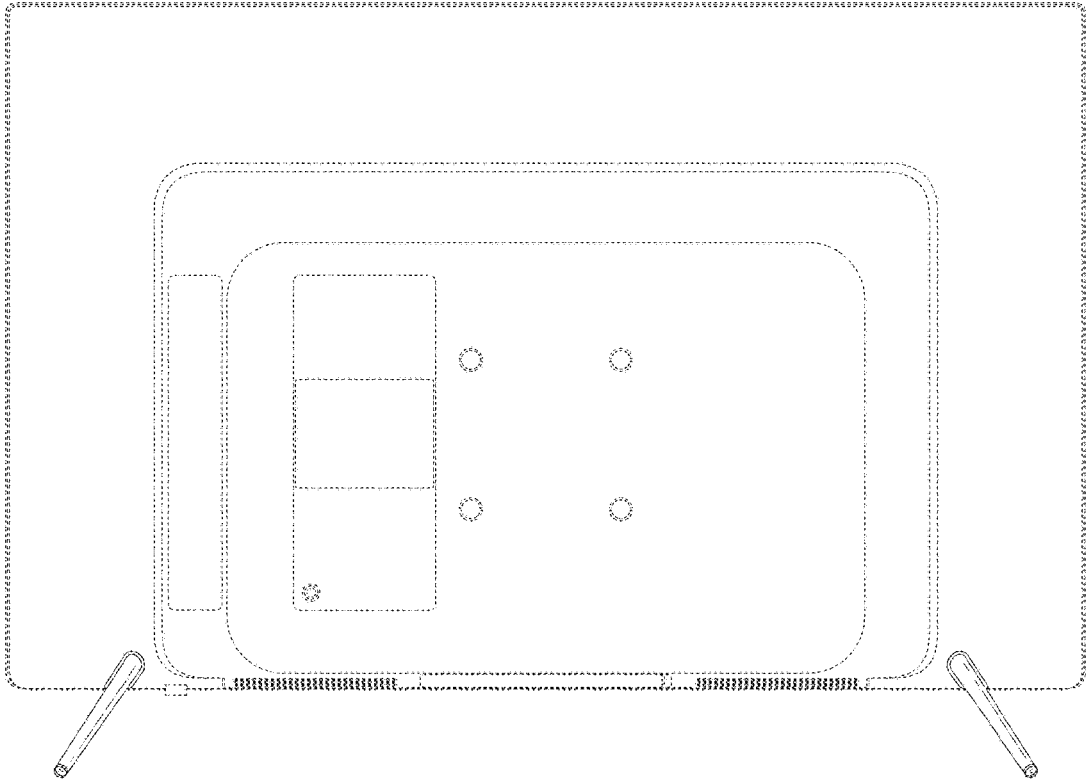


FIG. 4

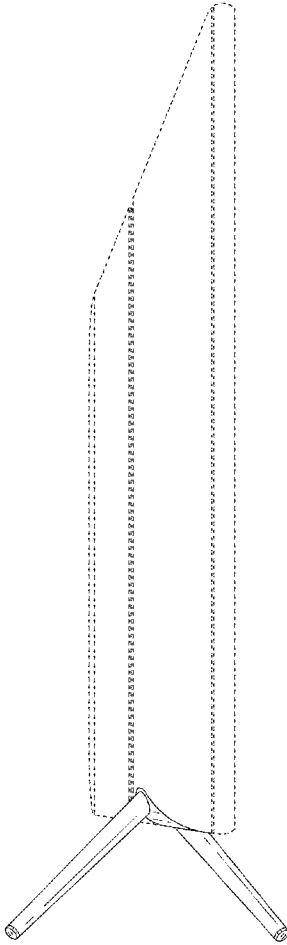


FIG. 5

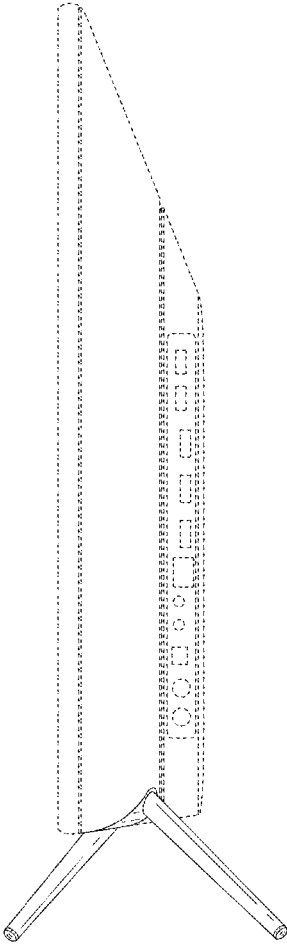


FIG. 6

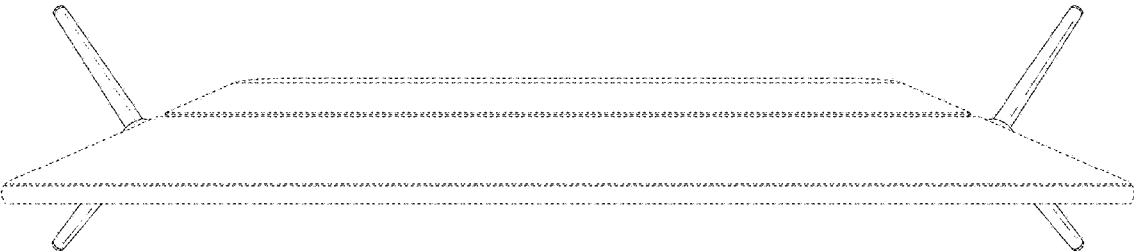


FIG. 7

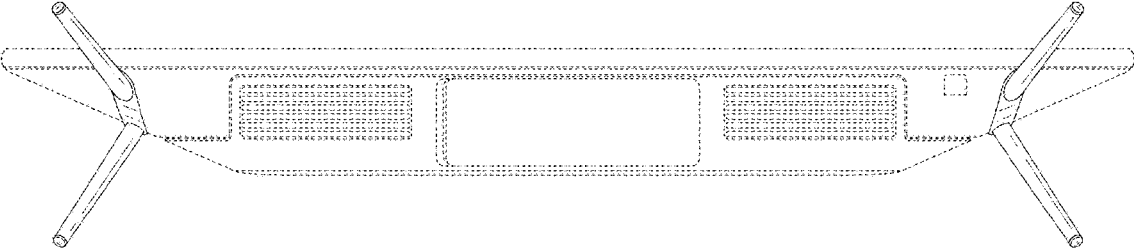


FIG. 8

