



US00D483063S

(12) **United States Design Patent** (10) **Patent No.:** **US D483,063 S**
Jones (45) **Date of Patent:** **** *Dec. 2, 2003**

- (54) **COLOR INK STICK FOR SOLID INK PRINTER**
- (75) Inventor: **Brent R. Jones**, Tualatin, OR (US)
- (73) Assignee: **Xerox Corporation**, Stamford, CT (US)
- (*) Notice: This patent is subject to a terminal disclaimer.
- (**) Term: **14 Years**
- (21) Appl. No.: **29/167,992**
- (22) Filed: **Sep. 25, 2002**
- (51) **LOC (7) Cl.** **18-02**
- (52) **U.S. Cl.** **D18/56**
- (58) **Field of Search** D18/56, 43; 347/88, 347/99; 106/31.29, 31.61; D21/484, 486, 490, 491, 493, 499; 434/159, 403

- D402,308 S 12/1998 Yao et al.
- D403,351 S 12/1998 Yao et al.
- D403,352 S 12/1998 Brown et al.
- D403,699 S 1/1999 Chin et al.
- D407,109 S 3/1999 Yao et al.
- D407,110 S 3/1999 Yao et al.
- D407,111 S 3/1999 Brown et al.
- D407,112 S 3/1999 Chin et al.
- D407,742 S 4/1999 Yao et al.
- D407,743 S 4/1999 Yao et al.
- D407,745 S 4/1999 Brown et al.
- D408,849 S 4/1999 Chin et al.
- D409,235 S 5/1999 Chin et al.
- D409,237 S 5/1999 Ellers et al.
- D410,026 S 5/1999 Brown et al.
- D410,490 S 6/1999 Mattern et al.
- D412,527 S 8/1999 Ellers et al.
- D412,528 S 8/1999 Ellers et al.
- D412,934 S 8/1999 Jones
- D413,625 S 9/1999 Brown et al.
- D414,200 S 9/1999 Jones
- D415,193 S 10/1999 Jones
- D436,124 S 1/2001 Mattern et al.
- D436,989 S 1/2001 Mattern et al.
- D440,248 S 4/2001 Mattern et al.
- D440,249 S 4/2001 Ellers et al.
- D453,786 S 2/2002 Mattern
- D453,787 S 2/2002 Mattern

(56) **References Cited**

U.S. PATENT DOCUMENTS

- D335,683 S 5/1993 Smith
- 5,223,860 A 6/1993 Looftbourow et al.
- D346,821 S 5/1994 Smith
- 5,442,387 A 8/1995 Looftbourow et al.
- 5,510,821 A 4/1996 Jones et al.
- D371,801 S 7/1996 Jones et al.
- D371,802 S 7/1996 Jones et al.
- D372,268 S 7/1996 Jones et al.
- D372,270 S 7/1996 Jones et al.
- D373,139 S 8/1996 Jones et al.
- D379,470 S 5/1997 Gilbert
- D379,471 S 5/1997 Gilbert
- D379,639 S 6/1997 Gilbert
- D379,640 S 6/1997 Gilbert
- D380,771 S 7/1997 Jones
- D383,153 S 9/1997 Jones et al.
- D383,154 S 9/1997 Jones et al.

Primary Examiner—Cathy Anne MacCormac

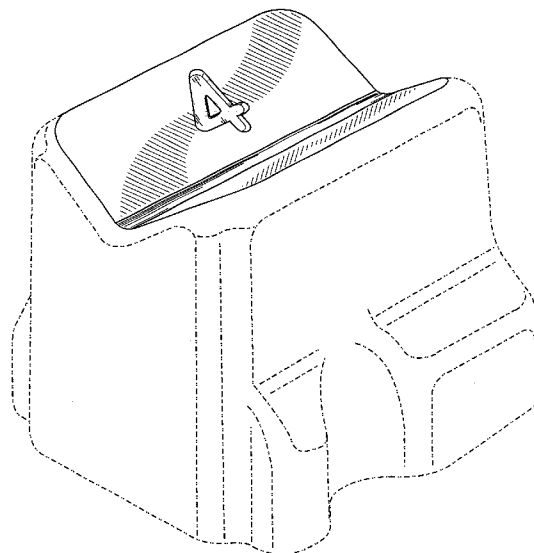
(57) **CLAIM**

The ornamental design for a color ink stick for solid ink printer, as shown and described.

DESCRIPTION

FIG. 1 is a bottom perspective view of a color ink stick for solid ink printer showing my new design; and, FIG. 2 is a bottom plan view thereof. The broken lines are for purposes of illustration only and form no part of the claimed design.

1 Claim, 2 Drawing Sheets



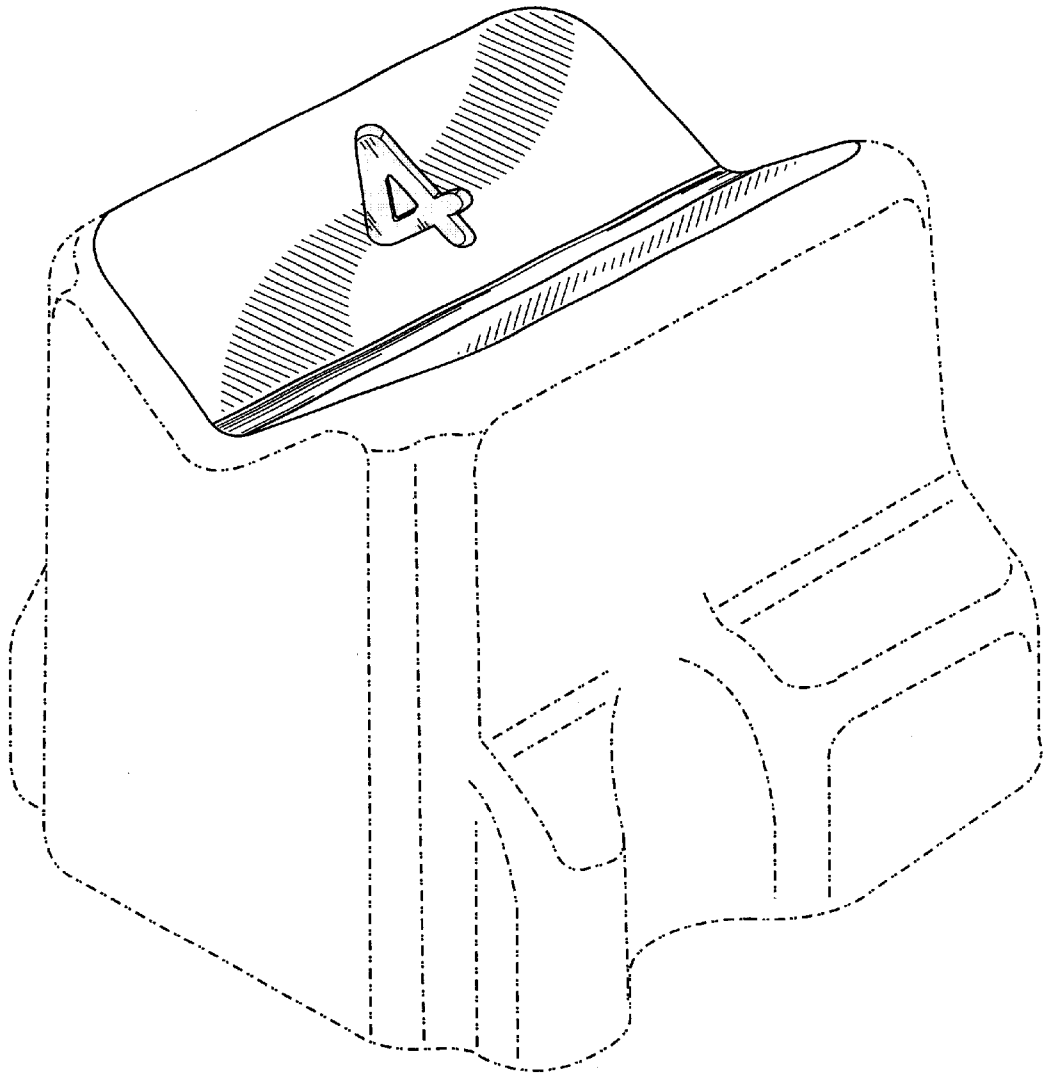


FIG. 1

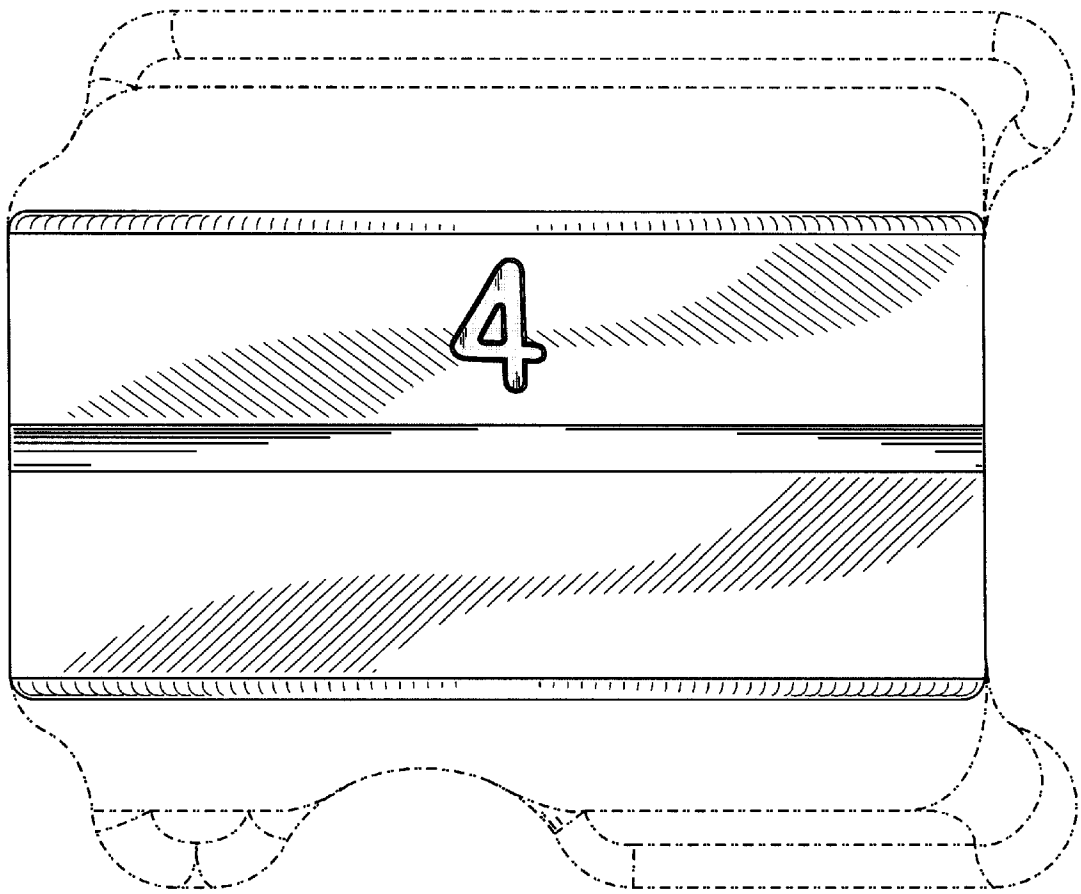


FIG. 2