



US0D1008917S

(12) **United States Design Patent** (10) **Patent No.:** **US D1,008,917 S**
Badstuebner et al. (45) **Date of Patent:** **** Dec. 26, 2023**

(54) **WHEEL OR WHEEL COVER**
(71) Applicant: **Daimler AG**, Stuttgart (DE)

D893,379 S * 8/2020 Wheel D12/209
D900,695 S * 11/2020 Vaya D12/209
D976,794 S * 1/2023 Hans D12/211

(72) Inventors: **Achim-Dietrich Badstuebner**, Sindelfingen (DE); **Robert Lesnik**, Leonberg (DE); **Hanne Ruoff**, Boeblingen (DE); **Thomas Saelzle**, Kornwestheim (DE); **Gorden Wagener**, Wangen (DE); **Michael Wilden**, Munich (DE)

FOREIGN PATENT DOCUMENTS

CN 201330453613 * 4/2014
CN 201530399401 * 3/2016
CN 202130202996.5 * 10/2021
EM 001824616-0001 7/2012
RU 2020500110 * 9/2020

(73) Assignee: **Mercedes-Benz Group AG**, Stuttgart (DE)

OTHER PUBLICATIONS

Cargym, posting date N/A [online], [retrieved Jul. 21, 2023]. Retrieved from internet, <https://cargym.com/en-us/products/20-mercedes-benz-eqs-v297-5-spoke-oem-wheels> (Year: 2023).*
Autorimshop, posting date N/A [online], [retrieved Jul. 21, 2023]. Retrieved from internet, <https://www.autorimshop.com/wheels-tires/wheels/18-replacement-wheel-rim-crw75242.html?year=2022> (Year: 2023).*

(**) Term: **15 Years**

* cited by examiner

(21) Appl. No.: **29/811,113**

(22) Filed: **Oct. 12, 2021**

(51) **LOC (14) Cl.** **12-16**

(52) **U.S. Cl.**
USPC **D12/211**; D21/563

(58) **Field of Classification Search**
USPC D12/202, 204-213, 501; D21/495, 563
CPC B60B 1/00; B60B 1/02; B60B 1/08; B60B 1/12; B60B 3/00; B60B 3/001; B60B 3/002; B60B 3/02; B60B 3/04; B60B 3/06; B60B 3/10; B60B 5/00; B60B 7/00; B60B 7/0013; B60B 7/0026; B60B 7/01; B60B 7/02; B60B 7/04; B60B 7/06; B60B 7/18; B60B 9/00; B60B 21/00
See application file for complete search history.

Primary Examiner — Garth Rademaker
Assistant Examiner — Aaron C Fowler

(74) *Attorney, Agent, or Firm* — Crowell & Moring LLP

(57) **CLAIM**

The ornamental design for a wheel or wheel cover, as shown and described.

(56) **References Cited**

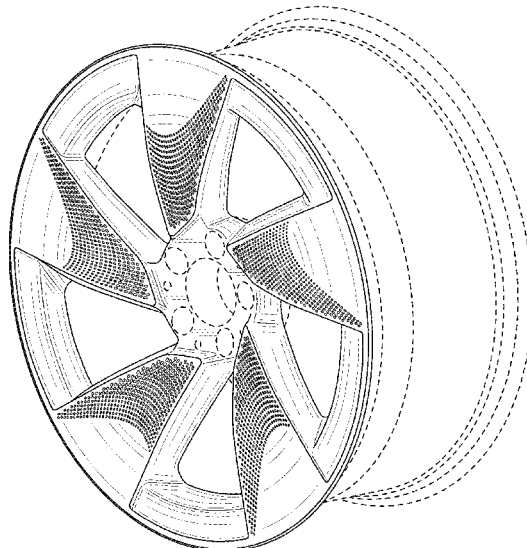
U.S. PATENT DOCUMENTS

D581,337 S * 11/2008 Juergens D12/209
D751,021 S * 3/2016 Vaya D12/211
D824,309 S * 7/2018 Oh D12/209
D863,192 S * 10/2019 Flores D12/209
D877,024 S * 3/2020 Valencia Pollex D12/209

DESCRIPTION

FIG. 1 is a perspective view of a wheel or wheel cover according to the design; and, FIG. 2 is a front view thereof. The broken lines in the drawings illustrate environmental subject matter only and form no part of the claimed design.

1 Claim, 2 Drawing Sheets



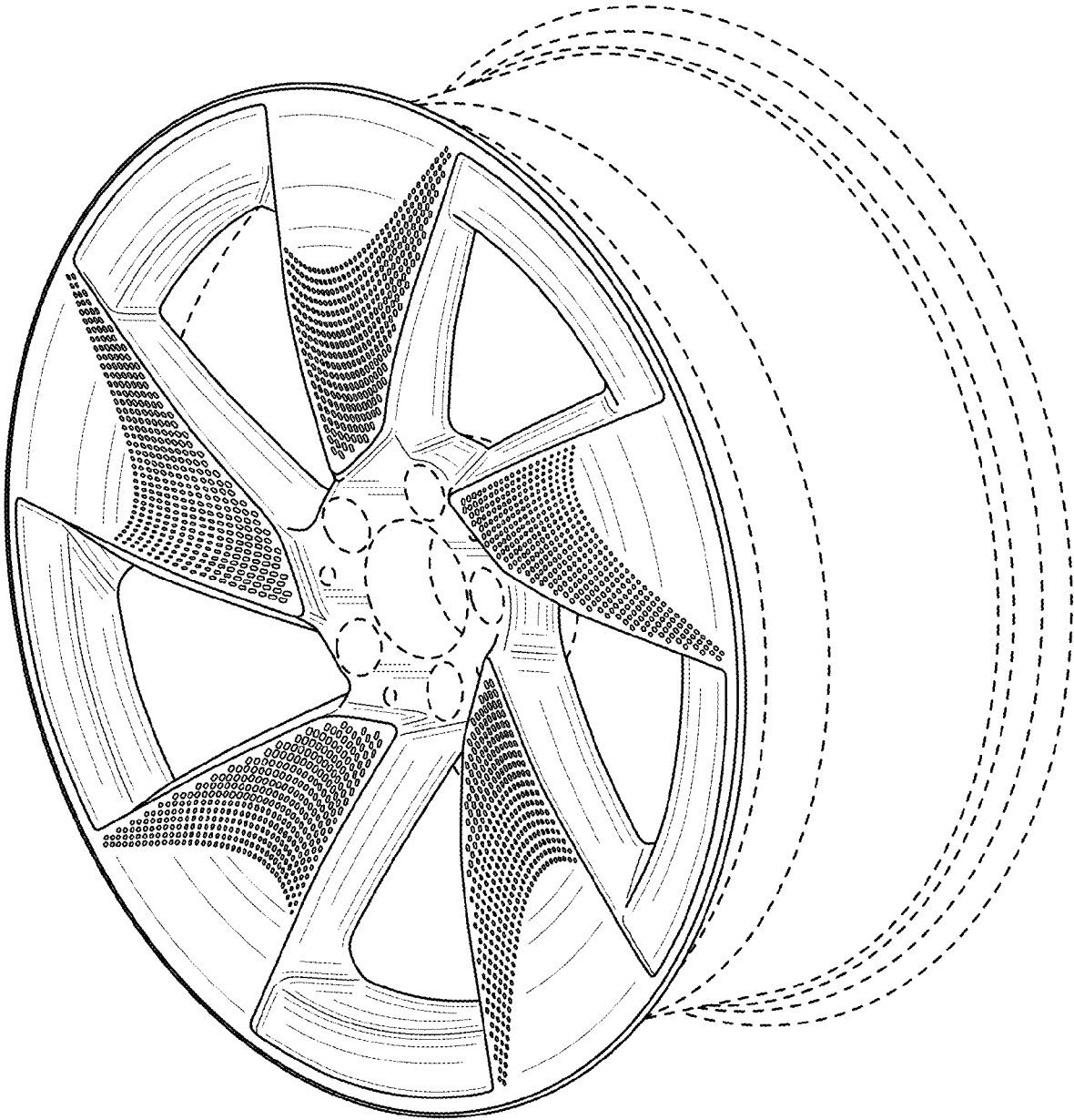


FIG. 1

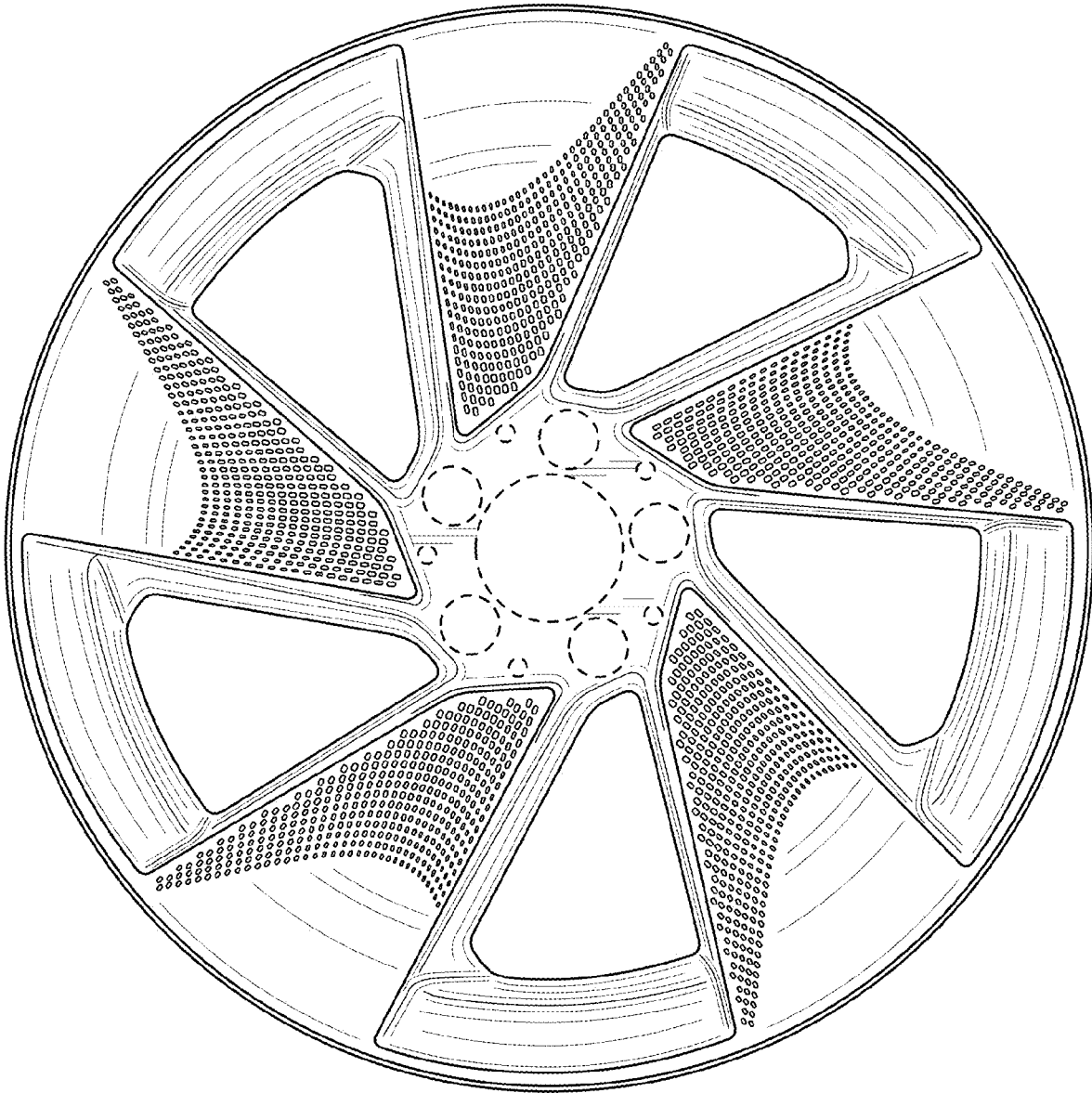


FIG. 2