



US00D649804S

(12) **United States Design Patent**
Keller et al.

(10) **Patent No.:** **US D649,804 S**

(45) **Date of Patent:** **** Dec. 6, 2011**

(54) **CHAIR**

(75) Inventors: **Miles Colin Keller**, Toronto (CA); **Gary Neil**, Mississauga (CA)

(73) Assignee: **Allseating Corporation**, Mississauga (CA)

(**) Term: **14 Years**

(21) Appl. No.: **29/392,275**

(22) Filed: **May 19, 2011**

(51) **LOC (9) Cl.** **06-01**

(52) **U.S. Cl.** **D6/376; D6/374; D6/380**

(58) **Field of Classification Search** D6/334-336,
D6/374, 376, 379, 380, 499, 500-502; 297/183.7,
297/239, 445.1, 446.1, 452.19, 452.2, 452.21
See application file for complete search history.

(56) **References Cited**

U.S. PATENT DOCUMENTS

D458,468 S *	6/2002	Levrangi	D6/376
D464,494 S *	10/2002	Gasca Burges	D6/374
D467,445 S *	12/2002	Saffell et al.	D6/374
D482,540 S *	11/2003	Ashby	D6/374
D515,331 S *	2/2006	Piretti	D6/380

D581,689 S *	12/2008	Marini	D6/380
D594,669 S *	6/2009	Asano	D6/376
D600,935 S *	9/2009	Koh	D6/376
D637,838 S *	5/2011	Piretti	D6/500
D637,839 S *	5/2011	Piretti	D6/500
D638,641 S *	5/2011	Piretti	D6/500
2005/0173954 A1 *	8/2005	Weber et al.	297/239

* cited by examiner

Primary Examiner — Mimosa De

(74) *Attorney, Agent, or Firm* — Macleod Dixon LLP

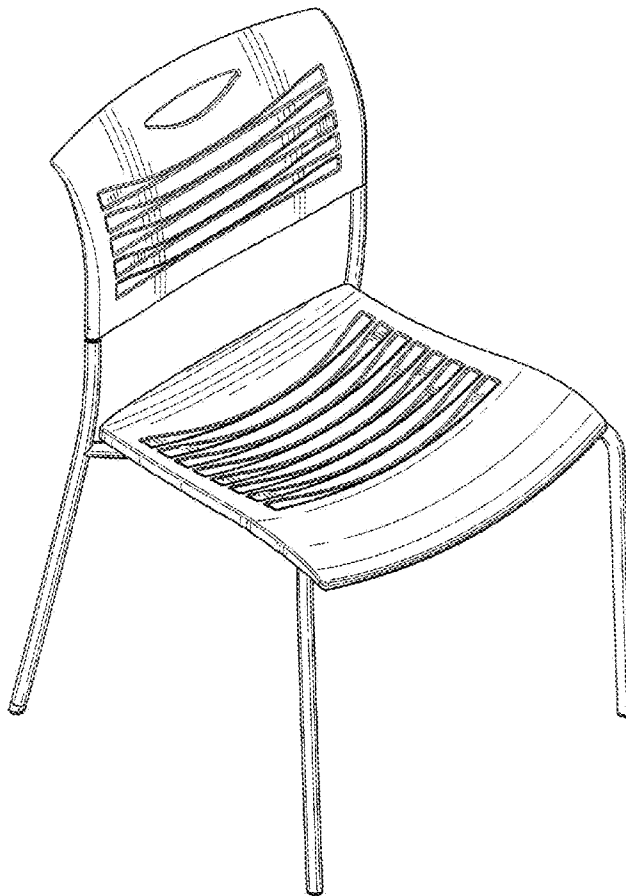
(57) **CLAIM**

The ornamental design for a chair, as shown and described.

DESCRIPTION

FIG. 1 is a front perspective view of the chair.
 FIG. 2 is a back perspective view of the chair.
 FIG. 3 is a right side view of the chair.
 FIG. 4 is a front view of the chair.
 FIG. 5 is a left side view of the chair.
 FIG. 6 is a back view of the chair.
 FIG. 7 is a top plan view of the chair; and,
 FIG. 8 is a bottom plan view of the chair.

1 Claim, 5 Drawing Sheets



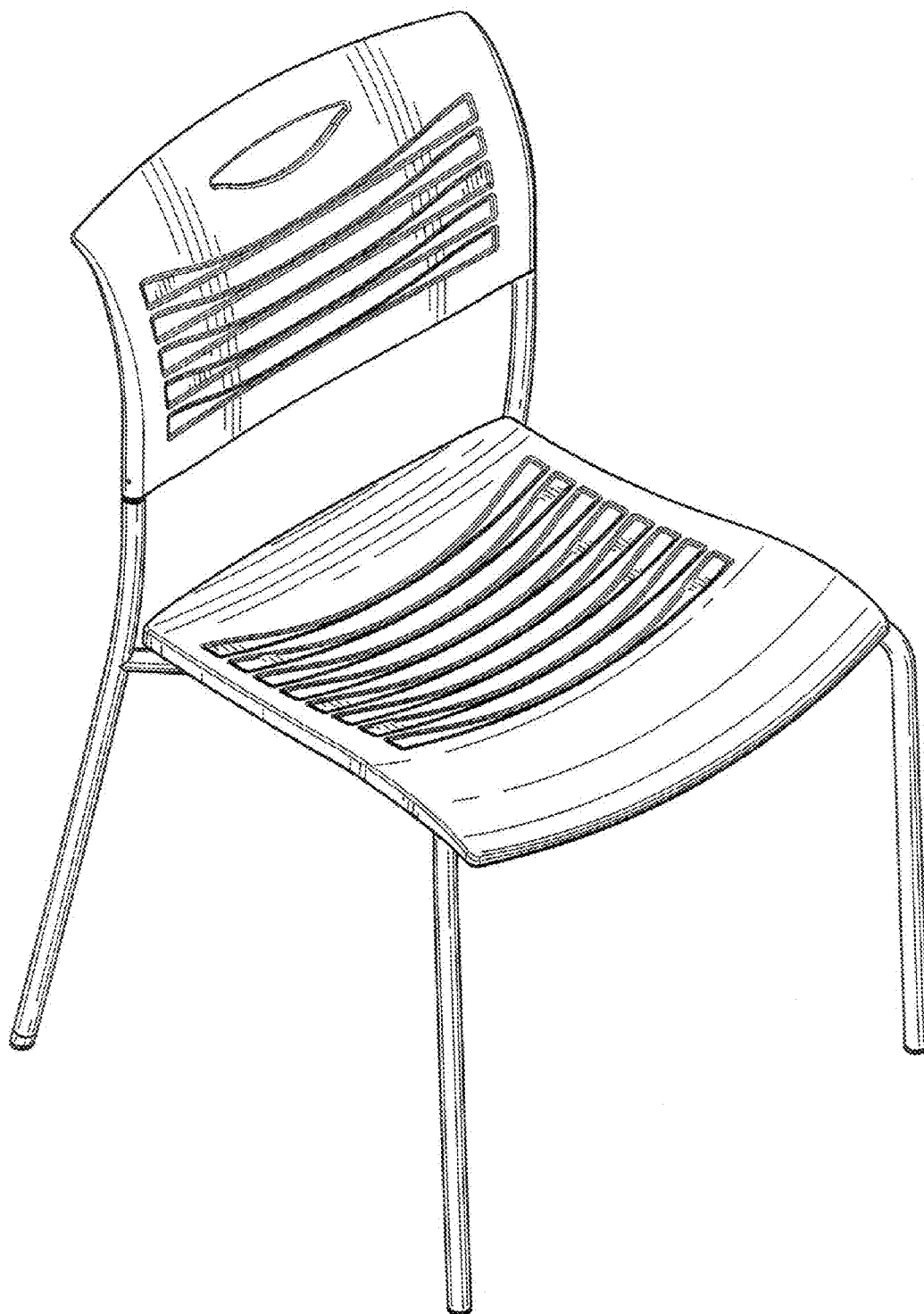


FIG. 1

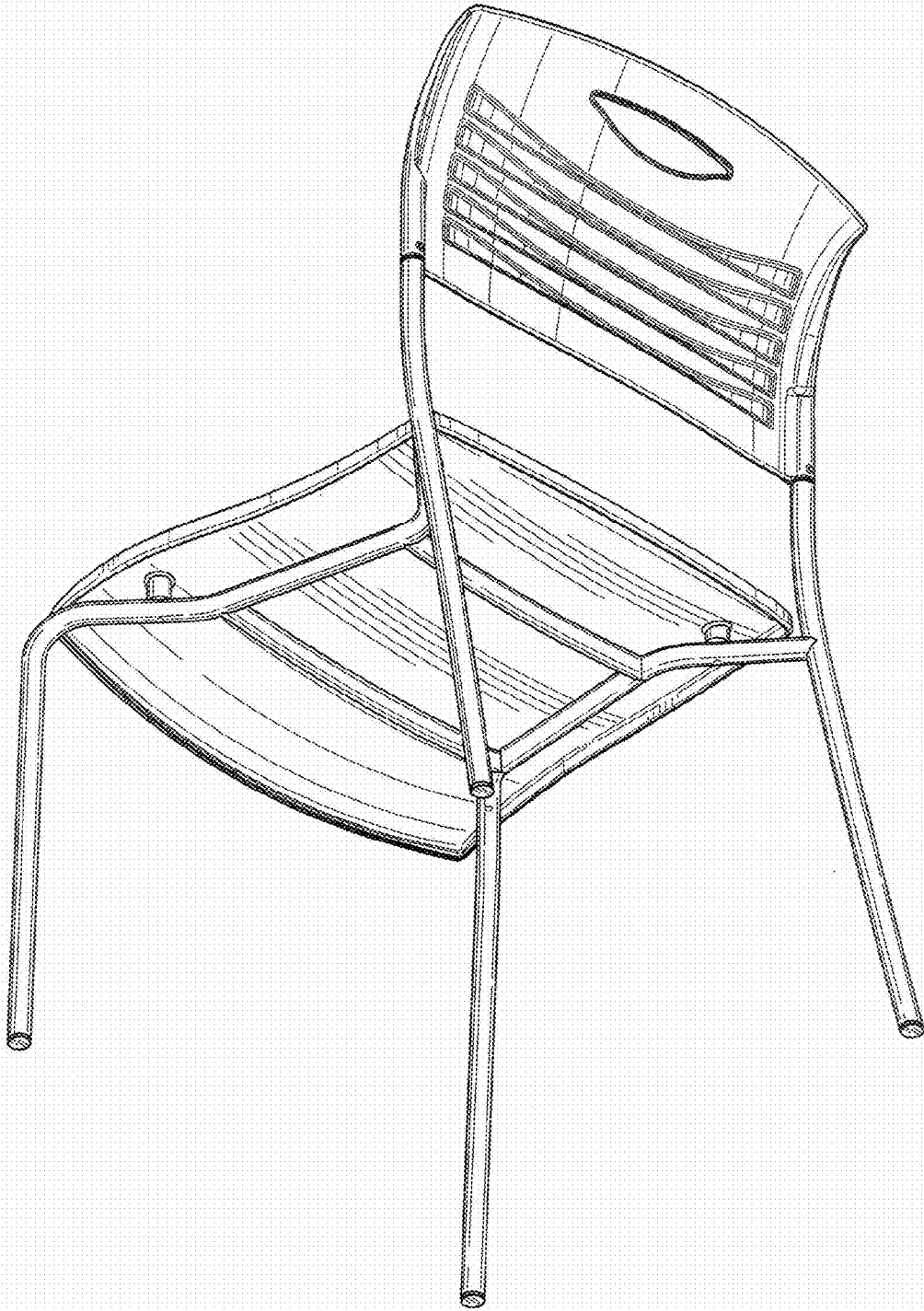


FIG. 2

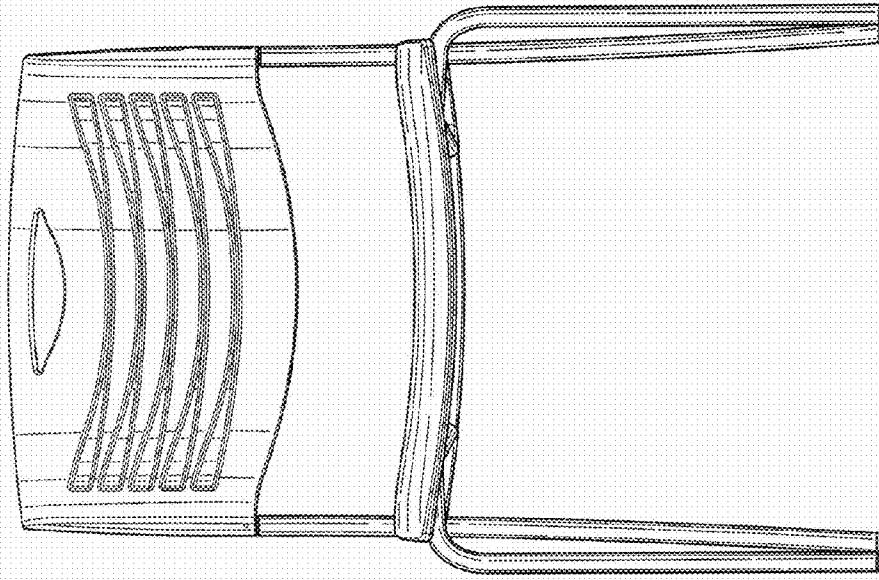


FIG. 4

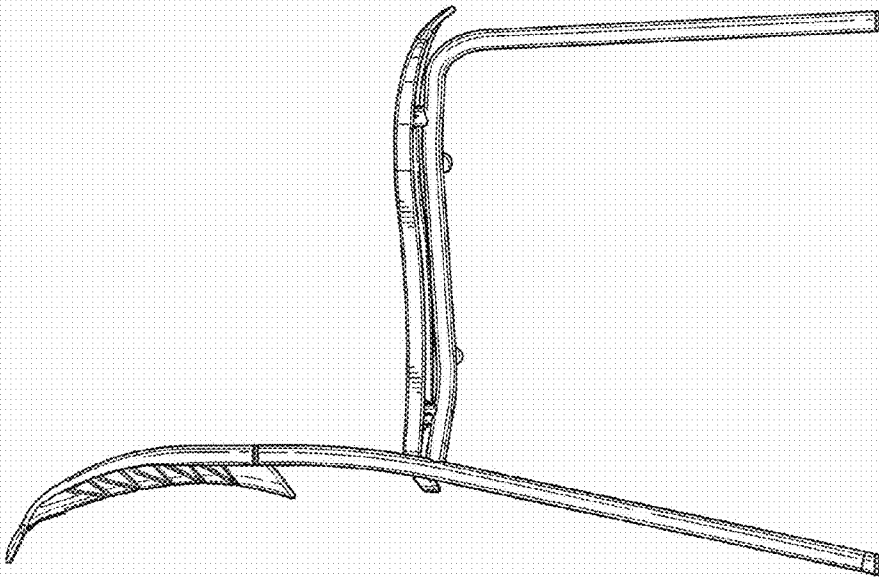


FIG. 3

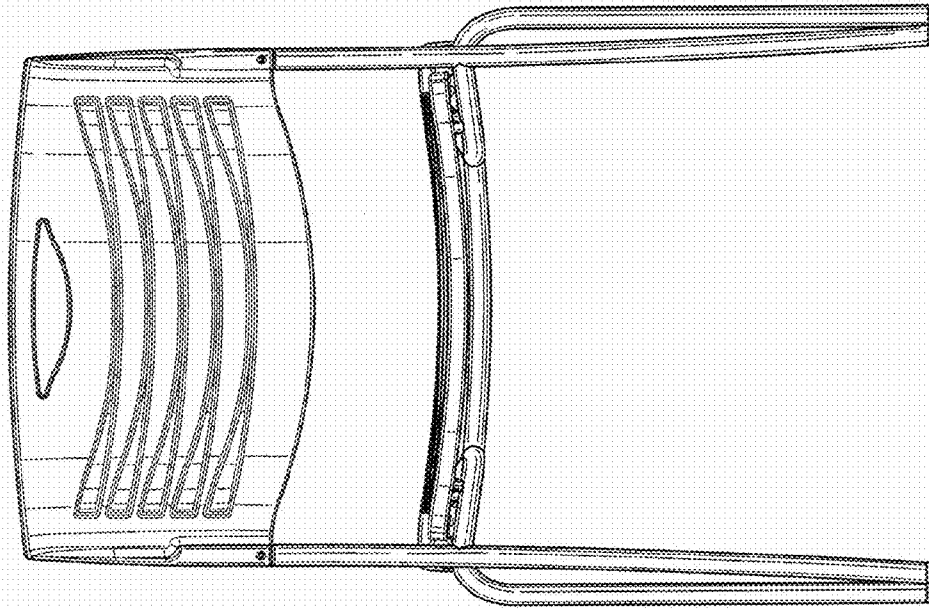


FIG. 6

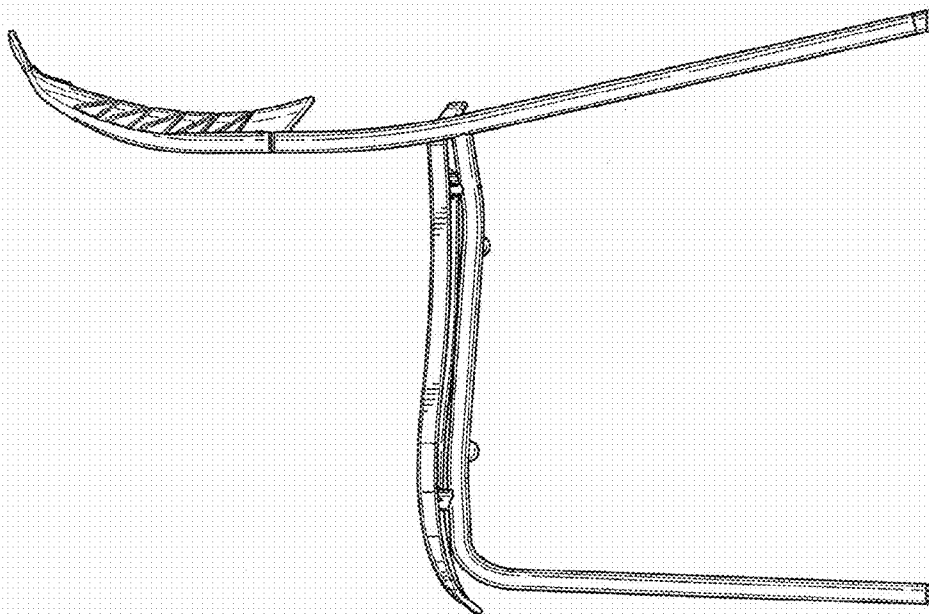


FIG. 5

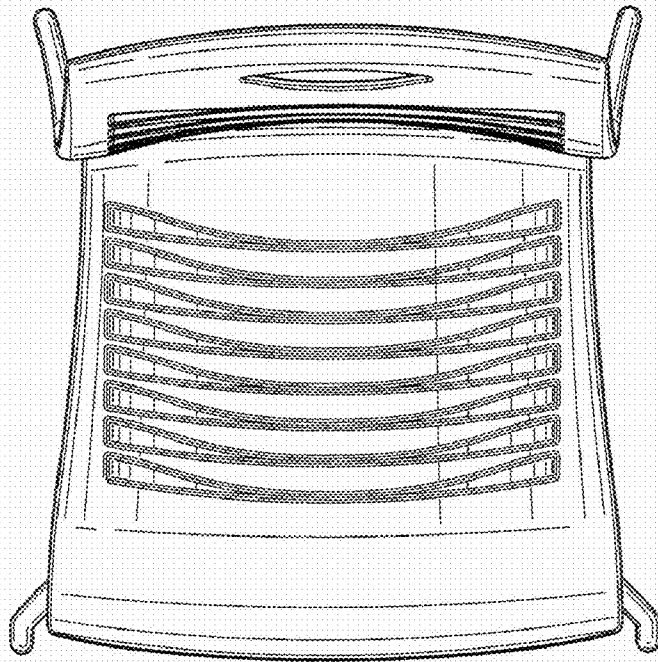


FIG. 7

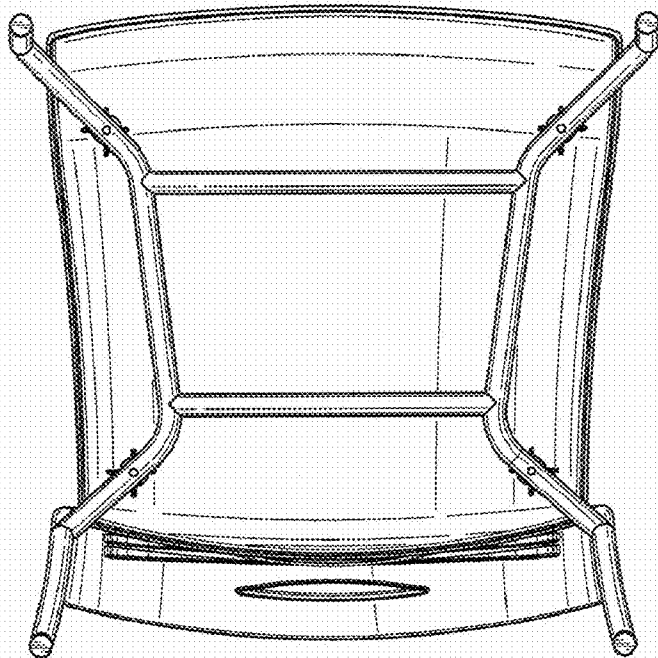


FIG. 8