

(19) World Intellectual Property Organization
International Bureau



(43) International Publication Date
23 March 2006 (23.03.2006)

PCT

(10) International Publication Number
WO 2006/032055 A3

(51) International Patent Classification:
F16B 1/00 (2006.01)

GB, GD, GE, GH, GM, HR, HU, ID, IL, IN, IS, JP, KE, KG, KM, KP, KR, KZ, LC, LK, LR, LS, LT, LU, LV, MA, MD, MG, MK, MN, MW, MX, MZ, NA, NG, NI, NO, NZ, OM, PG, PH, PL, PT, RO, RU, SC, SD, SE, SG, SK, SL, SM, SY, TJ, TM, TN, TR, TT, TZ, UA, UG, US, UZ, VC, VN, YU, ZA, ZM, ZW.

(21) International Application Number:
PCT/US2005/033469

(22) International Filing Date:
13 September 2005 (13.09.2005)

(84) Designated States (unless otherwise indicated, for every kind of regional protection available): ARIPO (BW, GH, GM, KE, LS, MW, MZ, NA, SD, SL, SZ, TZ, UG, ZM, ZW), Eurasian (AM, AZ, BY, KG, KZ, MD, RU, TJ, TM), European (AT, BE, BG, CH, CY, CZ, DE, DK, EE, ES, FI, FR, GB, GR, HU, IE, IS, IT, LT, LU, LV, MC, NL, PL, PT, RO, SE, SI, SK, TR), OAPI (BF, BJ, CF, CG, CI, CM, GA, GN, GQ, GW, ML, MR, NE, SN, TD, TG).

(25) Filing Language: English

(26) Publication Language: English

(30) Priority Data:
10/939,801 13 September 2004 (13.09.2004) US

(71) Applicant (for all designated States except US):
MACLEAN-FOGG COMPANY [US/US]; 1000 Allanson Road, Mundelein, IL 60060 (US).

Declarations under Rule 4.17:

- as to applicant's entitlement to apply for and be granted a patent (Rule 4.17(ii))
- as to the applicant's entitlement to claim the priority of the earlier application (Rule 4.17(iii))

(72) Inventors; and

(75) Inventors/Applicants (for US only): PAZDIREK, Jiri, J. [US/US]; 233 Stockport Lane, Schaumburg, IL 60193 (US). WALLACE, Gareth, A. [US/US]; 12349 S. Meade Avenue, Palos Heights, IL 60643 (US).

Published:

- with international search report
- before the expiration of the time limit for amending the claims and to be republished in the event of receipt of amendments

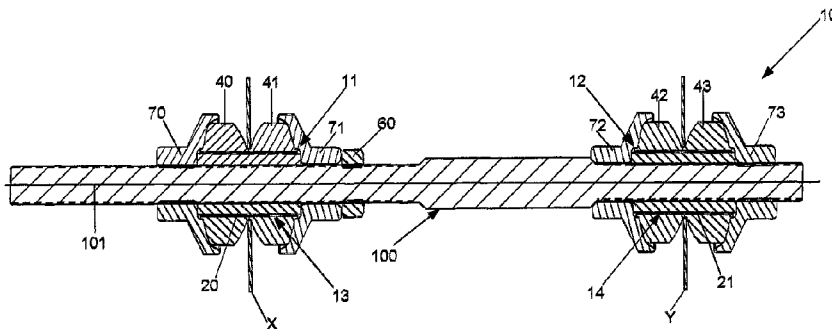
(74) Common Representative: MACLEAN-FOGG COMPANY; 1000 Allanson Road, Mundelein, IL 60060 (US).

(88) Date of publication of the international search report:
27 December 2007

(81) Designated States (unless otherwise indicated, for every kind of national protection available): AE, AG, AL, AM, AT, AU, AZ, BA, BB, BG, BR, BW, BY, BZ, CA, CH, CN, CO, CR, CU, CZ, DE, DK, DM, DZ, EC, EE, EG, ES, FI,

For two-letter codes and other abbreviations, refer to the "Guidance Notes on Codes and Abbreviations" appearing at the beginning of each regular issue of the PCT Gazette.

(54) Title: LINK ASSEMBLY FOR A VEHICULE SUSPENSION SYSTEM



(57) Abstract: A link assembly comprising a shaft provided with a positioning surface that includes threads, an arm coupler including an interfacing assembly and a pair of grommet contacting members, wherein the interfacing assembly includes an interfacing member that receives the positioning surface and inner and outer grommets that are provided with inner surfaces that receive the interfacing member, and the pair of grommet contacting members includes an inner grommet contacting member that receives the positioning surface shaft and contacts the inner grommet and an outer grommet contacting member that receives the positioning surface and contacts the outer grommet.



WO 2006/032055 A3

INTERNATIONAL SEARCH REPORT

International application No.

PCT/US05/33469

A. CLASSIFICATION OF SUBJECT MATTER
 IPC: **B60G 7/00(2006.01),21/055(2006.01);F16B 1/00(2006.01)**

 USPC: 280/124.152,93.502;403/48;411/383,389
 According to International Patent Classification (IPC) or to both national classification and IPC

B. FIELDS SEARCHED
 Minimum documentation searched (classification system followed by classification symbols)
 U.S. : 280/124.152, 93.502,93.51,124.106,124.107; 403/48,47,43; 411/383,384,389

 Documentation searched other than minimum documentation to the extent that such documents are included in the fields searched

Electronic data base consulted during the international search (name of data base and, where practicable, search terms used)
 EAST

C. DOCUMENTS CONSIDERED TO BE RELEVANT

Category *	Citation of document, with indication, where appropriate, of the relevant passages	Relevant to claim No.
X --- Y	US 4,621,831 A (TAKADERA et al) 11 November 1986 (11.11.1986), column 2 line 16 - column 4 line 40, Figs. 1, 2.	1-3, 5, 6 ----- 12-14, 16, 19, 20
X	US 4,664,408 A (SAOTOME et al) 12 May 1987 (12.05.1987), column 2 line 40 - column 5 line 34, Figs. 1-4.	1-6
X --- Y	US 3,024,040 A (MULLER) 06 March 1962 (06.03.1962), column 3 line 38 - column 4 line 67, Fig. 4.	1, 2, 5-7, 9-11 ----- 12-14, 16, 19, 20
X	US 4,066,278 A (TAKAGI) 03 June 1978 (03.06.1978), column 2 line 58 - column 5 line 36, Figs. 1-6.	1-3, 5, 6
X	US 4,369,988 A (TAKAGI) 25 January 1983 (25.01.1983), column 2 line 56 - column 3 line 47, Figs. 1-3.	1-3, 5, 6

Further documents are listed in the continuation of Box C. See patent family annex.

* Special categories of cited documents:	"T"	later document published after the international filing date or priority date and not in conflict with the application but cited to understand the principle or theory underlying the invention
"A" document defining the general state of the art which is not considered to be of particular relevance	"X"	document of particular relevance; the claimed invention cannot be considered novel or cannot be considered to involve an inventive step when the document is taken alone
"E" earlier application or patent published on or after the international filing date	"Y"	document of particular relevance; the claimed invention cannot be considered to involve an inventive step when the document is combined with one or more other such documents, such combination being obvious to a person skilled in the art
"L" document which may throw doubts on priority claim(s) or which is cited to establish the publication date of another citation or other special reason (as specified)	"&"	document member of the same patent family
"O" document referring to an oral disclosure, use, exhibition or other means		
"P" document published prior to the international filing date but later than the priority date claimed		

Date of the actual completion of the international search 18 September 2007 (18.09.2007)	Date of mailing of the international search report 07 NOV 2007
Name and mailing address of the ISA/US Mail Stop PCT, Attn: ISA/US Commissioner for Patents P.O. Box 1450 Alexandria, Virginia 22313-1450 Facsimile No. (571) 273-3201	Authorized officer Paul N. Dickson <i>[Signature]</i> Telephone No. 571-272-5350

INTERNATIONAL SEARCH REPORT

International application No.
PCT/US05/33469

C. (Continuation) DOCUMENTS CONSIDERED TO BE RELEVANT

Category *	Citation of document, with indication, where appropriate, of the relevant passages	Relevant to claim No.
X	US 4,552,379 A (FOSTER) 12 November 1985 (12.11.1985), column 2 line 59 - column 5 line 58, Figs. 1-7.	1, 2, 5, 7, 9, 10
X	US 3,819,202 A (CASTOE) 25 June 1974 (25.06.1974), column 3 line 50 - column 7 line 11, Figs. 1-6.	1, 2, 5, 7, 9, 10
A	US 4,203,615 A (CISLO et al) 20 May 1980 (20.05.1980).	