

(19) World Intellectual Property Organization  
International Bureau



(43) International Publication Date  
17 September 2009 (17.09.2009)

(10) International Publication Number  
**WO 2009/114300 A3**

(51) International Patent Classification:  
*B60B 1/00* (2006.01)

(21) International Application Number:  
PCT/US2009/035615

(22) International Filing Date:  
28 February 2009 (28.02.2009)

(25) Filing Language: English

(26) Publication Language: English

(30) Priority Data:  
61/034,875 7 March 2008 (07.03.2008) US  
12/394,410 27 February 2009 (27.02.2009) US

(71) Applicant and

(72) Inventor: **BALLARD, Claudio, R.** [US/US]; 16 West Neck Court, Huntington, NY 11783 (US).

(74) Agent: **ARNOTT, John, J.**; Howison & Arnott, L.L.P., P.O. Box 741715, Dallas, TX 75374-1715 (US).

(81) Designated States (unless otherwise indicated, for every kind of national protection available): AE, AG, AL, AM, AO, AT, AU, AZ, BA, BB, BG, BH, BR, BW, BY, BZ, CA, CH, CN, CO, CR, CU, CZ, DE, DK, DM, DO, DZ,

EC, EE, EG, ES, FI, GB, GD, GE, GH, GM, GT, HN, HR, HU, ID, IL, IN, IS, JP, KE, KG, KM, KN, KP, KR, KZ, LA, LC, LK, LR, LS, LT, LU, LY, MA, MD, ME, MG, MK, MN, MW, MX, MY, MZ, NA, NG, NI, NO, NZ, OM, PG, PH, PL, PT, RO, RS, RU, SC, SD, SE, SG, SK, SL, SM, ST, SV, SY, TJ, TM, TN, TR, TT, TZ, UA, UG, US, UZ, VC, VN, ZA, ZM, ZW.

(84) Designated States (unless otherwise indicated, for every kind of regional protection available): ARIPO (BW, GH, GM, KE, LS, MW, MZ, NA, SD, SL, SZ, TZ, UG, ZM, ZW), Eurasian (AM, AZ, BY, KG, KZ, MD, RU, TJ, TM), European (AT, BE, BG, CH, CY, CZ, DE, DK, EE, ES, FI, FR, GB, GR, HR, HU, IE, IS, IT, LT, LU, LV, MC, MK, MT, NL, NO, PL, PT, RO, SE, SI, SK, TR), OAPI (BF, BJ, CF, CG, CI, CM, GA, GN, GQ, GW, ML, MR, NE, SN, TD, TG).

**Declarations under Rule 4.17:**

— of inventorship (Rule 4.17(iv))

**Published:**

— with international search report (Art. 21(3))

(88) Date of publication of the international search report:  
30 December 2009

(54) Title: LOCKING HUB CAP FOR WHEEL HUB ASSEMBLY

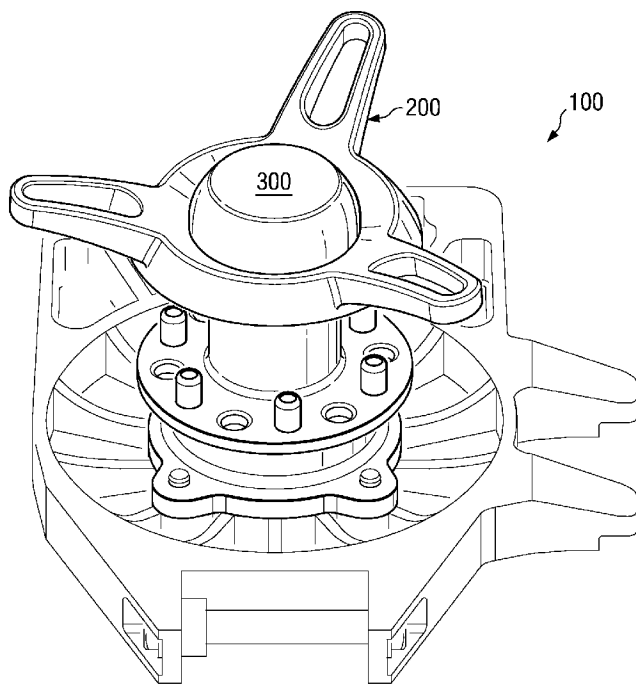


FIG. 3

(57) Abstract: The present disclosure provides a locking hub cap having at least one locking feature that engages at least one locking feature on a vehicle hub assembly to prevent a spin-on nut from being removed while the locking hub cap is in place.



WO 2009/114300 A3

**INTERNATIONAL SEARCH REPORT**

International application No.

PCT/US 09/35615

**A. CLASSIFICATION OF SUBJECT MATTER**

IPC(8) - B60B 1/00, 25/00 (2009.01)

USPC - 301/35.622

According to International Patent Classification (IPC) or to both national classification and IPC

**B. FIELDS SEARCHED**

Minimum documentation searched (classification system followed by classification symbols)

IPC(8): B60B 1/00,25/00 (2009.01)

USPC: 301/35.622

Documentation searched other than minimum documentation to the extent that such documents are included in the fields searched

USPC: 301/9.2, 10.1, 11.1, 11.2, 111.01, 114, 35.63, 35.627

Electronic data base consulted during the international search (name of data base and, where practicable, search terms used)

PubWest (PGPB, USPT, EAPB, JPAB); google: lock, key, secure, shaft, bar cylinder, handle, pole, stem, spindle, base, bearing, wheel, hub, assembly, vehicle, car, truck, spinner.

**C. DOCUMENTS CONSIDERED TO BE RELEVANT**

Category*	Citation of document, with indication, where appropriate, of the relevant passages	Relevant to claim No.
X	US 6,116,700 A (Herrera) 12 September 2000 (12.09.2000) (Entire document, especially Figs. 4, 6, 30; col. 2)	1-20
A	US 3,351,364 A (Warn et al.) 07 November 1967 (07.11.1967) (Figs. 1, 2)	1-20
A	US 4,825,669 A (Herrera) 02 May 1989 (02.05.1989)	1-20
A	US 4,591,211 A (Browning et al.) 27 May 1986 (27.05.1986)	1-20
A	US 5,431,485 A (Hayashi) 11 July 1995 (11.07.1995)	1-20

Further documents are listed in the continuation of Box C.

* Special categories of cited documents:	"T" later document published after the international filing date or priority date and not in conflict with the application but cited to understand the principle or theory underlying the invention
"A" document defining the general state of the art which is not considered to be of particular relevance	"X" document of particular relevance; the claimed invention cannot be considered novel or cannot be considered to involve an inventive step when the document is taken alone
"E" earlier application or patent but published on or after the international filing date	"Y" document of particular relevance; the claimed invention cannot be considered to involve an inventive step when the document is combined with one or more other such documents, such combination being obvious to a person skilled in the art
"L" document which may throw doubts on priority claim(s) or which is cited to establish the publication date of another citation or other special reason (as specified)	"&" document member of the same patent family
"O" document referring to an oral disclosure, use, exhibition or other means	
"P" document published prior to the international filing date but later than the priority date claimed	

Date of the actual completion of the international search 14 July 2009 (14.07.2009)	Date of mailing of the international search report <b>17 AUG 2009</b>
--	--

Name and mailing address of the ISA/US Mail Stop PCT, Attn: ISA/US, Commissioner for Patents P.O. Box 1450, Alexandria, Virginia 22313-1450 Facsimile No. 571-273-3201	Authorized officer: Lee W. Young  PCT Helpdesk: 571-272-4300 PCT OSP: 571-272-7774
---	--