

(19) World Intellectual Property Organization
International Bureau



(43) International Publication Date
4 September 2003 (04.09.2003)

PCT

(10) International Publication Number
WO 2003/072160 A3

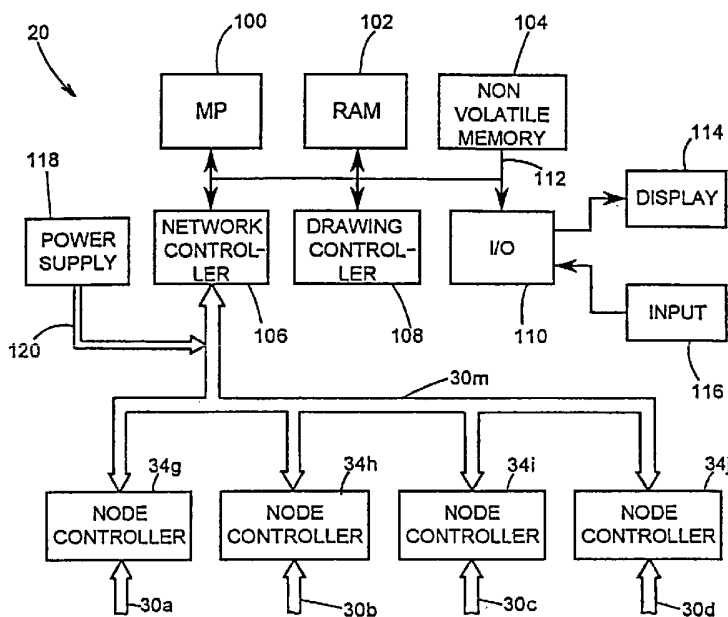
- (51) International Patent Classification⁷: **G05B 23/02**
- (21) International Application Number: PCT/US2003/003415
- (22) International Filing Date: 4 February 2003 (04.02.2003)
- (25) Filing Language: English
- (26) Publication Language: English
- (30) Priority Data: 10/078,493 21 February 2002 (21.02.2002) US
- (71) Applicant: **TERUMO CARDIOVASCULAR SYSTEMS CORPORATION** [US/US]; 6200 Jackson Road, Ann Arbor, MI 48103 (US).
- (72) Inventors: **WILLEMS, Richard, M.**; 525 3rd Avenue South, S. St. Paul, MN 55075 (US). **NAZARIAN, Richard, A.**; 7540 Manner Point, Maple Grove, MN 55311 (US). **WATTS, James, R.**; 1866 S. Mason Road, St. Louis, MO 63131 (US).
- (74) Agent: **WEINSTEIN, Wendi, L.**; Burns, Doane, Swecker & Mathis, L.L.P., P.O. Box 1404, Alexandria, VA 22313-1404 (US).
- (81) Designated States (*national*): AE, AG, AL, AM, AT, AU, AZ, BA, BB, BG, BR, BY, BZ, CA, CH, CN, CO, CR, CU, CZ, DE, DK, DM, DZ, EC, EE, ES, FI, GB, GD, GE, GH, GM, HR, HU, ID, IL, IN, IS, JP, KE, KG, KP, KR, KZ, LC, LK, LR, LS, LT, LU, LV, MA, MD, MG, MK, MN, MW, MX, MZ, NO, NZ, OM, PH, PL, PT, RO, RU, SC, SD, SE, SG, SK, SL, TJ, TM, TN, TR, TT, TZ, UA, UG, UZ, VC, VN, YU, ZA, ZM, ZW.
- (84) Designated States (*regional*): ARIPO patent (GH, GM, KE, LS, MW, MZ, SD, SL, SZ, TZ, UG, ZM, ZW), Eurasian patent (AM, AZ, BY, KG, KZ, MD, RU, TJ, TM), European patent (AT, BE, BG, CH, CY, CZ, DE, DK, EE, ES, FI, FR, GB, GR, HU, IE, IT, LU, MC, NL, PT, SE, SI, SK, TR), OAPI patent (BF, BJ, CF, CG, CI, CM, GA, GN, GQ, GW, ML, MR, NE, SN, TD, TG).

Declarations under Rule 4.17:

— as to applicant's entitlement to apply for and be granted a patent (Rule 4.17(ii)) for the following designations AE, AG, AL, AM, AT, AU, AZ, BA, BB, BG, BR, BY, BZ, CA, CH, CN, CO, CR, CU, CZ, DE, DK, DM, DZ, EC, EE, ES, FI,

[Continued on next page]

(54) Title: NETWORK COMMUNICATION AND MESSAGE PROTOCOL FOR A MEDICAL PERFUSION SYSTEM



(57) Abstract: A network communication and messaging protocol for use in a medical perfusion system, provides the rules which govern how, among other things, information and data is conveyed between the various devices which are connect to the network. The rules define the different types of messages that are used in conveying information and data, as well as the formatting for each of those message types. The various messages provide the ability to configure the perfusion system devices, establish links between the perfusion system devices, and convey various types of information and data, even when the main network controller is unavailable.

WO 2003/072160 A3



- GB, GD, GE, GH, GM, HR, HU, ID, IL, IN, IS, JP, KE, KG, KP, KR, KZ, LC, LK, LR, LS, LT, LU, LV, MA, MD, MG, MK, MN, MW, MX, MZ, NO, NZ, OM, PH, PL, PT, RO, RU, SC, SD, SE, SG, SK, SL, TJ, TM, TN, TR, TT, TZ, UA, UG, UZ, VC, VN, YU, ZA, ZM, ZW, ARIPO patent (GH, GM, KE, LS, MW, MZ, SD, SL, SZ, TZ, UG, ZM, ZW), Eurasian patent (AM, AZ, BY, KG, KZ, MD, RU, TJ, TM), European patent (AT, BE, BG, CH, CY, CZ, DE, DK, EE, ES, FI, FR, GB, GR, HU, IE, IT, LU, MC, NL, PT, SE, SI, SK, TR), OAPI patent (BF, BJ, CF, CG, CI, CM, GA, GN, GQ, GW, ML, MR, NE, SN, TD, TG)
- as to the applicant's entitlement to claim the priority of the earlier application (Rule 4.17(iii)) for all designations

Published:

- with international search report
— before the expiration of the time limit for amending the claims and to be republished in the event of receipt of amendments

(88) Date of publication of the international search report:

22 July 2004

For two-letter codes and other abbreviations, refer to the "Guidance Notes on Codes and Abbreviations" appearing at the beginning of each regular issue of the PCT Gazette.

INTERNATIONAL SEARCH REPORT

International application No.

PCT/US03/03415

A. CLASSIFICATION OF SUBJECT MATTER		
IPC(7) : G05B 23/02 US CL : 340/3.5, 340/3.51, According to International Patent Classification (IPC) or to both national classification and IPC		
B. FIELDS SEARCHED		
Minimum documentation searched (classification system followed by classification symbols) U.S. : 340/3.5, 340/825.52, 417/4, 417/5,600/118, 604/7, 604/8, 604/131, 604/65		
Documentation searched other than minimum documentation to the extent that such documents are included in the fields searched		
Electronic data base consulted during the international search (name of data base and, where practicable, search terms used) EAST, perfusion system, perfusion devices		
C. DOCUMENTS CONSIDERED TO BE RELEVANT		
Category *	Citation of document, with indication, where appropriate, of the relevant passages	Relevant to claim No.
Y	US 4,769,001 A (PRINCE) 06 September 1988 (0.09.1988), Column 3 line 28-column 6 line 10	1-43
Y	US 5,609,560 A (ICHIKAWA et al.) 11 March 1997 (11.03.1997), Column 3 line 40-column 4 line 65	1-43
Y	US 6,259,355 B1 (CHACO et al.) 10 July 2001 (10.07.2001), Column 14 line 58-column 15 line 10	2-4,10-11
<input type="checkbox"/> Further documents are listed in the continuation of Box C.		<input type="checkbox"/> See patent family annex.
* Special categories of cited documents: "A" document defining the general state of the art which is not considered to be of particular relevance "E" earlier application or patent published on or after the international filing date "L" document which may throw doubts on priority claim(s) or which is cited to establish the publication date of another citation or other special reason (as specified) "O" document referring to an oral disclosure, use, exhibition or other means "P" document published prior to the international filing date but later than the priority date claimed		"T" later document published after the international filing date or priority date and not in conflict with the application but cited to understand the principle or theory underlying the invention "X" document of particular relevance; the claimed invention cannot be considered novel or cannot be considered to involve an inventive step when the document is taken alone "Y" document of particular relevance; the claimed invention cannot be considered to involve an inventive step when the document is combined with one or more other such documents, such combination being obvious to a person skilled in the art "&" document member of the same patent family
Date of the actual completion of the international search 05 May 2004 (05.05.2004)		Date of mailing of the international search report 24 MAY 2004
Name and mailing address of the ISA/US Mail Stop PCT, Attn: ISA/US Commissioner for Patents P.O. Box 1450 Alexandria, Virginia 22313-1450 Facsimile No. (703)305-3230		Authorized officer Michael Horabik Telephone No. 703-805-4750 <i>Karen L. Ward</i>