



US00D358696S

# United States Patent [19]

[11] Patent Number: Des. 358,696

Mims

[45] Date of Patent: \*\* May 23, 1995

[54] **VEHICLE-MOUNTED GAME ANIMAL SUPPORT**

*Assistant Examiner*—Robin V. Taylor  
*Attorney, Agent, or Firm*—Veal & Marsh

[76] Inventor: Dale P. Mims, 112 S. Deerborn St.,  
Mobile, Ala. 36602

[57] **CLAIM**

The ornamental design for the vehicle-mounted game animal support, design as shown and described.

[\*\*] Term: 14 Years

### DESCRIPTION

[21] Appl. No.: 17,955

[22] Filed: Jan. 27, 1994

[52] U.S. Cl. .... D34/28

[58] Field of Search ..... D34/28, 33, 34, 35;  
254/325, 266; 452/187, 189

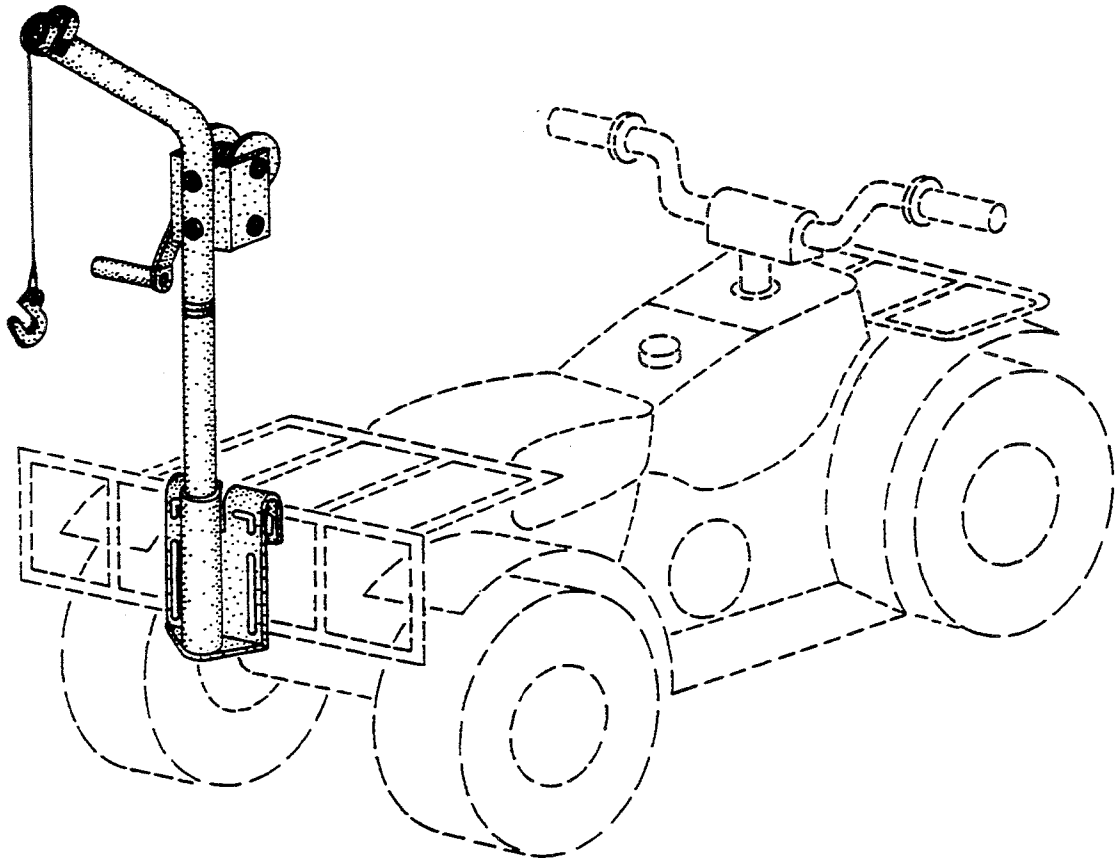
FIG. 1 is a front perspective view of a vehicle-mounted game animal support showing my new design;  
FIG. 2 is a rear perspective view thereof;  
FIG. 3 is a rear elevational view thereof;  
FIG. 4 is front elevational view thereof;  
FIG. 5 is a side elevational view as seen from the left side of FIG. 3;  
FIG. 6 is a side elevational view as seen from the right side of FIG. 3;  
FIG. 7 is a top plan view thereof;  
FIG. 8 is a bottom view thereof; and,  
FIG. 9 is a perspective view of the present invention mounted on a vehicle which is shown in broken lines forming no part of the claimed design.

[56] **References Cited**

### U.S. PATENT DOCUMENTS

|            |         |                 |       |         |
|------------|---------|-----------------|-------|---------|
| D. 268,448 | 3/1983  | Callahan et al. | ..... | D34/33  |
| D. 341,242 | 11/1993 | Thorby          | ..... | D34/28  |
| 4,338,703  | 7/1982  | Tanner          | ..... | 254/325 |
| 4,806,063  | 2/1989  | York            | ..... | 452/189 |
| 5,049,110  | 9/1991  | Owens           | ..... | 452/189 |

*Primary Examiner*—Brian N. Vinson



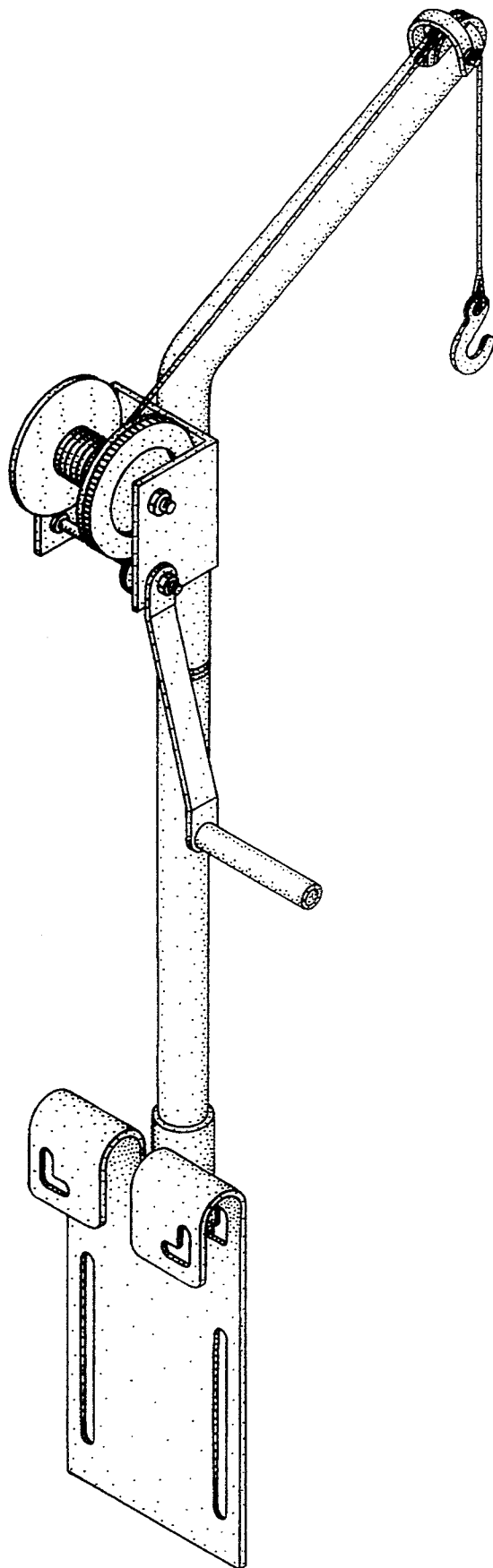


FIG 1

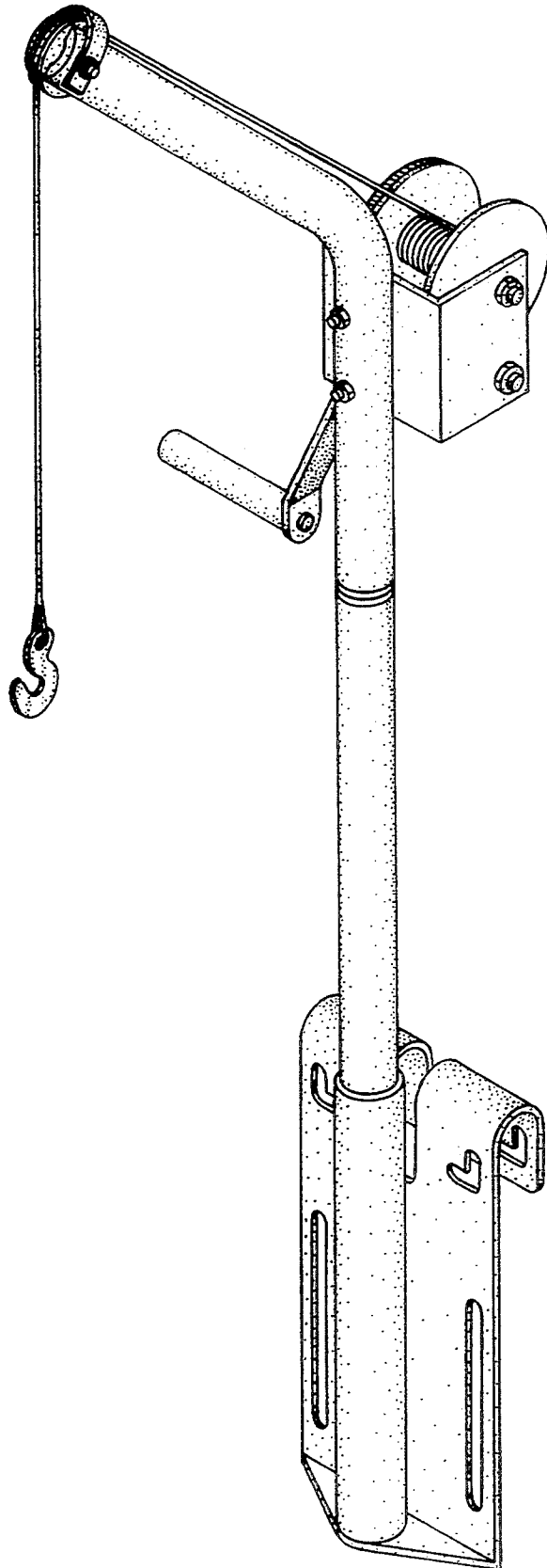


FIG. 2

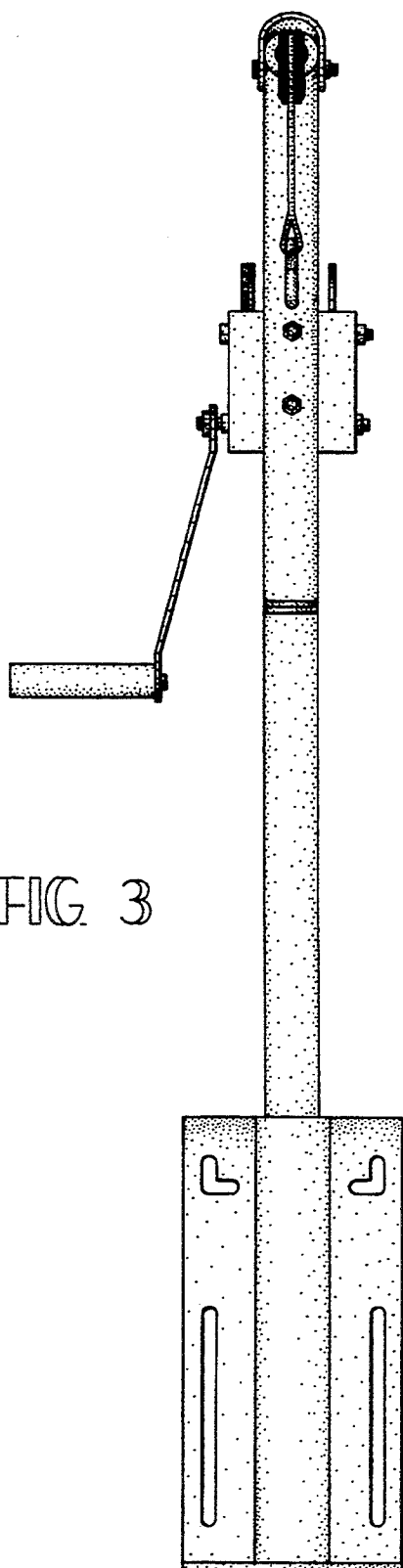


FIG. 3

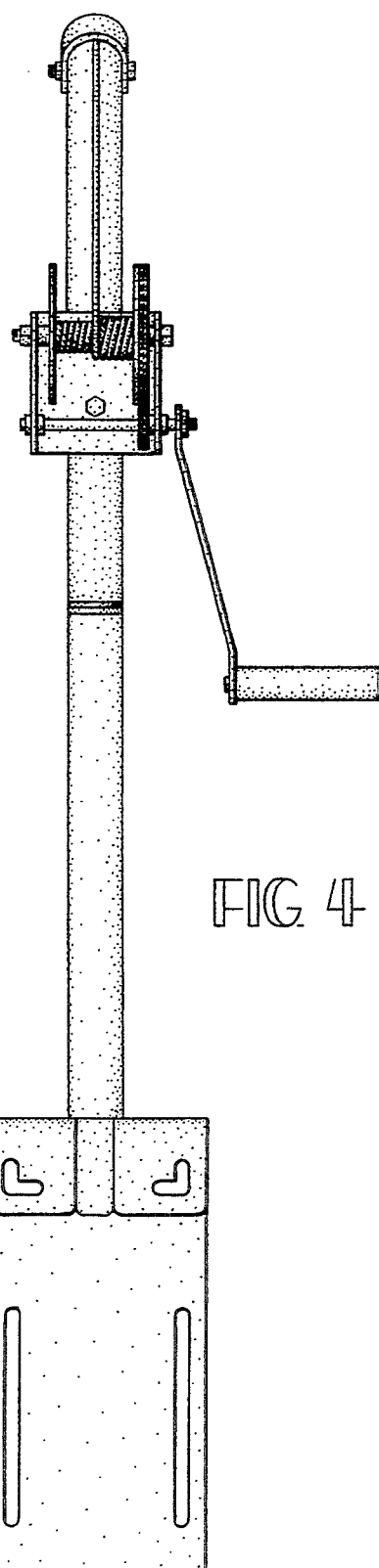


FIG. 4

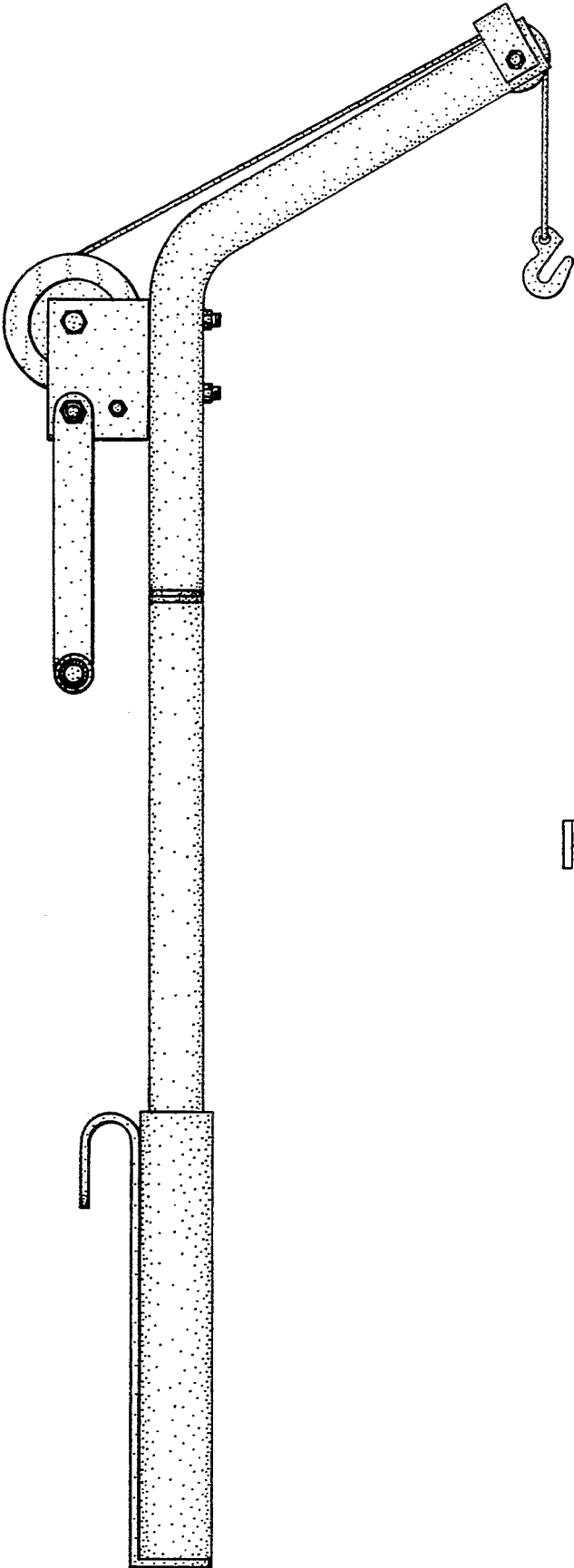


FIG 5

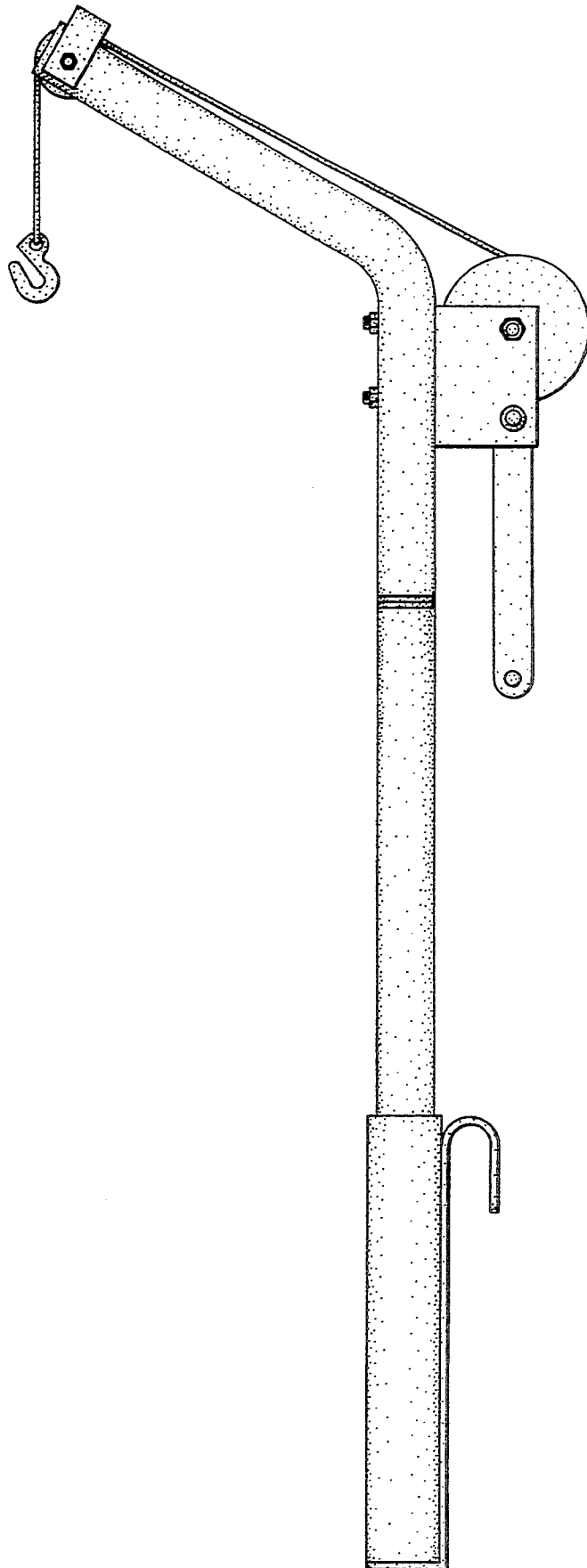


FIG. 6

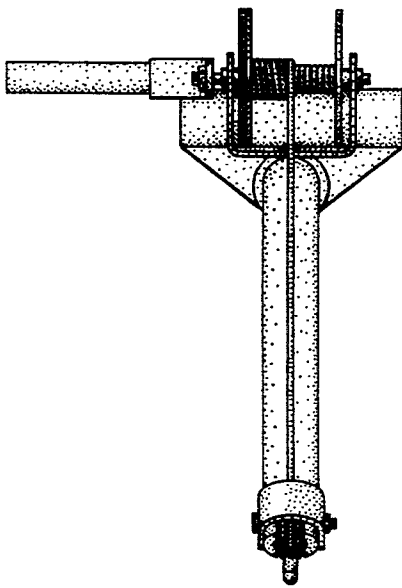


FIG. 7

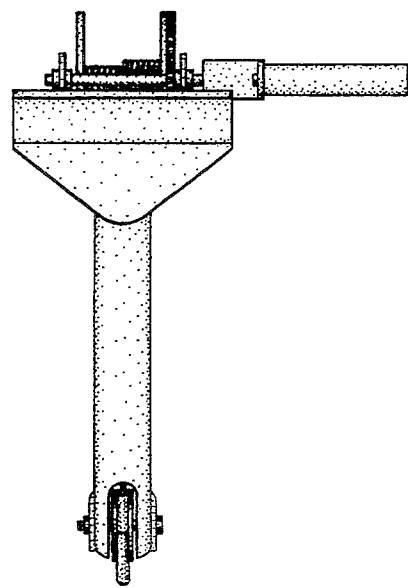


FIG. 8

FIG. 9

