



US00D402426S

United States Patent [19]

[11] Patent Number: **Des. 402,426**

Levine et al.

[45] Date of Patent: ****Dec. 8, 1998**

[54] **COMBINED HOUSING FOR A PET LEASH AND FLASHLIGHT**

2,314,504	3/1943	Lifchultz	119/796
3,853,283	12/1974	Croce et al.	119/796
5,377,626	1/1995	Kilsby et al.	119/796
5,429,075	7/1995	Passarella et al.	119/795
5,441,017	8/1995	Lindsay	119/795
5,558,044	9/1996	Nasser, Jr. et al.	119/796

[75] Inventors: **Anthony Harris Levine**, 22250 Miston Dr., Woodland Hills, Calif. 91364; **Frank Thomas Brown**, Redondo Beach, Calif.

FOREIGN PATENT DOCUMENTS

[73] Assignee: **Anthony Harris Levine**, Woodland Hills, Calif.

96445	11/1983	European Pat. Off.	119/796
8201744	11/1982	Netherlands	119/796

[**] Term: **14 Years**

Primary Examiner—Cathy Anne MacCormac
Attorney, Agent, or Firm—Lewis Anten, Esq.; Amedeo Ferraro, Esq.

[21] Appl. No.: **71,548**

[57] **CLAIM**

[22] Filed: **Jun. 2, 1997**

The ornamental design for a combined housing for a pet leash and flashlight, as shown.

Related U.S. Application Data

DESCRIPTION

[62] Division of Ser. No. 42,300, Aug. 7, 1995, Pat. No. Des. 379,689.

FIG. 1 is a left side perspective view of a combined housing for a pet leash and flashlight showing our new design with the door shown in open position;
FIG. 2 is a left side elevational view thereof showing the door in closed position;
FIG. 3 is a right side elevational view thereof;
FIG. 4 is a front view thereof;
FIG. 5 is a rear view thereof;
FIG. 6 is a top plan view thereof; and,
FIG. 7 is a bottom plan view thereof.

[51] **LOC (6) Cl.** **30-09**

[52] **U.S. Cl.** **D30/153**; 362/109

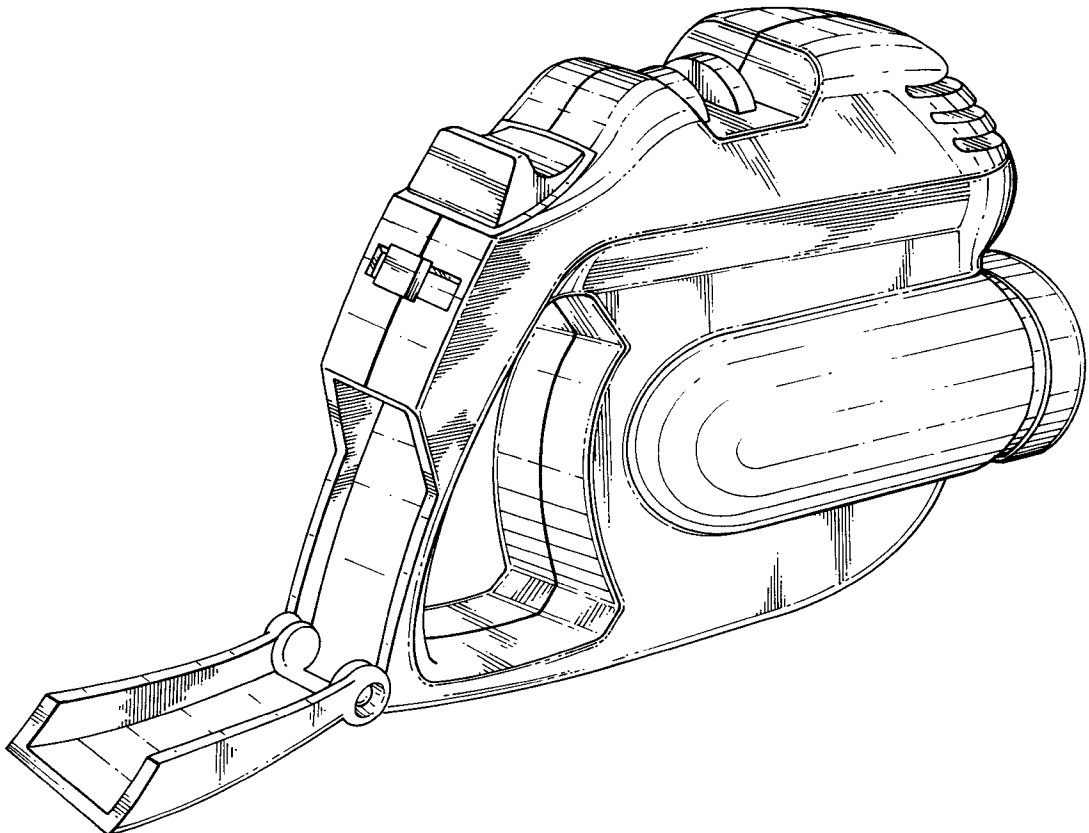
[58] **Field of Search** D30/153; 119/794-796; 362/109, 119; D26/37-38, 41, 46

[56] **References Cited**

U.S. PATENT DOCUMENTS

D. 235,026	4/1975	Bogdahn	D30/153
D. 351,264	10/1994	Stout	D30/153
D. 376,215	12/1996	Gomm et al.	D30/153

1 Claim, 5 Drawing Sheets



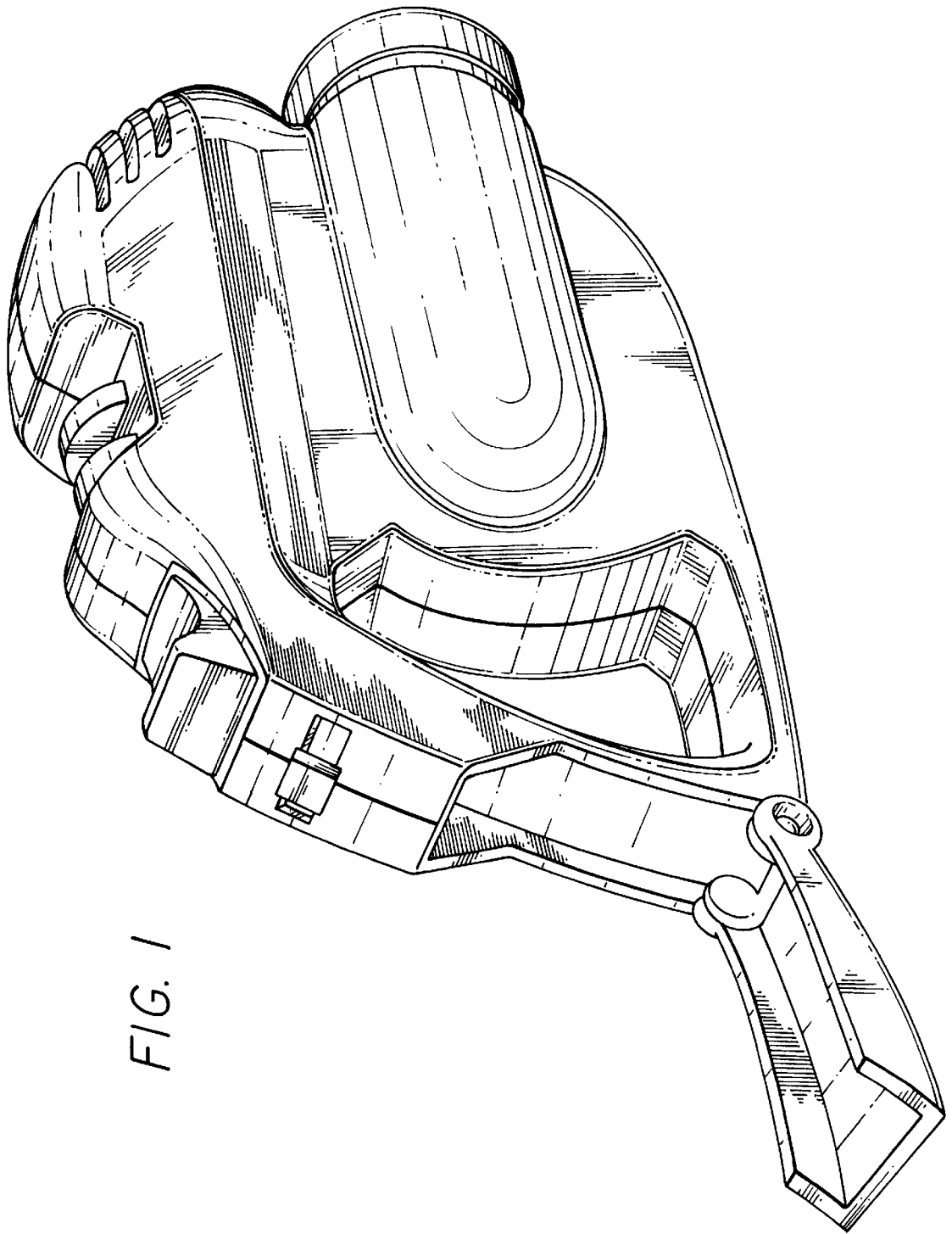


FIG. 1

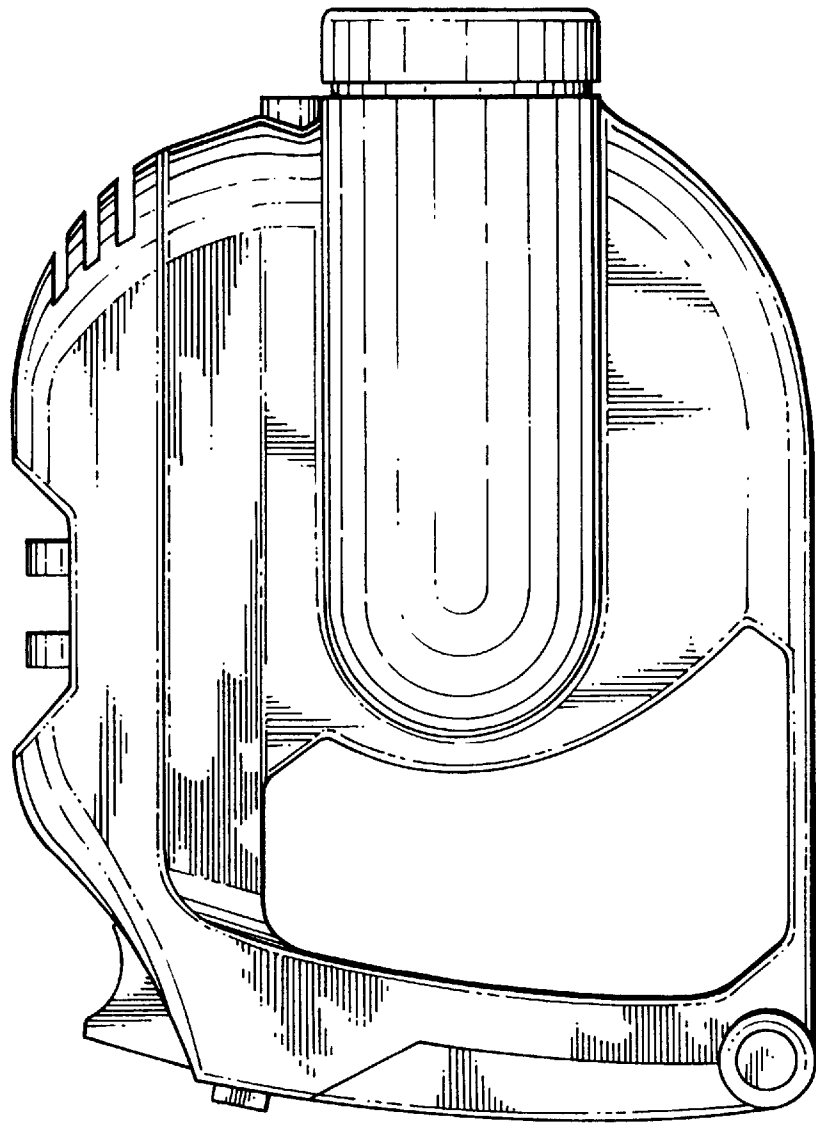
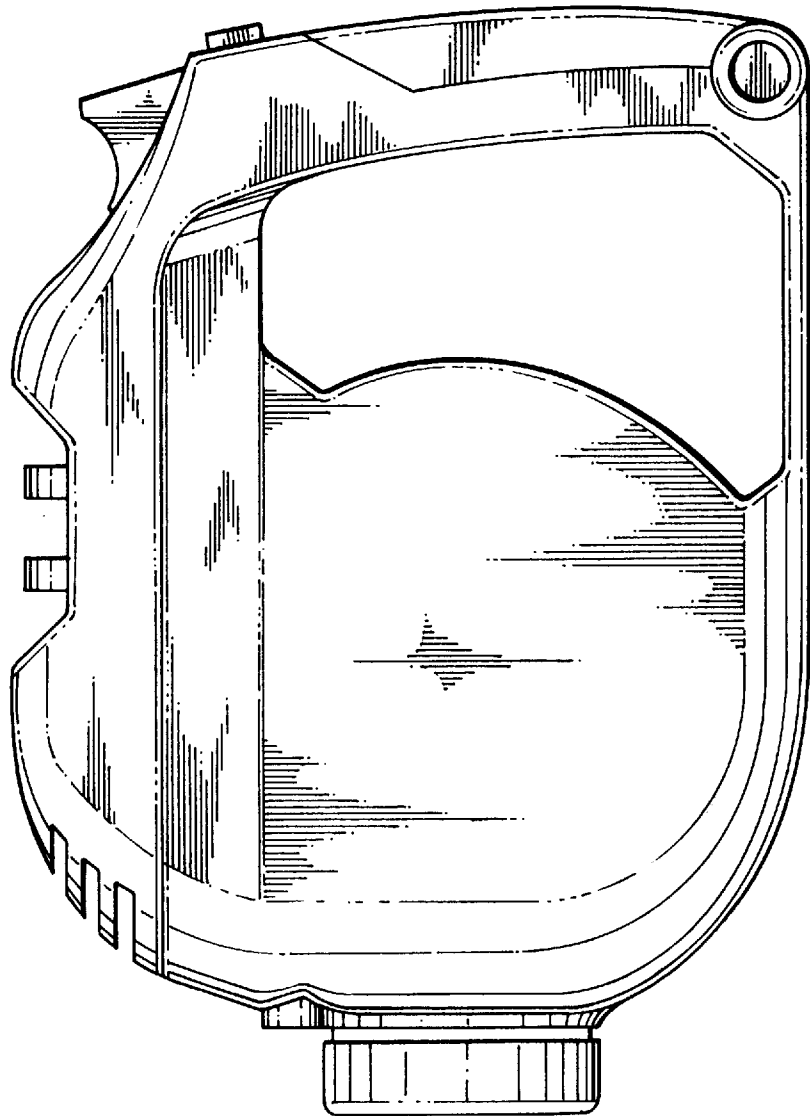


FIG. 2

FIG. 3



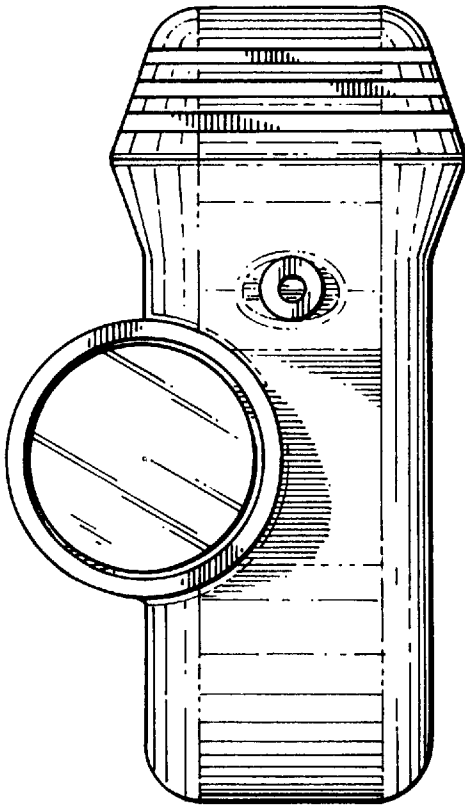


FIG. 4

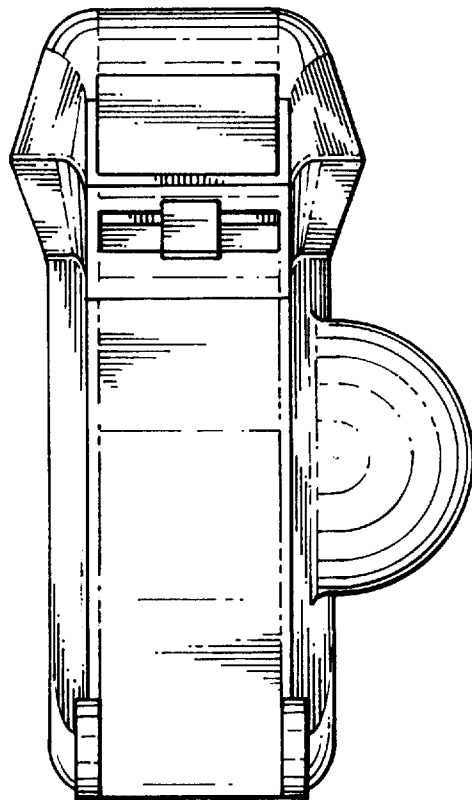


FIG. 5

FIG. 6

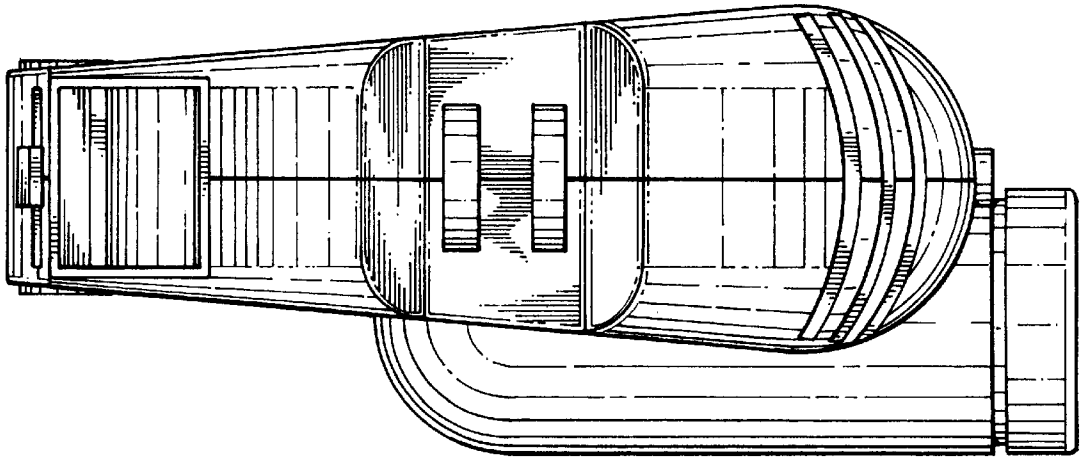


FIG. 7

