



US00D726980S

(12) **United States Design Patent**
Kim et al.

(10) **Patent No.:** **US D726,980 S**

(45) **Date of Patent:** **** Apr. 14, 2015**

(54) **ELECTRIC VACUUM CLEANER**
(71) Applicant: **LG Electronics Inc.**, Seoul (KR)
(72) Inventors: **Hyosung Kim**, Seoul (KR); **Jaehun Chung**, Seoul (KR); **Seunghyun Song**, Bucheon-si (KR); **Seonil Yu**, Anyang-si (KR)

(73) Assignee: **LG Electronics Inc.**, Seoul (KR)

(**) Term: **14 Years**

(21) Appl. No.: **29/466,382**

(22) Filed: **Sep. 6, 2013**

(30) **Foreign Application Priority Data**

Mar. 7, 2013 (KR) 30-2013-0011707

(51) **LOC (10) Cl.** **15-05**

(52) **U.S. Cl.**
USPC **D32/22**

(58) **Field of Classification Search**
USPC D32/15-16, 18-21, 22, 30-34; D15/18; D12/111, 114; 15/410-412, 246.2, 15/320, 329, 344, 350, 347, DIG. 10, 349, 15/351-353, 340.2, 361, 362; 55/DIG. 3, 55/323, 337, 429; D8/68-69
See application file for complete search history.

(56) **References Cited**

U.S. PATENT DOCUMENTS

D462,813 S * 9/2002 Nakano et al. D32/22
D532,944 S * 11/2006 Choi D32/22
D537,584 S * 2/2007 Greene et al. D32/22
D587,870 S * 3/2009 Baek et al. D32/22

D588,760 S * 3/2009 Chun et al. D32/22
D607,160 S * 12/2009 Yu et al. D32/22
D610,317 S * 2/2010 Lee et al. D32/22
D610,318 S * 2/2010 Shin D32/22
D633,264 S * 2/2011 Lee D32/22
D652,589 S * 1/2012 Lee D32/22
D659,313 S * 5/2012 Shin et al. D32/22
D666,368 S * 8/2012 Ghim et al. D32/22
D671,697 S * 11/2012 Kim et al. D32/22
D684,326 S * 6/2013 Okabe et al. D32/22
8,713,752 B2 * 5/2014 Kang 15/352
2011/0219578 A1 * 9/2011 Liu et al. 15/350
2012/0131760 A1 * 5/2012 Louis et al. 15/320
2014/0082883 A1 * 3/2014 Tran 15/353

* cited by examiner

Primary Examiner — Ruth McInroy
(74) *Attorney, Agent, or Firm* — Birch, Stewart, Kolasch & Birch, LLP

(57) **CLAIM**
The ornamental design for an electric vacuum cleaner, as shown and described.

DESCRIPTION

FIG. 1 is a perspective view of an electric vacuum cleaner showing our new design;
FIG. 2 is a front view thereof;
FIG. 3 is a rear view thereof;
FIG. 4 is a left side view thereof;
FIG. 5 is a right side view thereof;
FIG. 6 is a top plan view thereof;
FIG. 7 is a bottom plan view thereof; and,
FIG. 8 is a perspective view thereof in a detached position.
The broken lines shown are included for the purpose of illustrating the unclaimed portions of the article and form no part of the claim.

1 Claim, 7 Drawing Sheets

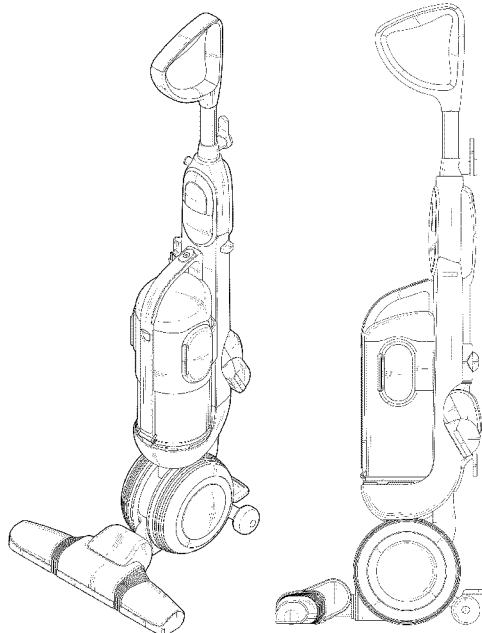


FIG. 1

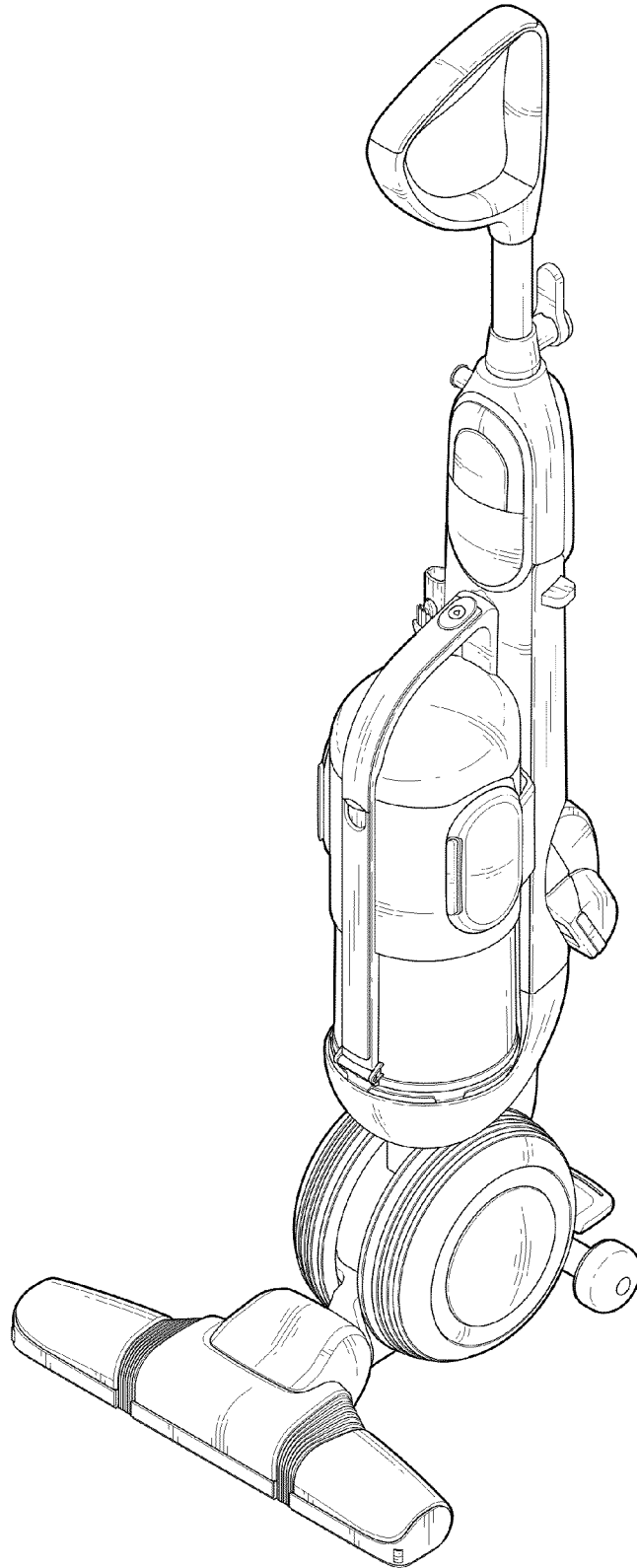


FIG. 2

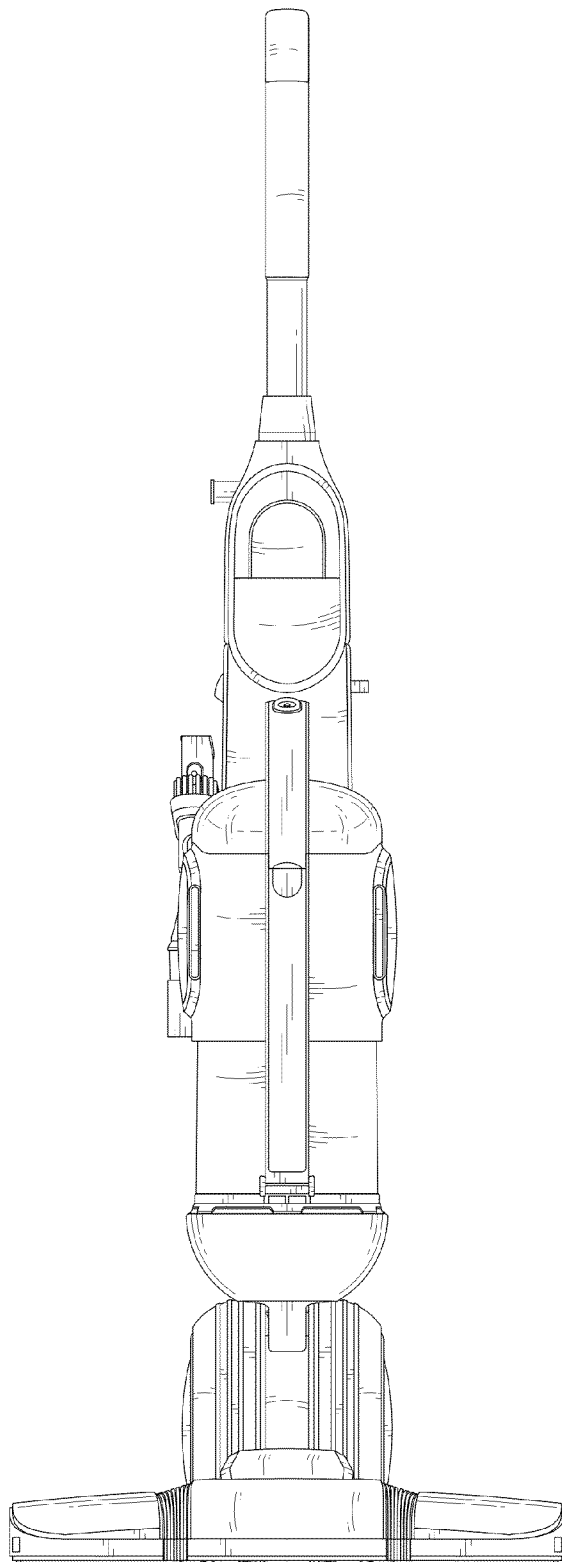


FIG. 3

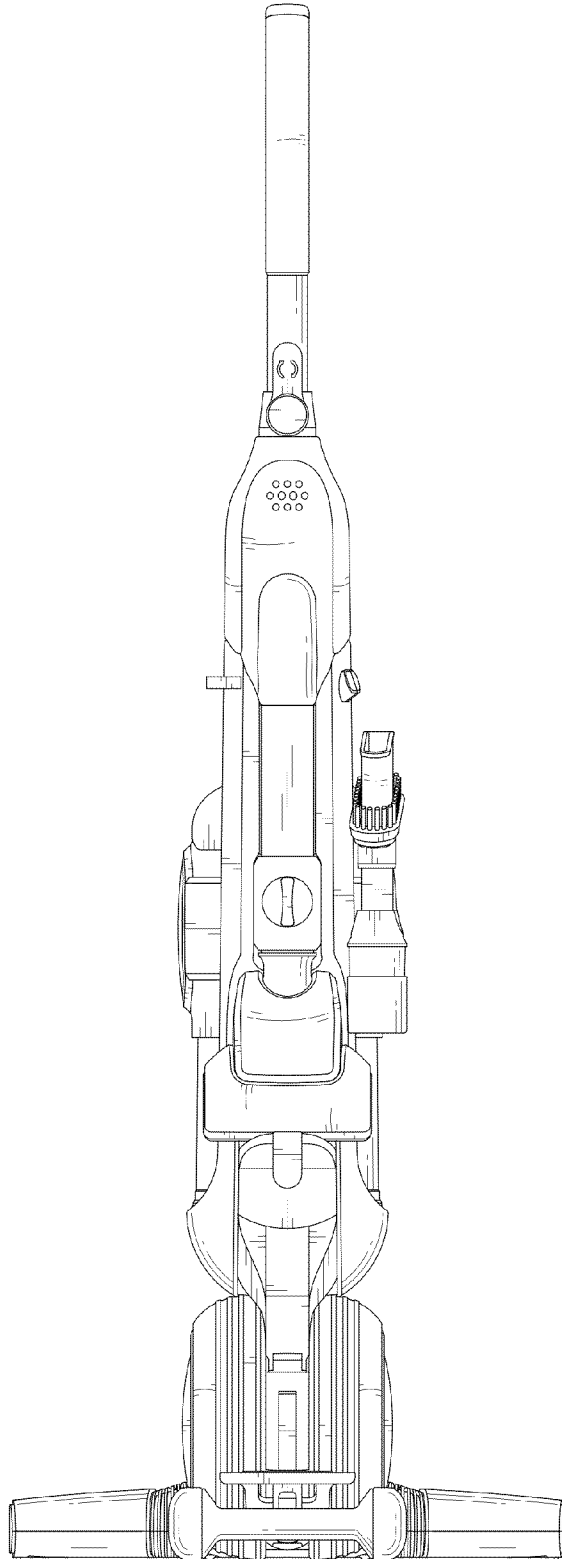


FIG. 4

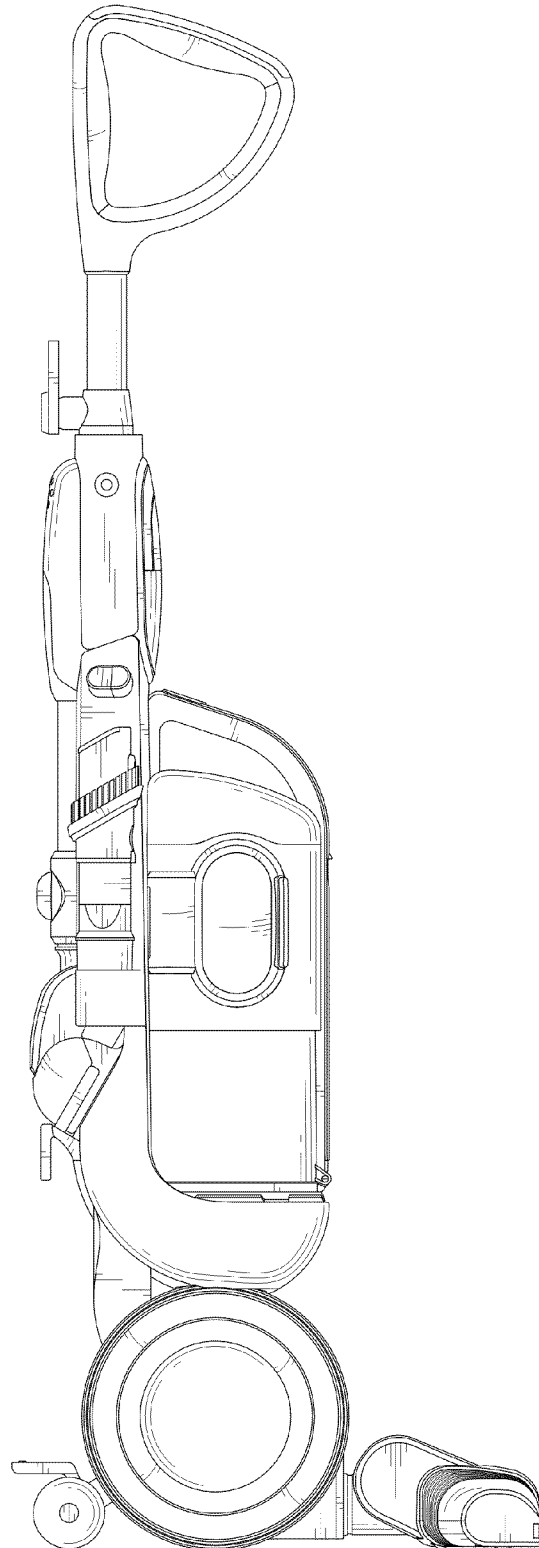


FIG. 5

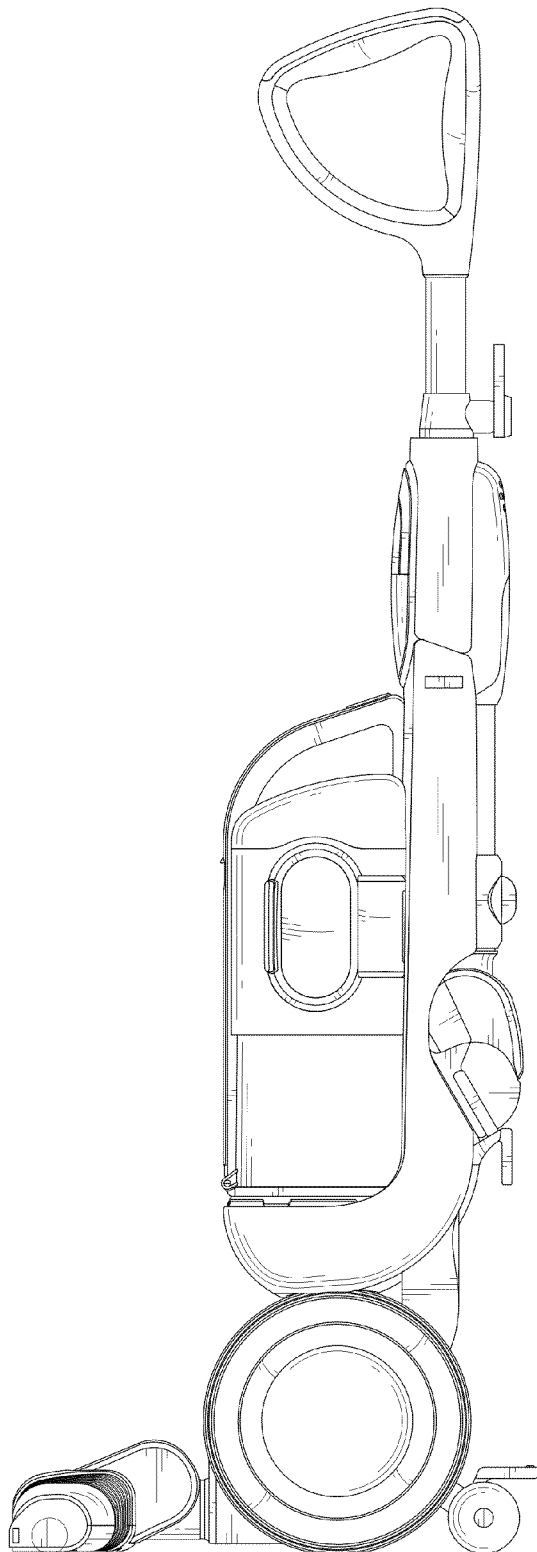


FIG. 6

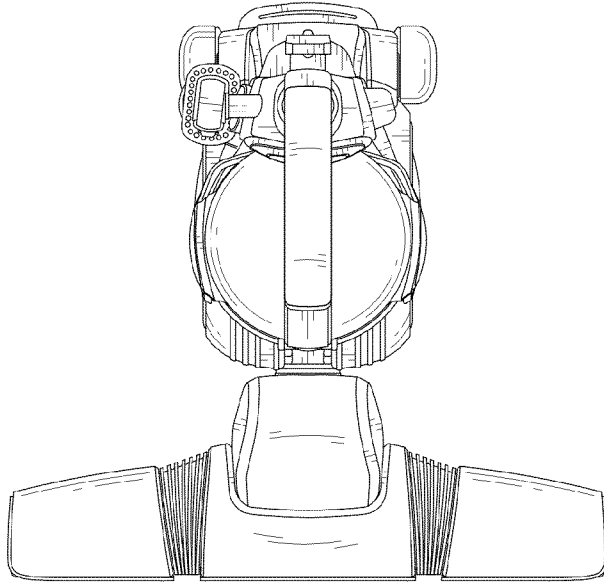


FIG. 7

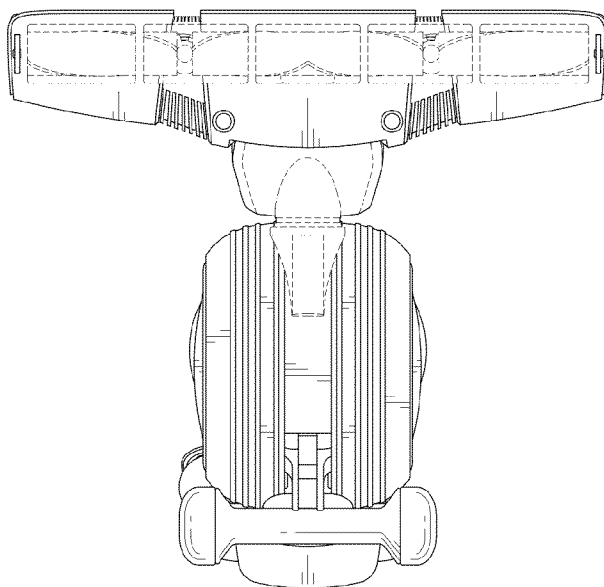


FIG. 8

