

United States Patent [19]

Johansson

[11] Patent Number: Des. 313,465

[45] Date of Patent: ** Jan. 1, 1991

[54] **COMBINED SHOWER AND BATHTUB**

[76] Inventor: **Hans A. V. Johansson**, Farstorp, Eslöv, Sweden, S-241 00

[**] Term: **14 Years**

[21] Appl. No.: **100,941**

[22] Filed: **Sep. 25, 1987**

[30] **Foreign Application Priority Data**

Mar. 30, 1987 [SE] Sweden 1987-0713

[52] U.S. Cl. **D23/282**

[58] Field of Search D23/270-283, D23/303-307; D24/38, 39; 4/513, 538-544, 546, 559, 571-579, 584, 589, 590

[56] **References Cited**

U.S. PATENT DOCUMENTS

D. 247,044 1/1978 Johansson D23/282 X
D. 273,700 5/1984 Parker D23/282
2,566,495 9/1951 Miyakawa 4/590
3,174,160 3/1965 Fielding 4/540

3,366,978 2/1968 Jones 4/540
3,827,087 8/1974 Cuthbertson 4/540
3,924,278 12/1975 Ekman 4/540
4,530,121 7/1985 Penney 4/540

Primary Examiner—James R. Largen
Attorney, Agent, or Firm—Foley & Lardner, Schwartz, Jeffery, Schwaab, Mack, Blumenthal & Evans

[57] **CLAIM**

The ornamental design for a combined shower and bathtub, as shown and described.

DESCRIPTION

FIG. 1 is a perspective view taken from the top, front and right side of a combined shower and bathtub showing my new design;

FIG. 2 is a perspective view taken from the bottom, rear and left side thereof;

FIG. 3 is a right side elevational view showing the tub in a raised position, the left side being a mirror image of the right side shown;

FIG. 4 is a front elevational view of FIG. 3; and

FIG. 5 is a rear elevational view of FIG. 3.

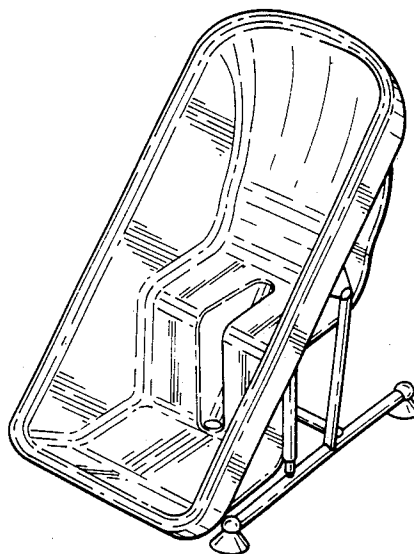


FIG. 1

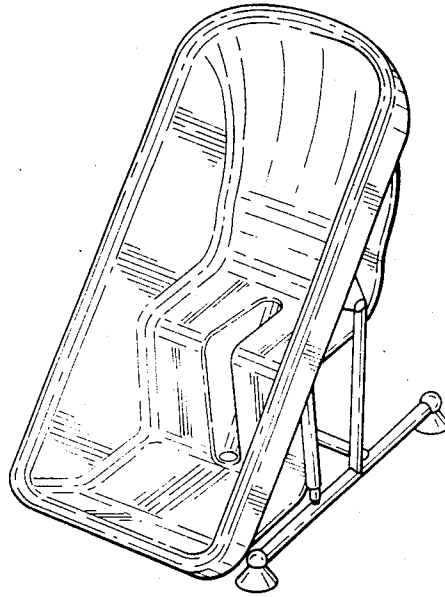


FIG. 2

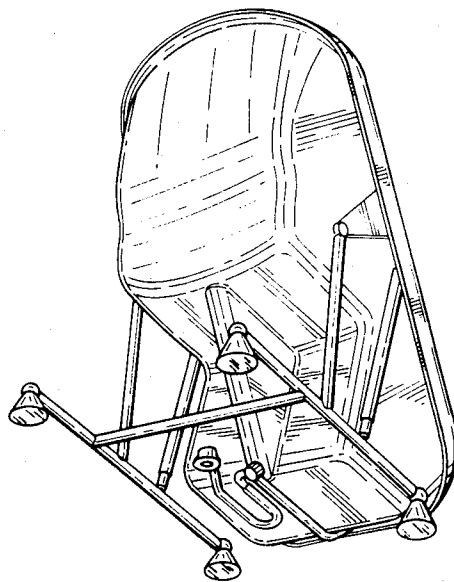


FIG. 3

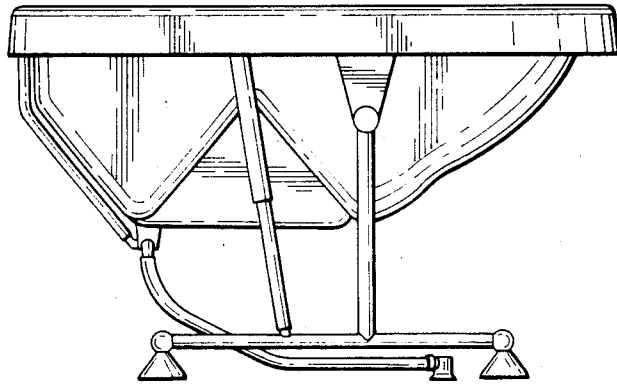


FIG. 4

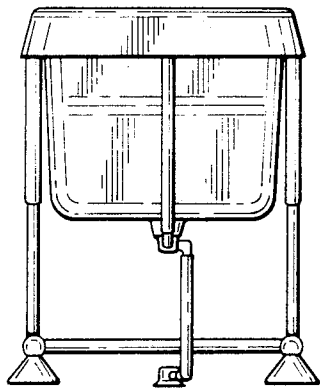


FIG. 5

