



US0D1034883S

(12) **United States Design Patent**  
**Shi**

(10) **Patent No.:** **US D1,034,883 S**

(45) **Date of Patent:** **\*\* Jul. 9, 2024**

(54) **SOLAR ANIMAL REPELLER**  
(71) Applicant: **HANGZHOU SHINEDO TECHNOLOGY CO., LTD.**, Zhejiang (CN)

FOREIGN PATENT DOCUMENTS

GB 6120253 \* 2/2021

(72) Inventor: **Yinxiao Shi**, Zhejiang (CN)  
(73) Assignee: **HANGZHOU SHINEDO TECHNOLOGY CO., LTD.**, Zhejiang (CN)

OTHER PUBLICATIONS

Hongxian, posted Aug. 3, 2023 [online], [retrieved Jan. 24, 2024]. Retrieved from internet, [https://www.amazon.com/Repellent-Repeller-Ultrasonic-Deterrent-Vibration/product-reviews/BOCCVBR28K/ref \(Date:2024\) \(Year: 2023\).\\*](https://www.amazon.com/Repellent-Repeller-Ultrasonic-Deterrent-Vibration/product-reviews/BOCCVBR28K/ref (Date:2024) (Year: 2023).*)

(\*\*) Term: **15 Years**

(Continued)

(21) Appl. No.: **29/847,402**

*Primary Examiner* — Holly E Thurman

(22) Filed: **Jul. 25, 2022**

*Assistant Examiner* — Kristopher Michael Blechschmidt

(74) *Attorney, Agent, or Firm* — ScienBizIP, P.C.

(30) **Foreign Application Priority Data**

Jan. 26, 2022 (CN) ..... 202230053450.2

(51) **LOC (14) Cl.** ..... **22-06**

(52) **U.S. Cl.** ..... **D22/120**

(58) **Field of Classification Search**

USPC ..... D22/119–122; D26/67–68; D30/199; D13/102; D23/366

CPC .... A01K 15/021; A01K 15/02; A01K 15/022; A01K 15/023; A01K 15/029; A01K 15/04; A01K 15/00; A01K 15/006; A01K 12/022; A01K 27/009; A01K 27/00; A01K 27/001; A01K 29/005; A01K 29/00; A61B 5/681; A61B 5/6822; A61B 5/6824; A61B 5/6829; G01S 5/0294; A01M 29/18; A01M 1/00; A01M 13/00; A01M 23/00; A01M 25/00; A01M 27/00; A01M 29/00; A01M 99/00; A01M 2200/011; A01M 2200/012; A01M  
(Continued)

(57) **CLAIM**

The ornamental design for a solar animal repeller, as shown and described.

**DESCRIPTION**

FIG. 1 is a front, right and top perspective view of a solar animal repeller, showing my design.  
FIG. 2 is a rear, left and bottom perspective view thereof.  
FIG. 3 is a front elevation view thereof.  
FIG. 4 is a rear elevation view thereof.  
FIG. 5 is a left side elevation view thereof.  
FIG. 6 is a right side elevation view thereof.  
FIG. 7 is a top plan view thereof.  
FIG. 8 is a bottom plan view thereof; and,  
FIG. 9 is a partial enlarged view of an area labeled 9 in FIG. 1.

The broken lines shown in the drawings are included for the purpose of illustrating portions of the solar animal repeller that form no part of the claimed design. In addition, the dot-dash broken lines in FIGS. 1 and 9 depict the boundaries of the enlargements that form no part of the claimed design.

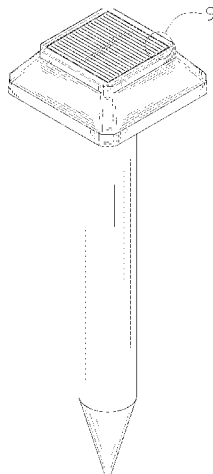
(56) **References Cited**

U.S. PATENT DOCUMENTS

D517,717 S \* 3/2006 Sanoner ..... D26/68  
D583,900 S \* 12/2008 Krause ..... D22/120

(Continued)

**1 Claim, 9 Drawing Sheets**



(58) **Field of Classification Search**

CPC .. 25/004; A01M 1/106; A01M 1/2011; A01M 1/14; A01M 23/38; A01M 1/04; A01M 1/20; A01M 23/16; A01M 23/005; A01M 1/103; A01M 29/10; A01M 29/34; A01M 29/30; A01M 1/2044; A01M 1/22; A01M 29/28; A01M 1/16; A01M 29/32; A01M 3/025

See application file for complete search history.

D963,563 S \* 9/2022 Zhang ..... D13/102  
 D969,379 S \* 11/2022 Wang ..... D26/67  
 D972,765 S \* 12/2022 Wu ..... D26/67  
 D990,017 S \* 6/2023 Liu ..... D26/67  
 D996,678 S \* 8/2023 Chen ..... D26/67  
 D998,748 S \* 9/2023 Luo ..... D13/102  
 2012/0206997 A1\* 8/2012 Krause ..... A01M 29/16 367/139

(56)

**References Cited**

U.S. PATENT DOCUMENTS

8,281,747 B1 \* 10/2012 Few ..... A01K 15/023 119/719  
 D823,425 S \* 7/2018 Wang ..... D22/120  
 10,420,335 B2 \* 9/2019 Kocznar ..... A01M 29/32  
 D878,287 S \* 3/2020 Shi ..... D13/102  
 D884,246 S \* 5/2020 Tang ..... D26/67  
 D887,521 S \* 6/2020 He ..... D22/120  
 D911,574 S \* 2/2021 Hui ..... D26/68  
 D923,847 S \* 6/2021 Ye ..... D26/67  
 D960,421 S \* 8/2022 Xia ..... D26/67

OTHER PUBLICATIONS

Ledrail, posted Apr. 1, 2022 [online], [retrieved Jan. 24, 2024]. Retrieved from internet, <https://www.amazon.com/LeiDrail-Waterproof-Landscape-Lighting-Decoration/dp/B09RFG5Z3Y/ref> (Date:2024) (Year: 2022).  
 Magic Cat, posted Jun. 7, 2021 [online], [retrieved Jan. 24, 2024]. Retrieved from internet, <https://www.youtube.com/watch?v=oliT0JLEdlc> (Date:2024) (Year: 2021).  
 Bobcat, posted Oct. 22, 2021 [online], [retrieved Jan. 24, 2024]. Retrieved from internet, [https://www.amazon.com/dp/B0BT52R9XS/ref=sspa\\_dk\\_detail\\_3?psc=1&pf](https://www.amazon.com/dp/B0BT52R9XS/ref=sspa_dk_detail_3?psc=1&pf) (Date:2024) (Year: 2021).\*

\* cited by examiner

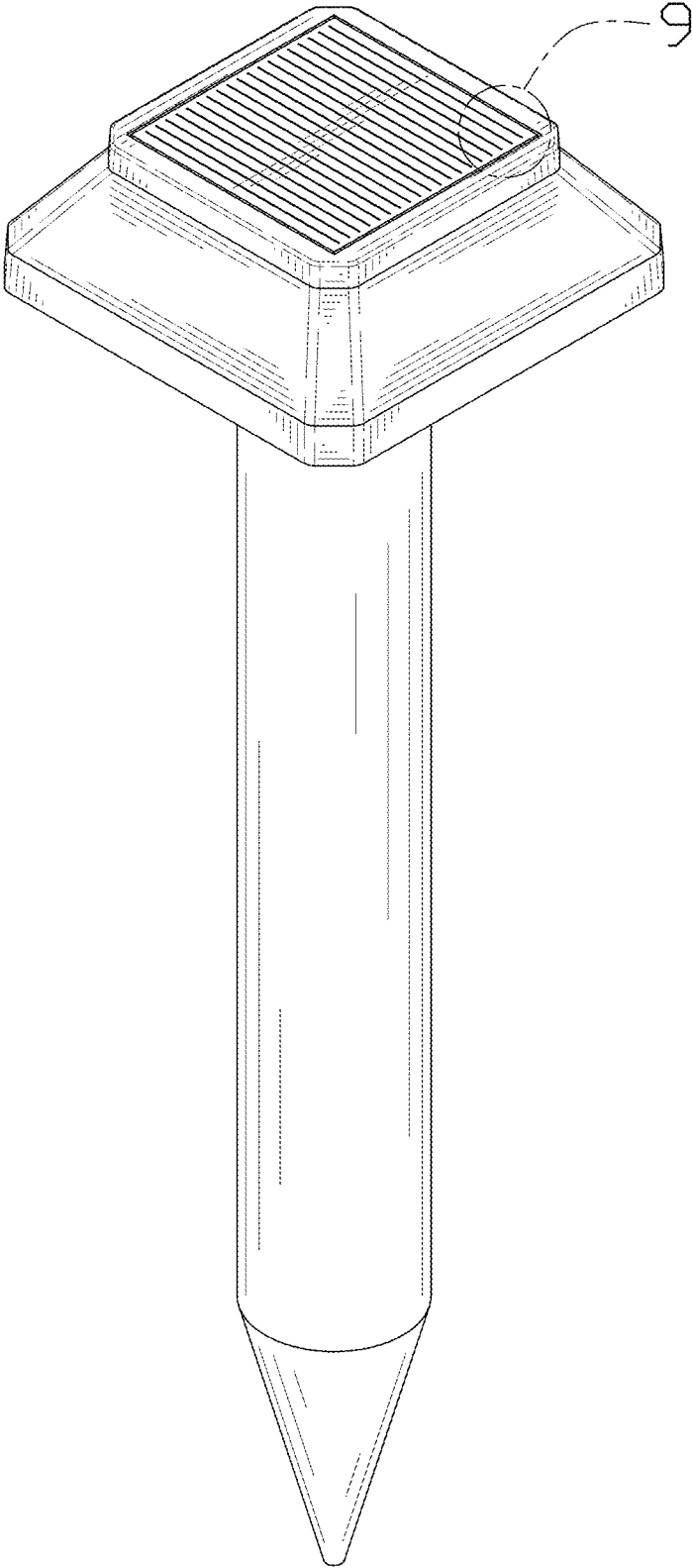


FIG. 1

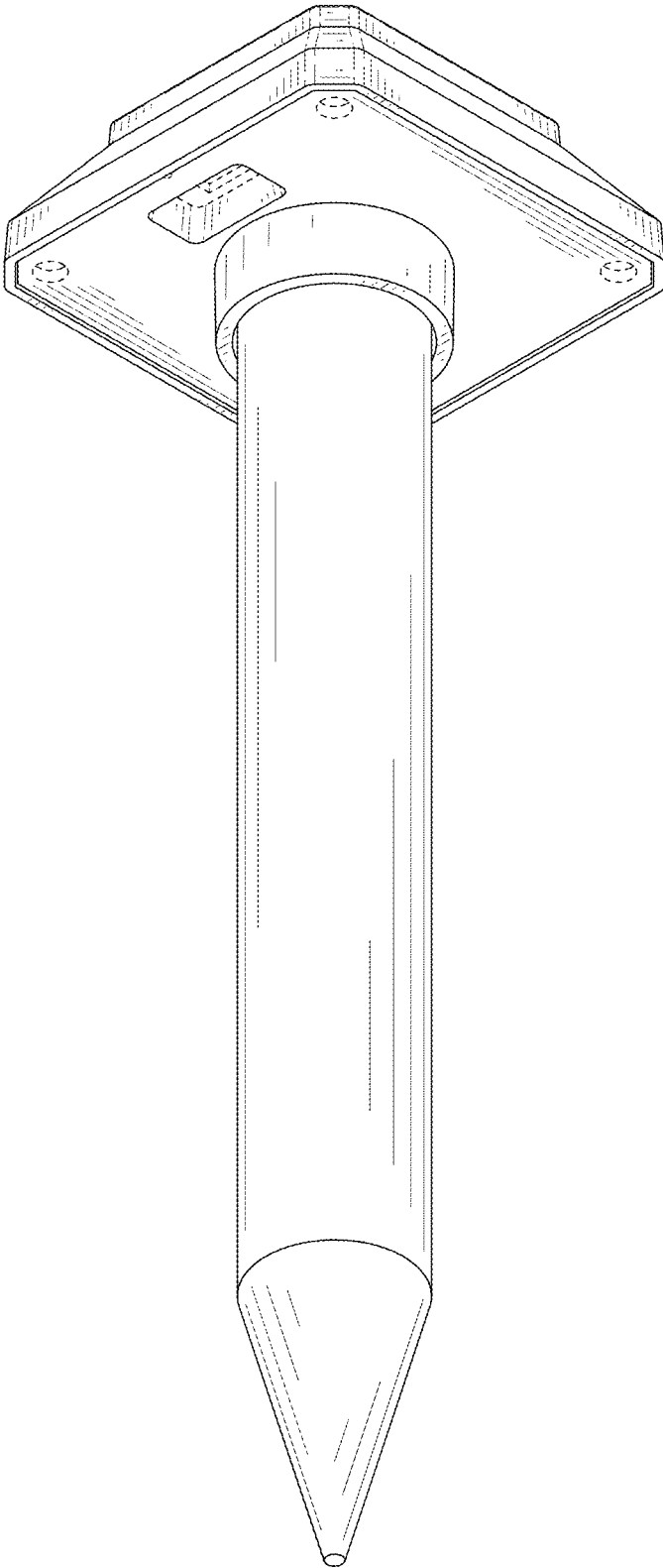


FIG. 2

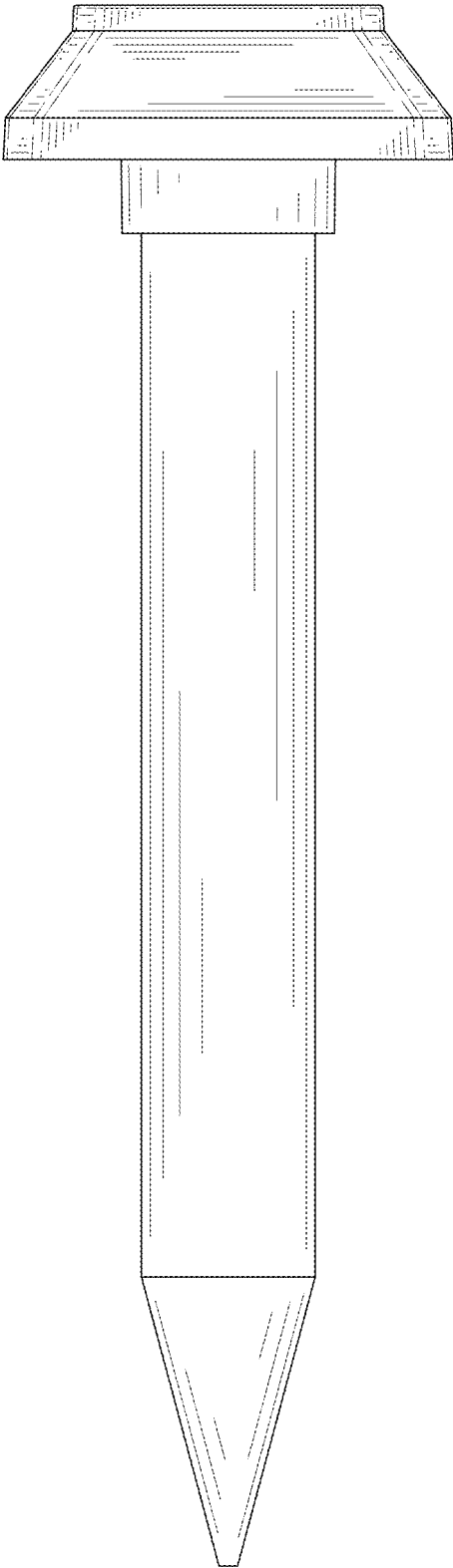


FIG. 3

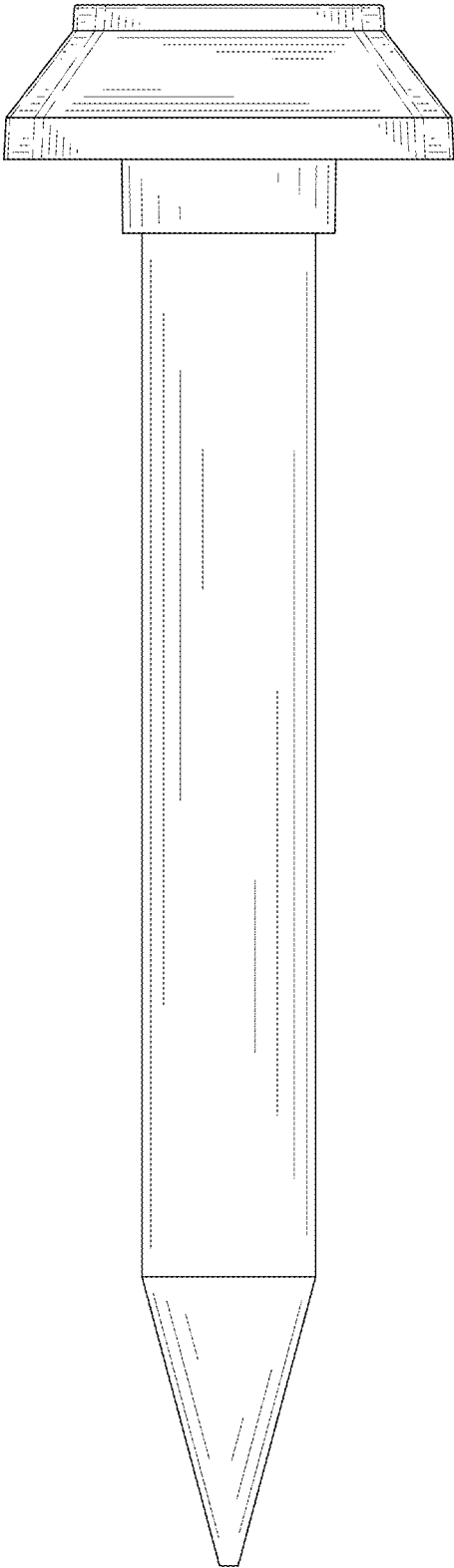


FIG. 4

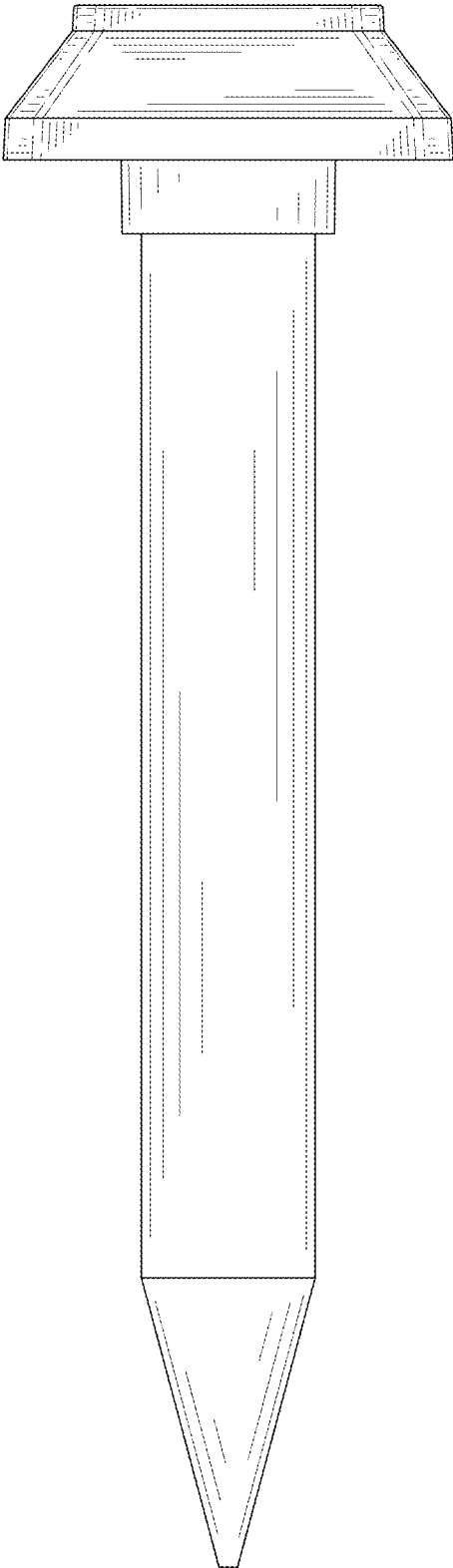


FIG. 5

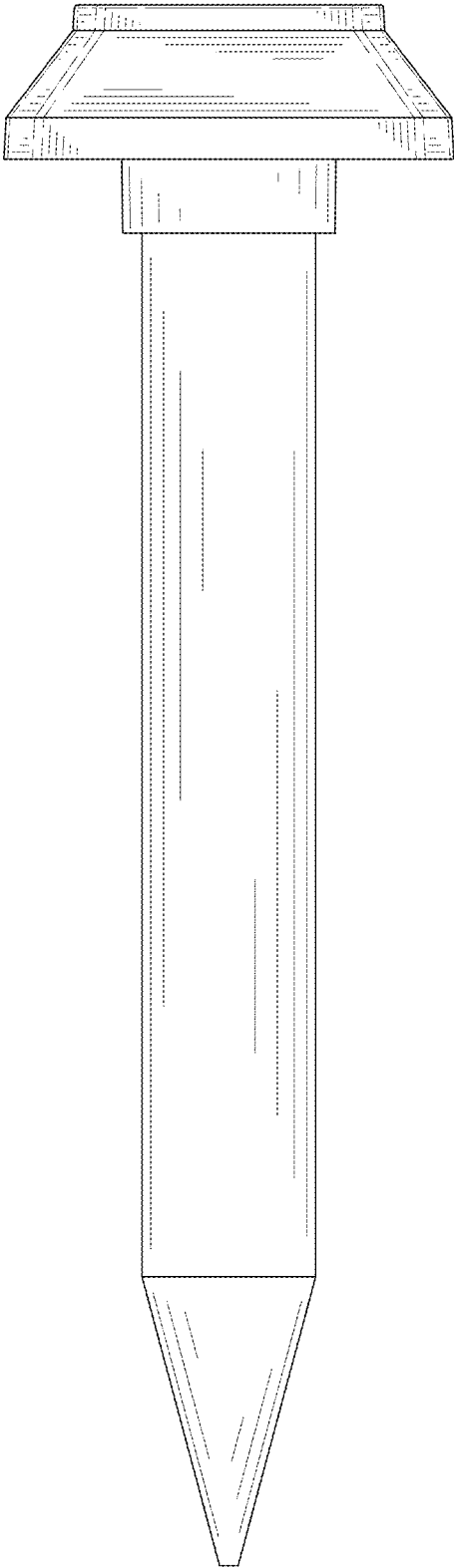


FIG. 6

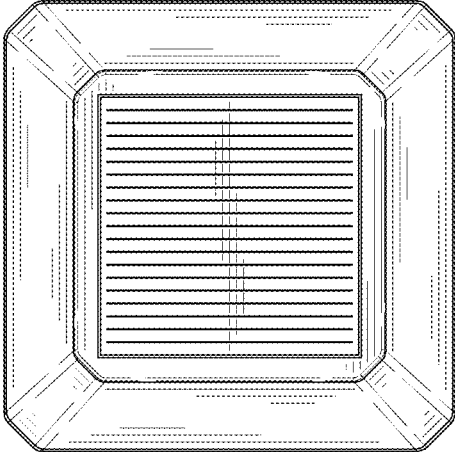


FIG. 7

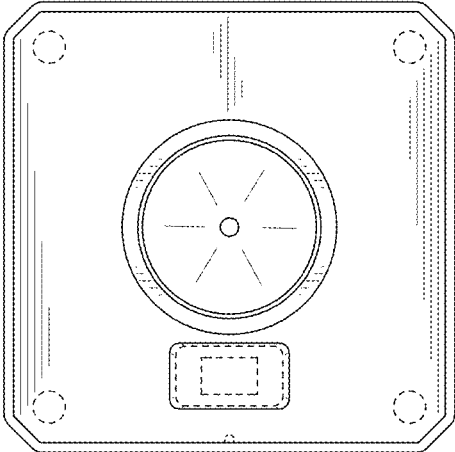


FIG. 8

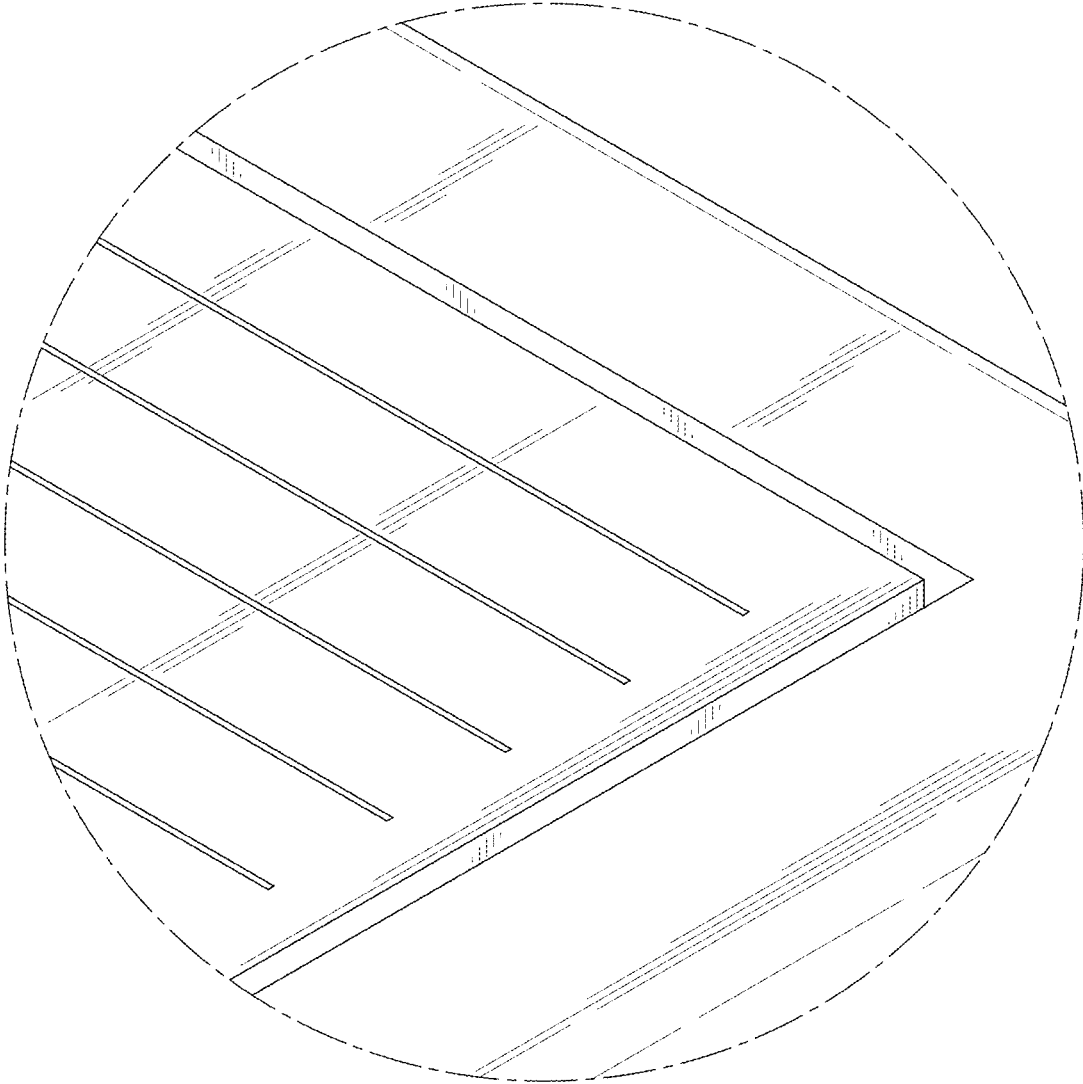


FIG. 9