



US0D1017002S

(12) **United States Design Patent**
Thomas

(10) **Patent No.:** **US D1,017,002 S**

(45) **Date of Patent:** **** Mar. 5, 2024**

(54) **COMBINED BARBEQUE AND PATIO HEATER**

(71) Applicant: **HESTIA CONCEPTS LTD.,**
Canterbury (GB)

(72) Inventor: **Samuel Haydn Andrew Thomas,**
Canterbury (GB)

(73) Assignee: **Hestia Concepts Ltd.,** Canterbury (GB)

(**) Term: **15 Years**

(21) Appl. No.: **29/735,212**

(22) Filed: **May 19, 2020**

(51) **LOC (14) Cl.** **23-03**

(52) **U.S. Cl.**
USPC **D23/332; D7/332**

(58) **Field of Classification Search**
USPC D23/314, 317, 332, 336, 342-350, 329;
D7/332, 334-337, 339, 341
CPC F24C 7/105; F24C 1/10; F24C 3/04; F24C
7/065; F23D 14/12; F24H 3/00; A47J
2037/0777; A47J 37/0763; F24B 3/00;
F24B 1/195; F24B 1/00; F24B 13/00;
F24B 1/18; F24B 13/004; F24B 1/192;
F24B 1/181; F24B 1/182; F24B 1/1802
See application file for complete search history.

(56) **References Cited**

U.S. PATENT DOCUMENTS

616,185	A	12/1898	Duis	
2,615,444	A	10/1952	Shaver	
D180,649	S	7/1957	Harding	
D244,031	S	4/1977	Baughman	
D254,389	S *	3/1980	Freeland	D23/350
D259,386	S	6/1981	Mulder	
D264,373	S *	5/1982	Chamberlain	D23/350
D265,339	S *	7/1982	Baughman	D23/343
D269,368	S *	6/1983	Schrader	D23/343

4,414,956	A	11/1983	Webber	
D277,129	S *	1/1985	Larson	D23/350
D289,195	S *	4/1987	Desautels	D23/343
D291,349	S *	8/1987	O'Reilly	D23/342
D292,121	S *	9/1987	Lee	D23/342
4,766,876	A *	8/1988	Henry	F24B 5/026 126/193
4,941,451	A *	7/1990	Gilham	F24B 5/026 126/77
D329,960	S	10/1992	Reynolds	
D359,115	S *	6/1995	Schroeter	D23/342
D443,464	S	6/2001	Davis	
D463,948	S	10/2002	Innes	
D550,022	S	9/2007	Amajuwon et al.	

(Continued)

FOREIGN PATENT DOCUMENTS

EM	004048221 0001	8/2017
EM	004048221 0002	8/2017
EM	004048221 0003	8/2017

Primary Examiner — Ania Aman

(74) *Attorney, Agent, or Firm* — LIPPES MATHIAS LLP

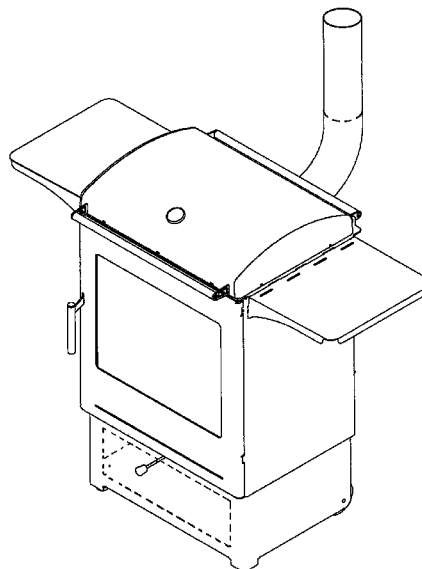
(57) **CLAIM**

The ornamental design for a combined barbeque and patio heater, as shown and described.

DESCRIPTION

FIG. 1 is a perspective view of a heater of the present invention with the combined barbeque and patio heater shown in a closed condition;
FIG. 2 is a right side view thereof;
FIG. 3 is a front view thereof;
FIG. 4 is a top view thereof;
FIG. 5 is a left side view thereof;
FIG. 6 is a rear view thereof; and,
FIG. 7 is a perspective view thereof with the combined barbeque and patio heater shown in an open condition.
The bottom plan view forms no part of the claimed design.

1 Claim, 7 Drawing Sheets



(56)

References Cited

U.S. PATENT DOCUMENTS

D583,185	S	12/2008	Rutter et al.	
D669,974	S	10/2012	McNeal	
D738,476	S *	9/2015	Lee	D23/343
D760,531	S	7/2016	Scheer	
2015/0182075	A1	7/2015	Necsuliu	
2015/0345797	A1 *	12/2015	Lehet	F23B 90/04 126/77
2019/0346144	A1	11/2019	Thomas	
2020/0015626	A1	1/2020	Corso et al.	

* cited by examiner

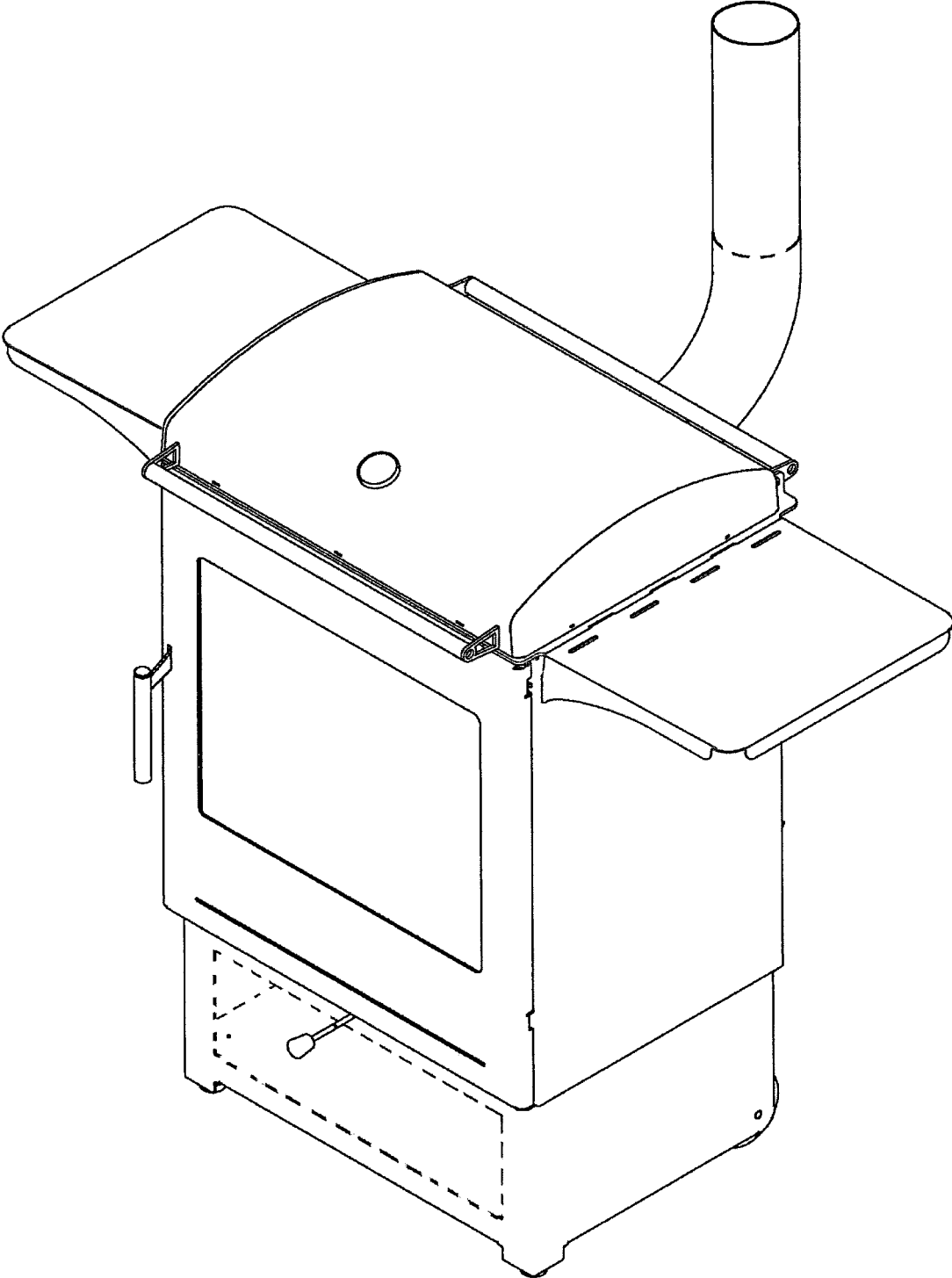


FIG. 1

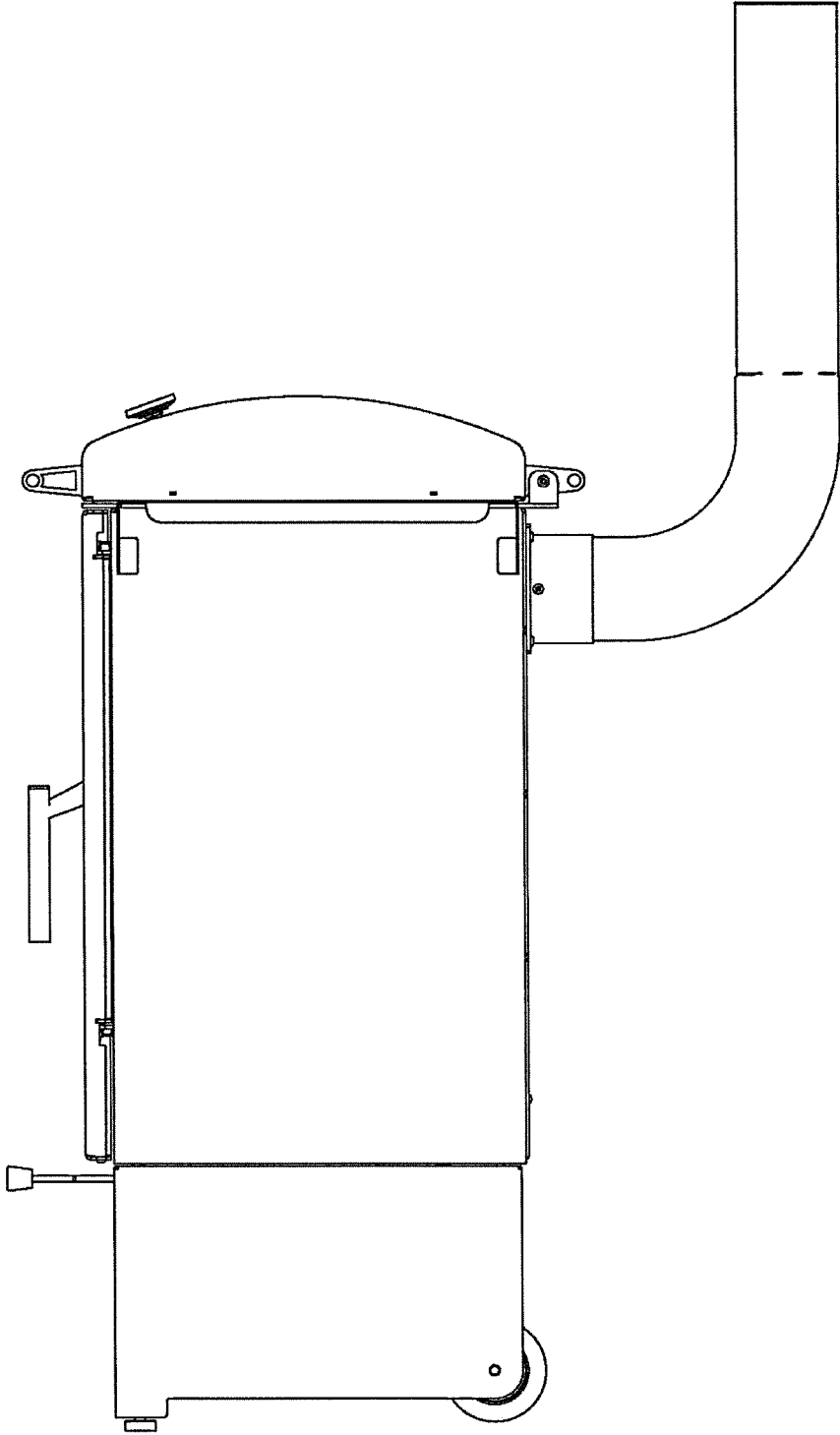


FIG. 2

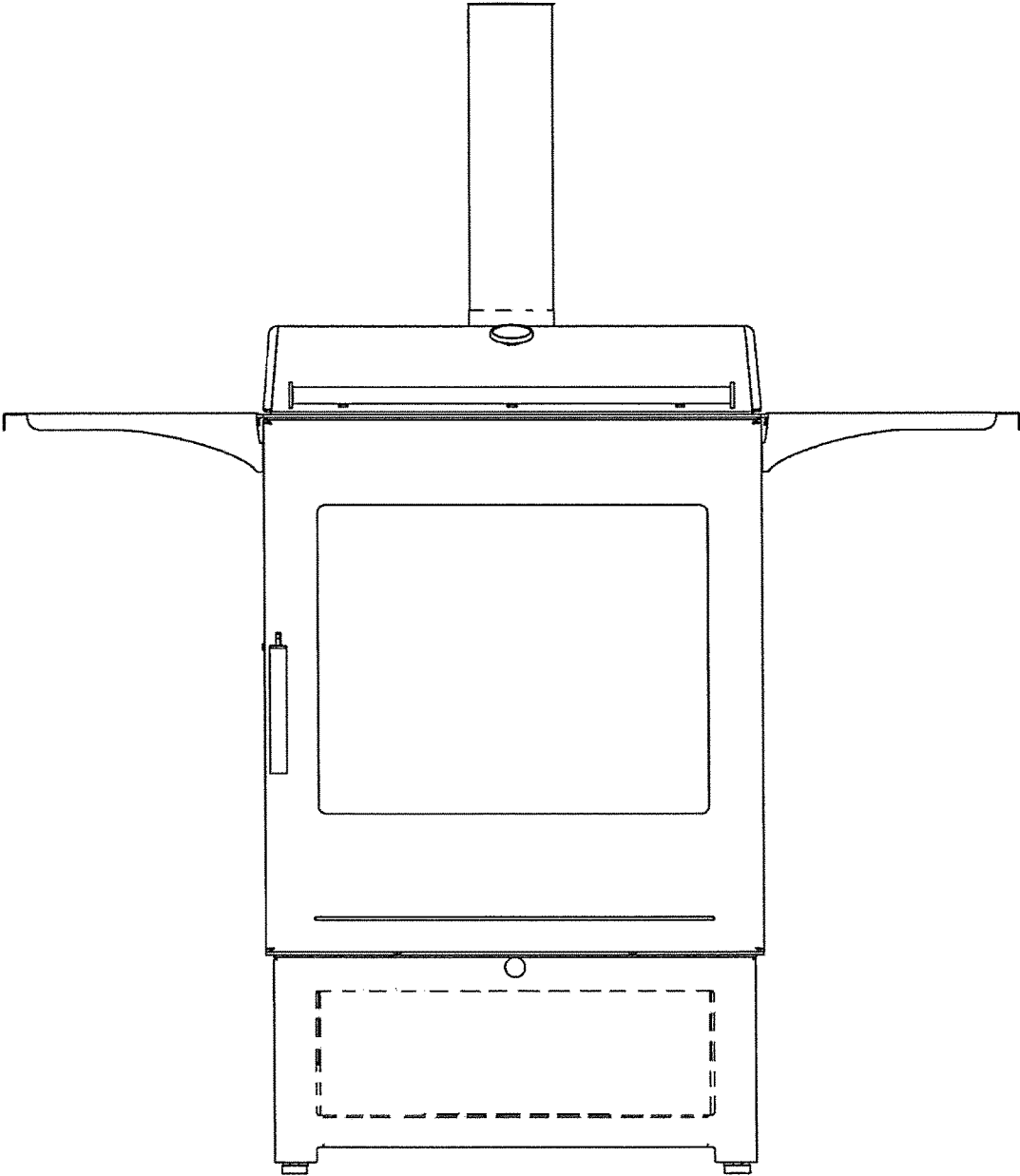


FIG. 3

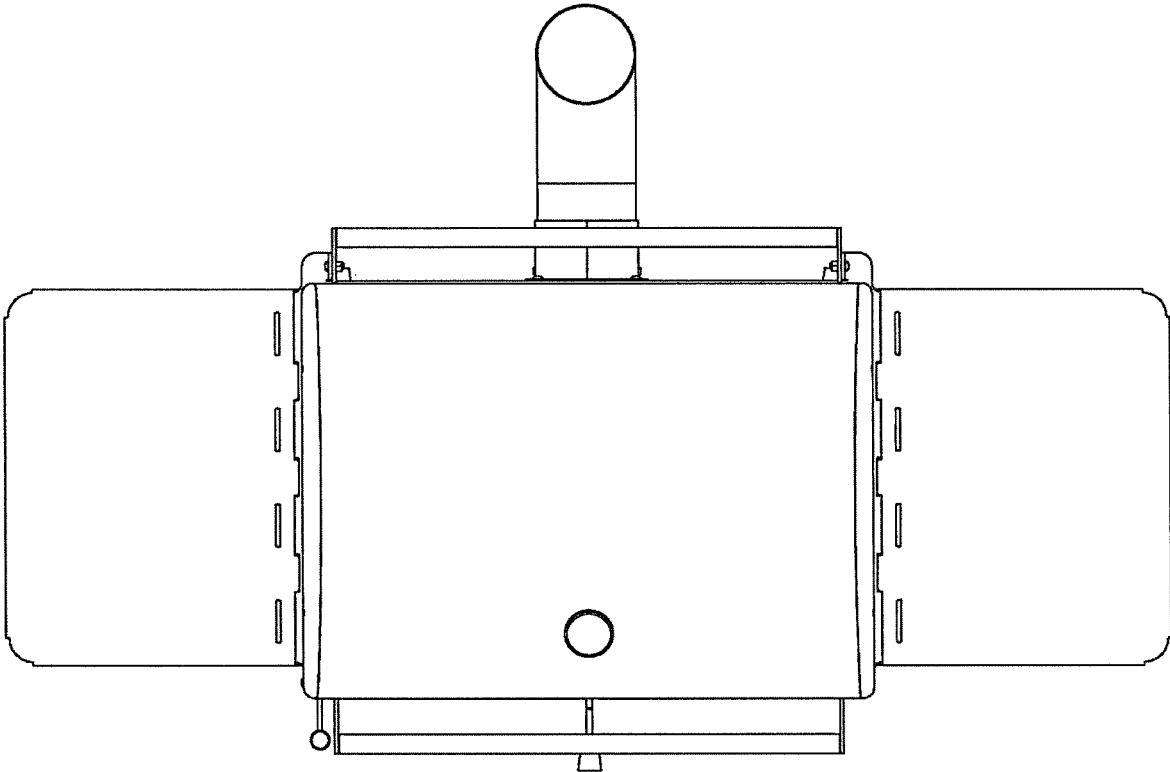


FIG. 4

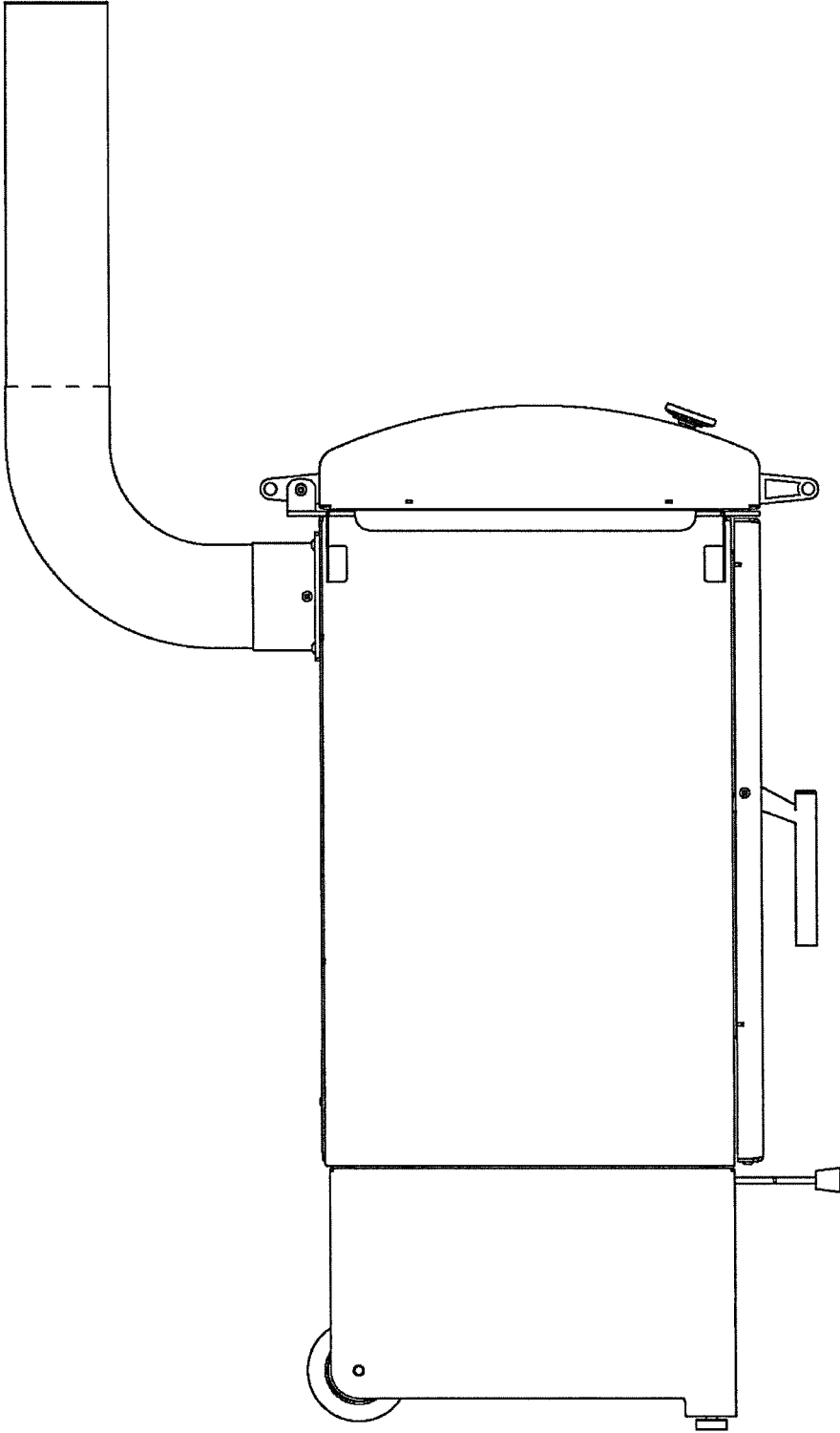


FIG. 5

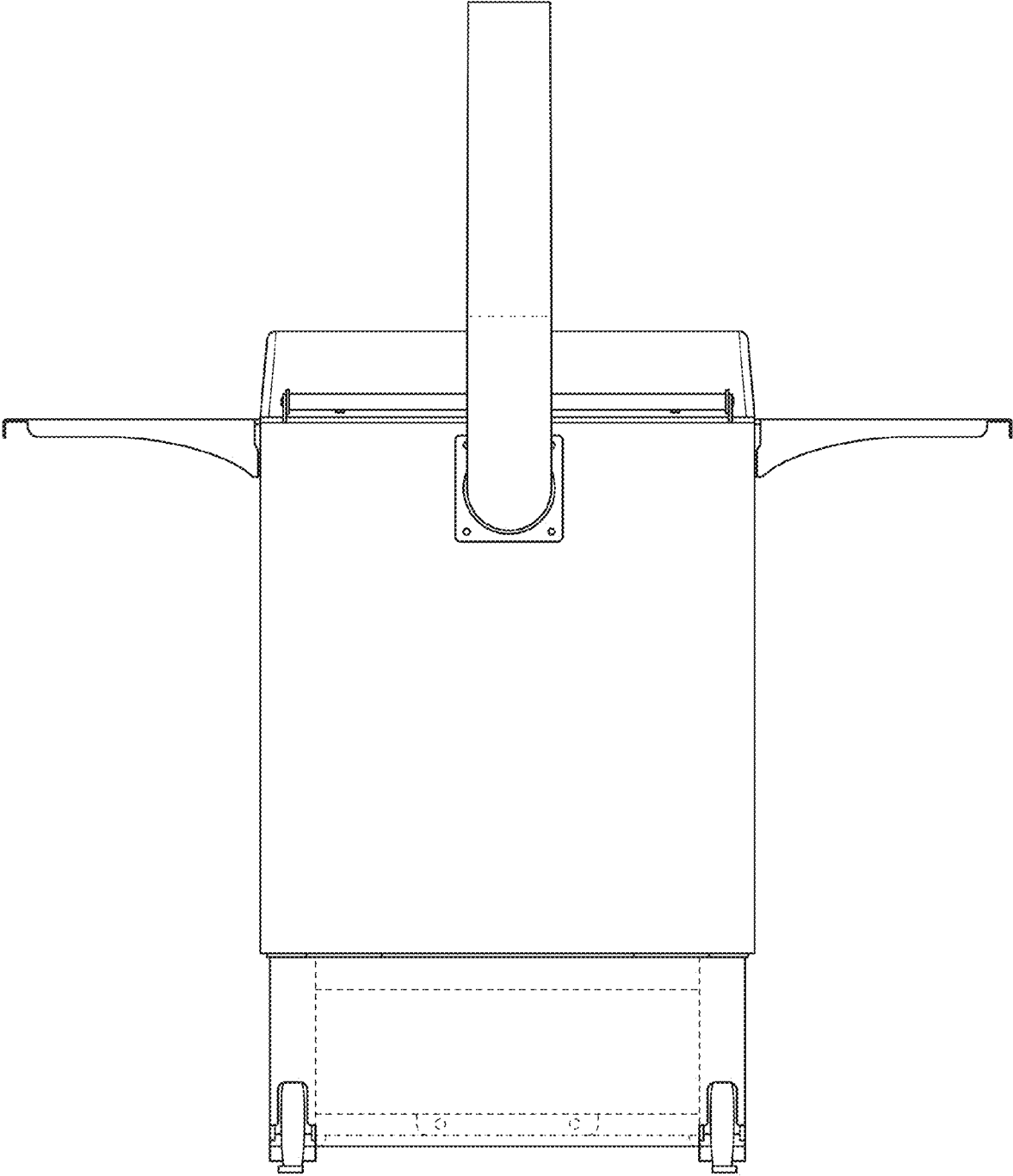


FIG. 6

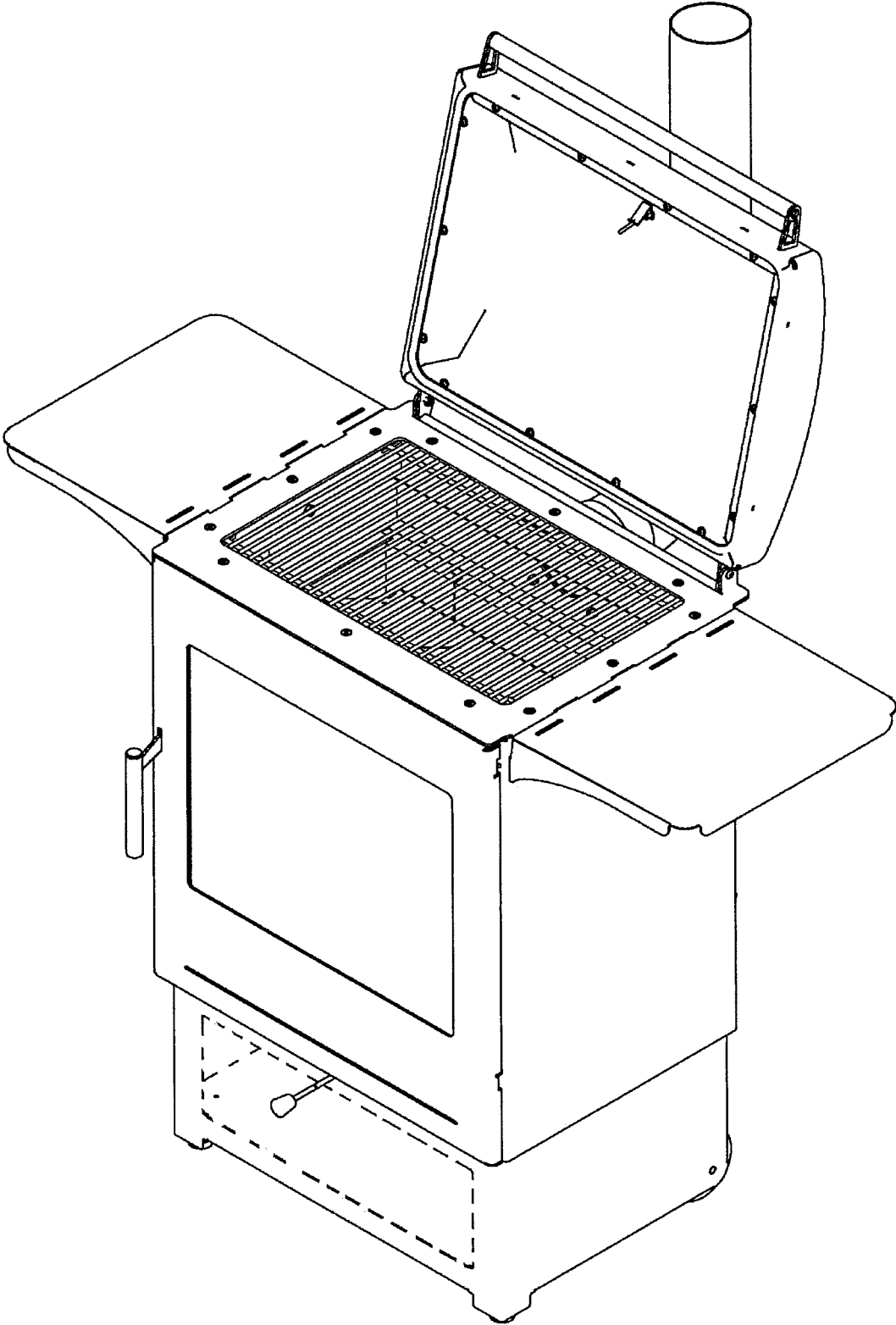


FIG. 7