



US00D693282S

(12) **United States Design Patent**  
**Ichikawa et al.**

(10) **Patent No.:** **US D693,282 S**

(45) **Date of Patent:** **\*\* Nov. 12, 2013**

(54) **WHEEL FOR MOTORCYCLE**

(71) Applicant: **Kawasaki Jukogyo Kabushiki Kaisha,**  
Hyogo (JP)

(72) Inventors: **Kazuhiro Ichikawa, Kobe (JP); Masato**  
**Kogirima, Kobe (JP)**

(73) Assignee: **Kawasaki Jukogyo Kabushiki Kaisha,**  
Hyogo (JP)

(\*\*) Term: **14 Years**

(21) Appl. No.: **29/451,145**

(22) Filed: **Mar. 28, 2013**

(51) **LOC (9) Cl.** ..... **12-16**

(52) **U.S. Cl.**  
USPC ..... **D12/209**

(58) **Field of Classification Search**  
USPC ..... **D12/204-213; 301/37.101, 64.101, 65,**  
**301/64.201**

See application file for complete search history.

(56) **References Cited**

**U.S. PATENT DOCUMENTS**

|              |        |               |       |         |
|--------------|--------|---------------|-------|---------|
| D453,013 S * | 1/2002 | Cunningham    | ..... | D12/209 |
| D455,701 S * | 4/2002 | McMath        | ..... | D12/209 |
| D491,125 S * | 6/2004 | Rivers et al. | ..... | D12/209 |

|              |         |                 |       |         |
|--------------|---------|-----------------|-------|---------|
| D491,126 S * | 6/2004  | Rivers et al.   | ..... | D12/209 |
| D492,635 S * | 7/2004  | Mathis et al.   | ..... | D12/209 |
| D493,132 S * | 7/2004  | Rivers et al.   | ..... | D12/209 |
| D497,340 S * | 10/2004 | Anderson et al. | ..... | D12/209 |
| D507,220 S * | 7/2005  | Lucaora         | ..... | D12/209 |
| D519,900 S * | 5/2006  | Francis         | ..... | D12/209 |
| D524,710 S * | 7/2006  | Long            | ..... | D12/209 |
| D533,496 S * | 12/2006 | Bogani et al.   | ..... | D12/209 |
| D567,166 S * | 4/2008  | Bogani          | ..... | D12/209 |
| D572,184 S * | 7/2008  | Tagigawa et al. | ..... | D12/209 |

\* cited by examiner

*Primary Examiner* — Stacia Cadmus

(74) *Attorney, Agent, or Firm* — Wenderoth, Lind & Ponack,  
L.L.P.

(57) **CLAIM**

The ornamental design for a wheel for motorcycle, as shown  
and described.

**DESCRIPTION**

FIG. 1 is a front perspective view of a wheel for motorcycle  
showing our new design;

FIG. 2 is a rear perspective view thereof;

FIG. 3 is a front elevational view thereof;

FIG. 4 is a rear elevational view thereof;

FIG. 5 is a left side view thereof;

FIG. 6 is a right side view thereof;

FIG. 7 is a top plan view thereof; and,

FIG. 8 is a bottom plan view thereof.

**1 Claim, 6 Drawing Sheets**

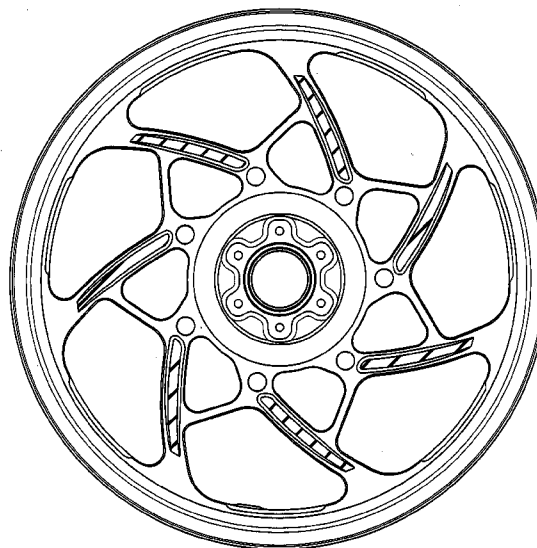
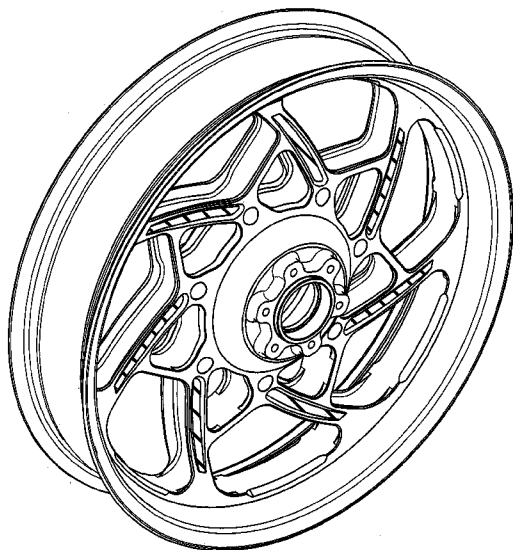


Fig. 1

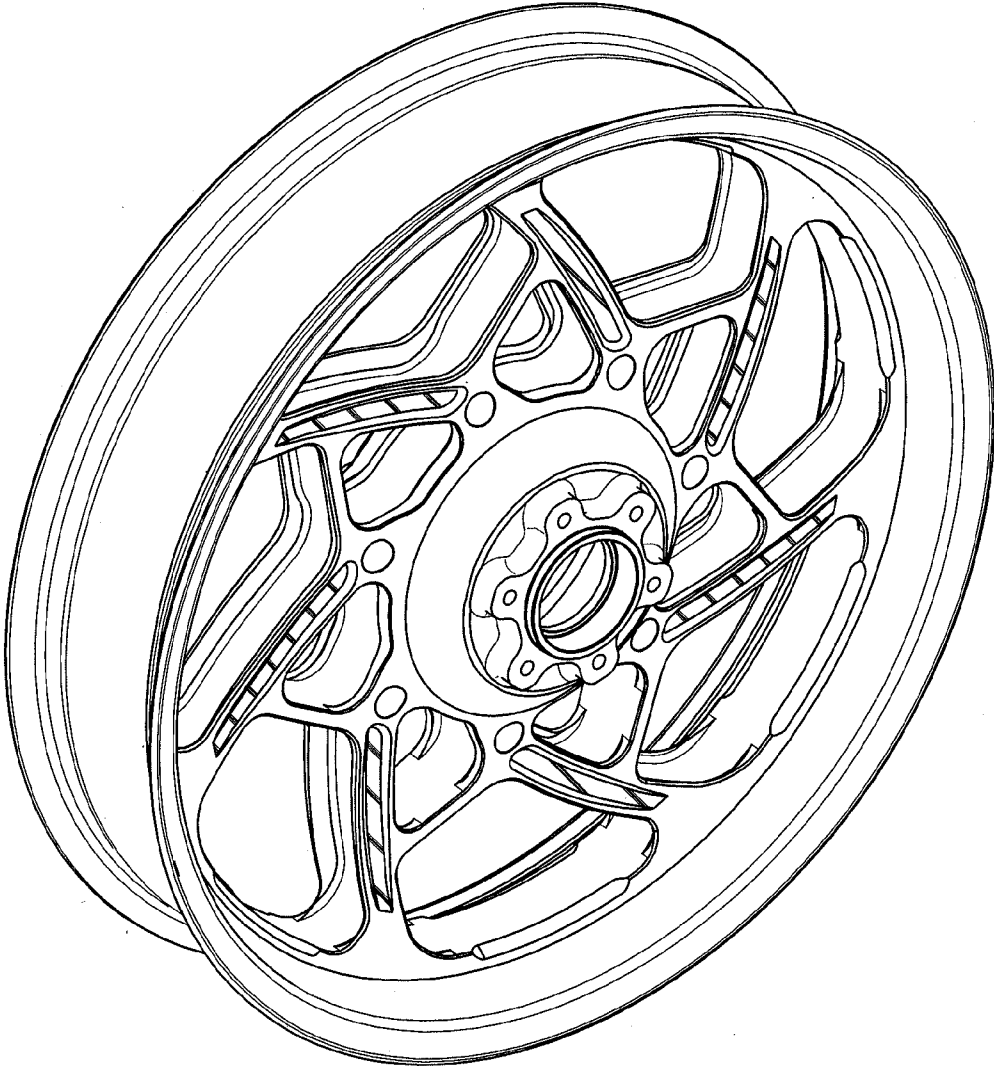


Fig. 2

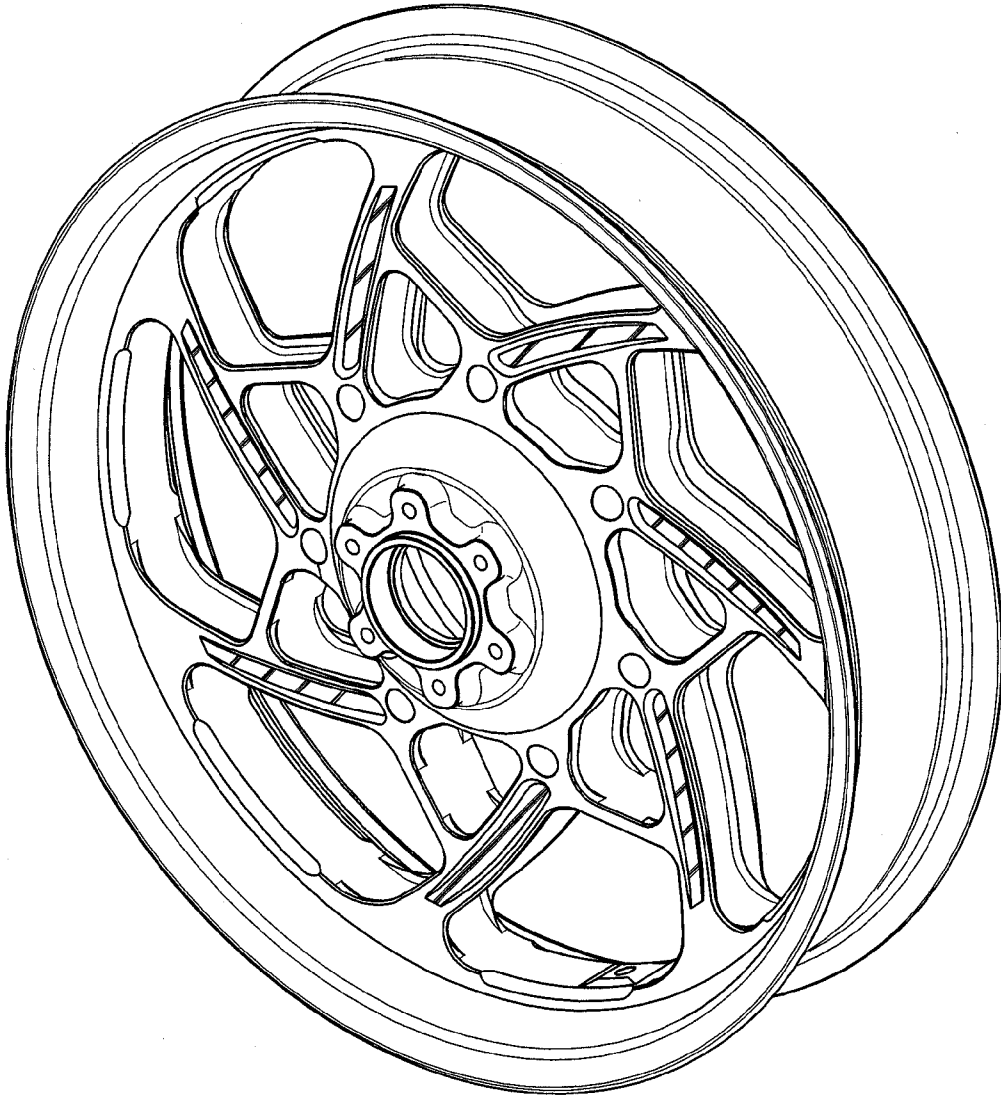


Fig. 3

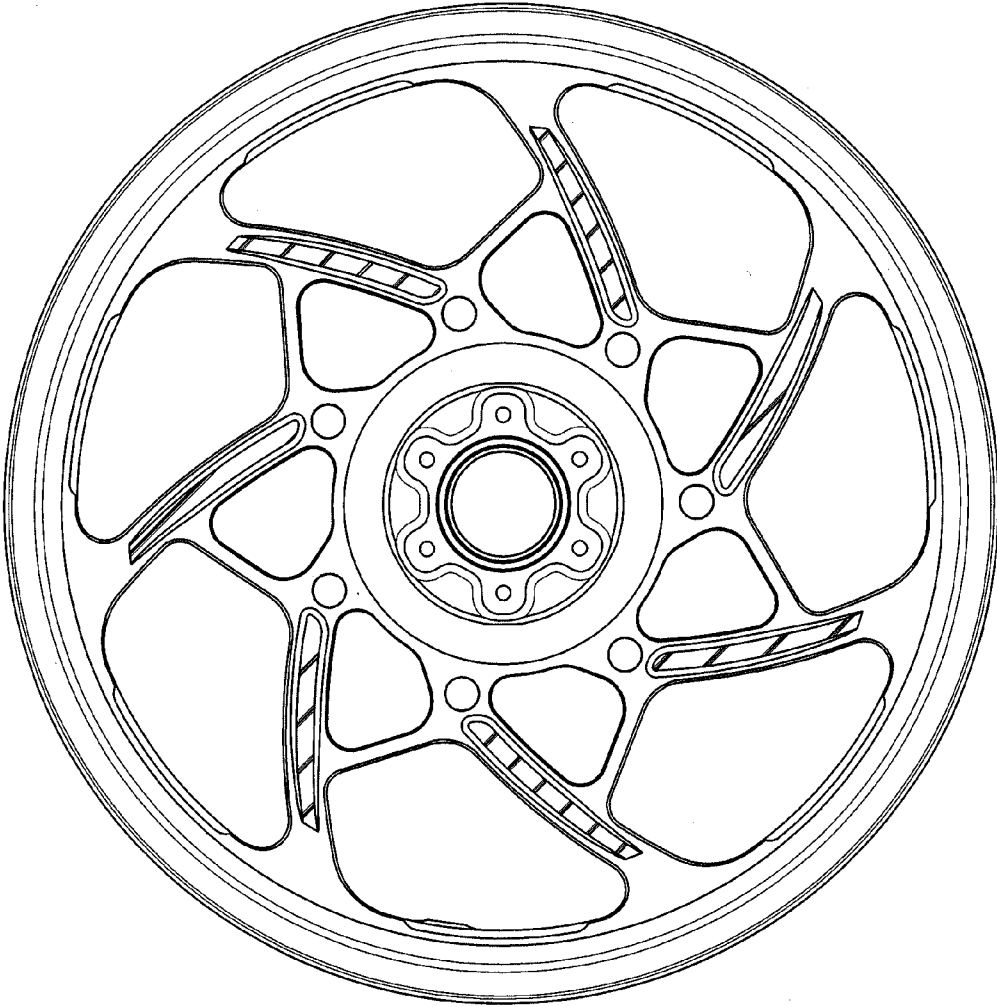


Fig. 4

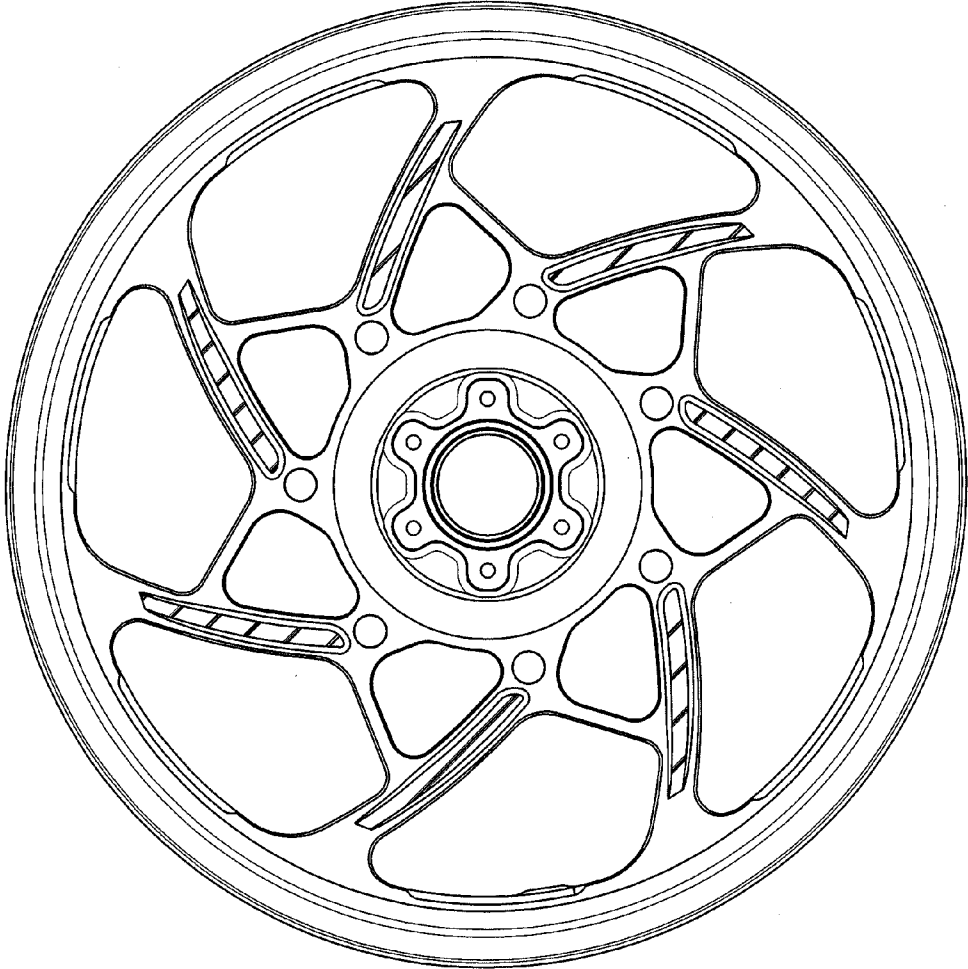


Fig. 5

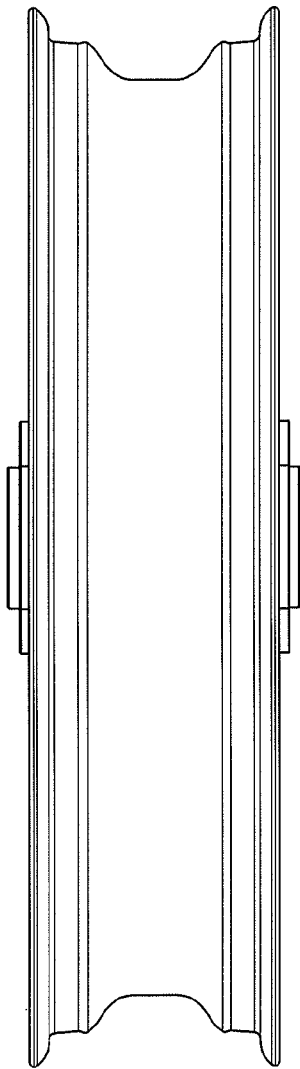


Fig. 6

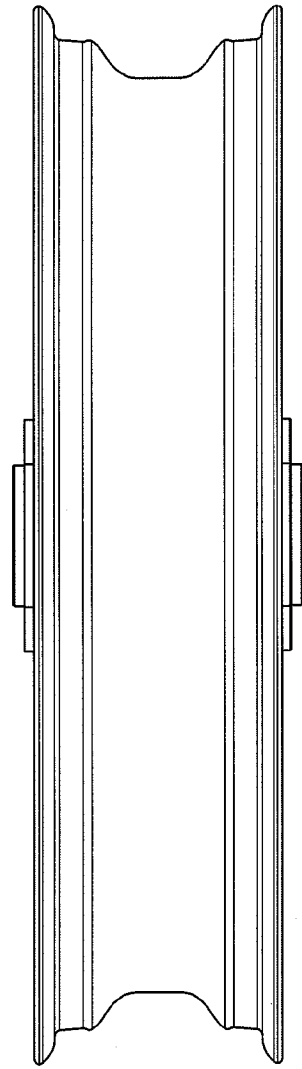


Fig. 7

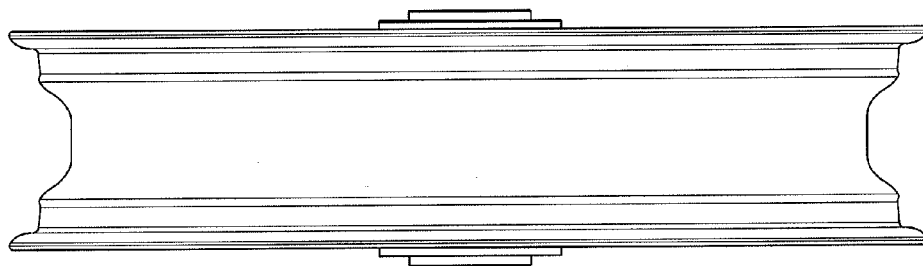


Fig. 8

