



US00D997296S

(12) **United States Design Patent**  
**Mjelde**

(10) **Patent No.:** **US D997,296 S**

(45) **Date of Patent:** **\*\* Aug. 29, 2023**

(54) **OZONE INJECTOR DEVICE**

FOREIGN PATENT DOCUMENTS

(71) Applicant: **AQUASTAR POOL PRODUCTS, INC.**, Ventura, CA (US)

CA 508405 12/1954  
EP 2277617 1/2011

(Continued)

(72) Inventor: **Olaf Mjelde**, Ventura, CA (US)

OTHER PUBLICATIONS

(73) Assignee: **AQUASTAR POOL PRODUCTS, INC.**, Ventura, CA (US)

CircuPool Core35 Salt Chlorinator System, Oct. 12, 2019, Amazon, site visited Mar. 8, 2023: <https://www.amazon.ca/dp/B07PVL1R25/> (Year: 2019).\*

(\*\*) Term: **15 Years**

(Continued)

(21) Appl. No.: **29/868,510**

(22) Filed: **Dec. 5, 2022**

*Primary Examiner* — Jack Reickel  
*Assistant Examiner* — Bobby W Jones, II  
(74) *Attorney, Agent, or Firm* — Cislo & Thomas, LLP

**Related U.S. Application Data**

(62) Division of application No. 29/770,856, filed on Feb. 17, 2021, now Pat. No. Des. 972,069.

(51) **LOC (14) Cl.** ..... **23-01**

(52) **U.S. Cl.**  
USPC ..... **D23/207**

(58) **Field of Classification Search**  
USPC ..... D23/200, 202, 207, 208, 209, 210  
CPC ... E04H 4/1209; E04H 4/1263; E04H 4/1281;  
C02F 1/688; C02F 2103/42; A61L 2/26;  
A61L 2/202

See application file for complete search history.

(57) **CLAIM**

The ornamental design for an ozone injector device, as shown and described.

**DESCRIPTION**

FIG. 1 is a perspective view of an embodiment of my ozone injector device;  
FIG. 2 is front elevation view of the ozone injector device of FIG. 1;  
FIG. 3 is a rear elevation view of the ozone injector device of FIG. 1;  
FIG. 4 is a right side elevation view of the ozone injector device of FIG. 1;  
FIG. 5 is a left side elevation view of the ozone injector device of FIG. 1;  
FIG. 6 is a top plan view of the ozone injector device of FIG. 1; and,  
FIG. 7 is a bottom plan view of the ozone injector device of FIG. 1.  
The broken lines shown in the drawings illustrate portions of my ozone injector device that form no part of the claimed design.

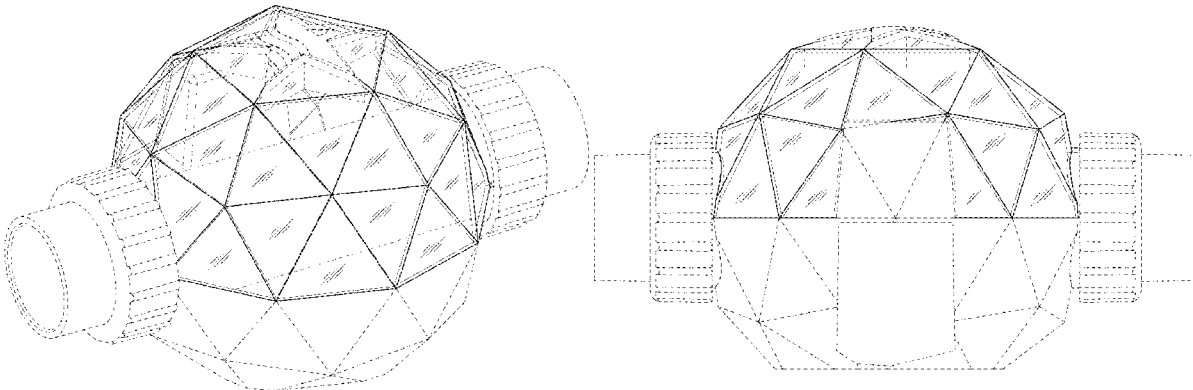
(56) **References Cited**

U.S. PATENT DOCUMENTS

2,367,606	A	1/1945	Olson	
3,367,256	A	2/1968	Townsend et al.	
3,511,268	A	5/1970	Dubrovsky et al.	
D231,823	S *	6/1974	Sharp	D23/207
4,336,820	A	6/1982	Jorgensen et al.	
4,545,221	A	10/1985	Daniel et al.	
D290,632	S	6/1987	Dehnert et al.	
D307,460	S *	4/1990	Bradford	D23/207
5,081,328	A	1/1992	Friend et al.	

(Continued)

**1 Claim, 4 Drawing Sheets**



(56)

References Cited

U.S. PATENT DOCUMENTS

5,503,742 A \* 4/1996 Farley ..... B01D 29/01  
210/450  
5,509,349 A 4/1996 Anderson et al.  
D440,265 S \* 4/2001 Cannon ..... D21/714  
D535,352 S \* 1/2007 Verdon ..... D23/207  
D586,347 S \* 2/2009 Cheng ..... D14/433  
D597,172 S \* 7/2009 Hin ..... D23/207  
D634,397 S \* 3/2011 Lautzenheiser ..... D23/207  
D692,524 S \* 10/2013 Ziser ..... D23/207  
D725,204 S \* 3/2015 Rub ..... D21/707  
9,205,386 B2 12/2015 Wu  
9,352,989 B2 5/2016 Lacasse  
D768,031 S \* 10/2016 Pellham ..... D11/131  
9,616,435 B2 4/2017 Smith et al.  
D791,768 S \* 7/2017 Billard ..... D14/358  
9,863,379 B2 1/2018 Heinrich et al.  
D857,838 S \* 8/2019 Pitman ..... D23/209  
10,669,171 B2 \* 6/2020 Heng ..... C25B 1/26  
D890,295 S \* 7/2020 Xu ..... D23/209  
10,717,047 B1 7/2020 Wang  
D897,492 S \* 9/2020 Pitman ..... D23/209  
11,019,827 B1 6/2021 Lynn  
11,084,745 B1 \* 8/2021 Mjelde ..... F04F 5/46  
D951,392 S \* 5/2022 Uemori ..... D24/188

11,358,888 B1 \* 6/2022 Mjelde ..... B01F 25/312521  
D972,069 S \* 12/2022 Mjelde ..... D23/207  
2003/0183585 A1 10/2003 Cho  
2013/0105373 A1 \* 5/2013 Chen ..... E04H 4/1281  
137/15.17  
2016/0152497 A1 \* 6/2016 Tandon ..... C02F 1/50  
210/130  
2019/0084852 A1 3/2019 Harris  
2019/0195370 A1 \* 6/2019 Huang ..... E04H 4/1281  
2020/0271635 A1 \* 8/2020 Key ..... G01N 27/4167  
2022/0340457 A1 \* 10/2022 Thompson ..... A61L 2/18

FOREIGN PATENT DOCUMENTS

GB 476141 12/1937  
KR KB20020012974 2/2002

OTHER PUBLICATIONS

How to Install the Del Spa Ozonator MCD-50, Sep. 24, 2010, YouTube, site visited Jul. 12, 2022: <https://www.youtube.com/watch?v=-8vNlnL5IJg> (Year: 2010).\*  
Results of the Aero-Spa System, Jun. 18, 2015, YouTube, site visited Jul. 12, 2022: [https://www.youtube.com/watch?v=z\\_fq1AebY\\_A](https://www.youtube.com/watch?v=z_fq1AebY_A) (Year: 2015).\*

\* cited by examiner

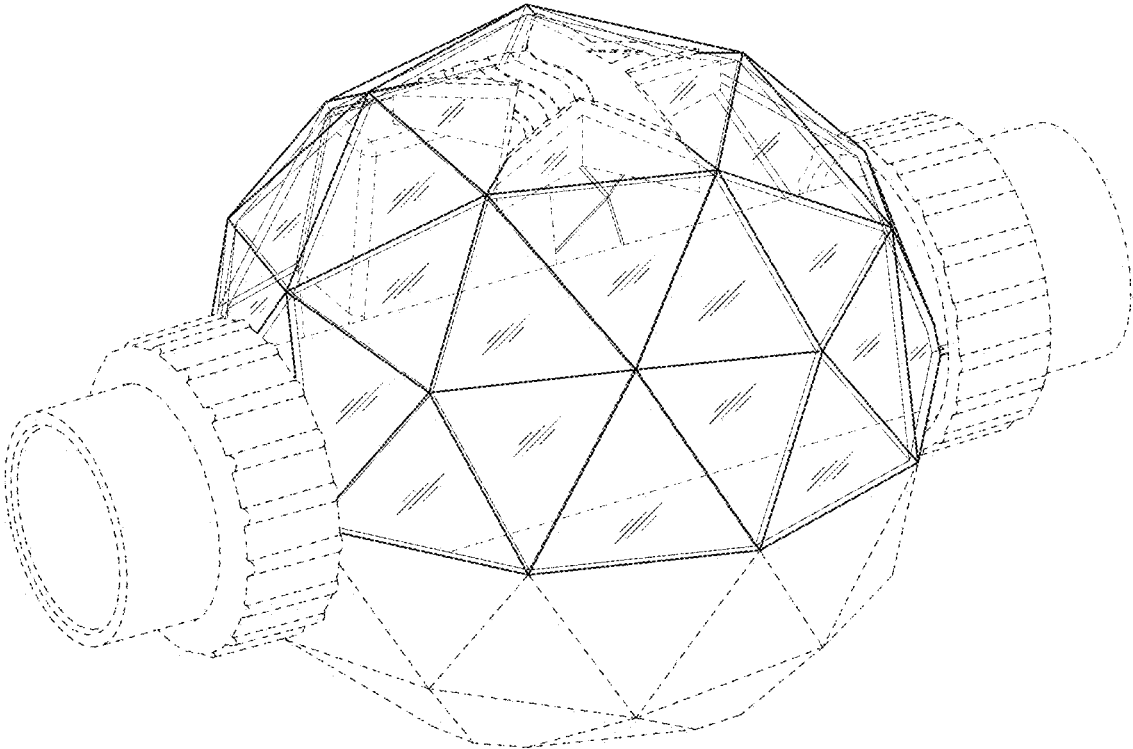


FIG. 1

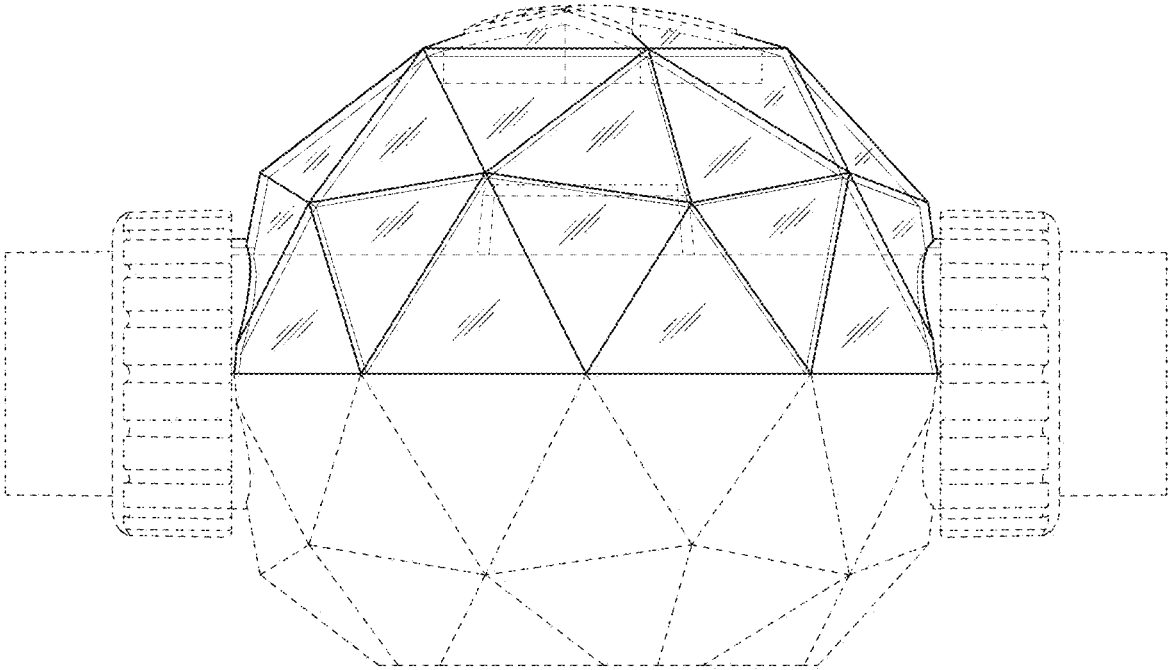


FIG. 2

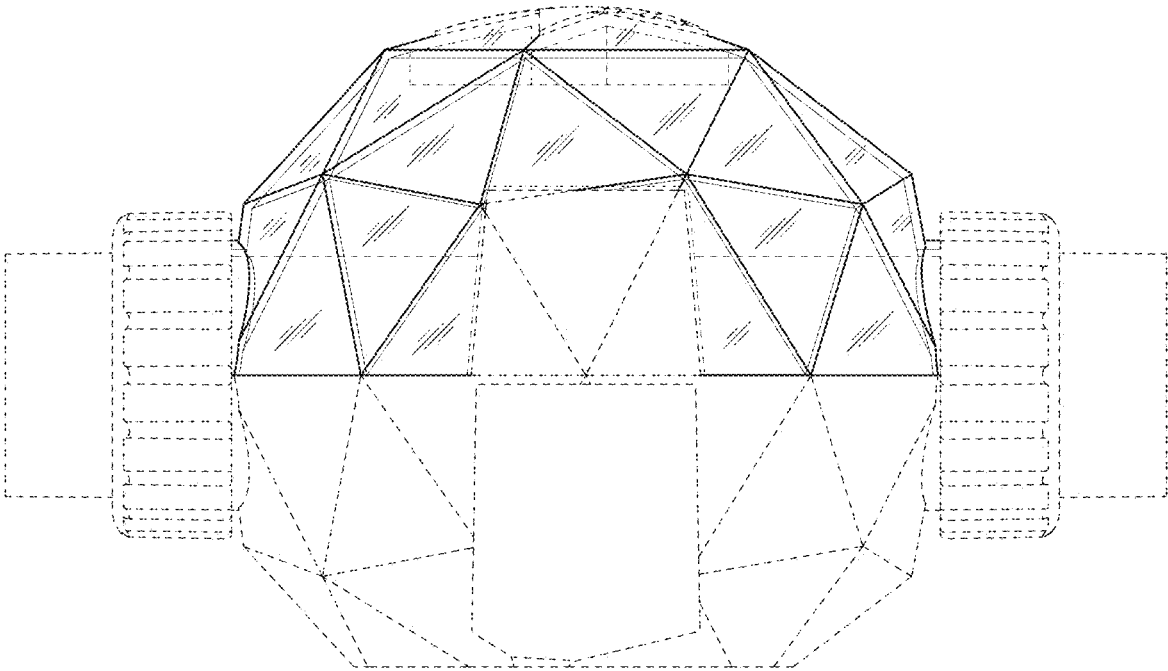


FIG. 3

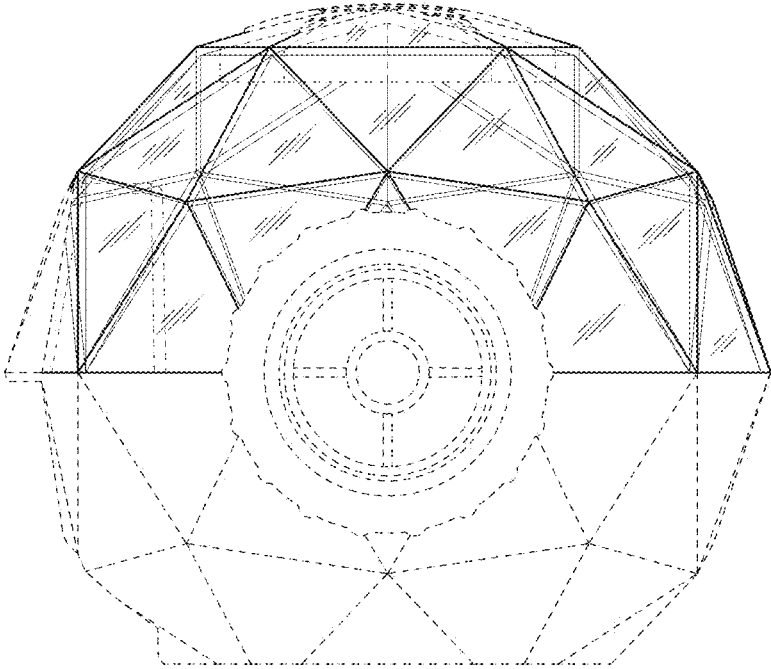


FIG. 4

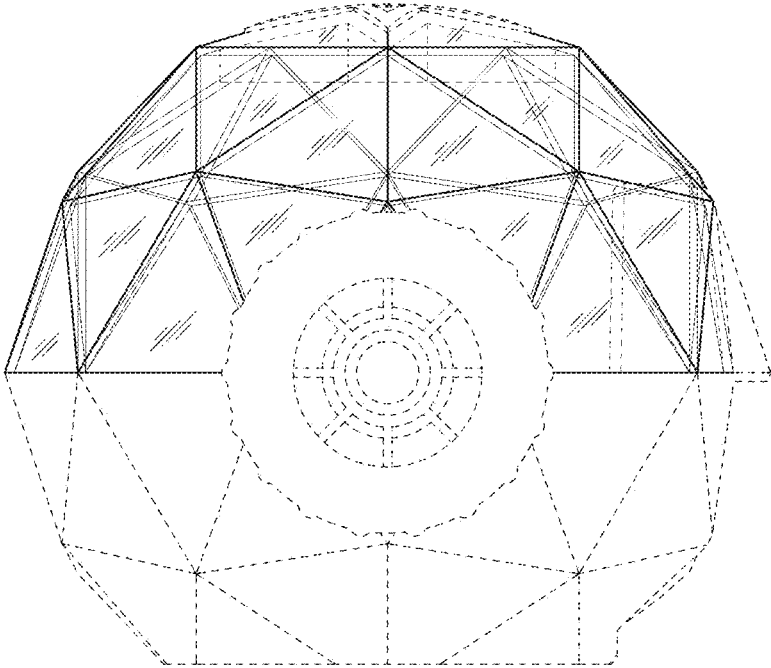


FIG. 5

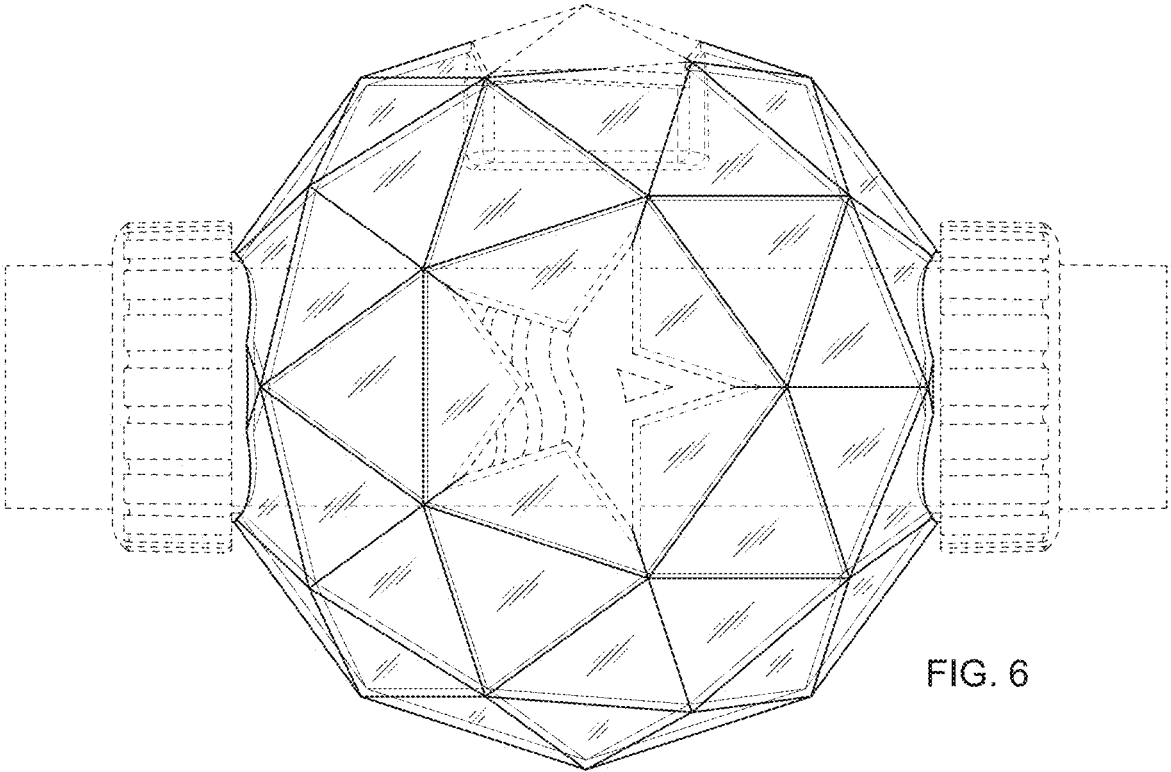


FIG. 6

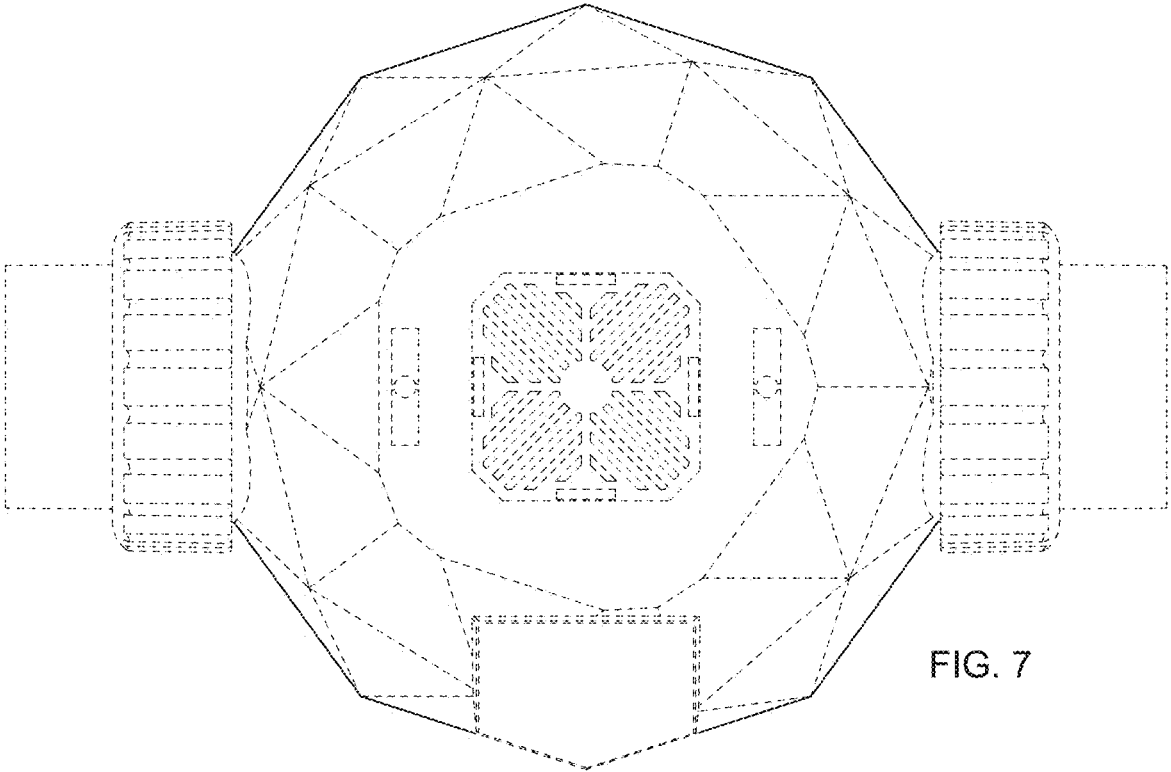


FIG. 7