



US00D738768S

(12) **United States Design Patent**  
**Amfitheatrof et al.**

(10) **Patent No.:** **US D738,768 S**

(45) **Date of Patent:** **\*\* Sep. 15, 2015**

(54) **JEWELRY ITEM**

(71) Applicant: **Tiffany and Company**, New York, NY  
(US)

(72) Inventors: **Francesca Amfitheatrof**, New York, NY  
(US); **Emily Morrow**, New York, NY  
(US); **James Stonebraker**, New York,  
NY (US); **Neil Desai**, Wood-Ridge, NJ  
(US)

(73) Assignee: **Tiffany and Company**, New York, NY  
(US)

(\*\*) Term: **14 Years**

(21) Appl. No.: **29/502,744**

(22) Filed: **Sep. 18, 2014**

(51) **LOC (10) Cl.** ..... **11-01**

(52) **U.S. Cl.**  
USPC ..... **D11/1; D11/79; D11/80**

(58) **Field of Classification Search**  
USPC ..... D11/1, 7, 8, 79-86, 87, 88, 62, 44, 47,  
D11/48  
CPC ..... A44C 15/002; A44C 15/0025; A44C  
15/005; A44C 25/00; A44C 25/001; A44C  
25/007; A44C 1/00  
See application file for complete search history.

(56) **References Cited**

**U.S. PATENT DOCUMENTS**

|           |   |   |         |         |       |         |
|-----------|---|---|---------|---------|-------|---------|
| 2,125,267 | A | * | 8/1938  | Bekan   | ..... | 242/146 |
| 2,261,958 | A | * | 11/1941 | Burri   | ..... | 63/32   |
| D153,058  | S | * | 3/1949  | Chernow | ..... | D11/79  |

|          |   |   |         |                |       |         |
|----------|---|---|---------|----------------|-------|---------|
| D245,834 | S | * | 9/1977  | Wilbert        | ..... | D11/7   |
| D249,131 | S | * | 8/1978  | Barr           | ..... | D11/81  |
| D327,031 | S | * | 6/1992  | Solomon et al. | ..... | D11/80  |
| D404,681 | S | * | 1/1999  | Galerieau      | ..... | D11/121 |
| D531,079 | S | * | 10/2006 | Scharr         | ..... | D11/86  |
| D596,306 | S | * | 7/2009  | Levine         | ..... | D24/214 |
| D659,584 | S | * | 5/2012  | Veit           | ..... | D11/81  |
| D672,465 | S | * | 12/2012 | Sherman        | ..... | D24/207 |
| D696,603 | S | * | 12/2013 | Kornerup       | ..... | D11/1   |
| D718,915 | S | * | 12/2014 | Byers          | ..... | D99/37  |

**OTHER PUBLICATIONS**

[Online] [http://ecx.images-amazon.com/images/I/41YFkqOUPBL\\_\\_SY300\\_.jpg](http://ecx.images-amazon.com/images/I/41YFkqOUPBL__SY300_.jpg). Retrieved Apr. 15, 2015.\*

\* cited by examiner

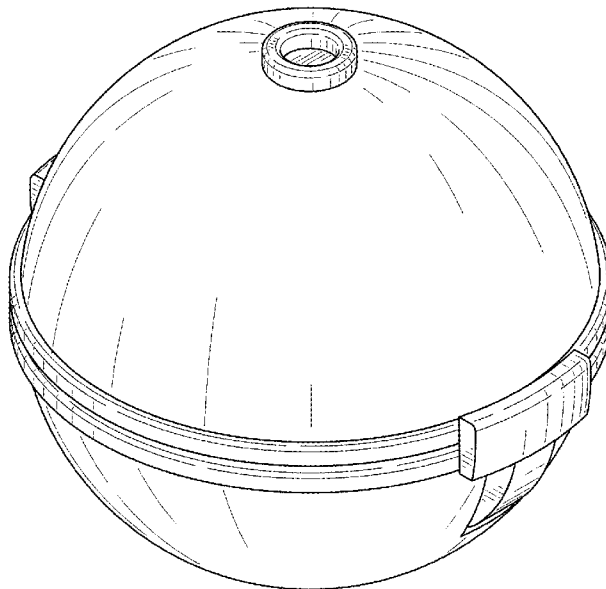
*Primary Examiner* — Garth Rademaker  
*Assistant Examiner* — Melanie Pellegrini  
(74) *Attorney, Agent, or Firm* — Fross Zelnick Lehrman &  
Zissu, P.C.; Charles T. J. Weigell, Esq.

(57) **CLAIM**  
The ornamental design for a jewelry item, as shown and  
described.

**DESCRIPTION**

FIG. 1 is a front perspective view of a jewelry item showing  
my new design;  
FIG. 2 is a front view of the jewelry item shown in FIG. 1;  
FIG. 3 is a rear view of the jewelry item shown in FIG. 1;  
FIG. 4 is a right side view of the jewelry item shown in FIG.  
1;  
FIG. 5 is a left side view of the jewelry item shown in FIG. 1;  
FIG. 6 is a top view of the jewelry item shown in FIG. 1; and  
FIG. 7 is a bottom view of the jewelry item shown in FIG. 1.

**1 Claim, 4 Drawing Sheets**



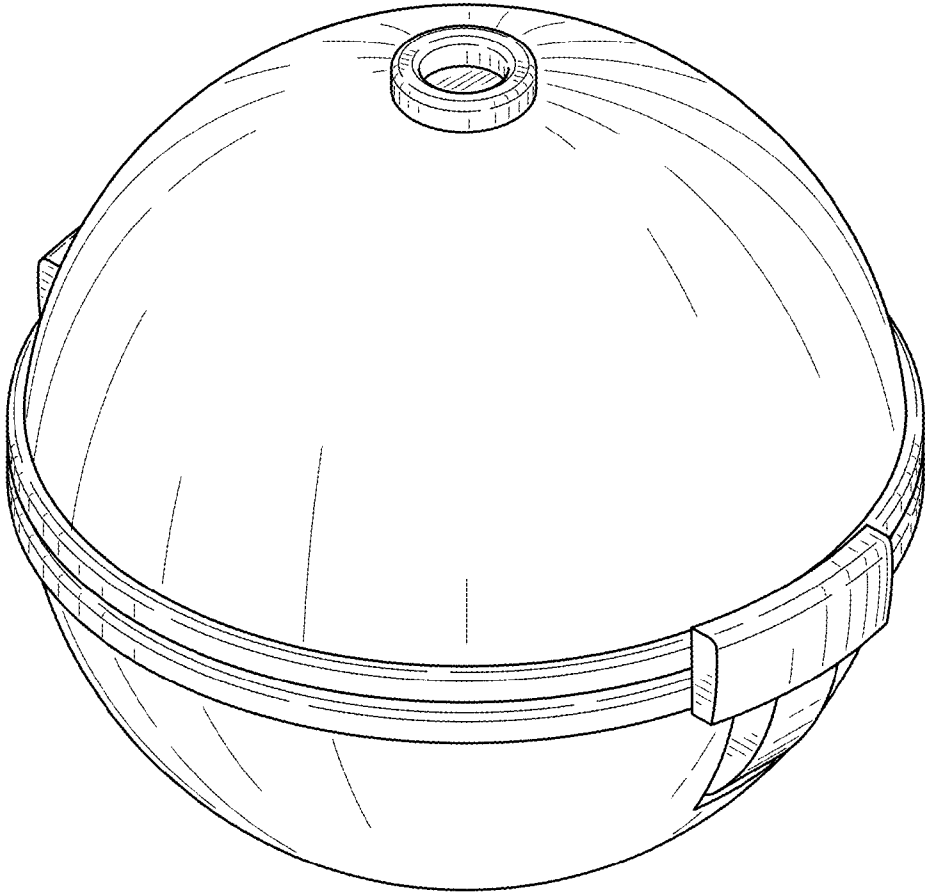


FIG. 1

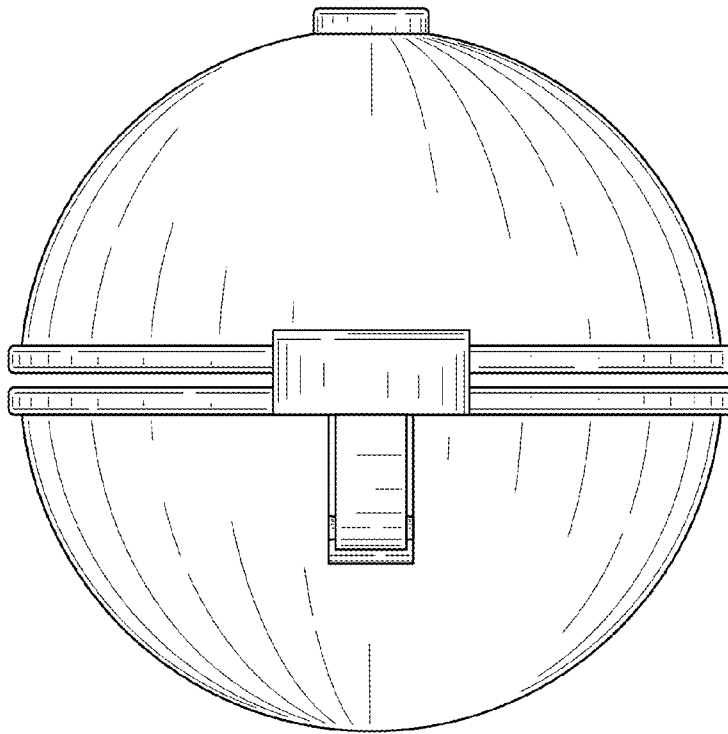


FIG. 2

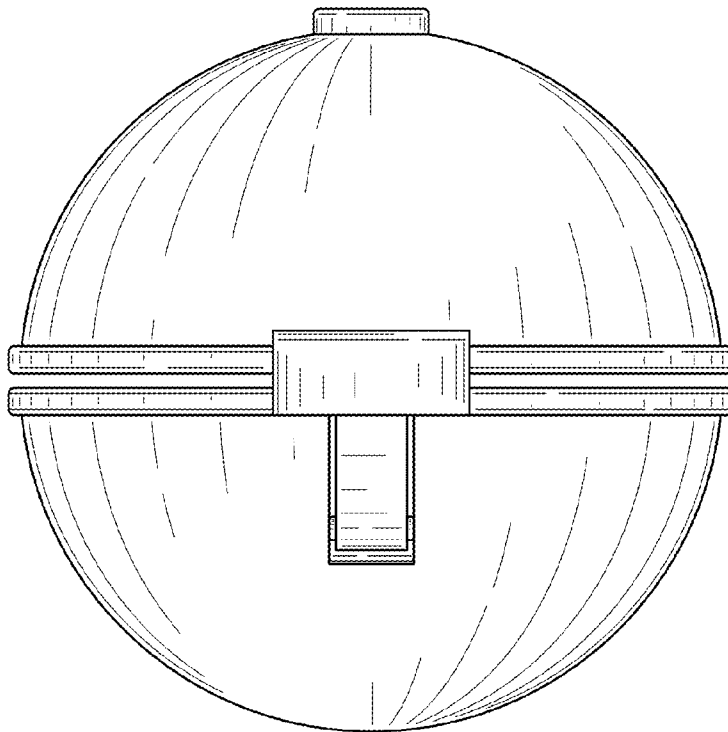


FIG. 3

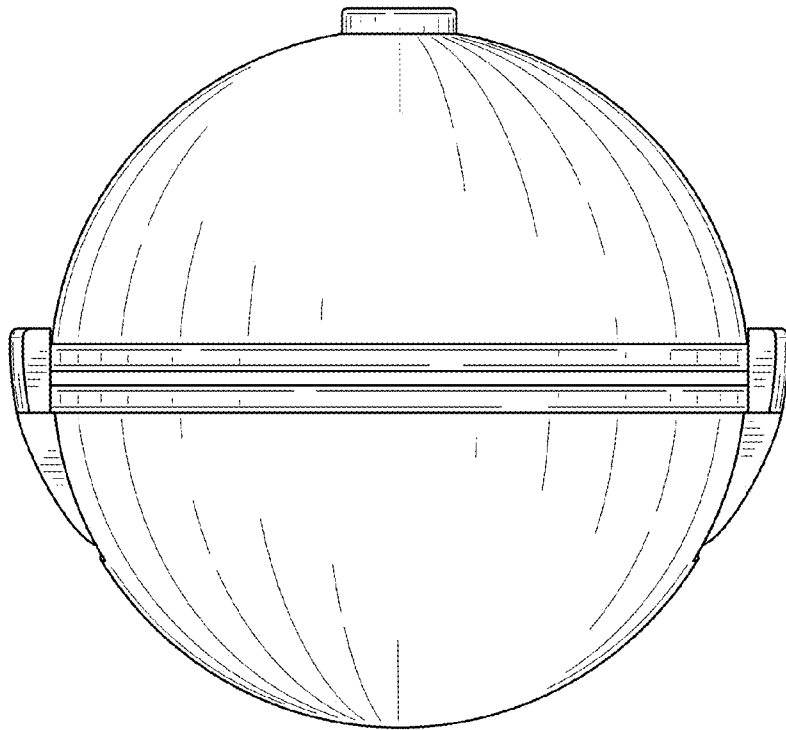


FIG. 4

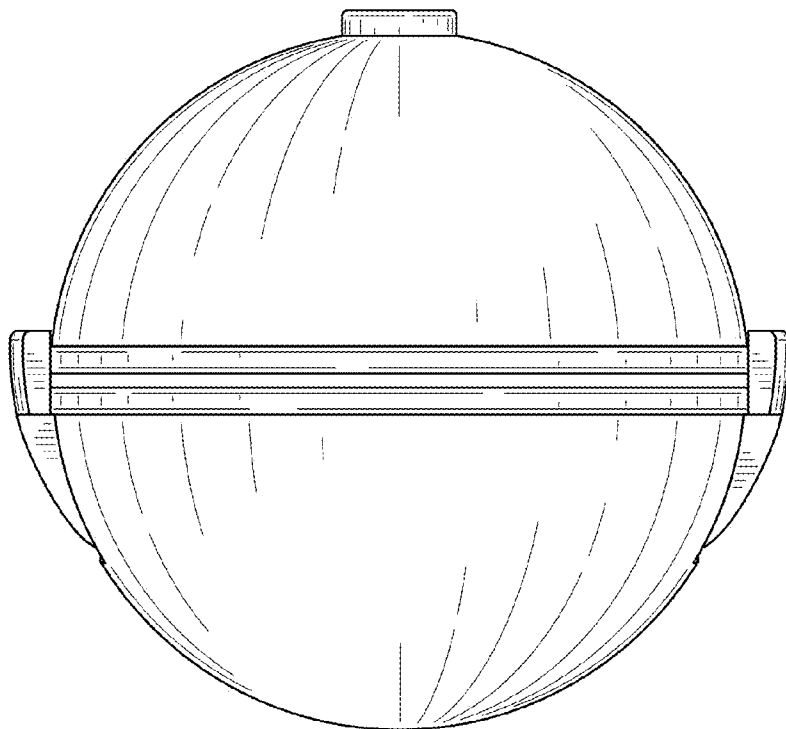


FIG. 5

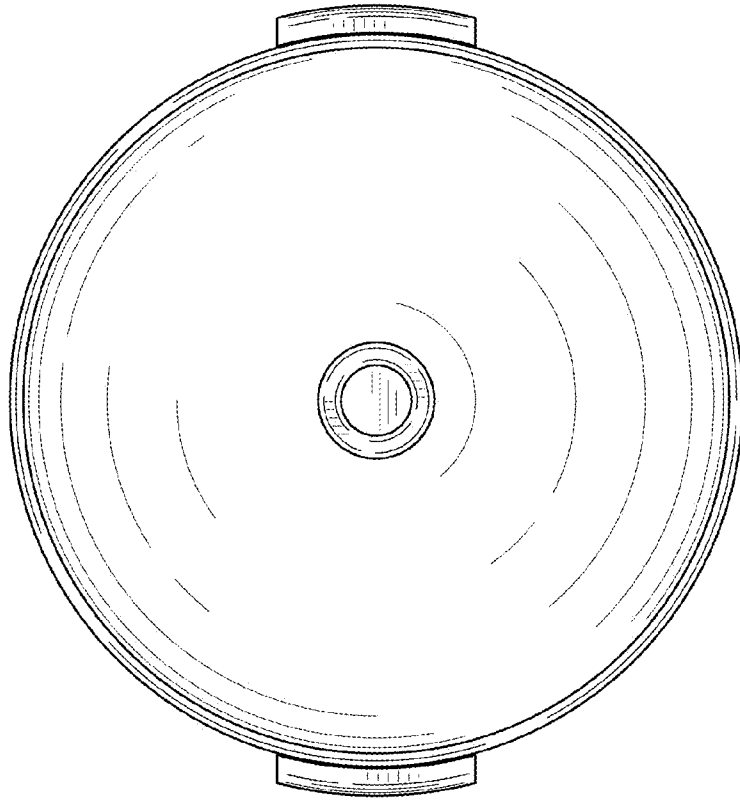


FIG. 6

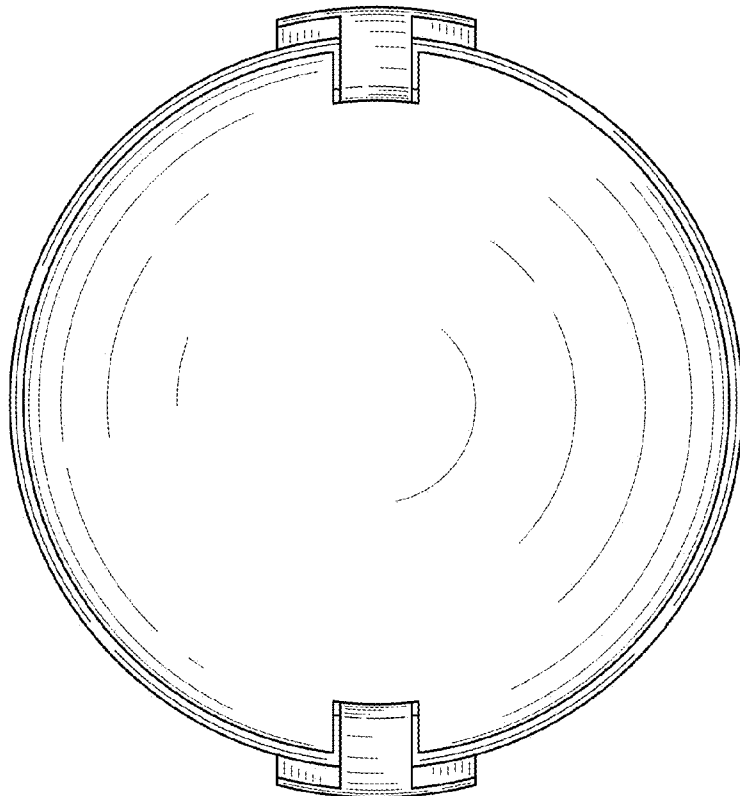


FIG. 7