



- (51) International Patent Classification:
F16L 17/06 (2006.01) F16L 23/16 (2006.01)
- (21) International Application Number:
PCT/US2015/027381
- (22) International Filing Date:
23 April 2015 (23.04.2015)
- (25) Filing Language: English
- (26) Publication Language: English
- (71) Applicant: GARLOCK PIPELINE TECHNOLOGIES, INC. [US/US]; 4990 Iris St., Wheat Ridge, CO 80033 (US).
- (72) Inventors: BANDER, Nicholas; 4990 Iris St., Wheat Ridge, CO 80033 (US). ROBERTSON, Patrick; 4990 Iris St., Wheat Ridge, CO 80033 (US). WITTEKIND, David; 4990 Iris St., Wheat Ridge, CO 80033 (US). TANNER, T., Scott; 4990 Iris St., Wheat Ridge, CO 80033 (US).
- (74) Agents: KINNEAR, Brian, P. et al.; Perkins Coie LLP, P.O. Box 1247, Seattle, WA 98111-1247 (US).

- (81) Designated States (unless otherwise indicated, for every kind of national protection available): AE, AG, AL, AM, AO, AT, AU, AZ, BA, BB, BG, BH, BN, BR, BW, BY, BZ, CA, CH, CL, CN, CO, CR, CU, CZ, DE, DK, DM, DO, DZ, EC, EE, EG, ES, FI, GB, GD, GE, GH, GM, GT, HN, HR, HU, ID, IL, IN, IR, IS, JP, KE, KG, KN, KP, KR, KZ, LA, LC, LK, LR, LS, LU, LY, MA, MD, ME, MG, MK, MN, MW, MX, MY, MZ, NA, NG, NI, NO, NZ, OM, PA, PE, PG, PH, PL, PT, QA, RO, RS, RU, RW, SA, SC, SD, SE, SG, SK, SL, SM, ST, SV, SY, TH, TJ, TM, TN, TR, TT, TZ, UA, UG, US, UZ, VC, VN, ZA, ZM, ZW.
- (84) Designated States (unless otherwise indicated, for every kind of regional protection available): ARIPO (BW, GH, GM, KE, LR, LS, MW, MZ, NA, RW, SD, SL, ST, SZ, TZ, UG, ZM, ZW), Eurasian (AM, AZ, BY, KG, KZ, RU, TJ, TM), European (AL, AT, BE, BG, CH, CY, CZ, DE, DK, EE, ES, FI, FR, GB, GR, HR, HU, IE, IS, IT, LT, LU, LV, MC, MK, MT, NL, NO, PL, PT, RO, RS, SE, SI, SK, SM, TR), OAPI (BF, BJ, CF, CG, CI, CM, GA, GN, GQ, GW, KM, ML, MR, NE, SN, TD, TG).

Published:
— with international search report (Art. 21(3))

(54) Title: SEALING SYSTEM HAVING INTERLOCKING INNER DIAMETER SEAL ELEMENT TO RESIST PRESSURE CHANGES

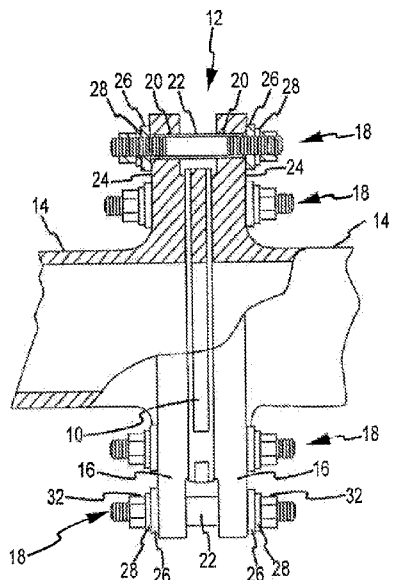


FIG. 1

(57) Abstract: Gasket seals for high pressure applications include retaining elements with inner diameter seal elements that interlock with the retaining element to provide resistance to movement in both axial and radial directions between the retaining element and seal element. High pressure sealing may be accomplished using a metallic core retaining element to which an electrically isolating material is bonded on either or both sides. Sealing is achieved through an inner diameter dielectric sealing element, such as a polytetrafluoroethylene (PTFE) inner diameter sealing ring. Flanges of a joint in a fluid flow line may be bolted together with the gasket seal interposed therebetween. In the event of pressure changes, the inner diameter seal resists being drawn into the flow line, and resists axial movement relative to the retaining element, through dual locking members that secure the seal to the retaining element.

WO 2016/171704 A1

Sealing System Having Interlocking Inner Diameter Seal Element to Resist Pressure Changes

FIELD

[0001] The present disclosure relates generally to an isolation gasket which is adapted to be interposed and compressed between joined pieces of pipe in a flow line that is operative for fluid flow therethrough without leakage. The seal device of the present disclosure is specifically adapted to resist pressure changes in a flow line through an inner diameter seal element that is interlocked to a retaining element.

BACKGROUND

[0002] Seal systems using gasket devices are well known and have been used in a variety of applications to prevent fluid from leaking between joined pieces. For example, a seal device is interposed and compressed between flanged end connections of a flow line. In some cases, in-line process control equipment is to be installed at various points in a flow line and may be associated with flanged end connections of a flow line. In-line process control equipment may include such things as valves, pumps, flow meters, temperature controllers, pressure controllers and the like. In addition, ends of pipe sections are provided with flanges so that the sections may be connected, end-to-end, to form the flow line. It is known to provide gasket devices at the interfaces of the joined sections to prevent leakage of the fluid at the joint.

[0003] Regardless of the nature of the joint, that is, whether it is between the joined sections of pipe or whether for some other purpose, such as, for example, joints used to connect in-line process control equipment, it is desirable for a gasket device and seal system to be selected based on various factors that are associated with a particular joint and the particular media that is conveyed through the joint. These factors include the corrosive nature of the media flowing through the pipe line as well as the physical characteristics of that flowing media. Such physical characteristics include the pressure, temperature and velocity of the media, as well as anticipated changes in the pressure (including a dramatic change in pressure due to rupture), temperature and velocity of the media. Additionally, in many cases it is also necessary to not only provide a reliable seal for the joint but to also electrically isolate one side of the joint from the other.

SUMMARY

[0004] The technology of the present application recognizes that a sealing system that can contain high pressures and provide an inner diameter seal element that can withstand significant changes in pressure would be a significant improvement in the field of effective flow line sealing. Embodiments disclosed herein provide sealing systems for high pressure applications. The sealing systems comprise one or more retaining elements having an inner diameter with one or more inner diameter seal elements. The inner diameter seal element(s) interlocks with an inner diameter portion of the retaining element(s) to provide resistance to movement in both axial and radial directions between the retaining element(s) and seal element(s). The retaining element(s) provide resistance to movement in both the outer and inner radial direction. In one aspect of the technology, high pressure sealing is accomplished using a metallic core retaining element to which an electrically isolating material may be bonded on either or both sides. Sealing is achieved through an inner diameter dielectric sealing element, such as a polytetrafluoroethylene (PTFE) inner diameter sealing ring. The inner diameter sealing ring may be a flat or profiled surface, such as, for example, a kammprofile. Flanges of the joint may be bolted together with the seal interposed therebetween. In the event of pressure changes, the inner diameter seal resists being drawn into the flow line and resists axial movement relative to the retaining element through the locking member(s) that secure the inner diameter seal element to the retaining element. In additional aspects, the technology may be provided with other configurations including, one or more backup seals in the retaining element, one or more backup seals in the inner diameter seal, and one or more compression limiters within either the inner diameter seal or the retaining element.

[0005] In one aspect, the technology of the present application provides a gasket seal apparatus for use between joined pieces in a flow line that is operative for fluid passage therethrough. The gasket seal comprises (A) a retaining ring having opposing side surfaces and an inner diameter opening formed therein, the retaining ring comprising: (i) a axial lock feature forming a circumferential groove on the inner diameter opening, and (ii) a radial lock feature forming a circumferential rim about the inner diameter opening; and (B) an inner diameter seal element having an inner seal surface, an outer seal surface, and a locking portion, the locking portion comprising: (i) a axial lock protrusion cooperatively engaged with the axial locking feature, and (ii) a hook cooperatively engaged with said radial locking feature, wherein the cooperative engagement of the axial lock protrusion and the axial lock feature and the hook with the radial lock feature substantially prevents relative axial and

radial movement between the retaining ring and the inner diameter seal element. The axial and radial locking features and members are interlocked so as to substantially prevent axial and radial movement between the retaining ring and the inner diameter seal element. The retaining ring may have a metal core and a layer of dielectric material disposed on at least one of said opposing side surfaces, or may be formed from a polyimide material, to provide just two examples. The retaining ring may further include a groove formed on each of the opposing side surfaces and a secondary seal element disposed in each of the grooves.

[0006] In one embodiment, the radial locking feature comprises a radially extended flanged surface and projection forming recess in the retaining ring and the radial locking member on the inner diameter sealing element comprises a complimentary flanged surface and projection forming a recess to allow interlocking of the retaining ring and locking member. The axial locking feature, in an embodiment, comprises a recess formed in the retaining ring and the axial locking member comprises a complimentary wedged or tapered shaped projection that extends into the recess. The inner seal surface may have a chevron-shaped pressure activated surface, for example.

[0007] In another aspect, the present disclosure provides a gasket seal apparatus for use between joined pieces in a flow line that is operative for fluid passage therethrough. The gasket seal comprises (A) a retaining ring comprising a core material having a core inner surface, a first side surface, and a second side surface opposing the first side surface, a first layer of surface material coating the first side surface and a second layer of surface material coating the second side surface, wherein: (i) the core material comprising a recess in the first side surface wherein said recess forms an inner diameter circumferential ring, (ii) the first layer of surface material comprising a circumferential groove in a first material inner surface, wherein the first material inner surface is placed radially outward of the core inner surface, and (iii) the second layer of surface material comprising a second material inner surface substantially aligned with the core inner surface; and (B) a seal element having an inner seal surface, an outer seal surface, a hook, and an axial lock protrusion, wherein: (i) the hook comprises a leg and a lip that form a recess with the outer seal surface such that the recess cooperatively engages the rim to prevent relative radial movement between the retaining ring and the seal element; and (ii) the axial lock protrusion extends from the leg of the hook and cooperatively engages the circumferential groove to prevent relative axial movement between the retaining ring and the seal element.

[0008] In still a further aspect, the present disclosure provides an isolation system that provides an interface between joined flange pieces, each having an inner and an outer face, in

a flow line that is operative for fluid passage therethrough, comprising: a gasket seal comprising (A) a retaining ring having opposing side surfaces and an inner diameter opening formed therein, the retaining ring having (i) an axial lock feature comprising a rectangular groove formed on said inner diameter opening, and (ii) a radial lock feature comprising a rectangular recess and rim formed on said inner diameter opening, and (B) a seal element having an inner seal surface and an outer seal surface, the outer seal surface comprising (i) an axial lock protrusion engaged with the rectangular groove, and (ii) a radial lock member engaged with the rectangular recess and the rim, wherein said axial and radial lock features and members are cooperatively engaged so as to substantially prevent relative axial and radial movement between said retaining ring and the seal element; at least one insulating sleeve receivable in an aligned bore formed in each joined flange piece, the sleeve having a length that is substantially equal to a distance between outer faces of the joined flange pieces with the gasket seal interposed therebetween; at least one elongate metal fastener having opposing ends, the fastener being receivable in the insulating sleeve for connecting joined flange pieces to one another with the gasket seal interposed therebetween; and at least one insulating washer receivable on the at least one elongate metal fastener abutting at least one of the flange piece outer faces. The metal fastener may further comprise a metal shaft threaded to receive a nut on at least one of the opposing ends. The retaining ring may further comprise a groove formed on each of the opposing side surfaces and a secondary seal element disposed in each of the grooves. The radial locking feature, in an embodiment, comprises a wedge-shaped recess formed in the retaining ring, and the radial locking member comprises a complimentary wedge-shaped projection that extends into the wedge-shaped recess. The axial locking feature, in an embodiment, comprises a semi-circular shaped recess formed in the retaining ring, and the axial locking member comprises a complimentary semi-circular shaped projection that extends into the semi-circular shaped recess.

[0009] These and other advantages and novel features of the disclosure will be set forth in part in the description which follows, which discloses various embodiments, including the currently preferred embodiment.

BRIEF DESCRIPTION OF THE DRAWINGS

[0010] FIG. 1 is a side view, partially in cross-section, showing an isolation gasket and sealing system according to a first exemplary embodiment of the present disclosure;

[0011] FIG. 2 is an enlarged side view in partial cross-section showing a representative nut and bolt set used with various insulating components for electrically isolating a flange joint for various exemplary embodiments;

[0012] FIG. 3 side cross-section view of one-half of a flange joint showing a gasket according to an exemplary embodiment;

[0013] FIG. 4 is a cross-sectional view of the inner-diameter sealing member of a gasket for an exemplary embodiment;

[0014] FIG. 5 is a cross-sectional view of a retaining member of an exemplary embodiment;

[0015] FIG. 6 is a cross-sectional view of a retaining member of another exemplary embodiment;

[0016] FIGS. 7A – 7C are cross-sectional views of pressure activated seal members according to several exemplary embodiments;

[0017] FIGS. 8A – 8D are cross-sectional views of seal members with different vertical locking elements according to several exemplary embodiments;

[0018] FIGS. 9A – 9C are cross-sectional views of seal members with different radial locking elements according to several exemplary embodiments;

[0019] FIG. 10 is a cross-sectional view of a retaining member of an exemplary embodiment; and

[0020] FIG. 11 is a cross-sectional view of the sealing member of a gasket for an exemplary embodiment.

DETAILED DESCRIPTION

[0021] For a more complete understanding of the technology of the present application, reference is now made to the following detailed description of several exemplary embodiments as illustrated in the drawing figures, in which like numbers represent the same or similar elements. Various embodiments are described herein, with specific examples provided in many instances to serve to illustrate and discuss various concepts included in the present disclosure. The specific embodiments and examples provided are not necessarily to be construed as preferred or advantageous over other embodiments and/or examples. Furthermore, concepts described herein may be used with numerous different variations of sealing gaskets and sealing systems. For example, an inner diameter seal may be used with a retaining member and secondary sealing elements and/or compression limiter such as

described in U.S. Patent No. 7,976,074, issued July 12, 2011, entitled "ISOLATION GASKET, SYSTEM, AND METHOD OF MANUFACTURE," the entire disclosure of which is incorporated herein by reference as if set out in full.

[0022] As mentioned above, the technology of the present application provides, among other things, a solution to problems that may occur with currently known inner-diameter seals in that the seal can collapse into the bore of the piping system during variations in piping pressure, including rapid decompression of the piping pressure, when a vacuum is pulled into the piping systems, and/or when suction is caused by the flow of the media past the seal. Having the seal collapse into the bore can cause significant problems as, in certain situations, when the system is repressurized the media will escape past the collapsed seal, come into contact with the retainer, and possibly escape to the environment or outside of the piping system. Further, the collapsed seal may be transported down the piping system where it may cause other problems such as obstructions with other piping components, damage or the like to moving components such as pumps or the like, contamination of processing systems, and/or jamming of pigging operations, to name a few.

[0023] The technology of the present application is generally directed to an isolation gasket adapted to be used in a joint that inhibits, prevents, or substantially reduces the likelihood of a seal collapse into the bore of the joint, which generically is in a piping system. Such joints may be a flange connection between two sections of pipeline, which are connected in end-to-end relation. In other aspects, the joint may be a connection used to connect monitoring equipment to the flow line, which may be flanged or other types of connections. Other joints may not include flanged surfaces as the above referenced conventional joints. Accordingly, the technology disclosed in the present application is described in reference to a conventional flanged connection such as, for example, the flanged connection used with end-to-end connection of a pair of pipeline sections, but it should be clearly understood that the present invention is not limited to such flanged connections.

[0024] With reference now to FIG. 1, a sealing gasket 10 is located in a flange connection 12 between two pipe sections 14 in a flow line application. Each of pipe sections 14 includes flanges 16 which may be placed in confronting relationship with gasket 10 therebetween. Flanges 16 are provided with bores 20 which align with one another so that flanges 16 may be connected by nut 32 and bolt 18 sets, as is known in the art.

[0025] With continued reference to FIG. 1, and with reference to FIG. 2, some embodiments provide for electrical isolation between flanges 16, which may be accomplished by a plurality of different components associated with each aligned pair of bores 20. In this

embodiment, a pair of aligned bores 20 is provided with a non-conductive sleeve 22 constructed, for example, of a glass reinforced polymer although other materials, such as epoxy, phenolic and nomex materials may be suitably employed. Sleeve 22 is dimensioned to have a length that is about the same as the distance between outer surfaces 24 of flanges 16 and the thickness of gasket 10 interposed therebetween. Once sleeve 22 has been inserted into a pair of aligned bores 20, insulating washers 26 are placed on either side of bores 20 on outer surfaces 24 of flanges 16. In this embodiment, optional metal washers 28 are then positioned against washer 26 and bolt 30 is passed through the washers and sleeve 22 after which it is secured by nuts 32. In some cases, the insulating washers 26 may have metallic cores for strength and the like such that the optional metal washers 28 are not necessary. This assembly is undertaken for each of the aligned bores 20 after which nuts 32 may be tightened to compress gasket 10 at a desired pressure. Rather than nuts 32 on opposing sides of the nut 32 and bolt 18 set, the bolt 18 may be provided with a head in place of one of the nuts 32.

[0026] To facilitate electrical isolation between the pipe sections 14, the gasket 10 may include an outer layer of a dielectric material. Thus, various embodiments described herein contemplate a gasket 10 having a dielectric coating on one or both sides, insulating washers 26, and non-conductive sleeves 22, to provide electrical isolation of separate pipe sections 14. The dielectric coating is only required to be on conductive portions of the gasket 10. Insulating washers 26, as illustrated in FIGS. 1-2, are positioned against outer surfaces 24 of flanges 16 and, in combination with sleeve 22, provide electrical isolation between the nut 32 and bolt 18 sets and the flanges 16. The insulating washers 26 may be metal core washers that are coated with a dielectric material. Similarly, the dielectric outer layer on the gasket 10 provides electrical isolation between the confronting flanges surfaces of flanges 16.

[0027] Figure 3 illustrates a cross-section of a portion of a flange connection having a gasket 50 consistent with the technology of the present application. The gasket 50 in this example includes a retaining ring 54 and an inner diameter seal element 58. The inner diameter seal element 58 is sized to fit within the inner diameter of the retaining ring 54. The retaining ring 54, in this embodiment, has a metal core 62 and a coating of material 66 on each side of the metal core 62. In other embodiments, the gasket 50 may have a non-metallic core for strength. When the gasket 50 has a non-metallic core, the coating of material 66 may not be necessary for electrical isolation. In one exemplary embodiment, the coating of material 66 is a dielectric material. The coating of material 66 may comprise a sealing material, such as polytrafluoroethylene (PTFE) or other fluorinated polymer to allow the coating material to act as a secondary seal should the seal element 58 fail. In another aspect,

the coating material 66 may be a copolymer PTFE, such as, a composite of PTFE and polyfluoroethylene (PFE). When the coating of material 66 is a dielectric material, the retaining ring 54 provides electrical isolation between flanges 70. The flanges 70 connect pipe sections 74, and include axial bores 78 that may receive bolts and nuts assemblies, such as the aforementioned bolts 18 and nuts 32, or other means to couple the joint components together under a compressive loading. To facilitate electrical isolation, isolation sleeves 22 may be provided along with isolation washers 26 to secure the flanges 70 together in a manner similar as described above with respect to Figs. 1 and 2. Alternatively, the bolts 18 and nuts 32 may be made from an electrically inert material. As can be appreciated now, on reading the disclosure and reviewing the figures, the seal element 58 comprises a dielectric or non-conducting material, such as, for example, the aforementioned PTFE or other fluorinated polymer to name but two potential compositions for the seal element 58.

[0028] In the embodiment of Fig. 3 the inner diameter seal element 58 and the retaining ring 54 include one or more locking mechanisms 55 that help secure the inner diameter seal element 58 to the retaining ring 54. Generally, the locking mechanism 55 includes a first portion on the retaining ring 54 and a second portion on the seal element 58 that couple to provide a lock between portions. The locking mechanisms 55 described in the present application may be interchangeable between the seal element 58 and the retaining ring 54 although the features may only be described on one or the other. Figure 4 illustrates a cross section of the inner diameter seal element 58 of this embodiment, and Fig. 5 illustrates a cross section of the retaining ring 54 of this embodiment. In the exemplary embodiment shown in Figs. 4 and 5, the retaining ring 54 includes a radial locking element 82 and an axial locking element 86. As used herein, the radial direction is along the radius of a cross section of the joint and the axial direction is along the media flow direction associated with the joint. The inner diameter seal element 58 includes a complimentary radial locking feature 90, and axial locking feature 94. In this manner, the radial locking element 82, and complimentary radial locking feature 90 interlock to help retain the inner diameter seal element 58 to the retaining ring 54 and prevent relative radial movement between the two. In prior designs without radial locking feature, pressure changes within the flow line could potentially result in an inner diameter seal delaminating from the associated retaining member and being drawn into the flow line, resulting in loss of seal at the flange joint, and possibly other undesirable consequences. The axial locking element 86, and complimentary axial locking feature 94 also interlock to help retain the inner diameter seal element 58 to the retaining ring 54 and prevent axial movement between the two. In this embodiment the radial locking element 82

and complimentary radial locking feature 90 are interlocked through an inclined, or wedge-shaped, surface, such that in order to disengage the radial locking element 82 and radial locking feature 90 the seal element 58 would need to be moved in an axial direction relative to the retaining ring 54. The axial locking element 86 and the axial locking feature 94 work to prevent such movement, thereby helping to keep the inner diameter seal element 58 engaged to the retaining ring 54, which also reduces the tendency of delamination between the inner diameter seal element 58 and the retaining ring 54. In such a manner, the complimentary radial and axial locking mechanisms between the inner diameter seal element 58 and the retaining ring 54 help to prevent the intrusion of the seal into the bore during pressure changes, such as negative pressure, rapid decompression or suction from the media that is flowing through the pipe sections 74.

[0029] The inner diameter seal element 58 may be formed from any of a number of sealing materials. In an exemplary embodiment, the seal element 58 is constructed of a chemically inert material, such as, PTFE that is held in place by the retaining ring 54. The inner diameter seal element 58, in an embodiment, is machined from a billet of PTFE material, although other types of material may be used, such as rubber or other types of elastomeric material. Also, instead of machining, the PTFE may be molded, extruded, or formed using other methods of formation. In the embodiment of Figs. 3 and 4, the inner face of inner diameter seal element 58 seal is made in a chevron style configuration that is pressure activated and effects sealing of the piping media between the flanges 70. In other words, the inner diameter seal element has an inner radial surface that forms a V or concave shape such that the pressure of the media being sealed provides a sealing force tending to straighten the inner radial surface and causing a sealing force to be applied. Of course, the inner diameter seal element 58 may have one of any number of different configurations that provide sealing of the piping media other than the V or concave shape, and a few examples of such V or concave configurations are illustrated in Figs. 7A through 7C. It will be readily recognized by one of skill in the art that the inner diameter sealing element 58 may have various other configurations that may be selected based on a particular application in which the seal is to be used.

[0030] The retaining ring 54 may be constructed of many various materials such as polyimide, glass reinforced epoxy, carbon steel, stainless steel, or a “sandwich” of steel with laminate material bonded on either side such as illustrated in Figs. 3 and 5. As can be appreciated, the retaining ring 54 is shown having flat opposed surfaces. In some aspects, the retaining ring 54 may be used as a secondary seal in which case the profile may be a

kammprofile comprising a series of ridges and grooves or a convex surface opposed to the relatively flat flanged surface shown in Fig. 3.

[0031] The retaining ring 54 may be machined, molded, or otherwise shaped with a corresponding shape as the outer surface of the inner diameter seal element 58 to accept the interlocking features of the inner diameter seal element 58. The retaining ring 54 may have a sufficient outer diameter to sit on the bolts of the flanges 70. Thus, to align the retaining ring 54, and hence the inner diameter sealing element, the retaining ring 54 is received on a bolt 18 (with or without an isolation sleeve 22). The retaining ring 54 acts, in this case, as a gasket centralizer to ensure the gasket 50 is properly aligned to the flange bore. In one exemplary embodiment, the retaining ring 54 is aligned to one of the flange 70 faces and the inner diameter seal element 58 is then assembled onto the retaining ring 54 to create the gasket 50 prior to securing the flanges 70 together with bolts through the axial bores 78 to create a seating stress acting on the lateral faces of the inner diameter seal element 58, thereby preventing media from escaping the assembly. If electrical isolation is required, then isolation sleeves and washers will be included in the package, similarly as described above with respect to Figs. 1 and 2.

[0032] In certain aspects of the technology disclosed herein, the retaining ring 54 may include one or more grooves that contain secondary seal elements and/or compression limiters. A retaining ring 100 of an exemplary embodiment is illustrated in Fig. 6. In this embodiment, the retaining ring 100, similarly as retaining ring 54, has a metal core 62 and a coating of material 66 on each side of the metal core 62 to provide electrical isolation between flanges in a flow line. The retaining ring 100 includes a groove 104 located on at least one side, and in some aspects on both sides as shown in figure 6, of the retaining ring 100. Notice the grooves 104 in the exemplary embodiment are shown as vertically aligned in the radial direction. In certain aspects, the grooves 104 may be offset in the radial direction. A secondary sealing element, such as an o-ring, an E-seal, a spring-energized PTFE lip seal, or the like may be placed in the groove or grooves 104 to provide a secondary, or fail safe, seal to prevent leakage in the event of the failure of the inner diameter seal element 58. In some embodiments, the secondary seal element is a metal seal, and a compression limiter is placed in the groove 104, similarly as described in above-noted U.S. Patent No. 7,976,074, the entire disclosure of which is incorporated herein by reference as if set out in full. The axially extending sides 105 of grooves 104 may be beveled at an angle between about 75 to 90 degrees, such as, for example, the radially outward side 105 as shown in figure 6. Such a beveled surface provides enhanced retention of a lip seal that may be disposed in one or both

of the grooves 104 such that when media applies pressure to the lip seal, the seal is pressured against the inside surface of the beveled groove 104 and thus forced into the groove 104. As will be understood, the dimensions of the embodiment of Fig. 6 are exemplary, and other suitable dimensions may be used in various different applications as will be readily apparent to one of skill in the art. In non-failure operation, the gasket 50, including either retaining ring 54 or 100, is installed in a joint, with the inner diameter sealing element 58 containing the media within the joint. In the event of a failure of the primary seal of sealing element 58, the secondary seal located in groove 104 may facilitate containment of the media within the joint.

[0033] As discussed above, embodiments of the present disclosure provide an inner diameter seal and retaining ring that are interlocked so as to prevent relative movement between the two. It will be readily recognized by one of skill in the art that the locking mechanisms between the seal and retaining ring may take on various different configurations. For example, Figs. 8A through 8D illustrate various different configurations that may be used to prevent axial movement between an inner diameter seal element and a retaining ring. Figs. 9A through 9C illustrate various different configurations that may be used to prevent radial movement between an inner diameter seal element and a retaining ring. It will be understood that any combination of these illustrated features, as well as other configurations, may be used to achieve enhanced physical locking of retaining rings and inner diameter seal elements. In various embodiments, gasket seals such as the types described include an adhesive between the retaining ring and seal element to secure the two together.

[0034] The retaining ring 54 with a curved or tapered surface such as axial locking element 86, which has a concave shape, and radial locking element 82, which has a tapered or angled shape, along with the axial locking feature 94, which is convex to mate with axial locking element 86, and radially locking feature 90, which is a wedge to mate with radial locking element 82, are provided in part to inhibit the inner diameter sealing element from buckling inwardly during seal expansion as a result of decompression or thermal changes. The interaction of the axial and radial locking elements and features, as shown in FIGs 4 and 5, provide a less than ideal reaction vector to resist the motion, which may result in delamination or the like of the gasket. As shown, the angled reaction vector would be at approximately 45 degrees whereas the groove and bead reaction vector would be at a tangent somewhere off the perpendicular. With reference now to FIGs. 10 and 11, a retaining ring 200 (FIG. 10) and an inner diameter seal element 250 (FIG. 11) are provided. The vertical and horizontal arrangements of the locking elements and features, as will be explained below,

provide improved resistance to relative movement as the reaction vectors are perpendicular to the direction of movement.

[0035] With specific reference to FIG. 10, the retaining ring 200 is shown in more detail. The retaining ring 200 has a height H_r , which will be explained further below. The retaining ring 200 comprises a core material 202, such as a metal or elastic material, and surface materials 204(1), 204(2) coated on opposing sides of the core material 202, although in certain aspects neither side or only one side of the core material 202 is coated. The coating material may be any material mentioned heretofore.

[0036] The retaining ring 200 provides a radial locking element 206. The radial locking element 206 comprises a rectangular recess 208 formed in the metal core 202. The recess 208 is formed in the metal core 202 a radial distance outward from the core inner surface 210 forming an inner rim 212 around the inner circumference of the metal core 202.

[0037] As shown in FIG. 10, the retaining ring 200 also comprises an axial locking element 214. The axial locking element 214 is a rectangular groove 216 formed in the surface material 204 adjacent the radial locking element 206. The rectangular groove 216, in this exemplary embodiment, is formed about the circumference of a first material inner surface 218 an axial distance from the core material to form a leg 220 that rests on the core material 202. The first material inner surface 218 is formed in surface material 204(1). A second material inner surface 222 is formed in the surface material 204(2) on the opposite side of the core material 202. The first material inner surface 218 is offset radially outward from the second material inner surface 222. The second material inner surface 222 is aligned with the core inner surface 210. The first material inner surface 218 is offset radially outward from the second material inner surface 222 by the distance of the inner rim 212 plus the distance of the recess 208 formed in the metal core 202.

[0038] With specific reference now to FIG. 11, the inner diameter seal element 250 is shown in more detail. The inner diameter seal element 250 has a height H_s that is greater than H_r . Providing that the inner diameter seal element 250 has a height H_s greater than the height H_r of the retaining ring 200 provides a number of benefits. One benefit relates to ensuring compression of the inner diameter seal element 250 by the confronting flanges surfaces that facilitates a positive seal being formed. Another benefit includes providing for a controlled compression expansion. In other words, when compressed axially, the inner diameter seal element 250 attempts to expand radially. The retaining ring 200 inhibits outward radial expansion such that the inner diameter seal element 250 tends to radially expand inwardly. The radially inwardly expansion decreases the volume void ratio such that

the seal bore is a closer size alignment with the joint bore, which improves corrosion resistance to name one benefit. The inner diameter seal element 250 has an inner surface 252. The inner surface 252 is chevron shaped as discussed above such that media pressure on the inner surface 252 applies force as shown by arrows A tending to seat the inner diameter seal element 250 against the flanges (not shown in figures 10 and 11). The chevron or generally concave shape(s) and the like may be considered a surface to be inwardly converging to a point internal to the surface, which in this case is the center point.

[0039] The inner diameter seal element 250 has a locking portion 254 that comprises parts corresponding to the radial locking element 206 and the axial locking element 214 of the retaining element 202. The locking portion 254 comprises a hook 256 that hooks about the rim 212 described above. The hook 256 may be considered the radial lock for this aspect of the technology. The hook 256 of the locking portion 254 comprises a leg 258 and a lip 260 that together form a recess 262. The recess 262 is sized to fit the inner rim 212. The leg 258 is sized to fit within the rectangular recess 208. The lip 260 extends along the core inner surface 210 and the second material inner surface 222. In one aspect, the inward radial movement is resisted by a surface to surface contact.

[0040] The locking portion 254 also comprises an axial lock protrusion 264. The axial locking protrusion 264 is sized to fit within the rectangular groove 216 and is generally protruding from the leg 258 rather than the lip 260. The axial locking protrusion 264 forms a circumferential shelf surface 264_s that abuts at least one wall of the rectangular groove 216. As shown, the axial locking protrusion 264 is formed as a wedge having a triangular cross section. The wedge shape facilitates the axial locking protrusion 264 engaging with the rectangular groove 216. The circumferential shelf surface 264_s is generally downstream facing to provide a surface to surface resistance to axial movement. The wedge shape facilitates insertion of the axial locking protrusion 264, but the axial locking protrusion 264 could have a shape sized to cooperatively fit into the rectangular groove 216, *e.g.*, be a block shape for example.

[0041] As will be appreciated by those skilled in the art, industries such as the oil and gas industry, utilize many, many miles of connected metal pipelines that are subjected, for example, to a natural flow of current through the pipeline and across the metal-to-metal flange connections in the pipeline which causes the flange connections to corrode and build up corrosion similar to battery terminals. The isolation gasket for embodiments of the invention interrupts that current flow through a pipeline and prevents the flanges from

corroding and building up corrosion in the way in which they would with a metal-to-metal seal.

[0042] A method of making the gasket material for embodiments of the invention involves bonding the dielectric lining material to both sides of the metal substrate in large sheets to assure uniformity of the lamination. According to such a method, a water jet is thereafter utilized to cut appropriately dimensioned I.D and O.D. circles for gaskets out of the large sheets, and the locking elements are formed on the inner diameter circle of the cut-out circular gasket material, for example, with the circular gasket material mounted on a lathe. The resulting isolation gasket for embodiments of the invention has the stability and/or rigidity of a metal gasket with a stainless steel core having excellent corrosion resistance properties, while the glass reinforced epoxy laminated to the opposing surfaces of the gasket provides excellent insulating properties, and the locking elements provide that an inner diameter seal may be interlocked thereto. Grooves may be cut into the circular gasket material using a lathe, as well, in embodiments that use grooves for secondary sealing elements.

[0043] The previous description of the disclosed embodiments is provided to enable a person skilled in the art to make or use the present invention. Various modifications to these embodiments will be readily apparent to those skilled in the art, and the generic principles defined herein may be applied to other embodiments without departing from the spirit or scope of the invention. Thus, the present invention is not intended to be limited to the embodiments shown herein but is to be accorded the widest scope consistent with the principles and novel features disclosed herein.

WHAT IS CLAIMED IS:

1. A seal apparatus for use between joined pieces in a flow line that is operative to contain fluid therein, comprising:

(A) a retaining ring having opposing side surfaces and an inner diameter opening formed therein, the retaining ring comprising:

(i) a axial lock feature forming a circumferential groove on the inner diameter opening, and

(ii) a radial lock feature forming a circumferential rim about the inner diameter opening; and

(B) an inner diameter seal element having an inner seal surface, an outer seal surface, and a locking portion, the locking portion comprising:

(i) a axial lock protrusion cooperatively engaged with the axial lock feature, and

(ii) a hook cooperatively engaged with said radial lock feature,

wherein the cooperative engagement of the axial lock protrusion and the axial lock feature and the hook with the radial lock feature substantially prevents relative axial and radial movement between the retaining ring and the inner diameter seal element.

2. The gasket seal apparatus as claimed in claim 1, wherein the inner diameter seal element has a first height and the retaining ring has a second height less than the first height to allow compression of the inner diameter seal.

3. The gasket seal apparatus as claimed in claim 1, wherein the retaining ring comprises a metal core having opposed side surfaces and a layer of dielectric material disposed on at least one of said opposing side surfaces.

4. The gasket seal apparatus as claimed in claim 3, wherein the layer of dielectric material is disposed on both opposing side surfaces of the metal core material

5. The gasket seal apparatus of claim 1, wherein the retaining ring comprises a metal core and a layer of surface material disposed on each of the opposing side surfaces wherein the layer of surface material forms a secondary seal.

6. The gasket seal apparatus as claimed in claim 1, wherein said retaining ring is formed from a polyimide material.

7. The gasket seal apparatus as claimed in claim 1, wherein said retaining ring further comprises a groove formed on each of said opposing side surfaces and a secondary seal element disposed in each of said grooves.

8. The gasket seal apparatus as claimed in claim 3, wherein the circumferential groove of the axial lock feature is a rectangular groove formed in the layer of dielectric material on only one side of the metal core and wherein the axial lock protrusion comprises a wedge-shaped projection that extends into said rectangular groove.

9. The gasket seal apparatus as claimed in claim 1, wherein the hook comprises a leg and a lip such that a recess is formed therebetween, and the recess is sized to cooperative engage the circumferential rim.

10. The gasket seal apparatus as claimed in claim 1, wherein the inner seal surface comprises an inwardly converging surface that is pressure activated.

11. A gasket assembly for use at a joint between confronting flanged surfaces, comprising:

(A) a retaining ring comprising a core material having a core inner surface, a first side surface, and a second side surface opposed to the first side surface, a first layer of surface material coating the first side surface and a second layer of surface material coating the second side surface, wherein:

(i) the core material comprising a recess in the first side surface wherein said recess forms an inner diameter circumferential rim,

(ii) the first layer of surface material comprising a circumferential groove in a first material inner surface, wherein the first material inner surface is placed radially outward of the core inner surface, and

(iii) the second layer of surface material comprising a second material inner surface substantially aligned with the core inner surface; and

(B) a seal element having an inner seal surface, an outer seal surface, a hook, and an axial lock protrusion, wherein:

(i) the hook comprises a leg and a lip that form a recess, wherein the recess cooperatively engages the circumferential rim to prevent relative radial movement between the retaining ring and the seal element; and

(ii) the axial lock protrusion extends from the leg of the hook and cooperatively engages the circumferential groove to prevent relative axial movement between the retaining ring and the seal element.

12. The gasket seal apparatus as claimed in claim 11, wherein the retaining ring is formed from a polyimide material.

13. The gasket seal apparatus as claimed in claim 11, wherein said retaining ring further comprises:

a groove formed on in the first and second surfaces of the metal core and in the first and second layers of surface material; and

a secondary seal element disposed in each of said grooves.

14. The gasket seal apparatus as claimed in claim 11, wherein said inner seal surface comprises inwardly converging surfaces that are pressure activated.

15. An isolation system that provides an interface between joined flange pieces, each having an inner and an outer face, comprising:

a gasket seal comprising (A) a retaining ring having opposing side surfaces and an inner diameter opening formed therein, the retaining ring having (i) an axial lock feature comprising a rectangular groove formed on said inner diameter opening, and (ii) a radial lock feature comprising a rectangular recess and rim formed on said inner diameter opening, and (B) a seal element having an inner seal surface and an outer seal surface, the outer seal surface comprising (i) an axial lock member engaged with the rectangular groove, and (ii) a radial lock member engaged with the rectangular recess and the rim, wherein said axial and radial lock features and members are cooperatively engaged so as to substantially prevent relative axial and radial movement between the retaining ring and the seal element;

at least one insulating sleeve receivable in an aligned bore formed in each joined flange piece, said sleeve having a length that is substantially equal to a distance between outer faces of the joined flange pieces with said gasket seal interposed therebetween;

at least one elongate metal fastener having opposing ends, said fastener being receivable in said insulating sleeve for connecting joined flange pieces to one another with said gasket seal interposed therebetween; and

at least one insulating washer receivable on said at least one elongate metal fastener abutting at least one of the flange piece outer faces.

16. The isolation system of claim 15, wherein said metal fastener further comprises at least a nut and a metal shaft threaded to receive the nut on at least one of said opposing ends.

17. The isolation system of claim 15, wherein said retaining ring further comprises a groove formed on each of said opposing side surfaces and a secondary seal element disposed in each of said grooves.

18. The isolation system of claim 15, wherein said radial locking feature comprises a wedge-shaped recess formed in said retaining ring, and said radial locking member comprises a complimentary wedge-shaped projection that extends into said wedge-shaped recess.

19. The isolation system of claim 15, wherein said axial locking feature comprises a semi-circular shaped recess formed in said retaining ring, and said axial locking member comprises a complimentary semi-circular shaped projection that extends into said semi-circular shaped recess.

20. The isolation system of claim 15, wherein said inner seal surface comprises a chevron-shaped pressure activated surface.

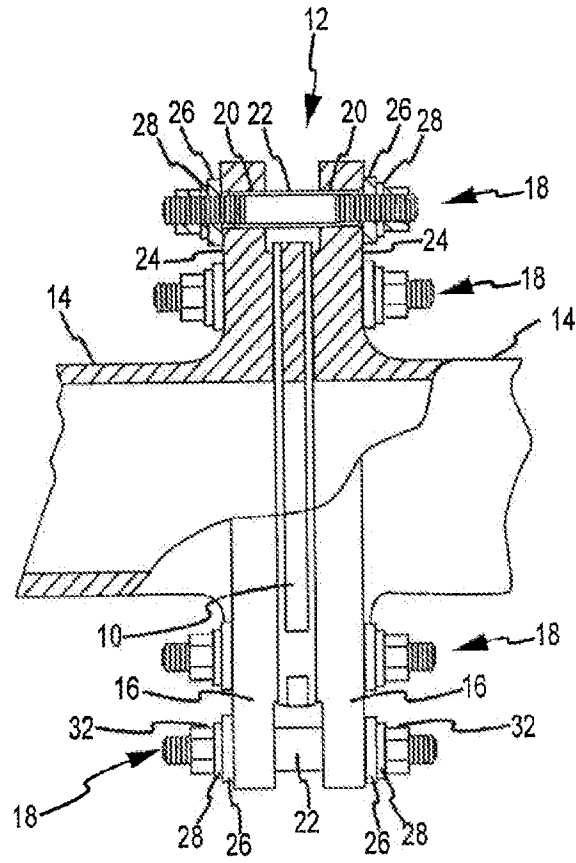


FIG. 1

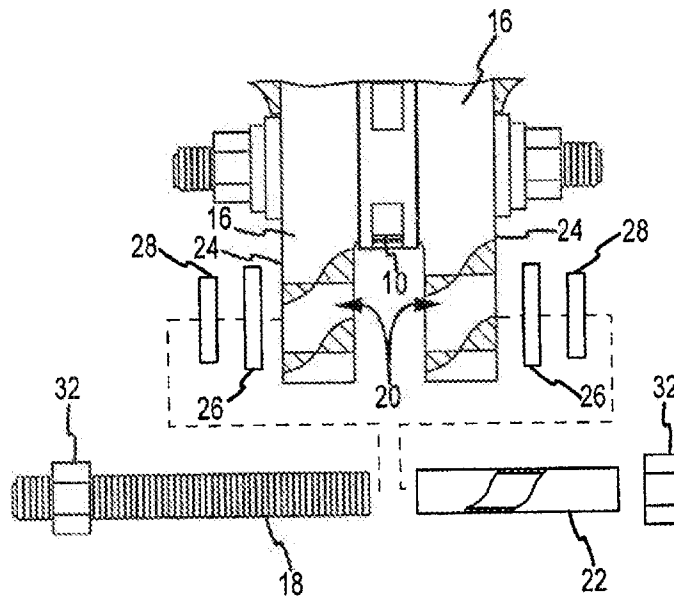


FIG.2

4/10

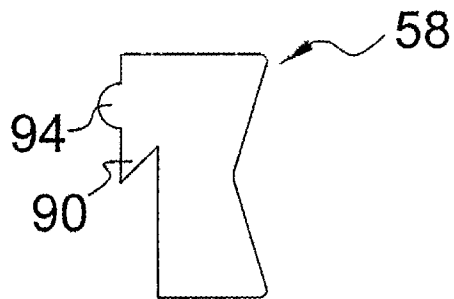


FIG. 4

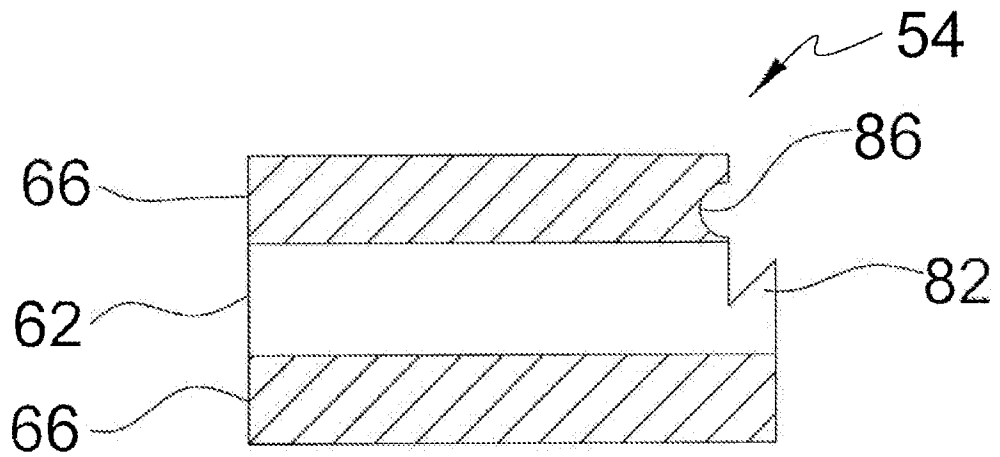


FIG. 5

6/10

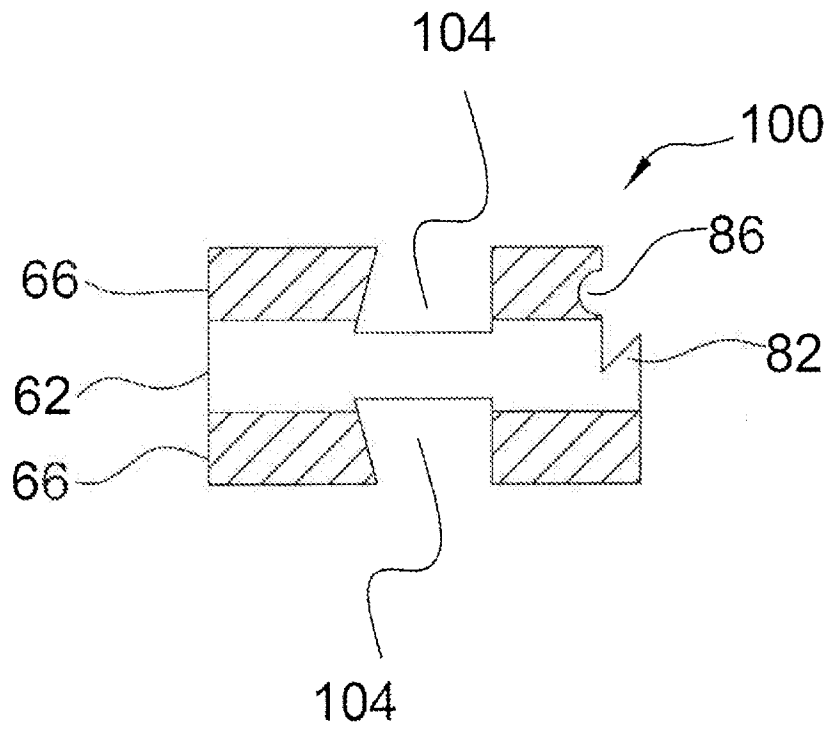


FIG. 6

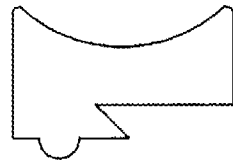


FIG. 7C

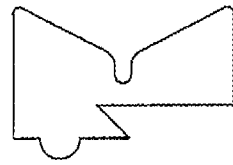


FIG. 7B

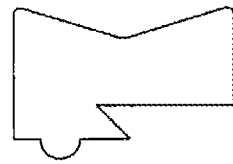


FIG. 7A

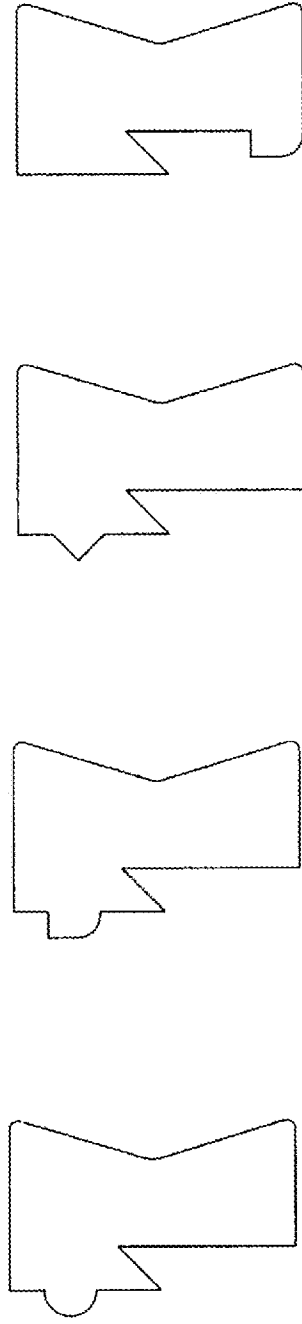


FIG. 8A FIG. 8B FIG. 8C FIG. 8D

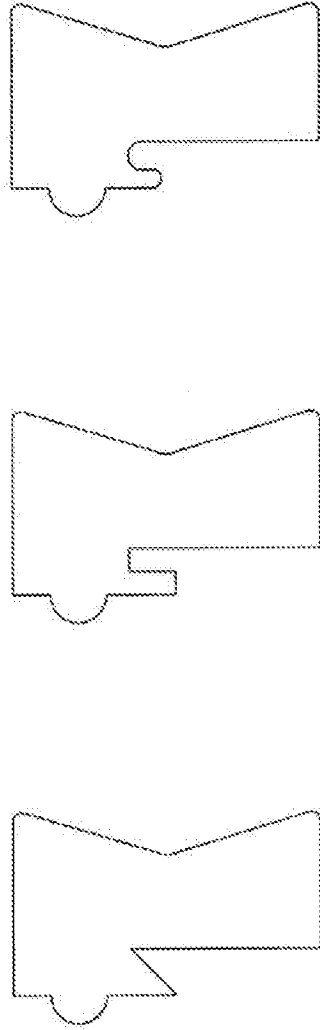


FIG. 9A FIG. 9B FIG. 9C

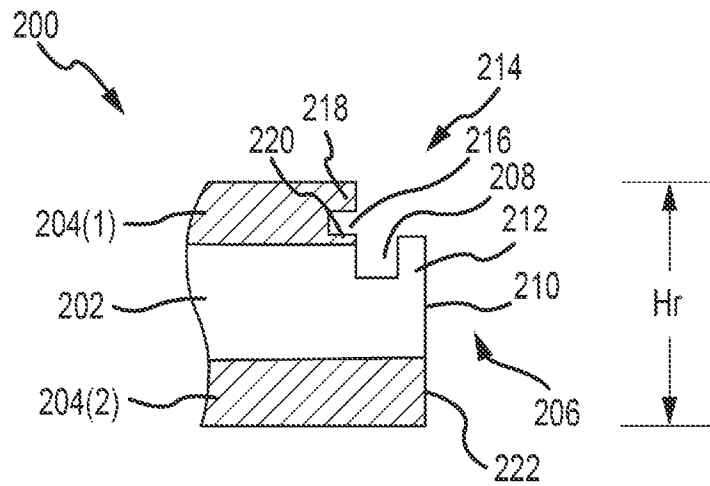


FIG. 10

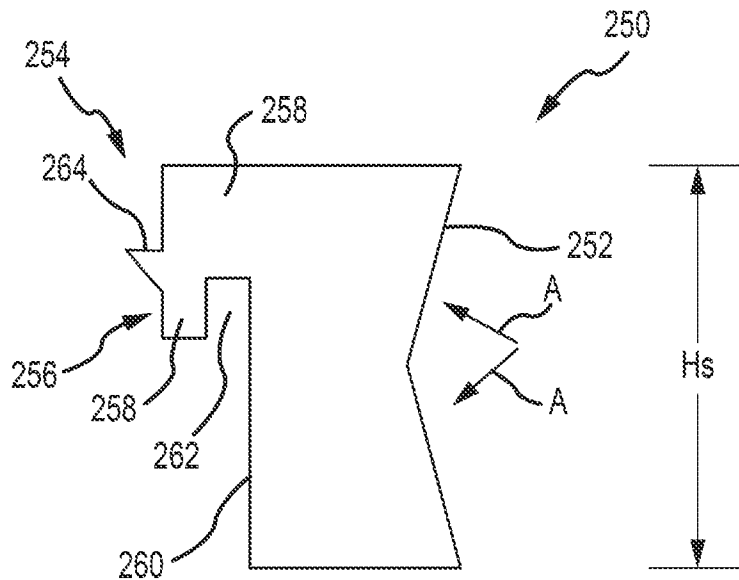


FIG. 11

A. CLASSIFICATION OF SUBJECT MATTER**F16L 17/06(2006.01)i, F16L 23/16(2006.01)i**

According to International Patent Classification (IPC) or to both national classification and IPC

B. FIELDS SEARCHEDMinimum documentation searched (classification system followed by classification symbols)
F16L 17/06; F16L 58/00; F16J 15/12; F16L 5/02; F16J 15/06; F16L 21/02; F16L 23/16Documentation searched other than minimum documentation to the extent that such documents are included in the fields searched
Korean utility models and applications for utility models
Japanese utility models and applications for utility modelsElectronic data base consulted during the international search (name of data base and, where practicable, search terms used)
eKOMPASS(KIPO internal) & keywords: retaining ring, axial lock, radial lock, seal, dielectric material, insulating sleeve, and fastener**C. DOCUMENTS CONSIDERED TO BE RELEVANT**

Category*	Citation of document, with indication, where appropriate, of the relevant passages	Relevant to claim No.
X	US 6402159 B1 (KOHN, GARY A.) 11 June 2002 See abstract, column 4, line 31 - column 5, line 64, and figures 1-2B.	1-2, 6, 9-10, 15-16 , 18-20
Y		3-5, 7-8, 11-14, 17
Y	US 2011-0266755 A1 (ANDERSON et al.) 03 November 2011 See abstract, paragraphs [0024]-[0028], and figures 1-7.	3-5, 7-8, 11-14, 17
A	US 4776600 A (KOHN, GARY A.) 11 October 1988 See abstract, column 2, line 26 - column 3, line 22, and figures 1-4.	1-20
A	US 2006-0220324 A1 (ANDERSON et al.) 05 October 2006 See abstract, paragraphs [0031]-[0035], and figures 1-5.	1-20
A	US 2008-0111313 A1 (PUTCH, SAMUEL W.) 15 May 2008 See abstract, paragraphs [0022]-[0027], and figures 1-2.	1-20

 Further documents are listed in the continuation of Box C. See patent family annex.

* Special categories of cited documents:

"A" document defining the general state of the art which is not considered to be of particular relevance

"E" earlier application or patent but published on or after the international filing date

"L" document which may throw doubts on priority claim(s) or which is cited to establish the publication date of another citation or other special reason (as specified)

"O" document referring to an oral disclosure, use, exhibition or other means

"P" document published prior to the international filing date but later than the priority date claimed

"T" later document published after the international filing date or priority date and not in conflict with the application but cited to understand the principle or theory underlying the invention

"X" document of particular relevance; the claimed invention cannot be considered novel or cannot be considered to involve an inventive step when the document is taken alone

"Y" document of particular relevance; the claimed invention cannot be considered to involve an inventive step when the document is combined with one or more other such documents, such combination being obvious to a person skilled in the art

"&" document member of the same patent family

Date of the actual completion of the international search

06 January 2016 (06.01.2016)

Date of mailing of the international search report

07 January 2016 (07.01.2016)

Name and mailing address of the ISA/KR

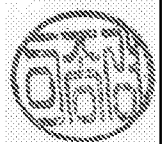
International Application Division
Korean Intellectual Property Office
189 Cheongsu-ro, Seo-gu, Daejeon, 35208, Republic of Korea

Facsimile No. +82-42-472-7140

Authorized officer

LEE, Jong Kyung

Telephone No. +82-42-481-3360



INTERNATIONAL SEARCH REPORT

Information on patent family members

International application No.

PCT/US2015/027381

Patent document cited in search report	Publication date	Patent family member(s)	Publication date
US 6402159 B1	11/06/2002	None	
US 2011-0266755 A1	03/11/2011	AR 071097 A1 CN 102027280 A CN 102027280 B DK 2271866 T3 EA 019245 B1 EA 201001560 A1 EP 2271866 A1 EP 2271866 A4 EP 2271866 B1 EP 2698573 A1 EP 2698573 B1 ES 2444426 T3 HR P20140117 T1 PT 2271866 E SI 2271866 T1 US 2009-0243290 A1 US 7976074 B2 US 8678398 B2 WO 2009-121013 A1	26/05/2010 20/04/2011 13/11/2013 24/02/2014 28/02/2014 30/06/2011 12/01/2011 16/01/2013 01/01/2014 19/02/2014 09/09/2015 25/02/2014 25/04/2014 20/02/2014 30/04/2014 01/10/2009 12/07/2011 25/03/2014 01/10/2009
US 4776600 A	11/10/1988	None	
US 2006-0220324 A1	05/10/2006	AR 053205 A1 AT 455996 T CA 2604849 A1 EP 1869356 A1 EP 1869356 B1 WO 2006-107798 A1	25/04/2007 15/02/2010 12/10/2006 26/12/2007 20/01/2010 12/10/2006
US 2008-0111313 A1	15/05/2008	CA 2616361 A1 CA 2616361 C GB 2441731 A GB 2441731 B US 2007-0024007 A1 US 2008-0029971 A1 US 2010-0127461 A1 US 7624991 B2 US 7703773 B2 WO 2007-016021 A2 WO 2007-016021 A3 WO 2007-016021 B1	08/02/2007 27/11/2012 12/03/2008 23/12/2009 01/02/2007 07/02/2008 27/05/2010 01/12/2009 27/04/2010 08/02/2007 20/09/2007 22/11/2007