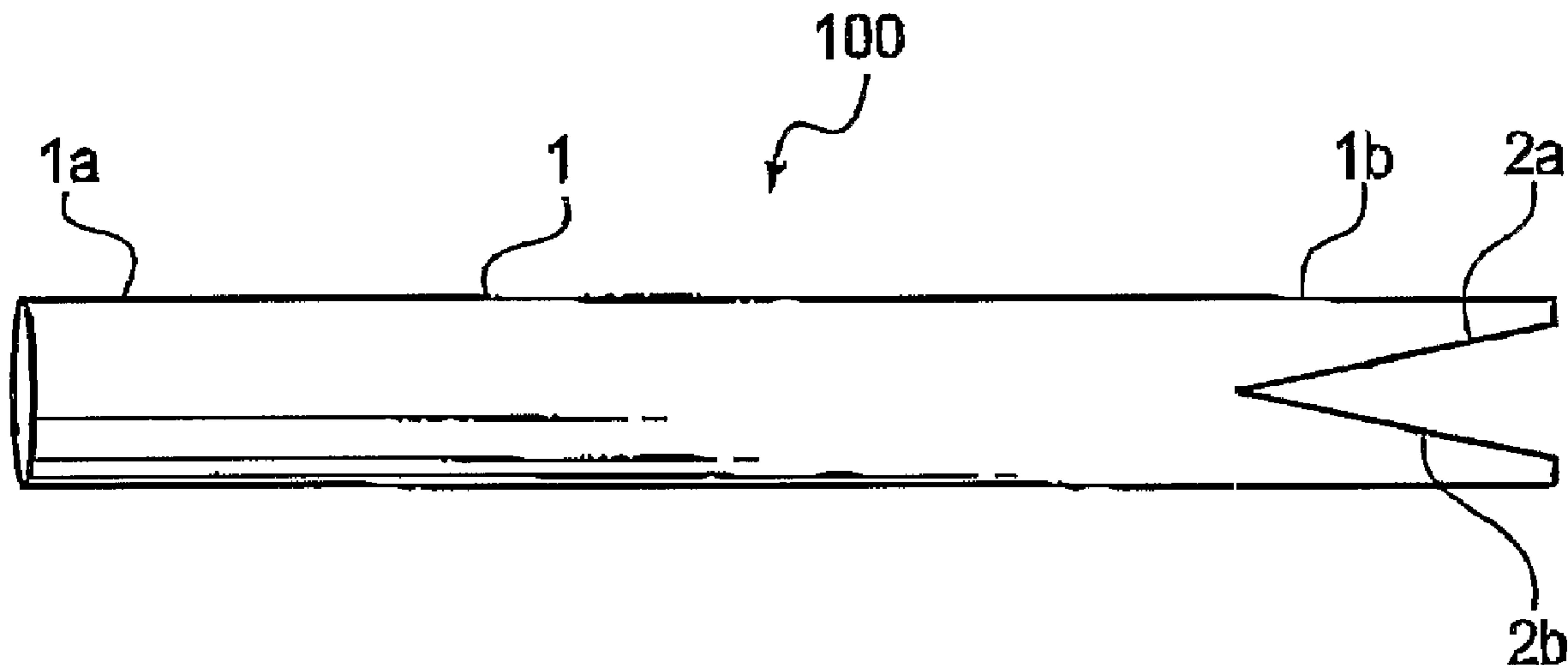




(86) Date de dépôt PCT/PCT Filing Date: 2003/07/31
 (87) Date publication PCT/PCT Publication Date: 2004/02/19
 (45) Date de délivrance/Issue Date: 2011/04/12
 (85) Entrée phase nationale/National Entry: 2005/01/28
 (86) N° demande PCT/PCT Application No.: US 2003/024187
 (87) N° publication PCT/PCT Publication No.: 2004/014234
 (30) Priorité/Priority: 2002/07/31 (US60/400,023)

(51) Cl.Int./Int.Cl. *A61B 17/34* (2006.01),
A61B 19/00 (2006.01)
 (72) Inventeurs/Inventors:
WHITMAN, MICHAEL P., US;
DORROS, GERALD, US;
HILL, JEREMY, US
 (73) Propriétaire/Owner:
TYCO HEALTHCARE GROUP LP, US
 (74) Agent: MCFADDEN, FINCHAM

(54) Titre : DISPOSITIF INTRODUCTEUR POUR ORIFICES
 (54) Title: ORIFICE INTRODUCER DEVICE



(57) Abrégé/Abstract:

An orifice introducer device for introducing, e.g., a surgical device, into, e.g., an orifice of a body, includes a tubular member having a distal end and a proximal end. The distal end is adjustable between a first position for insertion into an orifice and a second position once inserted into the orifice. Alternatively, the orifice introducer device includes a distal portion having a proximal end configured to be detachably secured to the distal end of the tubular member. The distal portion is selectively detachable when the orifice introducer device is positioned in the orifice.

(12) INTERNATIONAL APPLICATION PUBLISHED UNDER THE PATENT COOPERATION TREATY (PCT)

(19) World Intellectual Property
Organization
International Bureau



(43) International Publication Date
19 February 2004 (19.02.2004)

PCT

(10) International Publication Number
WO 2004/014234 A3

(51) International Patent Classification⁷: A61B 17/34

(21) International Application Number:

PCT/US2003/024187

(22) International Filing Date: 31 July 2003 (31.07.2003)

(25) Filing Language: English

(26) Publication Language: English

(30) Priority Data:

60/400,023 31 July 2002 (31.07.2002) US

(71) Applicant: POWER MEDICAL INTERVENTIONS,
INC. [US/US]; 110 Union Square Drive, New Hope, PA
18938 (US).

(72) Inventors: WHITMAN, Michael, P.; 16 Pheasant Run,
New Hope, PA 18938 (US). DORROS, Gerald; 25933
North 108th Place, Scottsdale, AZ 85255 (US). HILL,
Jeremy; 12 Sandy Beach Road, Middlebury, CT 06762
(US).

(74) Agents: BIRDE, Patrick, J. et al.; Kenyon & Kenyon,
One Broadway, New York, NY 10004 (US).

(81) Designated States (*national*): AE, AG, AL, AM, AT, AU,
AZ, BA, BB, BG, BR, BY, BZ, CA, CH, CN, CO, CR, CU,
CZ, DE, DK, DM, DZ, EC, EE, ES, FI, GB, GD, GE, GH,
GM, HR, HU, ID, IL, IN, IS, JP, KE, KG, KP, KR, KZ, LC,
LK, LR, LS, LT, LU, LV, MA, MD, MG, MK, MN, MW,
MX, MZ, NI, NO, NZ, OM, PG, PH, PL, PT, RO, RU, SC,
SD, SE, SG, SK, SL, SY, TJ, TM, TN, TR, TT, TZ, UA,
UG, UZ, VC, VN, YU, ZA, ZM, ZW.

(84) Designated States (*regional*): ARIPO patent (GH, GM,
KE, LS, MW, MZ, SD, SL, SZ, TZ, UG, ZM, ZW),
Eurasian patent (AM, AZ, BY, KG, KZ, MD, RU, TJ, TM),
European patent (AT, BE, BG, CH, CY, CZ, DE, DK, EE,
ES, FI, FR, GB, GR, HU, IE, IT, LU, MC, NL, PT, RO,
SE, SI, SK, TR), OAPI patent (BF, BJ, CF, CG, CI, CM,
GA, GN, GQ, GW, ML, MR, NE, SN, TD, TG).

Published:

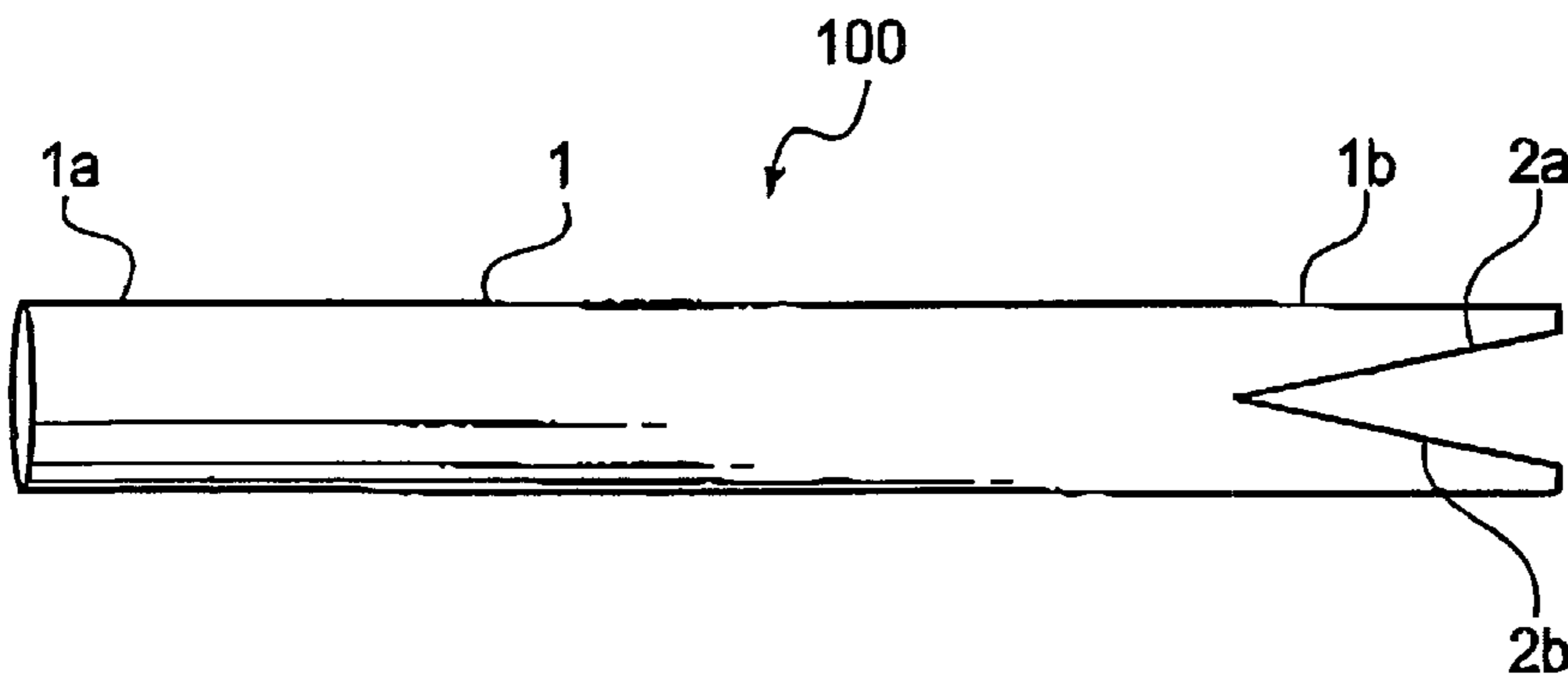
- with international search report
- before the expiration of the time limit for amending the claims and to be republished in the event of receipt of amendments

(88) Date of publication of the international search report:

17 June 2004

For two-letter codes and other abbreviations, refer to the "Guidance Notes on Codes and Abbreviations" appearing at the beginning of each regular issue of the PCT Gazette.

(54) Title: ORIFICE INTRODUCER DEVICE



(57) Abstract: An orifice introducer device for introducing, e.g., a surgical device, into, e.g., an orifice of a body, includes a tubular member having a distal end and a proximal end. The distal end is adjustable between a first position for insertion into an orifice and a second position once inserted into the orifice. Alternatively, the orifice introducer device includes a distal portion having a proximal end configured to be detachably secured to the distal end of the tubular member. The distal portion

is selectively detachable when the orifice introducer device is positioned in the orifice.



WO 2004/014234 A3

ORIFICE INTRODUCER DEVICE

5

FIELD OF THE INVENTION

10 The present invention relates to an orifice introducer device, and more particularly, to an orifice introducer device for introducing, e.g., a surgical device, into an orifice of a body.

BACKGROUND

15 There are many surgical procedures that require a surgical instrument to be introduced into an orifice of a body. One example of such is a surgical procedure to resect a cancerous or anomalous tissue from a gastro-intestinal tract by the introduction, e.g., insertion, of a circular stapling instrument via a patient's oral or anal cavity.

20 One of the problems experienced during surgical procedures of this type is that the orifice of the body may be damaged when the surgical instrument is being introduced, or has been introduced, into the orifice. This is particularly problematic when the orifice into which the surgical device is being introduced includes fragile tissue that is easily damaged when contacted, e.g., the tissues of the oral cavity. Another problem experienced during surgical procedures of this type is that the
25 surgical instrument may be damaged when the surgical instrument is being introduced, or has been introduced, into the orifice. It may be particularly important to avoid damage to the surgical device, since a patient may also be harmed if the

surgical device functions improperly.

While significant advances have been made in miniaturizing surgical instruments, there are still many surgical instruments that are almost as large as, the same size as, or larger than, the size of the orifice into which the surgical instrument is required to be introduced. Since the likelihood of damaging either the orifice or the surgical device may be increased as the size of the surgical device increases relative to the size of the orifice into which the surgical instrument is required to be introduced, conventional surgical devices and procedures still risk damage to one or both of the surgical device and the orifice.

Thus, there is a need for a device that minimizes the likelihood of damage to one or both of a surgical device and an orifice when the surgical device is introduced into the orifice.

SUMMARY

The present invention, according to various embodiments thereof, relates to an orifice introducer device for introducing, e.g., a surgical device, into, e.g., an orifice of a body. The orifice introducer device includes a tubular member having a distal end and a proximal end. The distal end is adjustable between a first position for insertion into an orifice and a second position once inserted into the orifice.

Alternatively, the orifice introducer device may include a distal portion having a proximal end configured to be detachably secured to the distal end of the tubular member. The distal portion is selectively detachable when the orifice introducer device is positioned in the orifice.

In another example embodiment of the present invention, the introducer includes a tubular sheath. The diameter of the proximal end of the sheath is larger than the diameter of the distal end of the sheath. For example, the sheath may have a generally conically-shaped or tapered distal end. The diameter of the distal end may be expandable to allow passage of a surgical instrument whose diameter is larger than the diameter of the distal end. The distal end may include, for example,

a slit, seam or weakened area for allowing the diameter to expand. Alternatively or additionally, the distal end may be formed of a stretchable material, such as an elastomeric material, which allows the diameter of the proximal end to expand.

5 In another example embodiment of the present invention, the introducer includes a sheath and a distal cap-like portion (e.g., a nose cone). The distal cap-like portion may be removably mounted to the sheath. The cap-like portion may be removed from the sheath and withdrawn or recovered through the sheath.

10 **BRIEF DESCRIPTION OF THE DRAWINGS**

Figure 1A is a side view that illustrates an orifice introducer device in a closed position, according to one example embodiment of the present invention;

15 Figure 1B is a side view that illustrates, in an open position, the orifice introducer device illustrated in Figure 1A;

Figure 2A is a perspective view that illustrates an orifice introducer device according to another example embodiment of the present invention.

20 Figure 2B is a partial perspective view that illustrates further details of a proximal end of the orifice introducer device illustrated in Figure 2A;

Figure 2C is a partial side view that illustrates further details of a distal end of the orifice introducer device illustrated in Figure 2A in a closed position;

25 Figure 2D is a side view that illustrates further details of the distal end of the orifice introducer device illustrated in Figure 2A in an open position;

30 Figure 3A is a side view that illustrates an orifice introducer device according to another example embodiment of the present invention;

Figure 3B is a partial, cross-sectional side view of the orifice introducer device illustrated in Figure 3A;

5 Figure 3C is a partial, cross-sectional side view that illustrates further details of an attached distal portion of the orifice introducer device illustrated in Figure 3A;

10 Figure 3D is a partial, cross-sectional side view that illustrates further details of a detached distal portion of the orifice introducer device illustrated in Figure 3A;

Figure 3E is a partial, cross-sectional side view of the orifice introducer device illustrated in Figure 3A having a second tubular body inserted therein;

15 Figure 3F is a partial, cross-sectional side view of the orifice introducer device illustrated in Figure 3A having the second tubular body further inserted therein; and

Figure 3G is a partial, cross-sectional side view of the orifice introducer device illustrated in Figure 3A having distal portion partially withdrawn therethrough.

20 **DETAILED DESCRIPTION**

The present invention, according to various embodiments thereof, relates to an orifice introducer device that may be used, for example, for introducing or inserting, e.g., a surgical device, into an orifice, e.g., an oral cavity, of a body. For the purposes of example only, the present invention will be described hereinafter in connection with an orifice introducer device that is used for introducing or inserting a surgical device into an orifice of a body. However, it should be recognized that the present invention, in accordance with other embodiments thereof, may also be used for introducing or inserting anything, e.g., a surgeon's hand, an implantable medical device, etc., into an orifice of a body. Additionally or alternatively, it should be
25
30 recognized that the present invention, in accordance with other embodiments

thereof, may also be used for widening or otherwise changing the shape of an orifice of a body for purposes other than introducing or inserting something into the orifice of a body, e.g., for enabling a surgeon to view externally the interior of the orifice without introducing or inserting anything therein. Still further, it should be recognized
5 that the present invention, in accordance with other embodiments thereof, may also be used for introducing or inserting an element into any type of orifice, not merely an orifice of a body.

Advantageously, the orifice introducer device of the present invention may function to prevent damage to either the orifice of the body or to the surgical
10 instrument when the surgical instrument is being introduced or inserted, or has been introduced or inserted, into the orifice. Additionally or alternatively, the orifice introducer device may function so that a surgical instrument having a relatively large diameter may pass through an orifice having a relatively smaller diameter without
15 damaging the orifice. Preferably, the orifice introducer device has a first position or arrangement in which the orifice introducer device is configured to be easily inserted into an orifice. In addition, the orifice introducer device is adjustable to a second position or arrangement in which the orifice introducer device may accommodate, e.g., a larger surgical instrument therethrough, by, for example, maintaining,
20 stretching or otherwise changing the shape of, an orifice so that the larger surgical device may be inserted and positioned therein. Preferably, the orifice introducer device is configured to be sterilizable, enabling it to be used more than once.

Figures 1A and 1B illustrate, in a first position and a second position, respectively, an orifice introducer device 100 suitable for introducing a surgical
25 device into an orifice of a body, in accordance with an example embodiment of the present invention. In this embodiment, the orifice introducer device 100 includes a generally tubular member 1. The tubular member 1 has a proximal end 1a and a distal end 1b. A diameter of the distal end 1b is, in the first position, smaller than the diameter of the proximal end 1a. In this embodiment, the distal end 1b is generally conical or tapered in the first position. In addition, the distal end 1b includes, in the
30 embodiment shown, a longitudinal slit 2.

Figure 1B illustrates the adjustability of the distal end 1b. More specifically, Figure 1B illustrates that, in the second position, the distal end 1b is adjusted such that an diameter of the distal end 1b is increased, e.g., expanded, relative to the diameter of the distal end 1b in the first position. For instance, the inner diameter of the distal end 1b is expanded to allow a surgical device, for example a surgical device having a diameter that is larger than the diameter of the distal end 1b in the first position, to pass therethrough. In this embodiment, the distal end 1b is adjustable by the opening of the longitudinal slit 2.

In operation, the distal end 1b of the tubular member 1 is introduced into an orifice and is advanced in a distal direction until it achieves a desired position within the orifice. The relatively smaller diameter at the distal end 1b permits the orifice introducer device 100 to be more easily introduced and advanced into the orifice. Preferably, when the orifice introducer device 100 is positioned in the desired position, the proximal end 1a of the tubular member 1 remains outside of the orifice. A surgical instrument, which may be sterilizable, may then be inserted into the tubular member 1 and may be advanced distally therethrough. The surgical instrument may include, for example, a surgical instrument attached to a flexible shaft of an electro-mechanical driver, as described in, for example, U.S. Patent No. 6,443,973, entitled "Electromechanical Driver Device For Use With Anastomosing, Stapling, and Resecting Instruments," filed on June 2, 1999, U.S. Patent Application Ser. No. 09/510,927, entitled "An Electromechanical Driver And Remote Surgical Instruments Attachments Having Computer Assisted Control Capabilities, filed on February 22, 2000, U.S. Patent No. 6,517,565 entitled "Carriage Assembly for Controlling a Steering Wire Steering Mechanism Within a Flexible Shaft", filed on February 22, 2000, U.S. Patent No. 6,315,184, entitled "Stapling Device For Use With An Electromechanical Driver Device For User With Anastomosing, Stapling, And Resecting Instruments," U.S. Patent No. 6,264,087, entitled "Parallel Jaw Device For Use With An Electromechanical Driver Device," U.S. Patent No. 6,348,061, entitled "Vessel And Lumen Expander Attachment For Use With An Electromechanical Driver Device," U.S. Patent No. 6,488,197, entitled "Fluid Delivery Device For Use With Anastomosing, Resecting and Stapling Instruments,

filed on February 22, 2000, U.S. Patent No. 6,491,201, entitled "A Fluid Delivery Mechanism For Use With Anastomosing, Resecting And Stapling Instruments, filed on February 22, 2000, U.S. Patent No. 6,533,157, entitled "A Tissue Stapling Attachment For Use With An Electromechanical Driver Device, filed on February 22, 2000, U.S. Patent Application Ser. No. 09/887,789, entitled "Electro-Mechanical Surgical Device," filed on June 22, 2001, U.S. Patent Application Ser. No. 10/098,217, entitled "Trocar Device," filed on March 14, 2002, U.S. Patent Application Ser. No. 10/128,768, entitled "Bipolar Or Ultrasonic Surgical Device, filed on April 22, 2002, U.S. Patent Application Ser. No. 10/127,310, entitled "Imaging Device," filed on April 22, 2002, U.S. Patent Application Ser. No. 60/352,726, entitled "Surgical Imaging Device," filed on January 30, 2002, U.S. Patent Application Ser. No. 09/999,546, entitled "Surgical Device," filed on November 30, 2001, U.S. Patent Application Ser. No. 10/094,051, entitled "A Surgical Device," filed on March 8, 2002, and U.S. Patent Application Ser. No. 60/388,644, entitled "Surgical Device," filed on June 14, 2002.

When the surgical instrument reaches the distal end 1b of the tubular member 1, the diameter of the distal end 1b may be adjusted, e.g., expanded, so as to permit at least a portion of the surgical instrument to enter, e.g., to extend through, the distal end 1b. The expansion of the distal end 1b may be caused by, for example, the force of the surgical instrument pushing against the inner wall of the tubular member 1. In the example shown in Figures 1A and 1B, the distal end 1b expands via the longitudinal slit 2, e.g., by the separation of the sides 2a and 2b of the slit 2, to allow the surgical instrument to pass therethrough.

While the embodiment of Figures 1A to 1B illustrates that the distal end 1b of the tubular member 1 may be adjustable, e.g., expandable, alternative arrangements are possible in which the entire tubular member 1 is adjustable. Furthermore, while the embodiment of Figures 1A to 1B illustrates that the distal end 1b of the tubular member 1 may be adjustable, e.g., expandable, via a slit 2, alternative arrangements for providing adjustability to the distal end 1b are also possible. For example, the distal end 1b of the tubular member 1 may be formed of

a stretchable material, such as an elastomeric material, whereby the force of the surgical instrument, e.g., a surgical instrument having a diameter that is larger than the diameter of the distal end 1b in a first position, against the inner wall of the tubular member 1 may stretch the material of the distal end 1b to allow the diameter of the distal end 1b to increase and the surgical instrument to pass therethrough. Alternatively or additionally, the distal end 1b of the tubular member 1 may include one or more seams, perforations, or weakened areas that tear, split or otherwise open or stretch to allow the inner diameter of the distal end 1b of the tubular member 1 to increase.

Figures 2A to 2D illustrate an orifice introducer device 200 in accordance with another example embodiment of the present invention. In this embodiment, and as illustrated in Figure 2A, the orifice introducer device 200 includes a tubular member 21 having a proximal end 21a and a distal end 21b. The distal end 21b of the tubular member 21 includes a longitudinally extending v-shaped opening or slit 21e, with a distal end of the opening 21e being wider in the open position than a proximal end of the opening 21e. In this embodiment, each of the sides 21c, 21d of the opening 21e includes a number of holes 22 through which a string 22a may be laced, threaded or corsetted. The proximal end 21a of the tubular member 21 includes an actuation device 20. The actuation device 20 may include a ring 25 or the like for gripping the string 22a.

As shown in further detail in Figure 2B, the ring 25 may include a hole 25a through which both ends of the string 22a pass. Specifically, the first and second ends of the string 22a are laced within the holes 22 at the distal end 21b of the orifice introducer device 100, extend through the interior of the tubular member 21 and emerge through holes 23 and 27a, respectively. The first and second ends of the string 22a are secured to the ring 25 through the hole 25a by a crimp 26. As shown, the hole 27a may include a grommet 27 to, for example, reduce the friction of the string 22a against the sides of the hole 27a.

Prior to insertion of the orifice introducer device 200 into an orifice, the ring 25 may be moved, e.g., pulled in a proximal direction, to draw the sides 21c and 21d of the opening 21e together and thereby reduce the diameter of the distal end 21b of

the tubular member 21 as illustrated in Figure 2C. The reduced diameter of the distal end 21b of the tubular member 21 permits easier insertion of the orifice introducer device 200 into an orifice. After the orifice introducer device 200 has been inserted into an orifice and is in a desired position, the diameter of the distal end 21b of the tubular member 21 may be increased as illustrated in Figure 2D to allow a surgical instrument to be passed therethrough. In order to increase the diameter of the distal end 21b of the tubular member 21, the ring 25 may be moved in an opposite direction, e.g., in a distal direction, thereby releasing the tension on string 22a.

It should be recognized that there are numerous different arrangements that may be employed for lacing the string 22a through the holes 22 at the distal end 21b of the tubular member 21 and for securing the string 22a to an actuation device 20, such as the ring 25, at the proximal end 21a of the tubular member 21. For instance, in another example embodiment of the present invention, the crimp 26 may be secured to the tubular member 21 at a proximal side of the hole 27a. The first and second ends of the string 22a may extend through the hole 25a of the ring 25 to be connected to the crimp 26. The ring 25 may then be moved in one direction, e.g., distally, to decrease the diameter of the distal end 21b of the tubular member 21 and in an opposite direction, e.g., proximally, to increase the diameter of the distal end 21b of the tubular member 21.

Figures 3A to 3G illustrate an orifice introducer device 400, and the use thereof, according to another example embodiment of the present invention. In this embodiment, a generally tubular member 300 is provided with a distal portion 310, e.g., a nose cone, at a distal end 315 thereof. The tubular member 300 may be formed from, for example, a Teflon material. The distal portion 310 is configured to be detachably mounted to the distal end 315 of the tubular member 300. The distal portion 310 may be generally conically shaped or tapered so that a distal end of distal portion 310 has a smaller diameter than a proximal end of the distal portion 310 and the tubular member 300. The distal portion 310 is generally sized and shaped to be inserted into an orifice. The distal portion 310 may have an open or closed distal end, and may be, for example, tapered, conical, frusto-conical, blunt,

etc., in shape. The proximal end 325 of the distal portion 310 may be generally annularly shaped so as to be attachable to the distal end 315 of the tubular member 300. In this embodiment, the distal portion 310 may be at least partially formed from a flexible, e.g., elastomeric, material. The distal portion 310 may be, for example, stretched around the distal end 315 of the tubular member 300. Additionally or alternatively, other methods and/or devices can be used to attach the distal portion 310 to the distal end 315 of the tubular member 300, including by way of non-limiting example: an electrical connection, an adhesive, a tacky composition, a coupling member, a fastener, a material which molecularly binds with the material of the tubular member, etc.

Figure 3B is a partial cross-sectional view of the orifice introducer device 400 illustrated in Figure 3A. As shown in Figure 3B, the proximal end 325 of the distal portion 310 includes an annular groove 320. The annular groove 320 is configured to receive the distal end 315 of the tubular member 300. Figure 3C shows further details of a portion of the annular groove 320. As shown in Figure 3C, the annular groove 320 is configured to frictionally retain between opposing members 320a and 320b the distal end 315 of the tubular member 300.

As noted above, in this embodiment, the distal portion 310 may be formed from a flexible, e.g., elastomeric, material. Figure 3D illustrates the portion of the annular groove 320 shown in Figure 3C, when the distal end 315 of the tubular member 300 is not inserted therein. As shown in Figure 3D, the proximal end 325 of the distal portion 310 in which the annular groove 320 is housed is biased so as to bend inwardly, e.g., to have a reduced diameter, when the distal end 315 of the tubular member 300 is not inserted in the annular groove 320. Preferably, the proximal end 325 of the distal portion 310 is sufficiently biased such that, when the distal end 315 of the tubular member 300 is not inserted in the annular groove 320, the inwardly-bent proximal end 325 of the distal portion 310 has an outer diameter that is less than an inner diameter of the tubular member 300.

Figures 3E to 3G illustrate the use of the orifice introducer device 300 shown in Figures 3A to 3D, according to one example embodiment of the present invention. In this embodiment, the orifice introducer device 400 is used with a tubular insertion

device 330. For instance, Figure 3E illustrates the orifice introducer device 400 having a tubular insertion device 330 inserted therethrough. In one embodiment, the tubular insertion device 330 is formed from a Teflon material. The tubular insertion device 330 is slidably receivable in the tubular member 300 and is configured to contact an inner wall 311 of the distal portion 310. Preferably, the tubular insertion device 330 has a sufficient length such that, when fully inserted through the tubular member 300, a proximal end 330a of the tubular insertion device 330 extends beyond a proximal end 300a of the tubular member 300 permitting manipulation of the tubular insertion device 330 by a surgeon outside the orifice.

The orifice introducer device of Figure 3E further includes a recovery device such as a string 340 securely attached to the inner wall 311 of the distal portion 310. Preferably, a proximal end 340a of the string 340 extends beyond the proximal end of the tubular member 300 so that the string 340 can be held and/or pulled by a surgeon in a proximal direction while the tubular member 300 is left in position within the orifice.

In operation, the distal portion 310 is detachably mounted on the tubular member 300 via, e.g., the annular groove 320. The tubular member 300, including the distal portion 310 is then introduced into the orifice. Once the tubular member 300 is properly positioned, the tubular insertion device 330 is inserted into the tubular member 300. Alternatively, the tubular insertion device 330 may be inserted into the tubular member 300 prior to introduction and/or positioning of the tubular member 300 in the orifice. The tubular insertion device 330 is then advanced within the tubular member 300 in a distal direction, until the distal end of the tubular insertion device 330 contacts the inner wall 311 of the distal portion 310. The tubular insertion device 330 is then further distally advanced so as to cause the distal portion 310 to be detached from the proximal end 300a of the tubular member 300. Alternatively, the tubular member 300 may be pulled back proximally, while the tubular insertion device 330 is kept in place. Figure 3F shows, for example, the distal portion 310 after it is detached from the tubular member 300.

Once the distal portion 310 is detached from the distal end 315 of the tubular member 300, the proximal end 310a of the distal portion 310 may contract.

Advantageously, the proximal end 310a of the distal portion 310 contracts sufficiently such that the outer diameter of the distal portion 310 is smaller than the inside diameter of the tubular member 300. The tubular insertion device 330 then may be removed from the tubular member 300 by moving it proximally relative to the tubular member 300. Moreover, since upon contraction the outer diameter of the distal portion 310 is smaller than the inside diameter of the tubular member, the distal portion 310 may be withdrawn through the tubular member 300 by pulling the string 340 proximally. Thereafter, the tubular member 300 remains in position within the orifice, and a surgical device may be inserted into the proximal end of the tubular member 300 and advanced distally therethrough.

Alternatively, in one example embodiment of the present invention, the proximal end 310a of the distal portion 310 contracts sufficiently such that the outer diameter of the distal portion 310 is smaller than the inside diameter of the tubular insertion device 330, such that the distal portion 310 may be proximally withdrawn through the tubular insertion device 330 while leaving the tubular insertion device 330 in place within the tubular member 300. In this embodiment, both the tubular member 300 and the tubular insertion device 330 may remain in position within the orifice, and a surgical device may thereafter be inserted into the proximal end 330a of the tubular insertion device 330 and advanced distally therethrough.

Several embodiments of the present invention are specifically illustrated and/or described herein. However, it will be appreciated that modifications and variations of the present invention are covered by the above teachings without departing from the spirit and intended scope of the present invention.

CLAIMS:

1. An orifice introducer device comprising:
a tubular member having a distal end and a proximal end, the distal end including a slit, a plurality of holes formed in the tubular member at a location adjacent to the slit, and a string passing through the holes;
the distal end being adjustable between a first position for insertion into an orifice and a second position once inserted into the orifice upon an opening of the slit, wherein the opening of the slit is controlled upon a movement of the string.
2. The orifice introducer device of claim 1, wherein, in the first position, the distal end has a smaller diameter than the proximal end.
3. The orifice introducer device of claim 2, wherein the diameter of the distal end is greater in the second position relative to the first position.
4. The orifice introducer device of claim 3, wherein at least a portion of the distal end is stretchable, and wherein the diameter of the distal end is adjusted to the second position relative to the first position by stretching.
5. The orifice introducer device of claim 1, wherein the string is attached to an actuation device for controlling movement of the string.
6. The orifice introducer device of claim 1, wherein one end of the string is attached to an actuation device.
7. The orifice introducer device of claim 1, wherein both ends of the string are attached to an actuation device.
8. The orifice introducer device of claim 5, wherein the actuation device includes a ring.

9. A orifice introducer comprising:
a tubular sheath having a proximal end and a distal end, the distal end including a slit, a plurality of holes formed in the tubular member at a location adjacent to the slit, and a string passing through the holes, a diameter of the distal end of the sheath being expandable from a first diameter to a second diameter to allow passage of a surgical instrument having a diameter that is larger than the first diameter upon an opening of the slit, wherein the opening of the slit is controlled upon movement of the string.
10. The orifice introducer of claim 9, wherein the distal end of the sheath is conically shaped at least when the diameter of the sheath is the first diameter.
11. The orifice introducer of claim 9, wherein the distal end of the sheath is tapered at least when the diameter of the sheath is the first diameter.
12. The orifice introducer of claim 9, wherein the distal end of the sheath includes at least one of a seam, a perforation and a weakened area, which allows the expansion of the distal end.
13. The orifice introducer of claim 9, wherein the distal end of the sheath is formed of a stretchable material so that the distal end of the sheath stretches to expand from the first diameter to the second diameter.

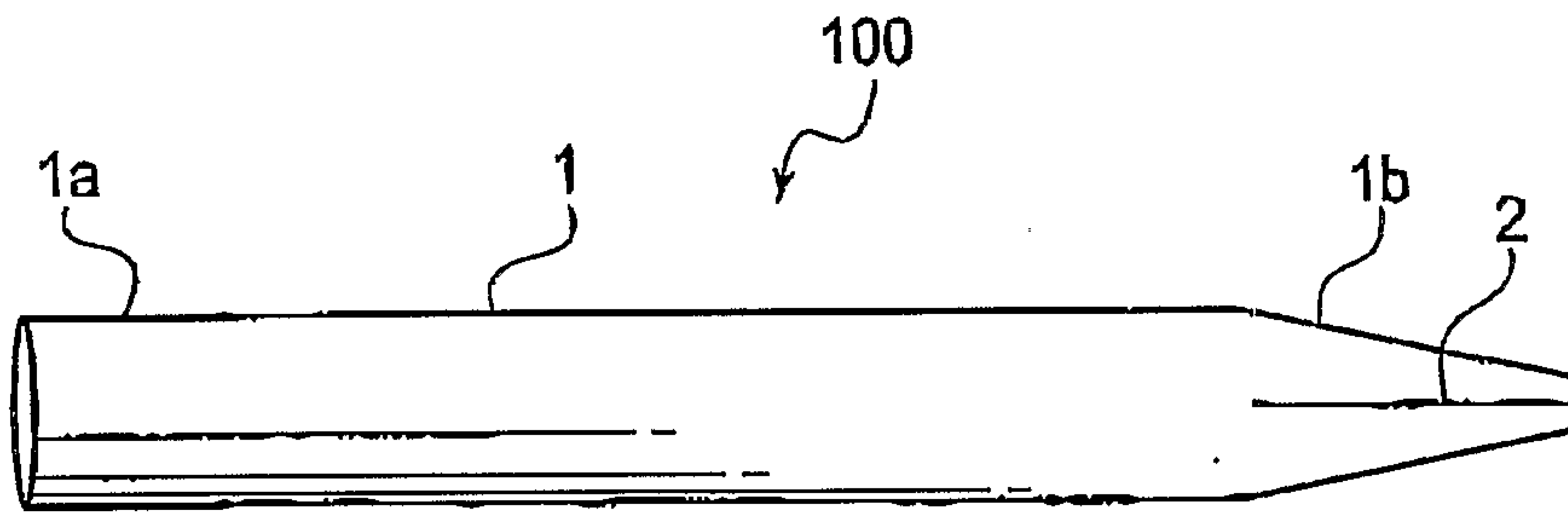


FIG. 1A

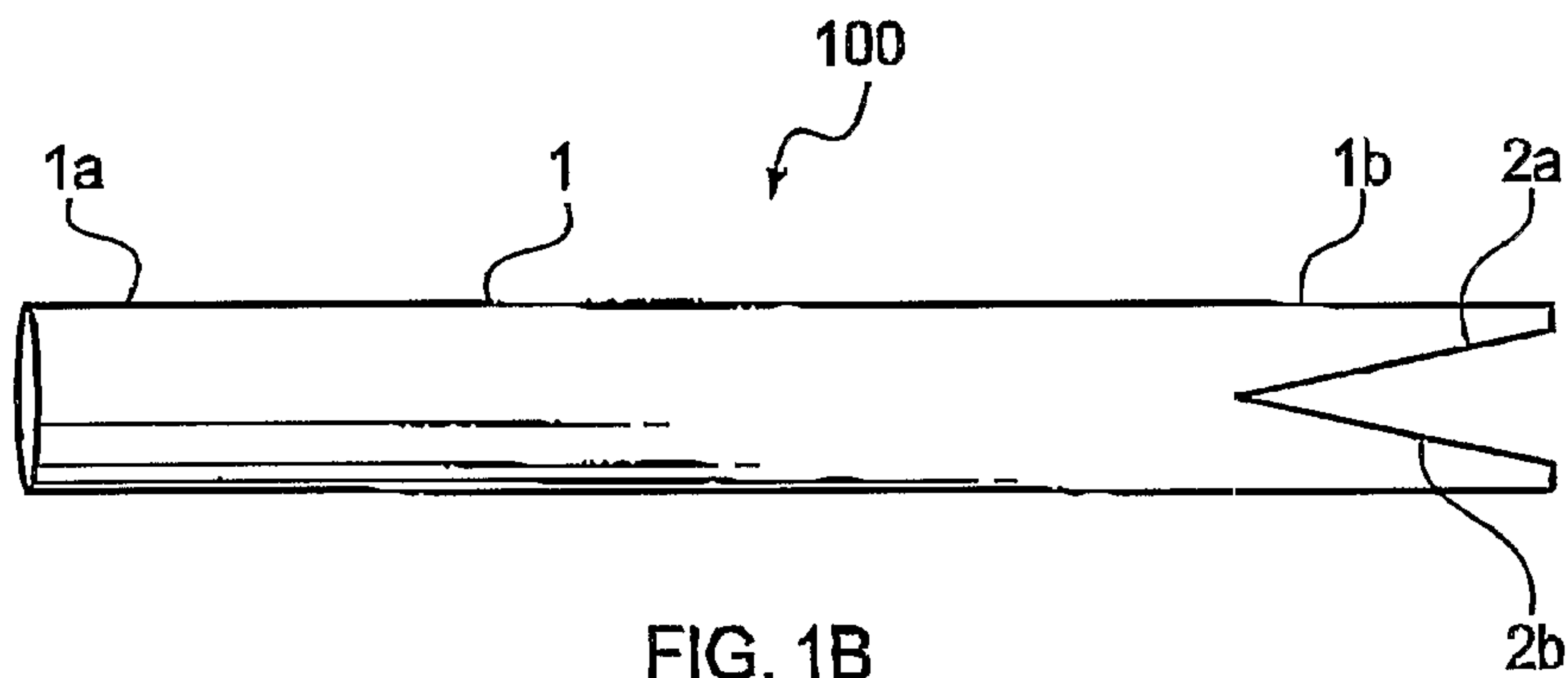
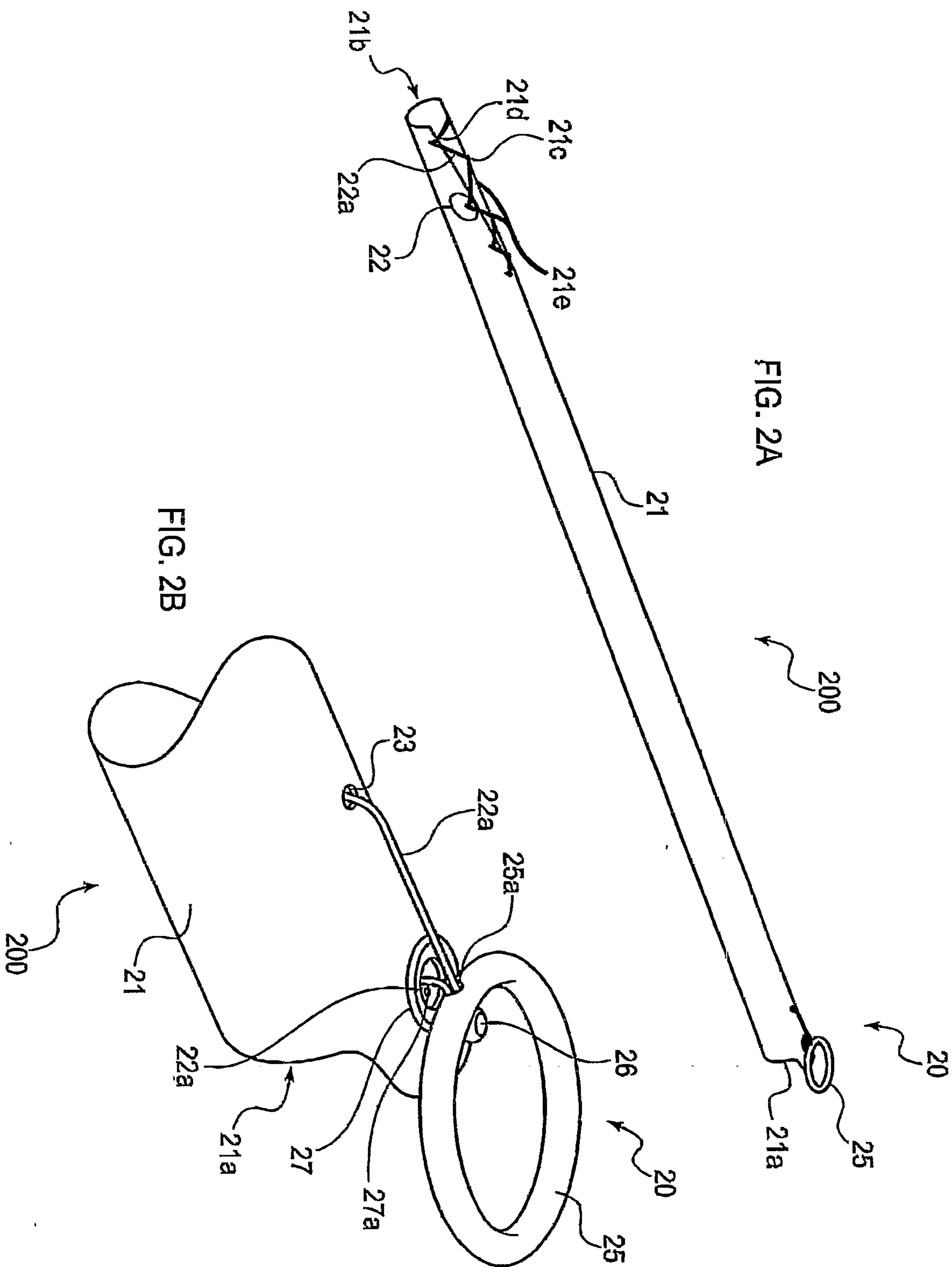


FIG. 1B

SUBSTITUTE SHEET (RULE 26)



SUBSTITUTE SHEET (RULE 26)

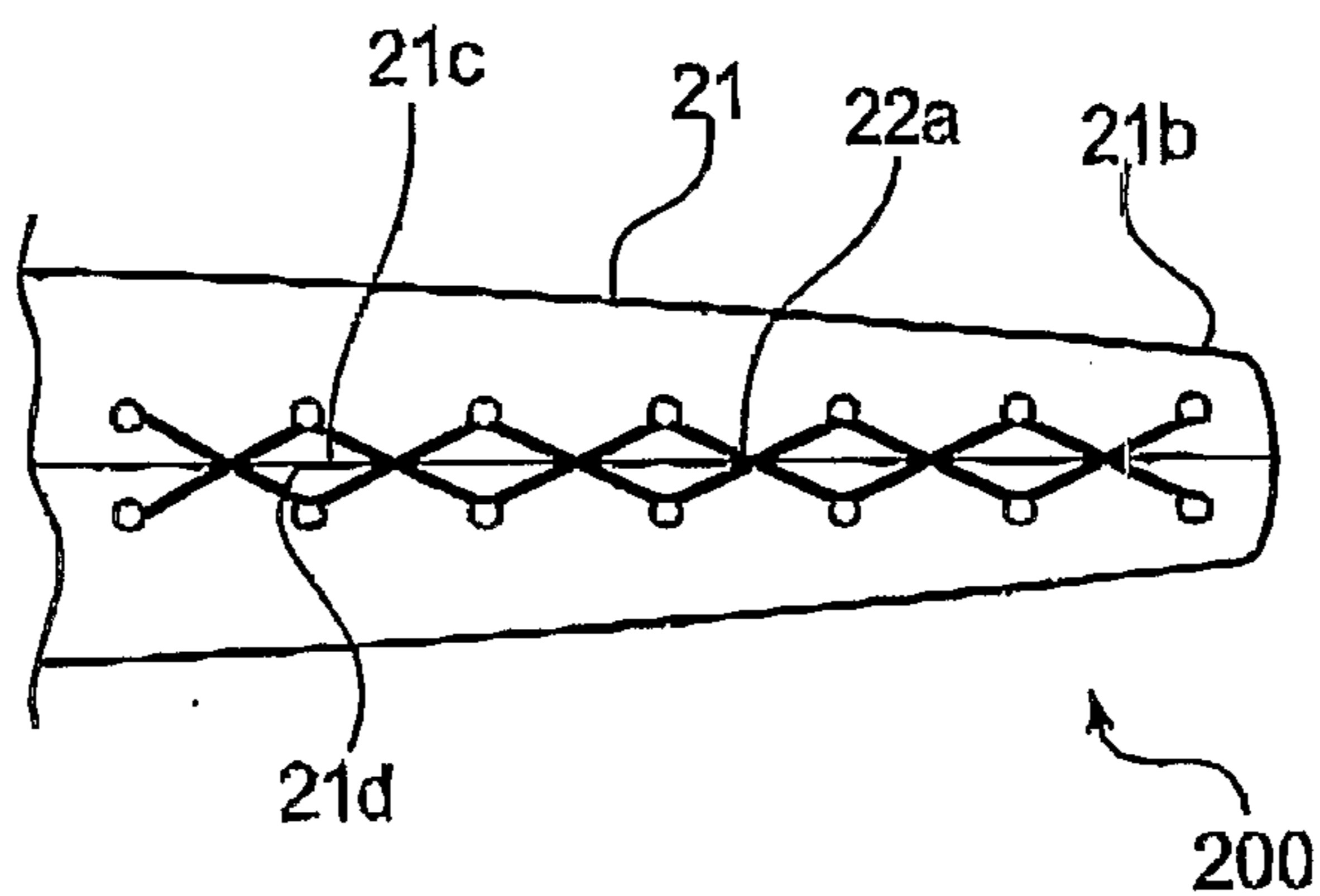


FIG. 2C

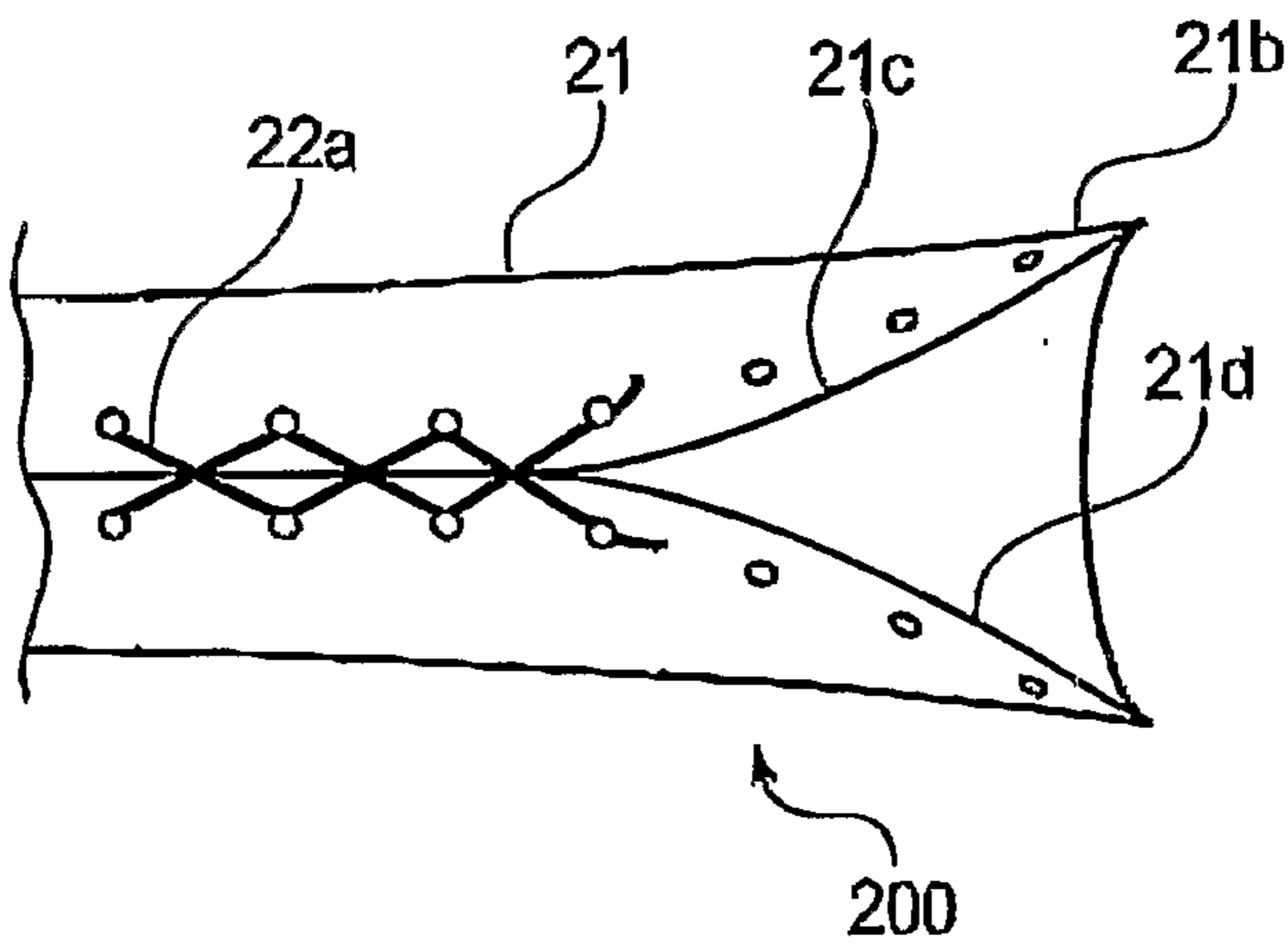


FIG. 2D

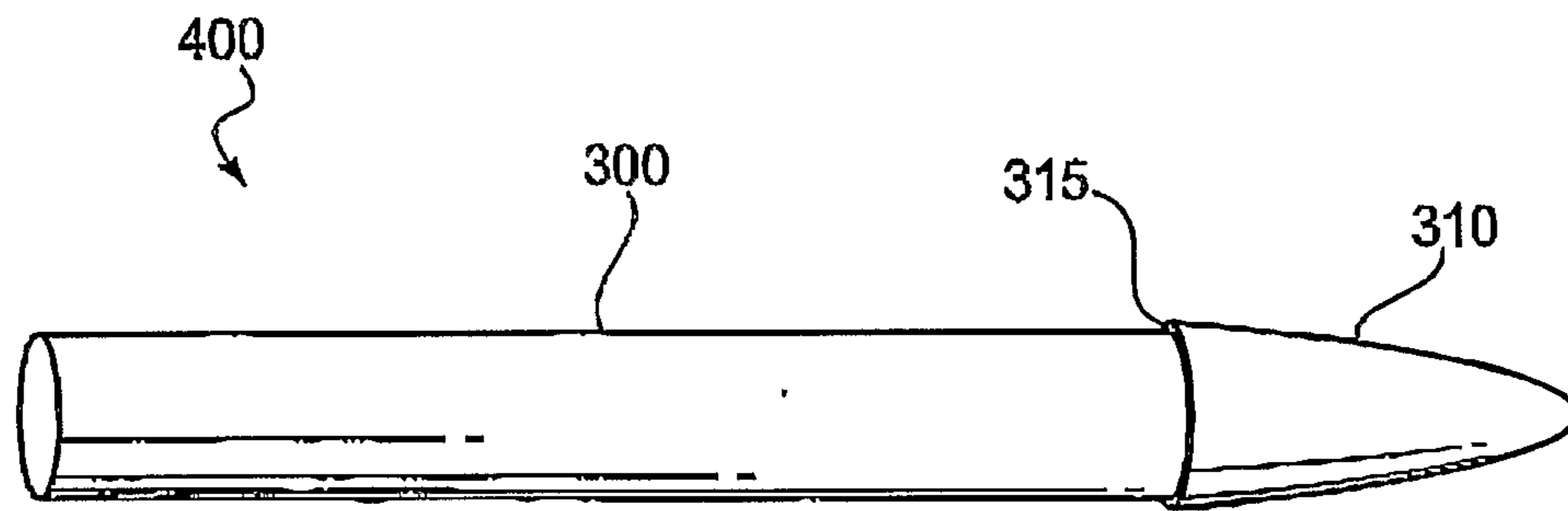


FIG. 3A

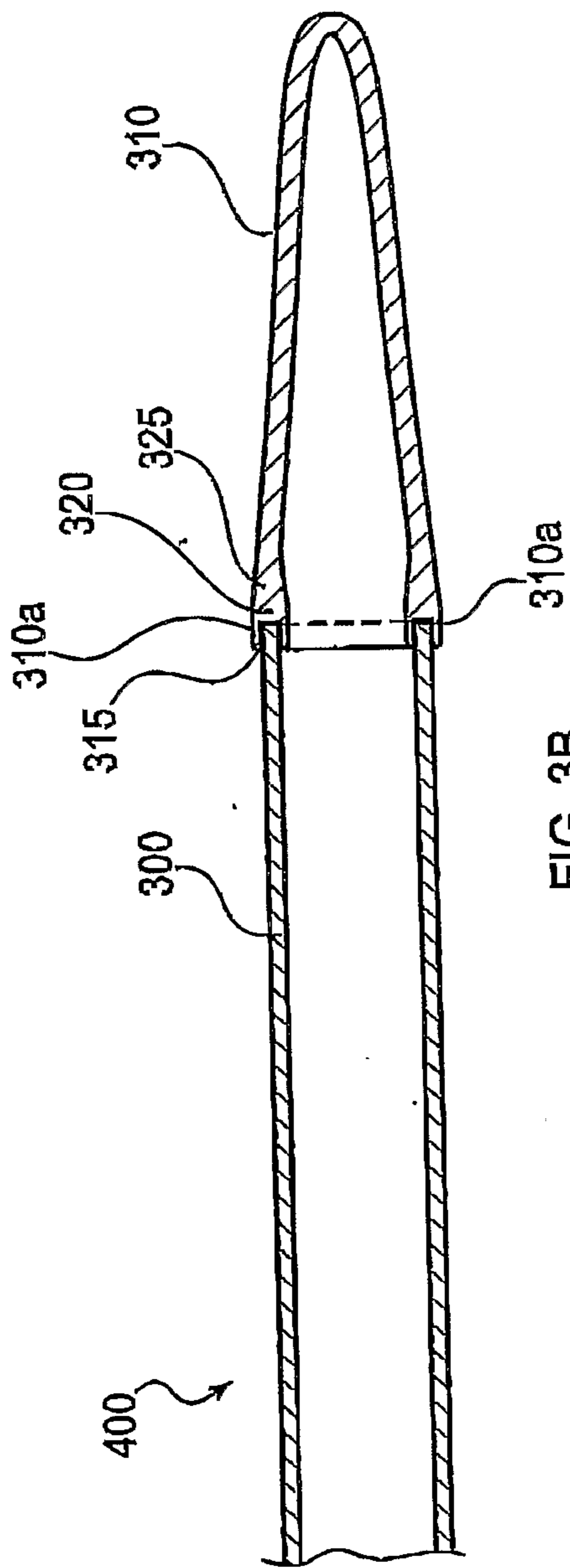


FIG. 3B

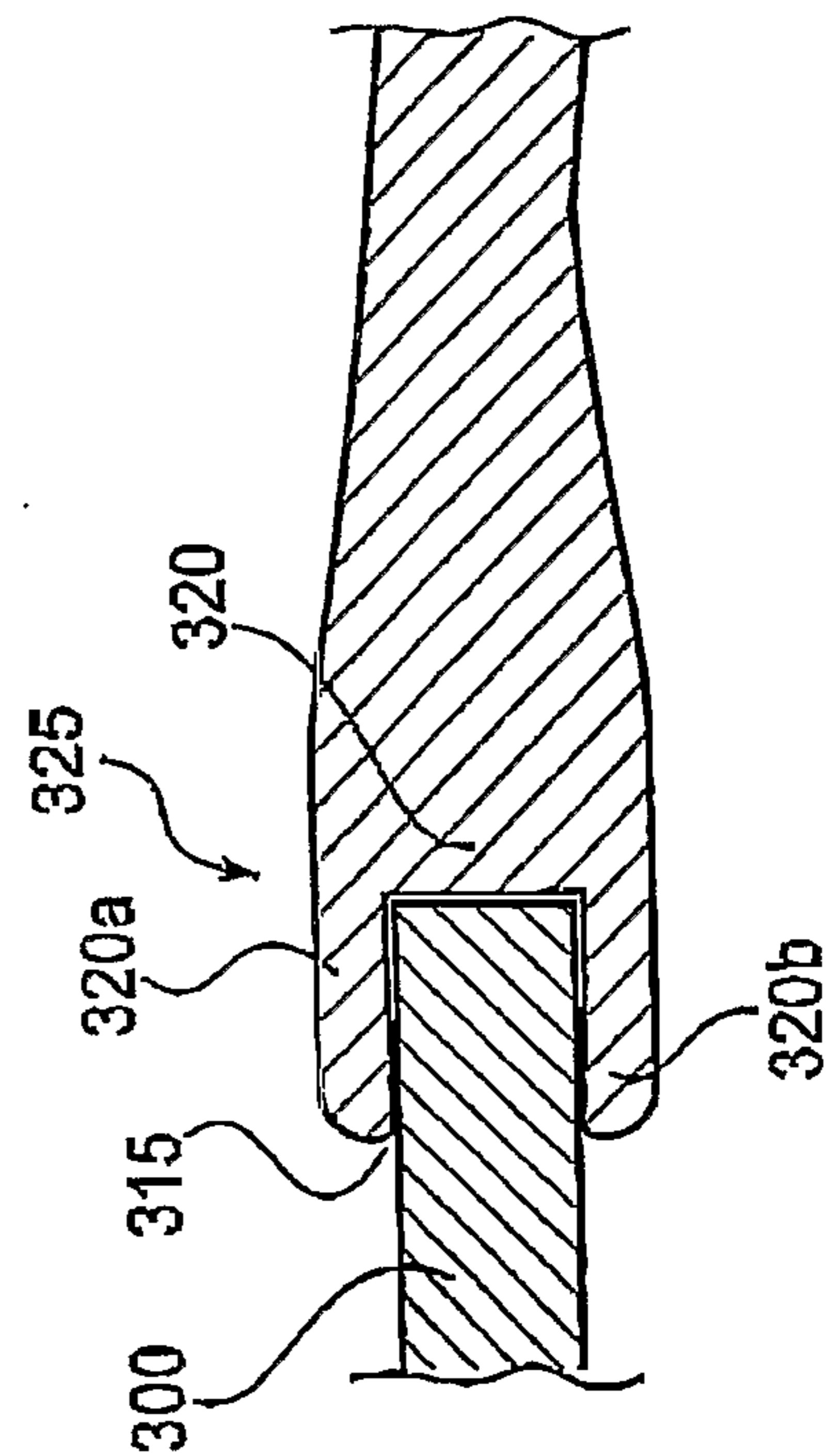


FIG. 3C

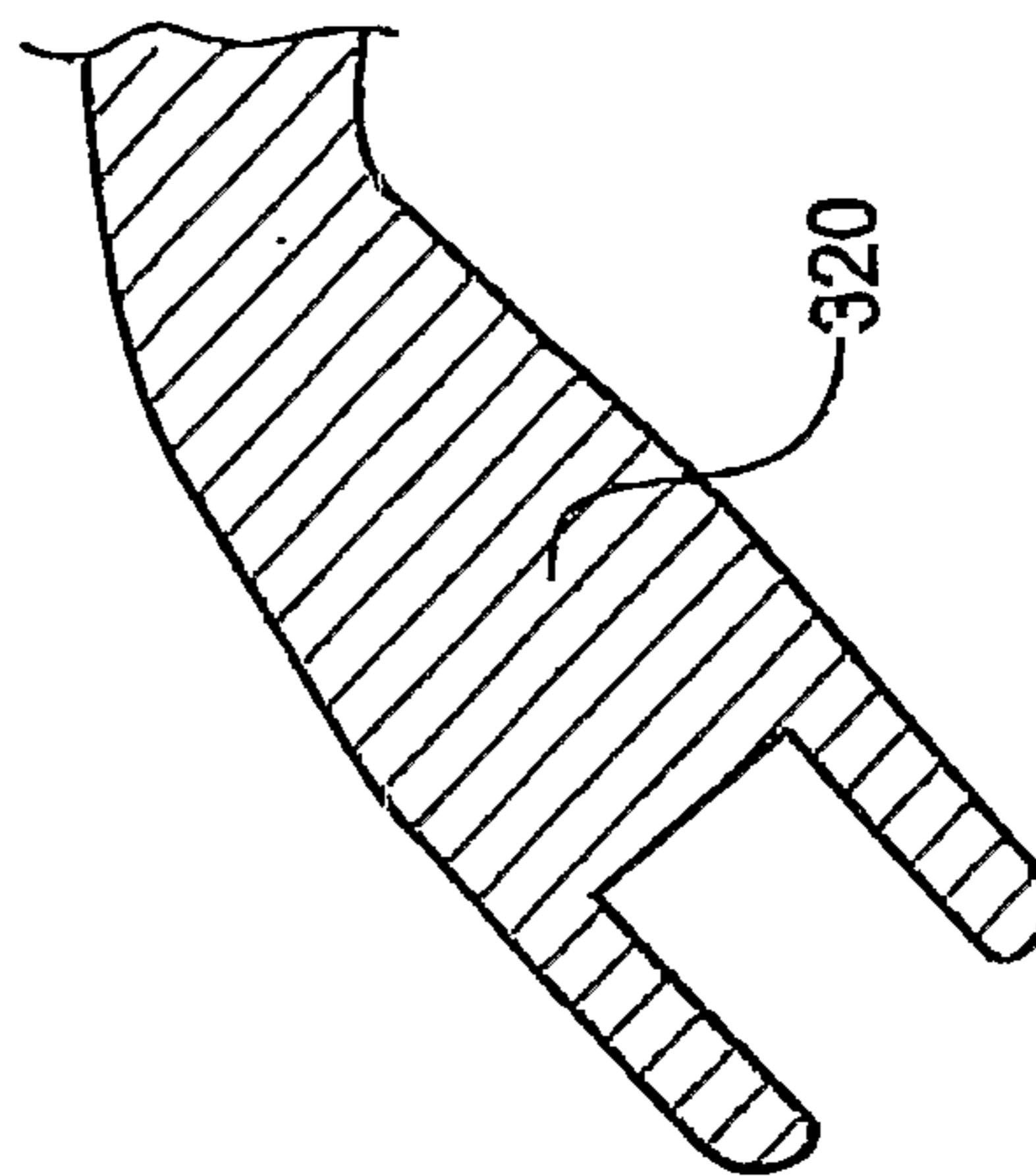


FIG. 3D

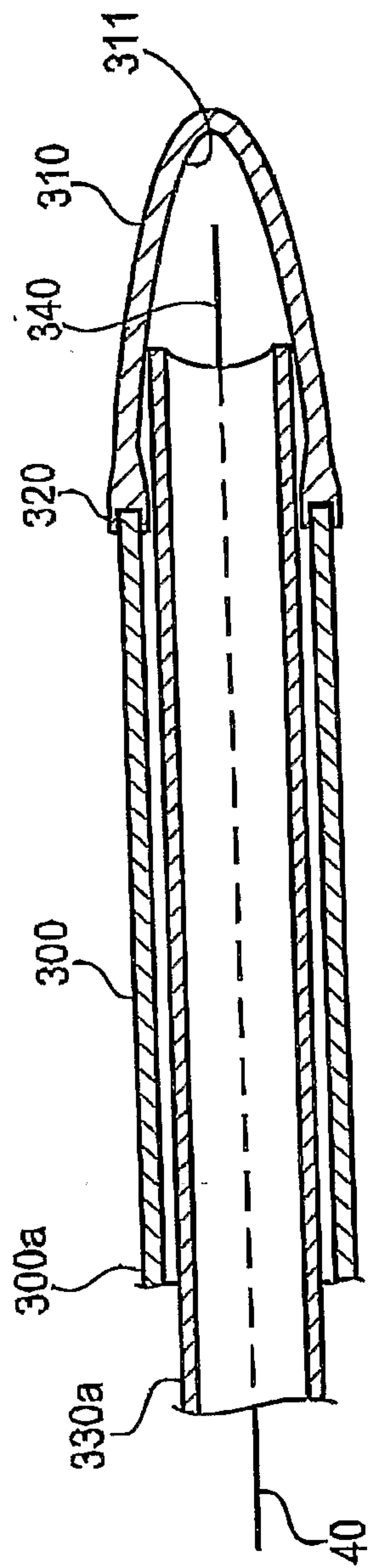


FIG. 3E

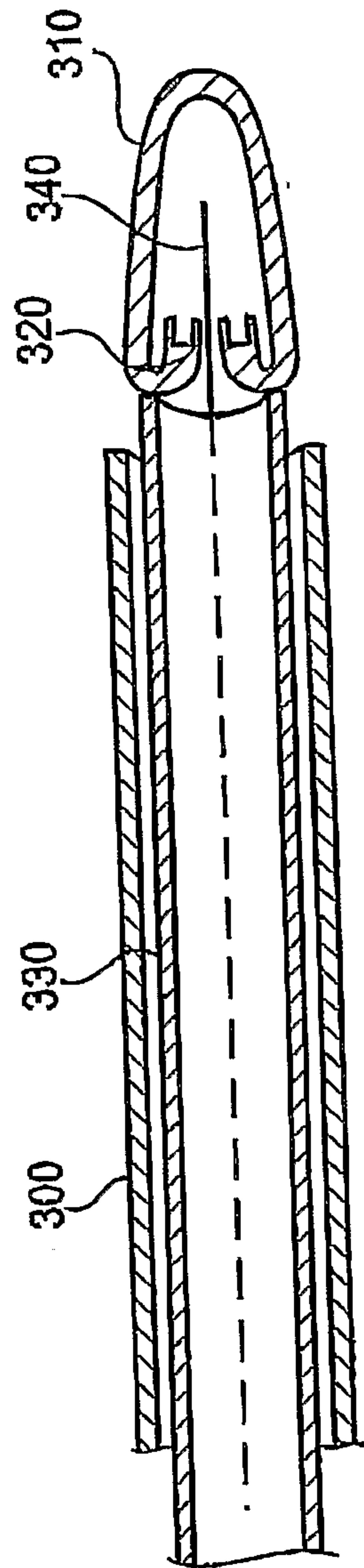


FIG. 3F

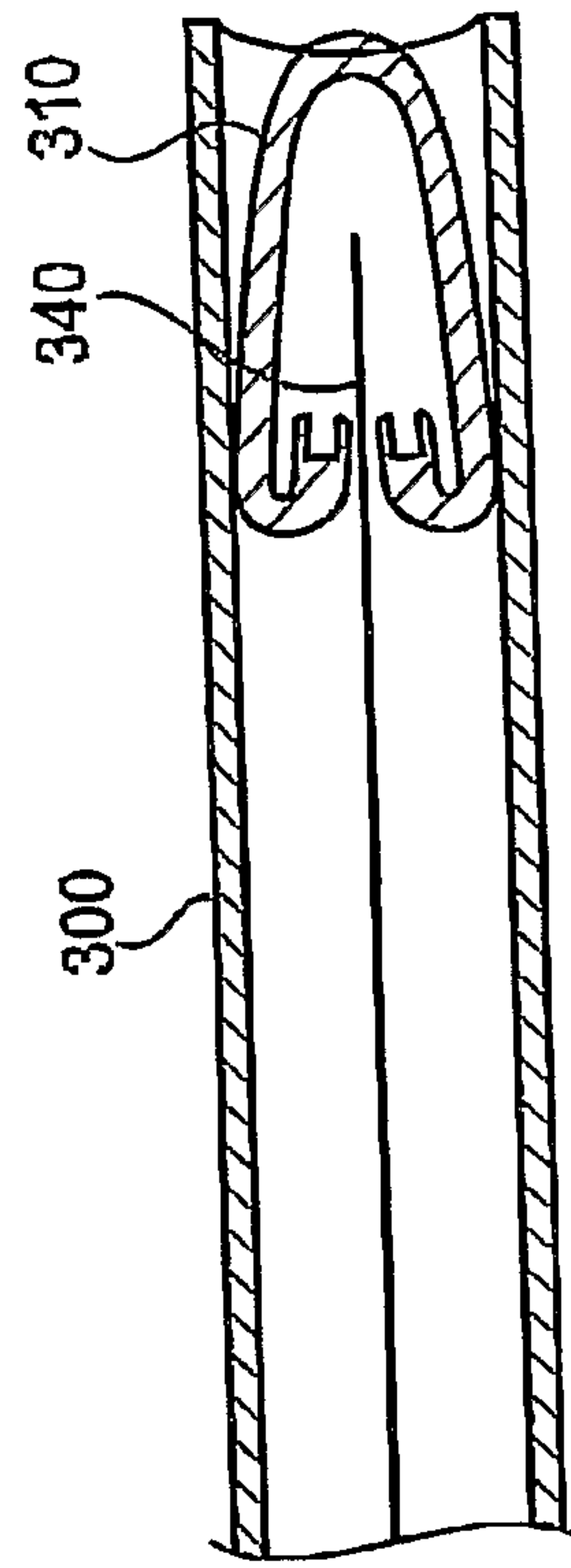


FIG. 3G

