

(19) World Intellectual Property Organization  
International Bureau



(43) International Publication Date  
30 November 2006 (30.11.2006)

PCT

(10) International Publication Number  
**WO 2006/127582 A3**

(51) International Patent Classification:  
A63H 33/00 (2006.01)

1005 Fort Getty Road, Jamestown, Rhode Island 02835 (US).

(21) International Application Number:  
PCT/US2006/019705

(74) Agents: **BABINEAU, James, W.** et al.; Fish & Richardson P.C., P.O. Box 1022, Minneapolis, Minnesota 55440 (US).

(22) International Filing Date: 22 May 2006 (22.05.2006)

(81) Designated States (*unless otherwise indicated, for every kind of national protection available*): AE, AG, AL, AM, AT, AU, AZ, BA, BB, BG, BR, BY, BZ, CA, CH, CN, CO, CR, CU, CZ, DE, DK, DM, DZ, EC, EE, EG, ES, FI, GB, GD, GE, GH, GM, HR, HU, ID, IL, IN, IS, JP, KE, KG, KM, KN, KP, KR, KZ, LC, LK, LR, LS, LT, LU, LV, LY, MA, MD, MG, MK, MN, MW, MX, MZ, NA, NG, NI, NO, NZ, OM, PG, PH, PL, PT, RO, RU, SC, SD, SE, SG, SK, SL, SM, SY, TJ, TM, TN, TR, TT, TZ, UA, UG, US, UZ, VC, VN, YU, ZA, ZM, ZW.

(25) Filing Language: English

(26) Publication Language: English

(30) Priority Data:  
11/135,622 22 May 2005 (22.05.2005) US

(71) Applicant (*for all designated States except US*): **THE FIRST YEARS** [US/US]; 100 Technology Center Drive, Suite 2A, Stoughton, Massachusetts 02072 (US).

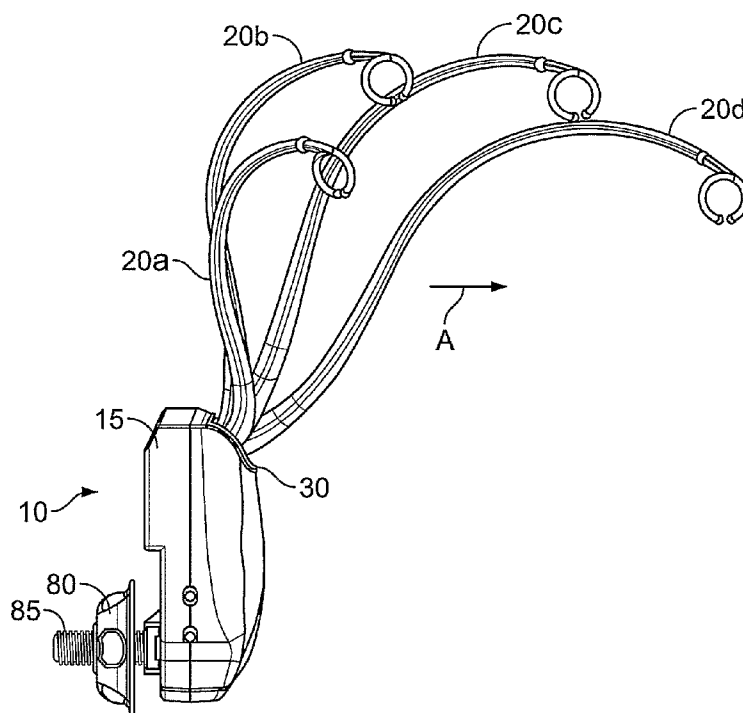
(72) Inventors; and

(84) Designated States (*unless otherwise indicated, for every kind of regional protection available*): ARIPO (BW, GH, GM, KE, LS, MW, MZ, NA, SD, SL, SZ, TZ, UG, ZM, ZW), Eurasian (AM, AZ, BY, KG, KZ, MD, RU, TJ, TM), European (AT, BE, BG, CH, CY, CZ, DE, DK, EE, ES, FI, FR, GB, GR, HU, IE, IS, IT, LT, LU, LV, MC, NL, PL, PT, RO, SE, SI, SK, TR), OAPI (BF, BJ, CF, CG, CI, CM, GA, GN, GQ, GW, ML, MR, NE, SN, TD, TG).

(75) Inventors/Applicants (*for US only*): **SEJNOWSKI, Joseph, P.** [US/US]; 171 Wickford Point Road, North Kingstown, Rhode Island 02852 (US). **KEARNEY, John, P.** [US/US]; 22 Reardons Field Lane, Attelboro Falls, Massachusetts 02763 (US). **MERIANOS, Marsha** [US/US]; 723 Plymouth Street, East Bridgewater, Massachusetts 02333 (US). **PETRIE, Aidan, John** [GB/US];

[Continued on next page]

(54) Title: ARTICULATING MOBILE



(57) Abstract: An apparatus (10) for entertaining a child, the apparatus including a mobile body configured to attach to a side railing of a crib, a plurality of arms (20) pivotally extending from the mobile body along a first end, and a motor (130) operably connected to the arms and including a controller (200). The arms articulate according to a predetermined sequence of the controller.

WO 2006/127582 A3



**Declarations under Rule 4.17:**

- *as to applicant's entitlement to apply for and be granted a patent (Rule 4.17(ii))*
- *as to the applicant's entitlement to claim the priority of the earlier application (Rule 4.17(iii))*

**Published:**

- *with international search report*

**(88) Date of publication of the international search report:**  
22 March 2007

*For two-letter codes and other abbreviations, refer to the "Guidance Notes on Codes and Abbreviations" appearing at the beginning of each regular issue of the PCT Gazette.*

## INTERNATIONAL SEARCH REPORT

International application No

PCT/US2006/019705

## A. CLASSIFICATION OF SUBJECT MATTER

INV. A63H33/00

According to International Patent Classification (IPC) or to both national classification and IPC

## B. FIELDS SEARCHED

Minimum documentation searched (classification system followed by classification symbols)

A63H

Documentation searched other than minimum documentation to the extent that such documents are included in the fields searched

Electronic data base consulted during the international search (name of data base and, where practical, search terms used)

EPO-Internal

## C. DOCUMENTS CONSIDERED TO BE RELEVANT

Category*	Citation of document, with indication, where appropriate, of the relevant passages	Relevant to claim No.
X	US 6 702 643 B1 (DROSENDAHL CHRISTINE [US] ET AL) 9 March 2004 (2004-03-09)	1-9, 11-13, 17-20
Y	column 3, line 7 - line 15; figure 1 -----	10,14-16
X	US 4 973 286 A (DAVISON ANNA [US]) 27 November 1990 (1990-11-27)	1-9, 11-13, 17-20
Y	abstract; figures 1-5 -----	10,14-16
X	US 4 600 399 A (ABE AKIRA [JP]) 15 July 1986 (1986-07-15) abstract; figure 1 -----	1,11
X	GB 2 256 598 A (TOMY CO LTD [JP]) 16 December 1992 (1992-12-16) abstract; figure 1 -----	1,11
	-/--	

 Further documents are listed in the continuation of Box C. See patent family annex.

## \* Special categories of cited documents :

"A" document defining the general state of the art which is not considered to be of particular relevance

"E" earlier document but published on or after the international filing date

"L" document which may throw doubts on priority claim(s) or which is cited to establish the publication date of another citation or other special reason (as specified)

"O" document referring to an oral disclosure, use, exhibition or other means

"P" document published prior to the international filing date but later than the priority date claimed

"T" later document published after the international filing date or priority date and not in conflict with the application but cited to understand the principle or theory underlying the invention

"X" document of particular relevance; the claimed invention cannot be considered novel or cannot be considered to involve an inventive step when the document is taken alone

"Y" document of particular relevance; the claimed invention cannot be considered to involve an inventive step when the document is combined with one or more other such documents, such combination being obvious to a person skilled in the art.

"&amp;" document member of the same patent family

Date of the actual completion of the international search

13 October 2006

Date of mailing of the international search report

25/10/2006

Name and mailing address of the ISA/

European Patent Office, P.B. 5818 Patentlaan 2  
NL - 2280 HV Rijswijk  
Tel. (+31-70) 340-2040, Tx. 31 651 epo nl,  
Fax: (+31-70) 340-3016

Authorized officer

Shmonin, Vladimir

## INTERNATIONAL SEARCH REPORT

International application No

PCT/US2006/019705

C(Continuation). DOCUMENTS CONSIDERED TO BE RELEVANT

Category*	Citation of document, with indication, where appropriate, of the relevant passages	Relevant to claim No.
Y	US 2001/055931 A1 (KHAMPHILAVONG LISA [US] ET AL) 27 December 2001 (2001-12-27) abstract; figure 1 -----	14-16

# INTERNATIONAL SEARCH REPORT

Information on patent family members

International application No PCT/US2006/019705
---

Patent document cited in search report	Publication date	Publication date	Patent family member(s)	Publication date
US 6702643	B1	09-03-2004	NONE	
US 4973286	A	27-11-1990	AR 246188 A1	29-07-1994
US 4600399	A	15-07-1986	JP 59071693 U JP 63017517 Y2	15-05-1984 18-05-1988
GB 2256598	A	16-12-1992	JP 2519125 Y2 JP 4136291 U US 5320573 A	04-12-1996 18-12-1992 14-06-1994
US 2001055931	A1	27-12-2001	NONE	