



US00D369479S

# United States Patent [19]

[11] Patent Number: **Des. 369,479**

Natuzzi et al.

[45] Date of Patent: **\*\*May 7, 1996**

[54] SEAT

[75] Inventors: **Pasquale Natuzzi**, Santeramo In Colle;  
**Domenico Abbruzzese**, Gioia del Colle,  
both of Italy

[73] Assignee: **Industrie Natuzzi, Spa**, Bari, Italy

[\*\*] Term: **14 Years**

[21] Appl. No.: **21,247**

[22] Filed: **Apr. 13, 1994**

[52] U.S. Cl. .... **D6/381**; D6/335

[58] Field of Search ..... D6/334, 335, 336,  
D6/364, 371, 373, 381, 500, 501, 502;  
297/232

### [56] References Cited

#### U.S. PATENT DOCUMENTS

D. 284,046 6/1986 Staats et al. .... D6/335

#### OTHER PUBLICATIONS

Blackwelders, ©1979, p. 73, sofa "C" at mid-page left.  
Abitare Identikit, pp. 4-5, sofa at right (p. 5).  
Woodward & Lothrop, Fall 1985 catalog, p. 18, sofa in  
background of bottom frame.  
The Rowe Show Place Brochure, sofa third down from top  
on right.  
Lazarus, Aug. 2, 1992, p. 12, sofa at bottom.  
Natuzzi Model No. 452 Oct. 1988 at International Home  
Furnishings Market in High Point, NC.  
Natuzzi Model No. 600/601 Oct. 1987 at International  
Home Furnishings Market in High Point, NC.  
Natuzzi Model No. 604/605 Oct. 1987 at International  
Home Furnishings Market in High Point, NC.  
Natuzzi Model No. 616/617 Oct. 1988 at International  
Home Furnishings Market in High Point, NC.  
Natuzzi Model No. 619 Oct. 1988 at International Home  
Furnishings Market in High Point, NC.  
Natuzzi Model No. 622/623 Oct. 1988 at International  
Home Furnishings Market in High Point, NC.  
Natuzzi Model No. 731 Oct. 1989 at International Home  
Furnishings Market in High Point, NC.

Natuzzi Model No. 745 Apr. 1990 at International Home  
Furnishings Market in High Point, NC.  
Natuzzi Model No. 764 Apr. 1990 at International Home  
Furnishings Market in High Point, NC.  
Natuzzi Model No. 768 Apr. 1990 at International Home  
Furnishings Market in High Point, NC.  
Natuzzi Model No. 821 Apr. 1991 at International Home  
Furnishings Market in High Point, NC.  
Natuzzi Model No. 877 Oct. 1991 at International Home  
Furnishings Market in High Point, NC.  
Natuzzi Model No. 907 Apr. 1992 at International Home  
Furnishings Market in High Point, NC.  
Natuzzi Model No. 971 Oct. 1992 at International Home  
Furnishings Market in High Point, NC.  
Natuzzi Model No. 972 Oct. 1992 at International Home  
Furnishings Market in High Point, NC.  
Natuzzi Model No. 1037 Apr. 1993 at International Home  
Furnishings Market in High Point, NC.  
Natuzzi Model No. 1039 Apr. 1993 at International Home  
Furnishings Market in High Point, NC.

*Primary Examiner*—Gary D. Watson  
*Attorney, Agent, or Firm*—Bell, Seltzer, Park & Gibson

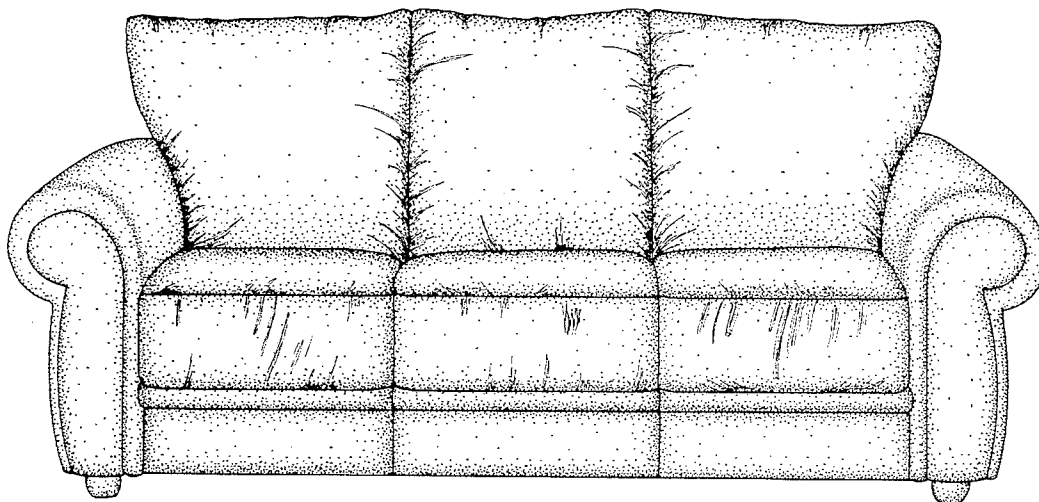
### [57] CLAIM

The ornamental design for a seat, as shown and described.

### DESCRIPTION

FIG. 1 is a perspective view of a seat showing our new  
design in the form of a sofa thereof;  
FIG. 2 is a front elevational view;  
FIG. 3 is a top plan view;  
FIG. 4 is a right side elevational view, and the left side  
elevational view being a mirror image thereof;  
FIG. 5 is a rear perspective view of FIG. 1;  
FIG. 6 is a perspective view of a seat of furniture showing  
our new design in the form of a sectional thereof;  
FIG. 7 is a top plan view of FIG. 6;  
FIG. 8 is a left side elevational view of FIG. 6;  
FIG. 9 is a right side elevational view of FIG. 6;  
FIG. 10 is a left rear perspective view of FIG. 6; and,  
FIG. 11 is a right rear perspective view of FIG. 6.

**1 Claim, 6 Drawing Sheets**



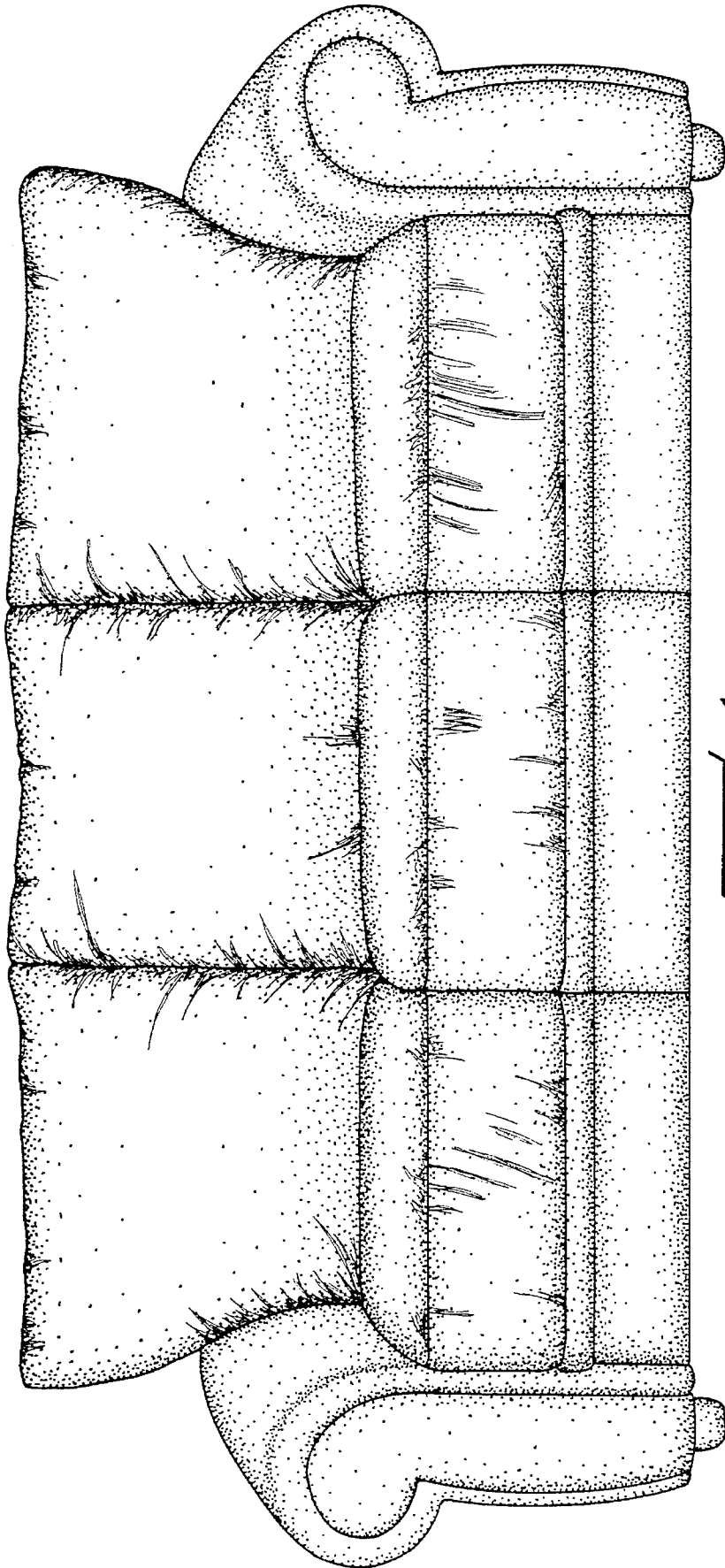
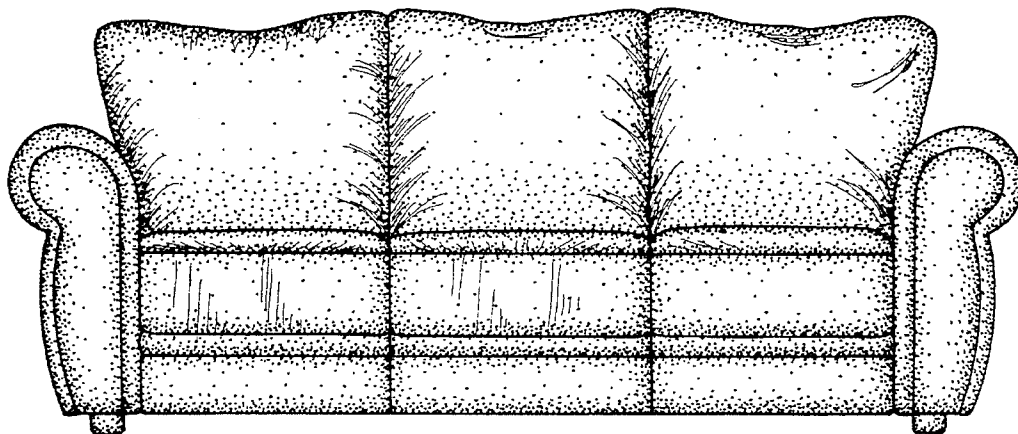
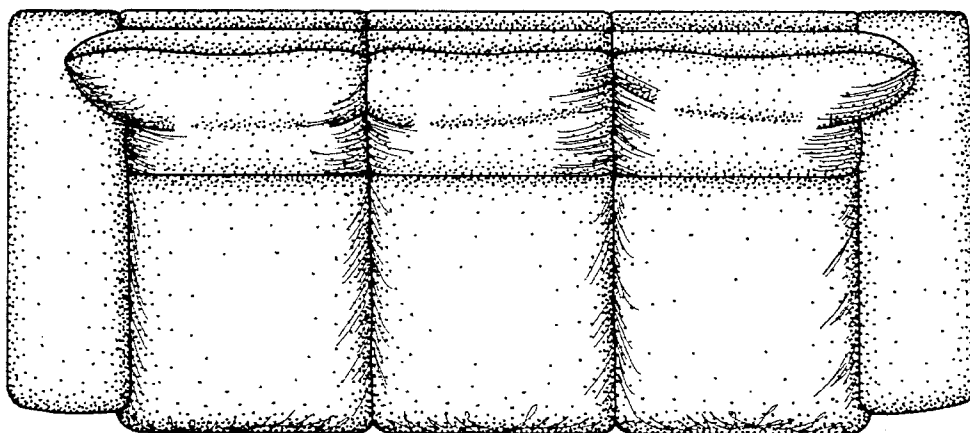


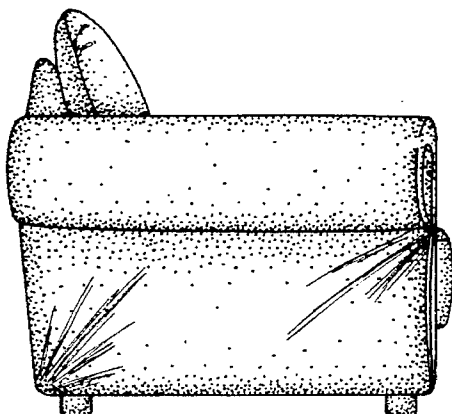
Fig. 1



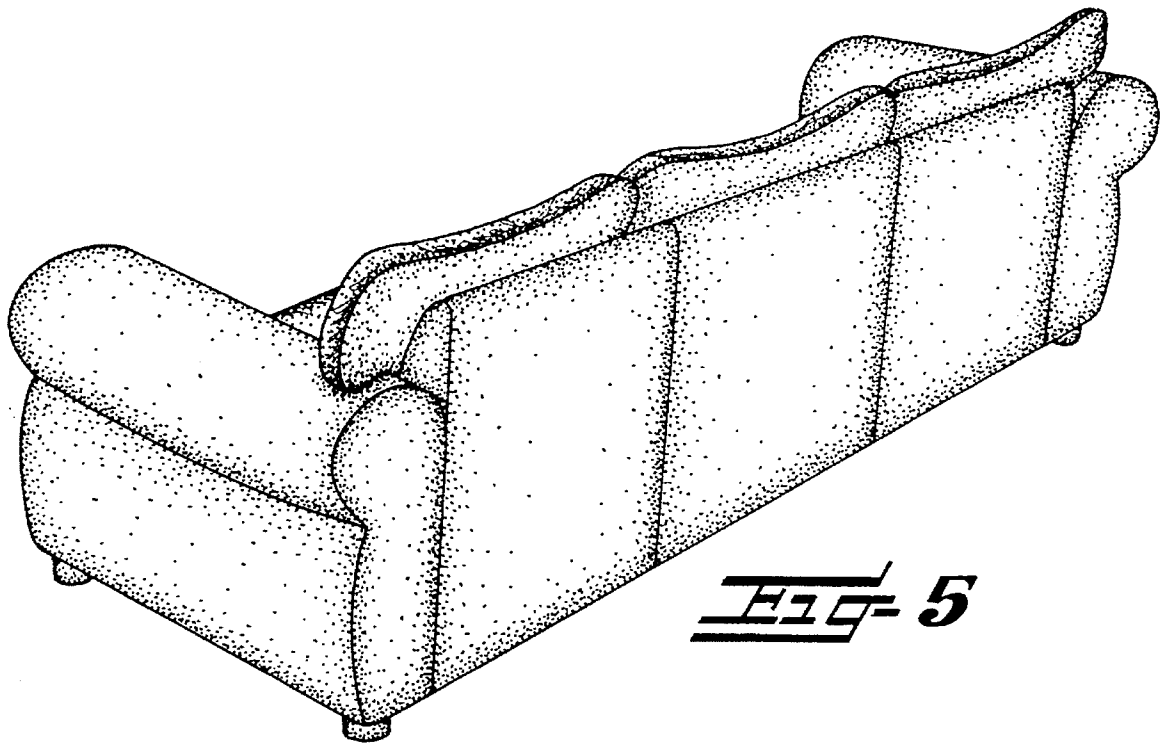
**FIG- 2**



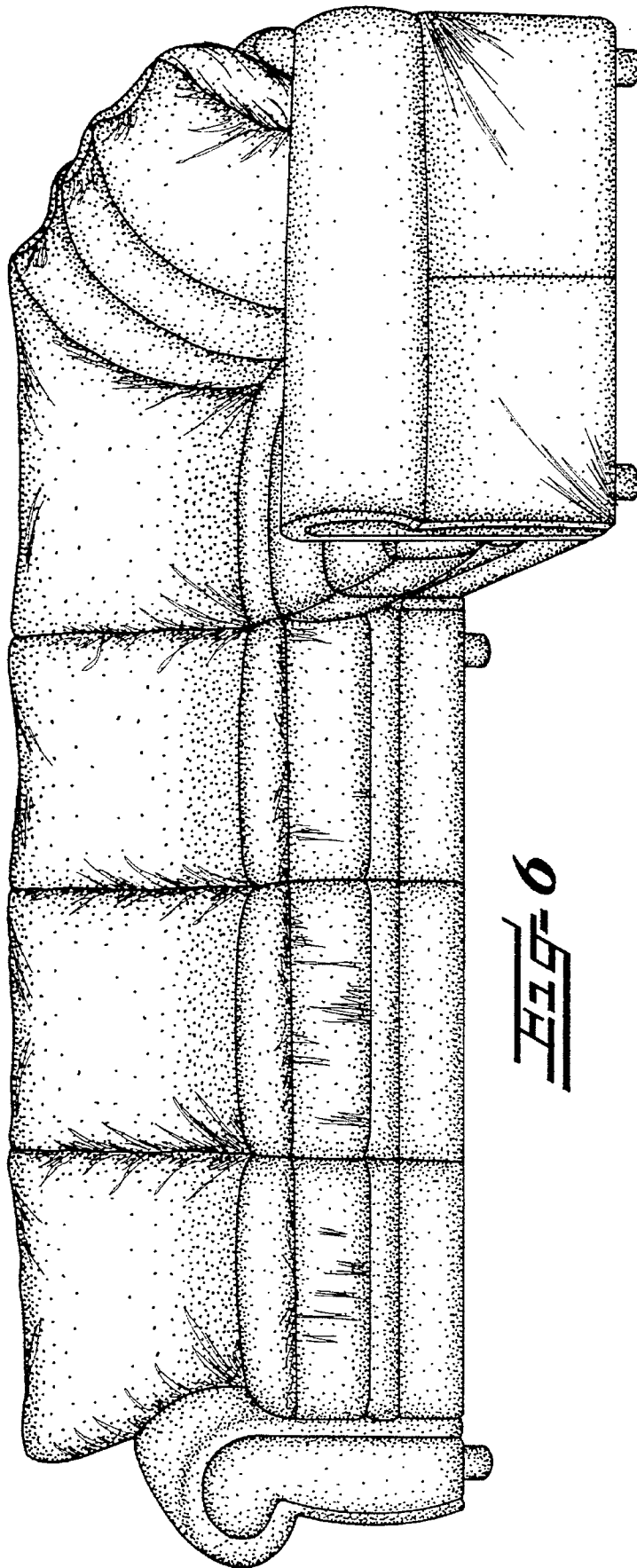
**FIG- 3**

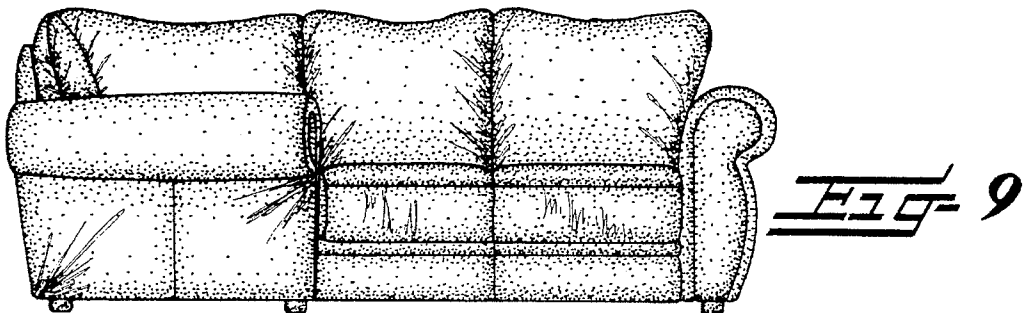
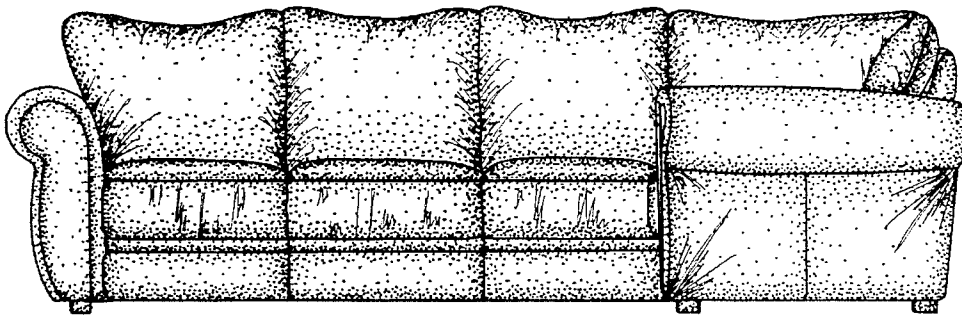
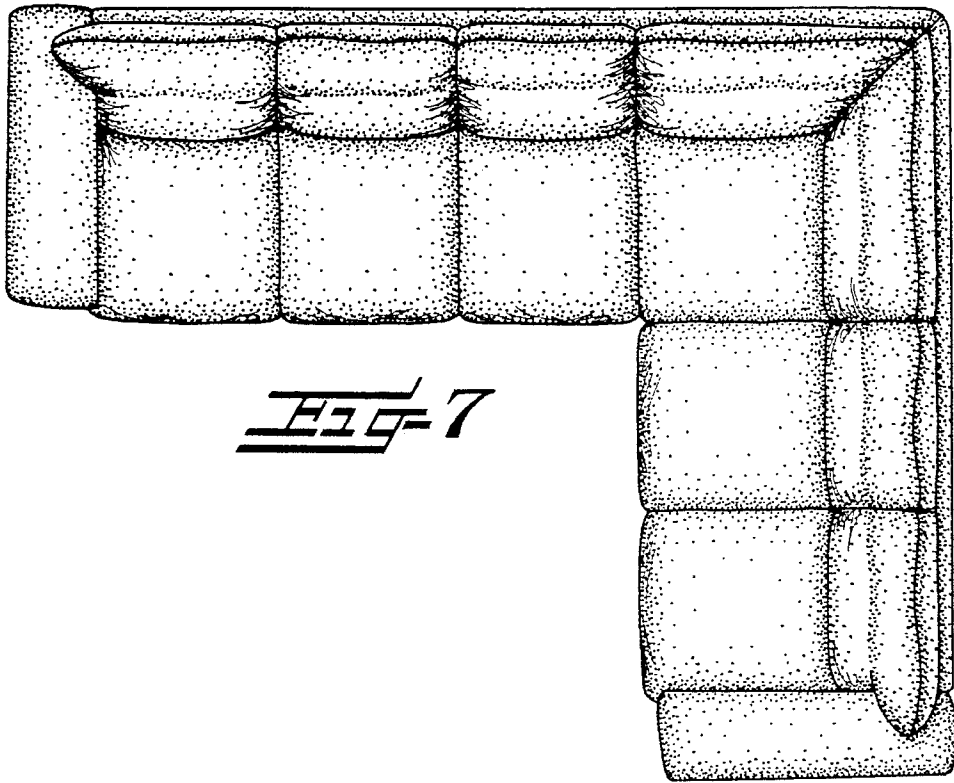


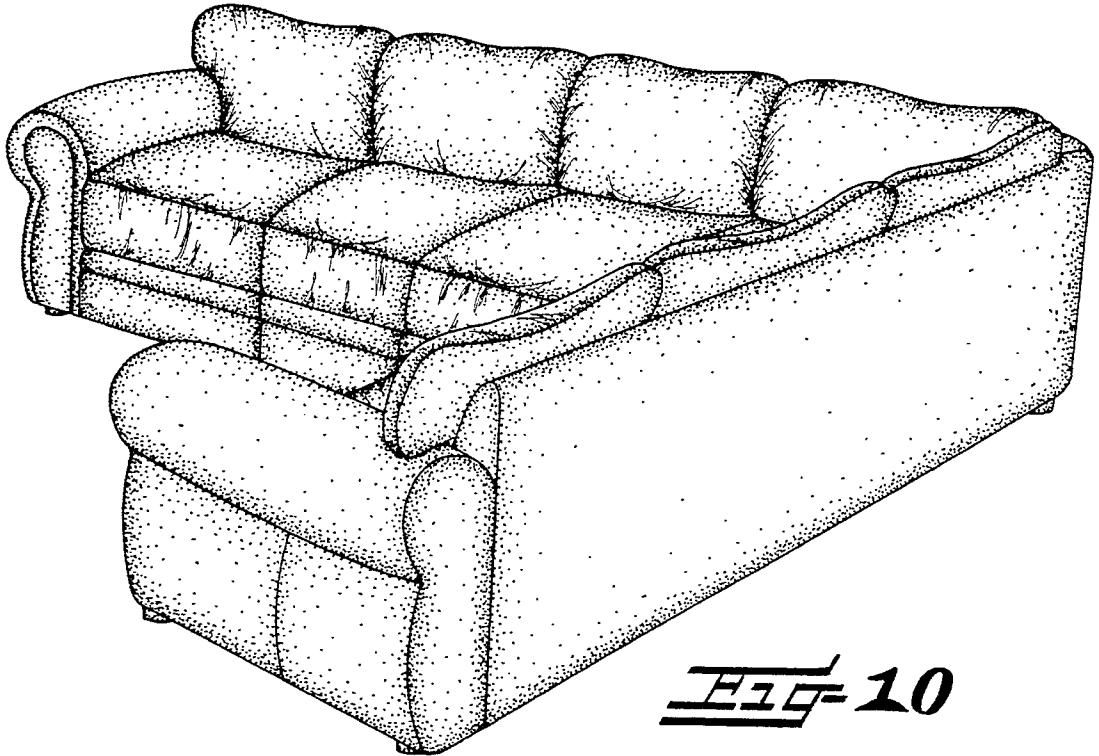
**FIG- 4**



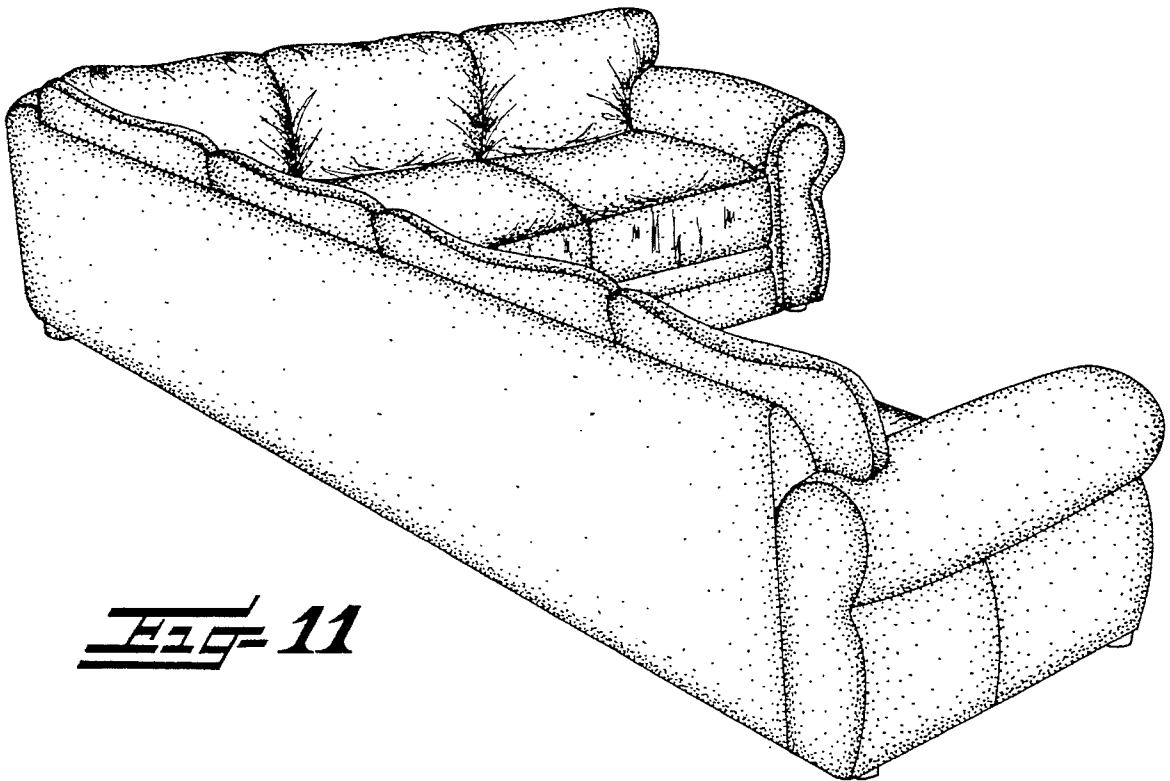
**FIG- 5**







**FIG. 10**



**FIG. 11**