



(12) **United States Design Patent**
Ishii

(10) **Patent No.:** **US D1,065,360 S**
(45) **Date of Patent:** **** Mar. 4, 2025**

(54) **TRANSFORMABLE TOY**

- (71) Applicant: **EPOCH COMPANY, LTD**, Tokyo (JP)
- (72) Inventor: **Eriko Ishii**, Tokyo (JP)
- (73) Assignee: **EPOCH COMPANY, LTD.**, Tokyo (JP)
- (**) Term: **15 Years**
- (21) Appl. No.: **29/875,149**
- (22) Filed: **Apr. 28, 2023**

(30) **Foreign Application Priority Data**

Nov. 7, 2022 (JP) 2022-024067 D

- (51) **LOC (15) Cl.** **21-01**
- (52) **U.S. Cl.**
- USPC **D21/533**; D21/483; D21/535; D21/560
- (58) **Field of Classification Search**
- USPC D21/550, 533, 483, 552, 557, 548, 427, D21/433, 549, 559, 561, 434, 560, 426; D12/82, 93
- CPC A63H 7/04; A63H 17/25; A63H 33/007
- See application file for complete search history.

(56) **References Cited**

U.S. PATENT DOCUMENTS

D269,818 S *	7/1983	Ament	D11/158
D292,581 S *	11/1987	Yoshiharu	379/434
D345,400 S *	3/1994	Pachol	D21/585
D389,200 S *	1/1998	Madsen	D21/464
D405,240 S *	2/1999	Weiss	D2/897
D440,680 S *	4/2001	Hickmann	D26/94
D672,526 S *	12/2012	Lee	D1/115
D862,833 S *	10/2019	de Bue	D1/106
D884,306 S *	5/2020	van Eyk	D1/106
D948,164 S *	4/2022	van Eyk	D1/106
D1,002,144 S *	10/2023	Taselaridis	D1/129

(Continued)

FOREIGN PATENT DOCUMENTS

CN	306604844	*	6/2021
CN	307550229	*	9/2022
WO	WOD227133-005	*	2/2024

OTHER PUBLICATIONS

Calico Critters Website, Calico Critters Hamburger Stand, no Available Date [Website Visited Aug. 7, 2024] Available on the Internet URL <https://store.calicocritters.com/new/CC2174.html> (Year: 2024).*

(Continued)

Primary Examiner — S. Bryan Reinholdt, Jr.
Assistant Examiner — James T Tyree
(74) *Attorney, Agent, or Firm* — Fitzgerald IP Law; John K Fitzgerald, Esq.

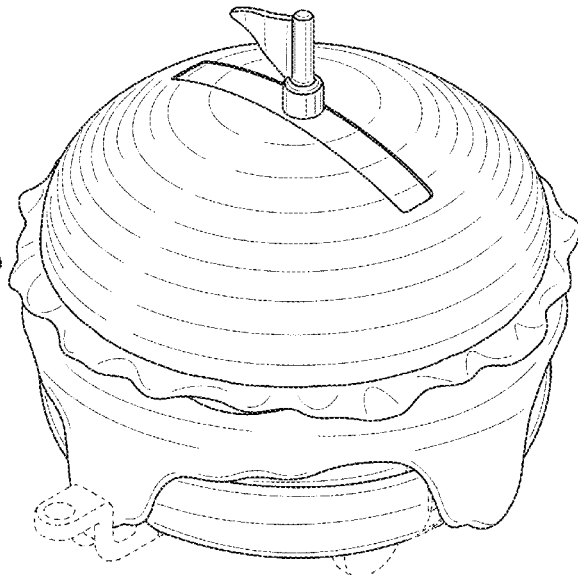
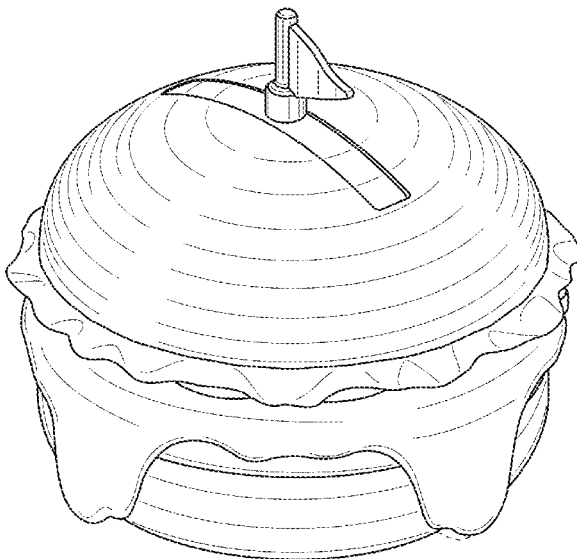
(57) **CLAIM**

The ornamental design for a transformable toy as shown and described.

DESCRIPTION

FIG. 1 is a perspective view of the front, top, and right side of a transformable toy showing my new design; FIG. 2 is a perspective view of the rear, top, and left side thereof; FIG. 3 is a front view thereof; FIG. 4 is a rear view thereof; FIG. 5 is a top view thereof; FIG. 6 is a right side view thereof; and, FIG. 7 is a left side view thereof. The broken lines shown are included for the purpose of illustrating portions of the article which form no part of the claimed design. The bottom view is flat and devoid of surface ornamentation and has therefore been omitted from the drawings.

1 Claim, 7 Drawing Sheets



(56)

References Cited

U.S. PATENT DOCUMENTS

2024/0065292 A1* 2/2024 Anand A23K 20/147
2024/0149182 A1* 5/2024 Kamiyama A63H 33/003

OTHER PUBLICATIONS

Amazon Website, Tookyland Hamburger Stacking Toys, Earliest
Comment Date: Jul. 10, 2023[Website Visited Aug. 7, 2024]
Available on the Internet URL [https://www.amazon.com/dp/
B0C1BR8W4T/](https://www.amazon.com/dp/B0C1BR8W4T/) (Year: 2023).*

Amazon Website, Urfurty Hamburger Toys, Earliest Comment
Date: Jul. 10, 2023[Website Visited Feb. 5, 2024] Available on the
Internet URL <https://www.amazon.com/dp/B0CQ46NYJM?th=1> (Year:
2024).*

* cited by examiner

FIG. 1

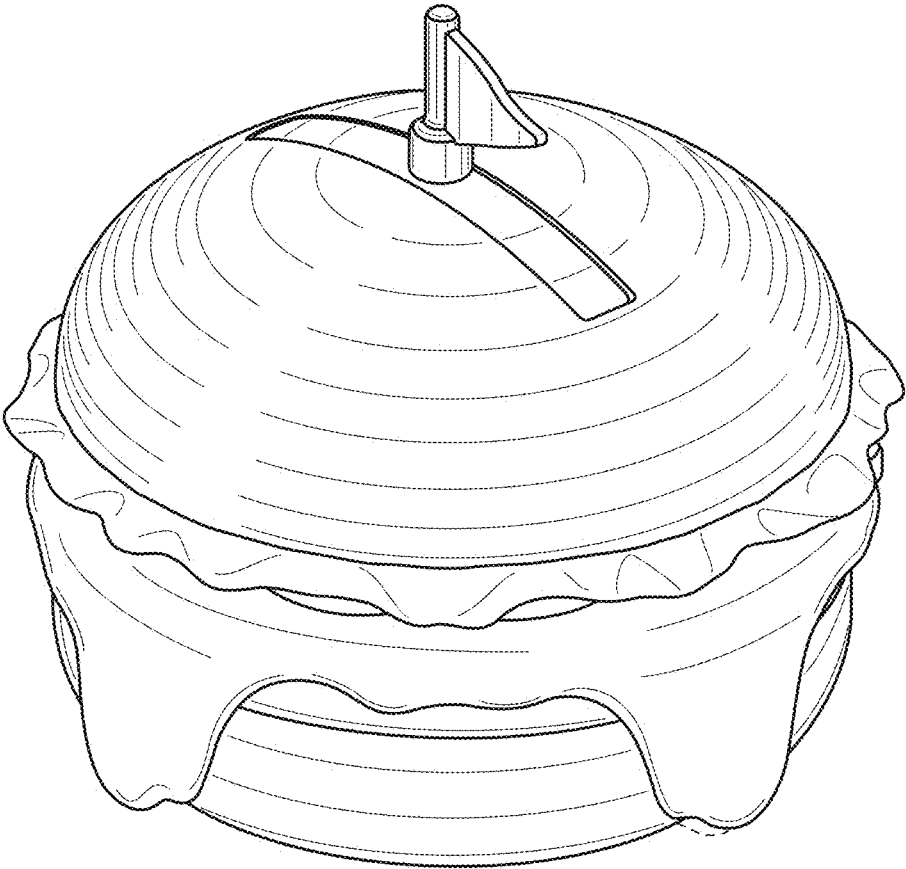


FIG. 2

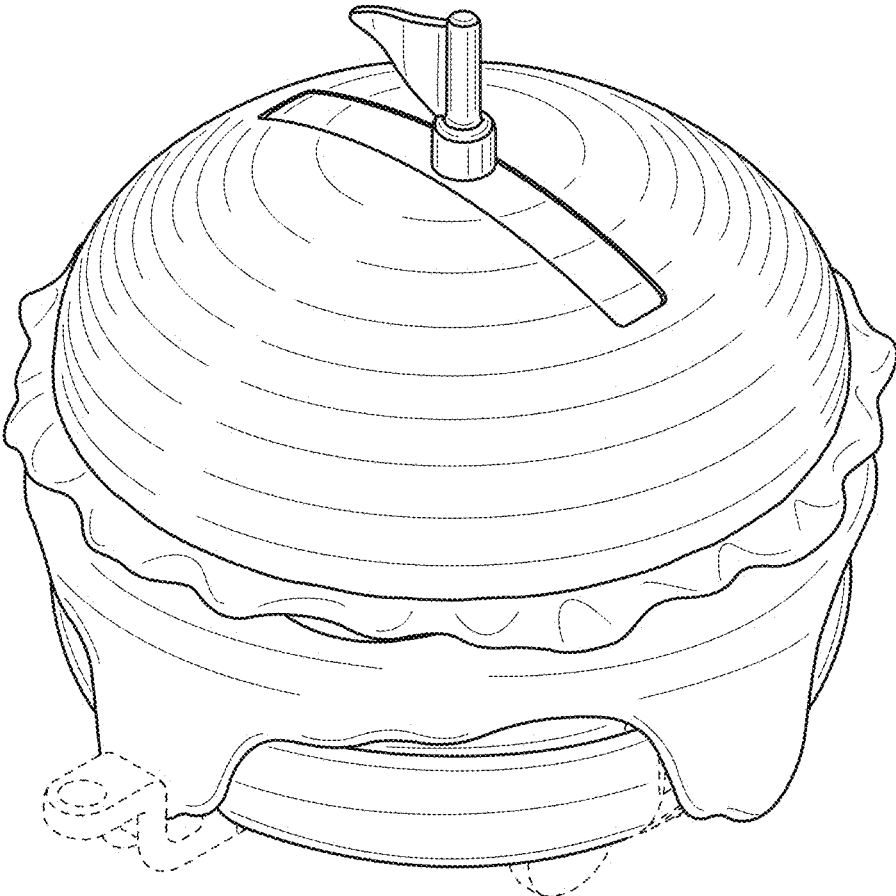


FIG. 3

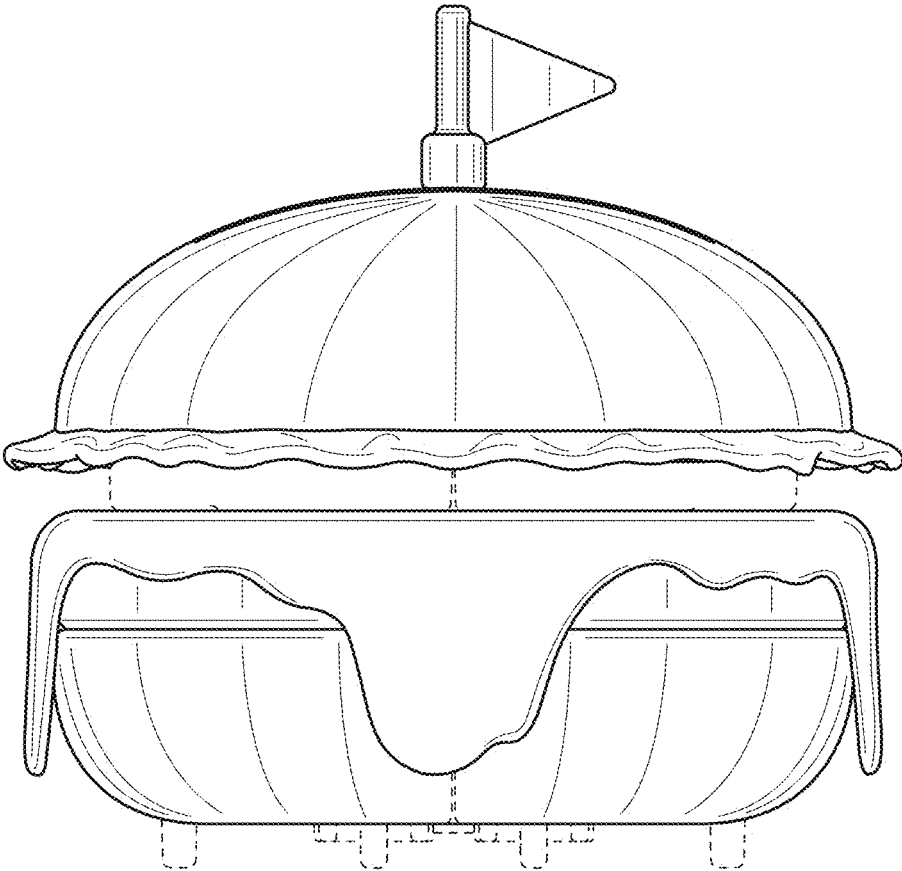


FIG. 4

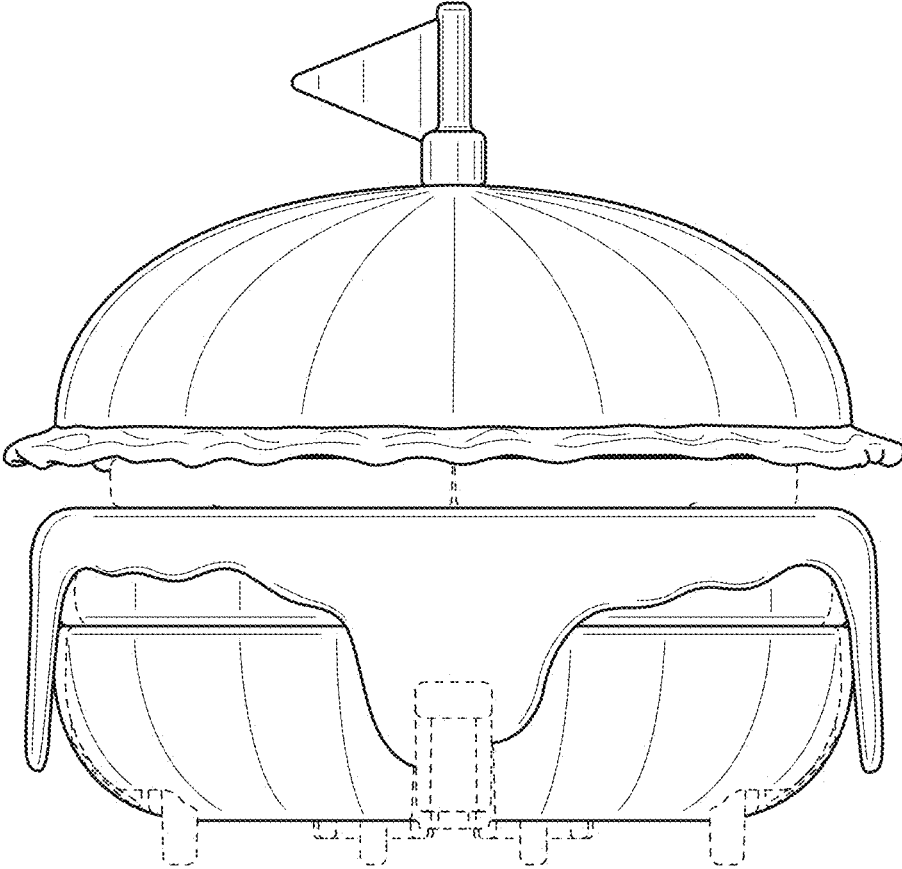


FIG. 5

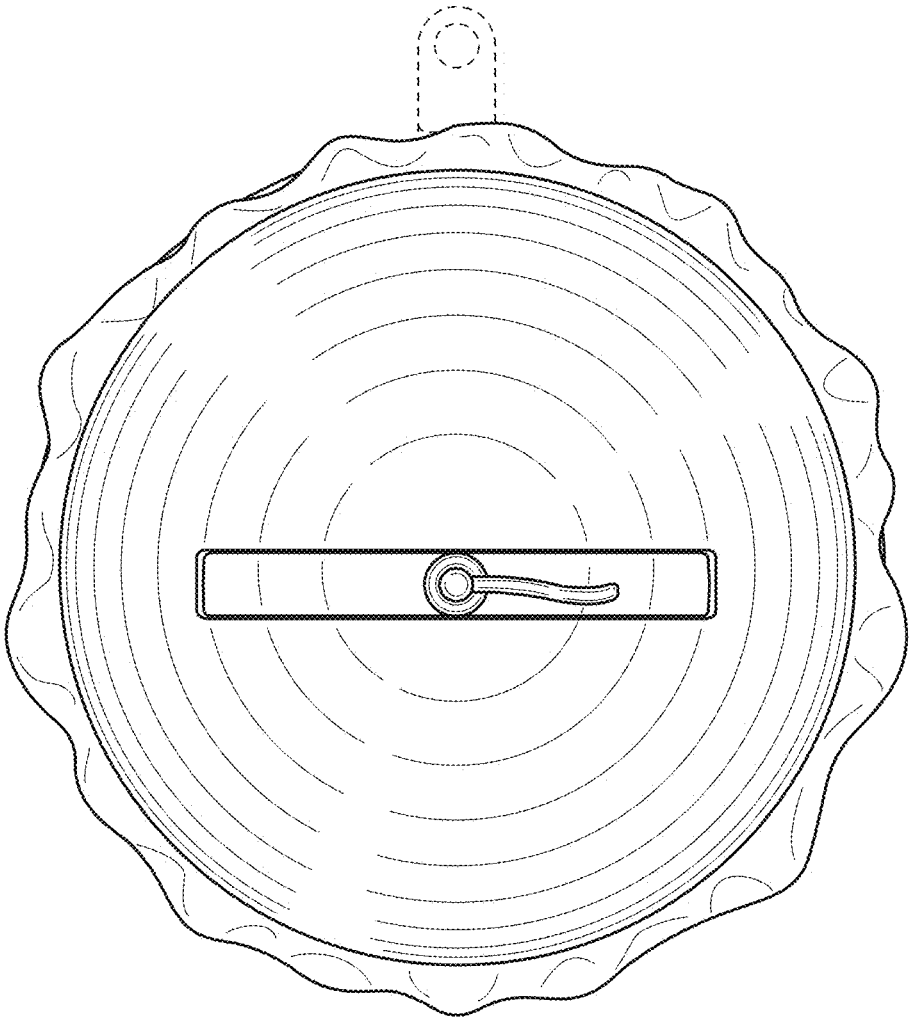


FIG. 6

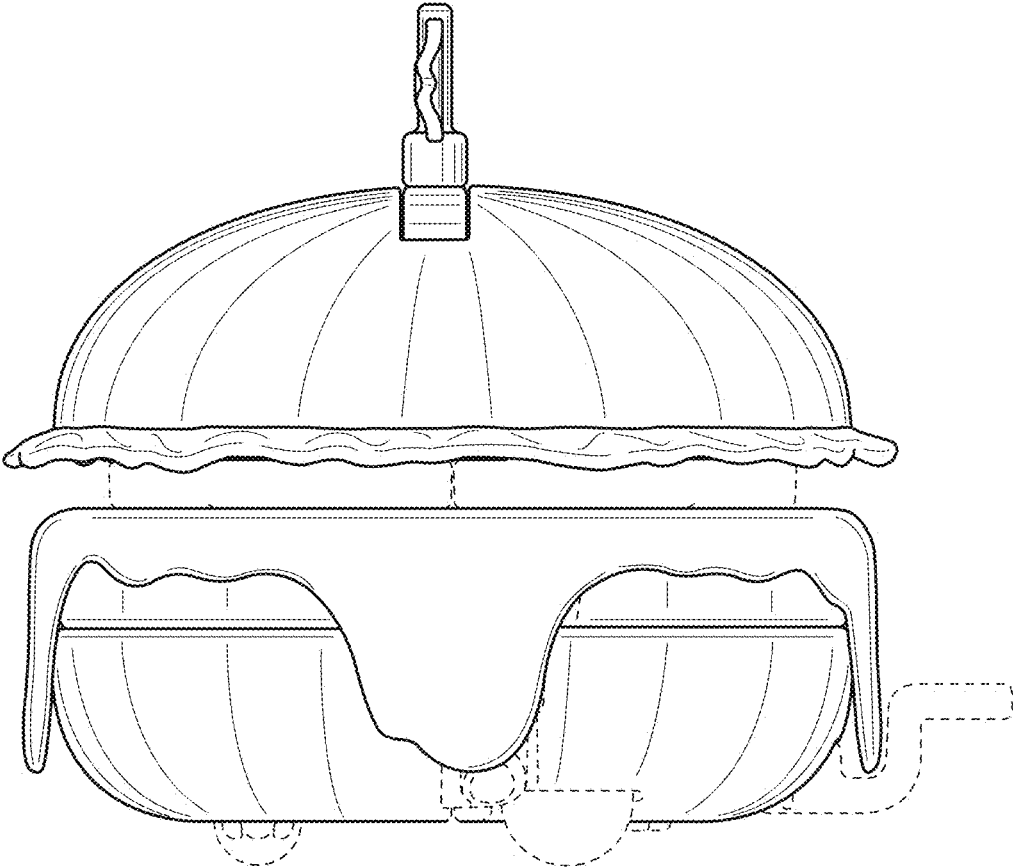


FIG. 7

