



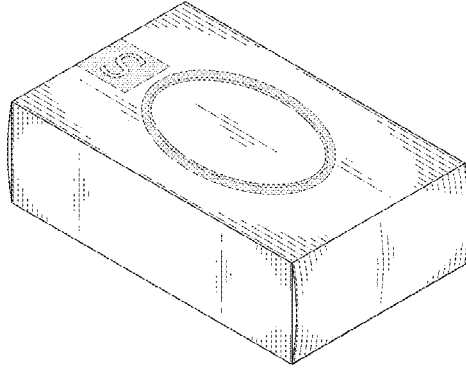
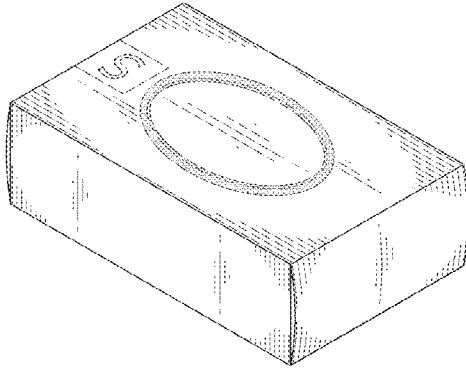
(12) **United States Design Patent**  
**Burke et al.**

(10) **Patent No.:** **US D820,675 S**  
(45) **Date of Patent:** **\*\* Jun. 19, 2018**

- (54) **PACKAGE**
- (71) Applicant: **Medline Industries, Inc.**, Northfield, IL (US)
- (72) Inventors: **Damian Burke**, Lake Zurich, IL (US);  
**Mark Vanderhulst**, Chicago, IL (US);  
**Emily Somers**, Cary, IL (US)
- (73) Assignee: **Medline Industries, Inc.**, Northfield, IL (US)
- (\*\*) Term: **15 Years**
- (21) Appl. No.: **29/577,636**
- (22) Filed: **Sep. 14, 2016**
- (51) **LOC (11) Cl.** ..... **09-03**
- (52) **U.S. Cl.**  
USPC ..... **D9/432; D9/433**
- (58) **Field of Classification Search**  
USPC ..... D9/414-434, 442-445, 456, 457, 542,  
D9/563, 600, 614-624, 655, 657, 658,  
D9/661, 685, 695, 697-699, 707, 708,  
D9/711, 754, 759, 772-776; D3/273,  
D3/276, 304, 305, 307, 309-313;  
D7/601, 602, 709; D6/560, 653-655,  
D6/662, 667, 705, 706; D19/75, 90  
CPC ..... B65D 5/00; B65D 5/001; B65D 5/0015;  
B65D 5/0227-5/0254; B65D 5/18; B65D  
5/38; B65D 5/40; B65D 5/6605; B65D  
5/48024; B65D 1/22; B65D 1/24; B65D  
1/34; B65B 5/06  
See application file for complete search history.

D256,437 S	8/1980	Faller	
D267,476 S	1/1983	Boedeker	
RE33,979 E	6/1992	Cortopassi	
D385,743 S	11/1997	Eldridge	
D417,077 S *	11/1999	Sheu	D3/294
D423,359 S	4/2000	MacLean	
D423,772 S *	5/2000	Cooper	D3/201
D429,437 S	8/2000	Valenti	
D453,876 S	2/2002	Moor	
D456,652 S	5/2002	Smith	
D465,364 S	11/2002	Childs	
D466,807 S	12/2002	Buck	
D476,764 S	7/2003	Khovaylo	
6,681,983 B2	1/2004	Bill-Moore	
D488,298 S	4/2004	Freeman	
6,766,919 B2 *	7/2004	Huang	B65D 83/0805 206/210
D504,314 S	4/2005	Kim	
D531,801 S	11/2006	Sakaguchi	
D536,130 S *	1/2007	Jekel	D28/8.1
D552,428 S	10/2007	Zeiron	
D553,977 S	10/2007	Shiyya	
D553,978 S	10/2007	Shiyya	
D563,219 S	3/2008	Okin	
D587,998 S	3/2009	Kaisanlahti	
D603,270 S	11/2009	Kusumi	
D608,660 S	1/2010	Mau	
D610,447 S	2/2010	Seum	
D611,545 S	3/2010	Williams	
D615,078 S *	5/2010	Bradley	D14/250
D617,127 S	6/2010	Wang	
D619,015 S	7/2010	Kusumi	
D619,098 S	7/2010	Mike	
D622,590 S	8/2010	Tayama	
D632,172 S	2/2011	Harvey	
D635,454 S	4/2011	Witte	
D637,497 S	5/2011	Lee	
8,006,893 B2	8/2011	Burke	
D644,979 S	9/2011	Wenrick	
D647,791 S	11/2011	Schmitt	
D649,040 S	11/2011	Sanders	
D651,831 S	1/2012	Becherer	
D651,908 S	1/2012	Boyer	
D651,914 S	1/2012	Boyer	
D652,295 S	1/2012	Hipperson	
D652,311 S	1/2012	Boyer	
D653,854 S	2/2012	Chamberlain	
D655,189 S	3/2012	Boyer	
D656,406 S	3/2012	Boyer	
D656,836 S	4/2012	Boyer	
D658,610 S	5/2012	Bang	
D663,198 S	7/2012	White	
D671,421 S	11/2012	Lee	

- (56) **References Cited**  
**U.S. PATENT DOCUMENTS**  
3,071,882 A 1/1963 Eisman  
3,790,064 A 2/1974 Kramer  
3,790,069 A 2/1974 Straccamore  
3,792,810 A 2/1974 Tingley  
4,199,097 A 4/1980 Christensson  
4,200,200 A \* 4/1980 Hein, III ..... A47K 10/421  
221/48



D678,760 S	3/2013	Cooper	
D678,762 S	3/2013	Cooper	
D678,778 S	3/2013	Lee	
D679,582 S	4/2013	Witte	
D680,859 S	4/2013	Levy	
D683,630 S	6/2013	Lee	
D686,505 S	7/2013	Uemura	
D687,706 S	8/2013	Akana	
D688,560 S	8/2013	Kwon	
D692,180 S *	10/2013	Dietvorst	D28/8.1
D693,678 S	11/2013	Kanchan	
8,646,653 B2	2/2014	Lien	
D702,765 S	4/2014	Williams	
D706,129 S	6/2014	Boraczek	
D706,627 S	6/2014	Olsson	
D706,628 S	6/2014	Palmer	
D706,640 S	6/2014	Lee	
D708,069 S *	7/2014	Park	D9/432
D709,364 S	7/2014	Olsson	
D709,953 S	7/2014	Williams	
D711,601 S	8/2014	Robbins	
D712,737 S	9/2014	Gotur	
8,881,903 B2	11/2014	Vulgamott	
D719,462 S	12/2014	Kanda	
D741,710 S	10/2015	Katopo	
D742,243 S	11/2015	Allen	
D749,414 S	2/2016	Choi	
D749,962 S	2/2016	Gorbatiuk	
D753,487 S	4/2016	Wells	
D753,871 S	4/2016	Aspgren	
D755,910 S	5/2016	Randazzo	
D760,072 S	6/2016	Lutz	
D760,434 S *	6/2016	Schmaelzle	D28/8.1
D768,481 S	10/2016	Gagliardo	
D770,299 S	11/2016	Andrews	
D776,457 S	1/2017	Palmer	
D777,468 S	1/2017	Currier	
D778,729 S	2/2017	Spenceman	
D781,701 S	3/2017	Brody	
D787,320 S	5/2017	Gill	
D789,785 S	6/2017	Fujiwara	
D793,229 S	8/2017	Meneaud	
D796,562 S *	9/2017	Iu	D15/138
D804,943 S	12/2017	Richmond	
2005/0056690 A1	3/2005	Clapper	
2006/0102706 A1	5/2006	Spivey	
2006/0131370 A1	6/2006	Bates	
2007/0210096 A1	9/2007	Ellswood	
2014/0020700 A1	1/2014	Park	
2017/0073102 A1	3/2017	Borasi	

FOREIGN PATENT DOCUMENTS

CA	2132425 C	1/2000
KR	3020060006367	2/2006

OTHER PUBLICATIONS

Household Tissue Boxes Paper Storage Box Tissue Box Holder. Online, published date unknown. Retrieved on Sep. 26, 2017 from URL: [https://www.amazon.com/Household-Tissue-Boxes-Storage-Holder/dp/B01L1K9Y36/ref=sr\\_1\\_11?ie=UTF8&qid=1506446688&sr=8-11&keywords=mirrored+tissue+box+cover](https://www.amazon.com/Household-Tissue-Boxes-Storage-Holder/dp/B01L1K9Y36/ref=sr_1_11?ie=UTF8&qid=1506446688&sr=8-11&keywords=mirrored+tissue+box+cover).\*

Kleenex 21606CT White Facial Tissue. Online, published date unknown. Retrieved on Aug. 9, 2017 from URL: [https://www.amazon.com/Kleenex-21606CT-Facial-Tissue-Pop-Up/dp/B0040ZOF2U/ref=pd\\_sim\\_328\\_1?encoding=UTF8&pd\\_rd\\_i=30040ZOF2U&pd\\_rd\\_r=1PYH02PEVDBTT5RCQ4KB&pd\\_rd\\_w=vISal&pd\\_rd\\_wg=gFq5l&ppsc=1&refRID=1PYH02PEVDBTT5RC](https://www.amazon.com/Kleenex-21606CT-Facial-Tissue-Pop-Up/dp/B0040ZOF2U/ref=pd_sim_328_1?encoding=UTF8&pd_rd_i=30040ZOF2U&pd_rd_r=1PYH02PEVDBTT5RCQ4KB&pd_rd_w=vISal&pd_rd_wg=gFq5l&ppsc=1&refRID=1PYH02PEVDBTT5RC).

White Shabby Chic Vintage Roses Paper Napkin Box. Online, published date unknown. Retrieved on Aug. 9, 2017 from URL: <https://lphandmade.com/en/shop/for-home-and-interior/white-shabby-chic-vintage-roses-paper-napkin-box/#.WYuQZP7rtmM>.

Hale 275 Facial Tissue and Hygienic Glove Dispenser; Hale Manufacturing; product information from <http://www.haleman.co.nz/facialtissueandhygienicglovedispensers/>, publicly available at least as of Jul. 20, 2016.

Photo of Halyard Sterling SG Sensi-Guard Nitrile Exam Gloves, publicly available at least as of Jul. 20, 2016.

Photo of MediChoice® Large Nitrile Exam Gloves (box includes blue ink), publicly available at least as of May 5, 2016.

Photo-1 of MediChoice® Medium Nitrile Exam Gloves (box includes blue ink), publicly available at least as of May 5, 2016.

Photo of MediChoice® Small Latex Gloves (box includes blue ink), publicly available at least as of May 5, 2016.

Photo of MediChoice® X-Small Nitrile Exam Gloves (box includes blue ink), publicly available at least as of May 5, 2016.

Photo of MediChoice® X-Large Nitrile Exam Gloves (box includes green ink), publicly available at least as of May 5, 2016.

Photo of MediChoice® Small Stretch Vinyl Nitrile Exam Gloves (box includes green ink), publicly available at least as of May 5, 2016.

Photo-2 of MediChoice® Medium Nitrile Exam Gloves (box includes blue ink), publicly available at least as of May 5, 2016.

Photo-3 of MediChoice® Medium Nitrile Exam Gloves (box includes blue ink), publicly available at least as of May 5, 2016.

Photo of MediChoice® Large Vinyl Nitrile Exam Gloves (box includes orange ink), publicly available at least as of May 5, 2016.

Photo of MediChoice® Medium Latex Gloves (box includes purple ink), publicly available at least as of May 5, 2016.

Surface-Mounted Stainless Steel Tissue Dispenser, Model 987-11; Bradley Corporation; product information from <http://bradleycorp.com/accessories/specialty/hospitality/tissue-dispenser/>, publicly available at least as of Jul. 20, 2016.

\* cited by examiner

Primary Examiner — Garth Rademaker  
 Assistant Examiner — Omeed Agilee  
 (74) Attorney, Agent, or Firm — Fitch, Even, Tabin & Flannery LLP

(57) CLAIM

The ornamental design for a package, as shown and described.

DESCRIPTION

FIG. 1 is a top plan view of a package in accordance with a first embodiment in an unassembled blank configuration, showing our new design;

FIG. 2 is a perspective view thereof in an assembled configuration;

FIG. 3 is a top plan view thereof;

FIG. 4 is a bottom plan view thereof;

FIG. 5 is a front elevation view thereof;

FIG. 6 is a rear elevation view thereof;

FIG. 7 is a left side elevation view thereof;

FIG. 8 is a right side elevation view thereof;

FIG. 9 is a top plan view of a package in accordance with a second embodiment in an unassembled blank configuration;

FIG. 10 is a perspective view thereof in an assembled configuration;

FIG. 11 is a top plan view thereof;

FIG. 12 is a bottom plan view thereof;

FIG. 13 is a front elevation view thereof;

FIG. 14 is a rear elevation view thereof;

FIG. 15 is a left side elevation view thereof;

FIG. 16 is a right side elevation view thereof;

FIG. 17 is a perspective view thereof with the oval portion bounded by perforations removed to reveal the contents of the package;

FIG. 18 is a top plan view thereof;

FIG. 19 is a bottom plan view thereof;

FIG. 20 is a front elevation view thereof;  
FIG. 21 is a rear elevation view thereof;  
FIG. 22 is a left side elevation view thereof; and,  
FIG. 23 is a right side elevation view thereof.

The smaller, lighter dashed lines in the shape of an oval in FIGS. 1-3, 9-11, 17, and 18 represent perforations and are part of the claimed design. The longer, darker dashed lines in the shape of package contents shown in FIGS. 17, 18, and 20-23 and letter "S" shown in FIGS. 1-3, 9-11, 17, and 18 represent environmental subject matter and do not form part of the claimed design.

The surface stippling in FIGS. 1-3, 9-11, 17, and 18 represents a contrast in appearance relative to non-stippled areas.

**1 Claim, 23 Drawing Sheets**

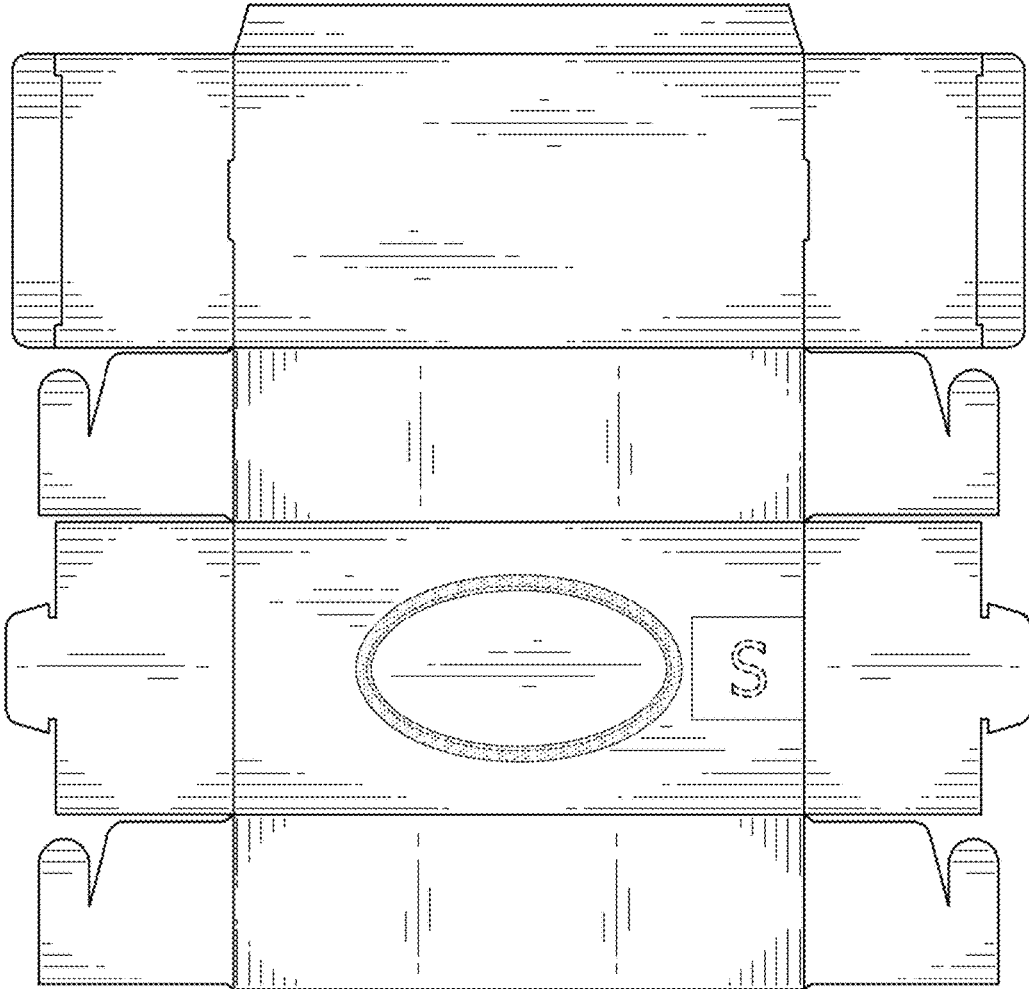


FIG. 1

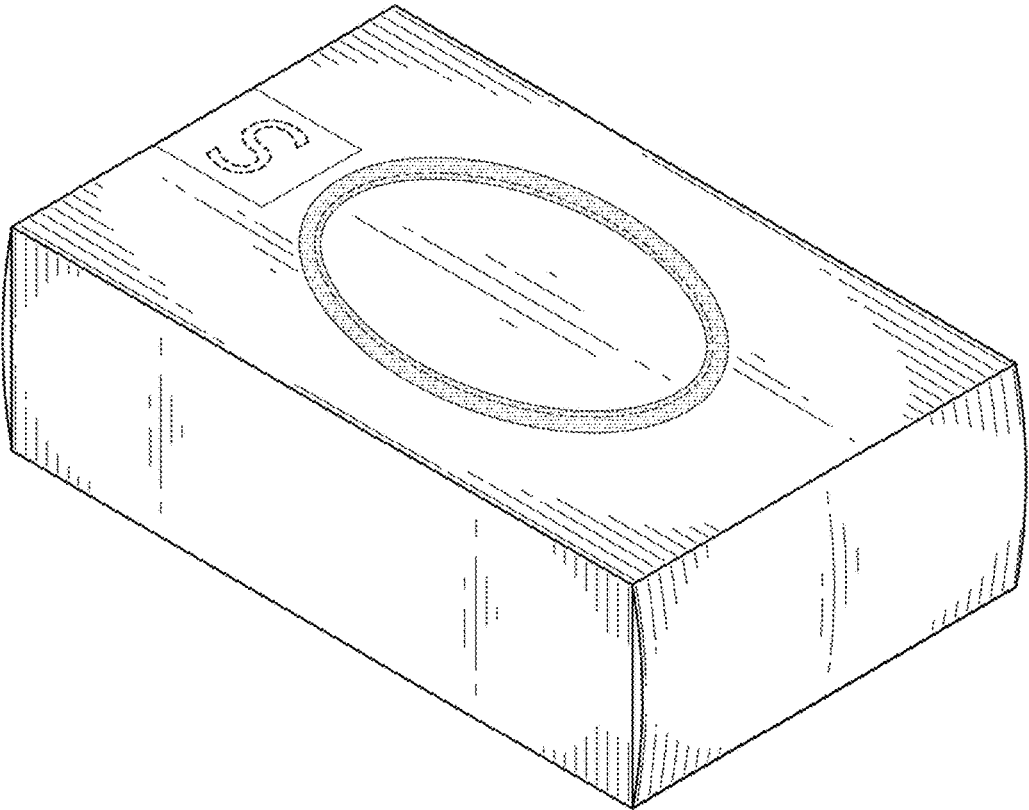


FIG. 2

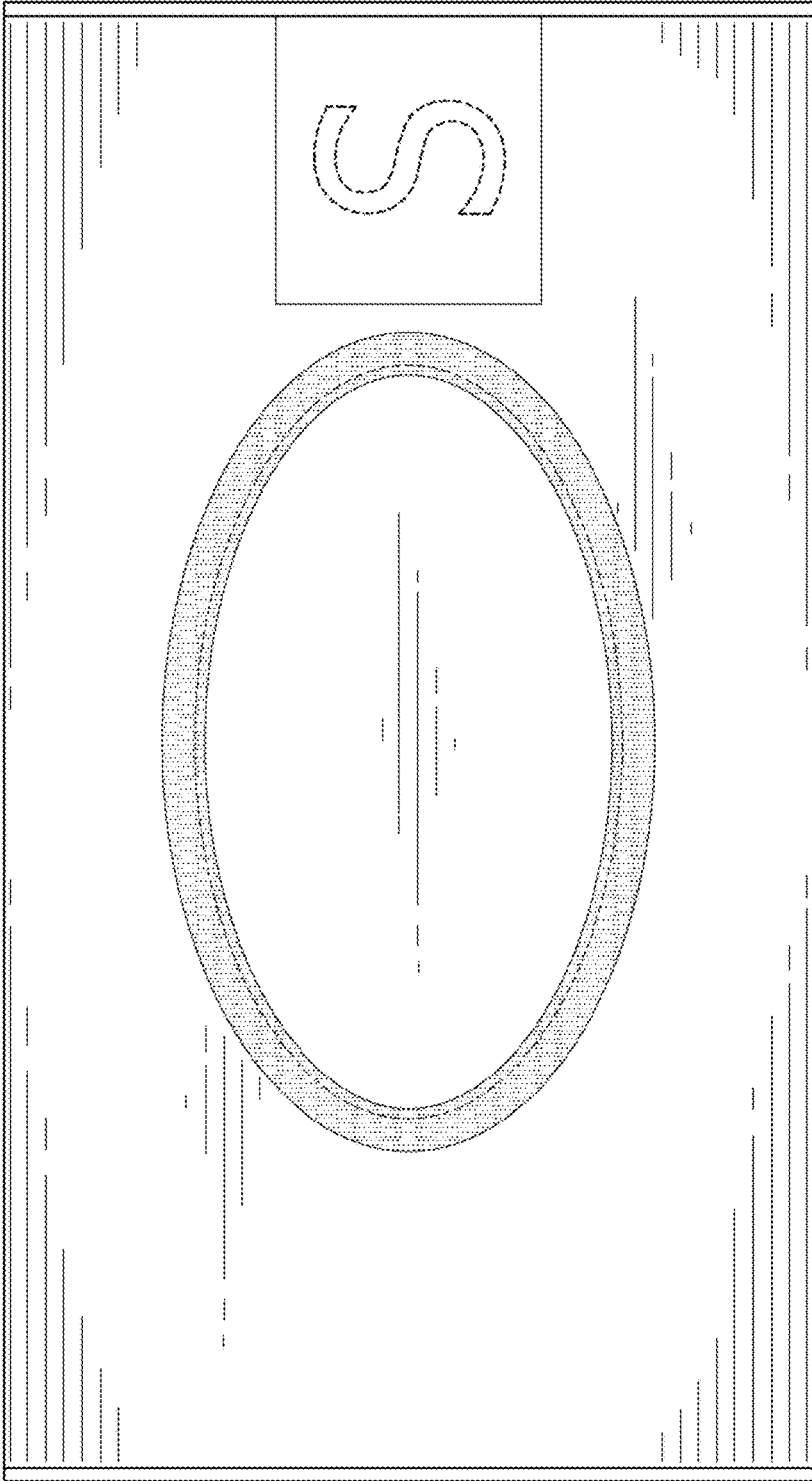


FIG. 3

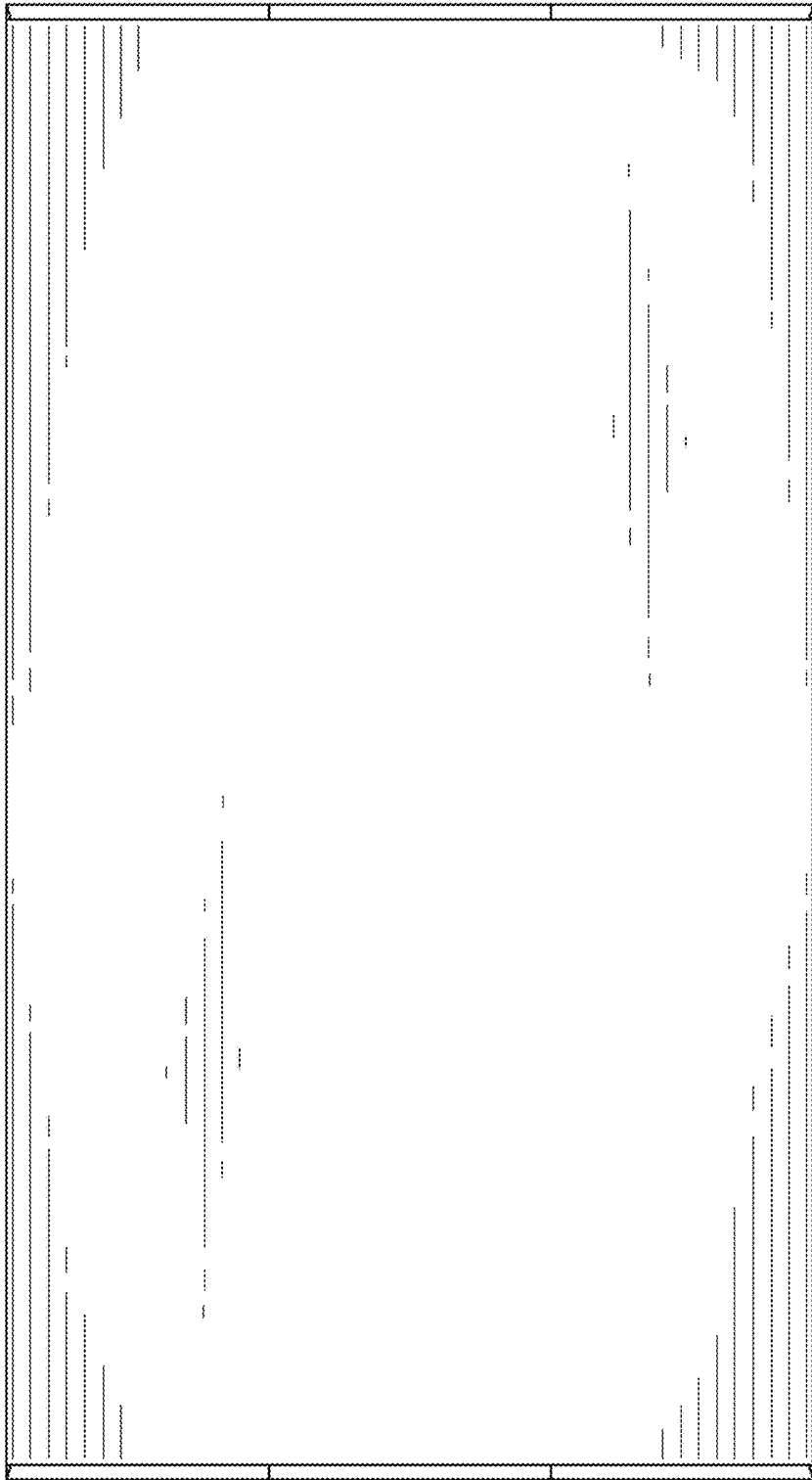


FIG. 4

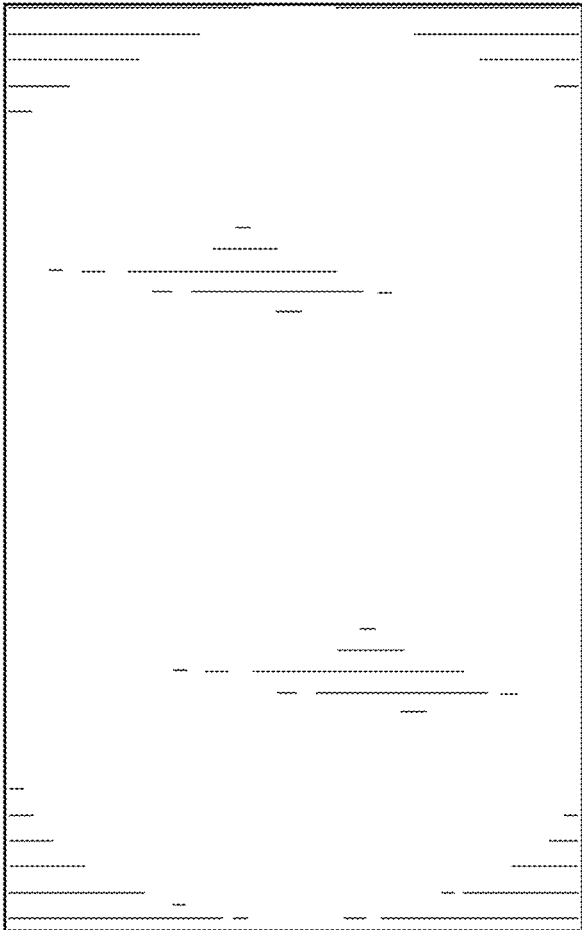


FIG. 5



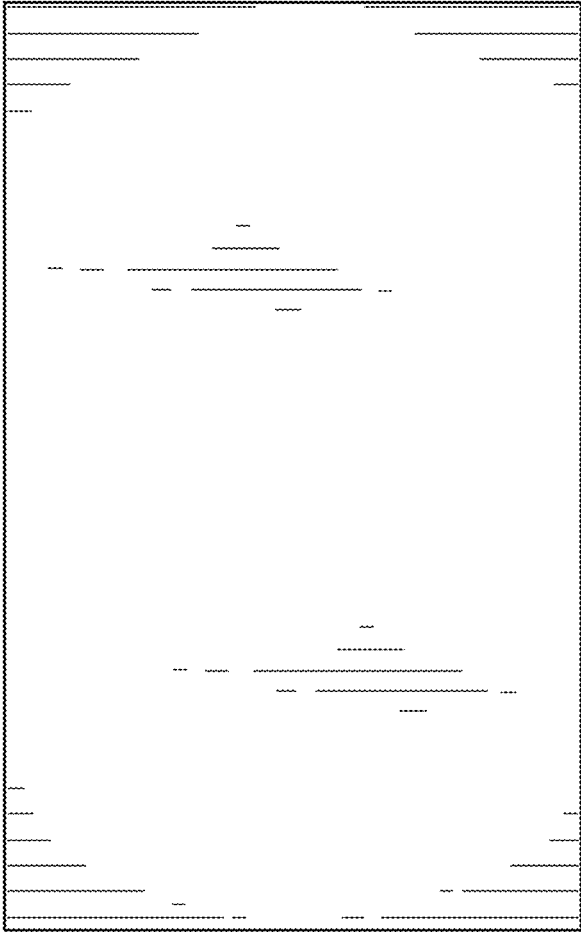


FIG. 6

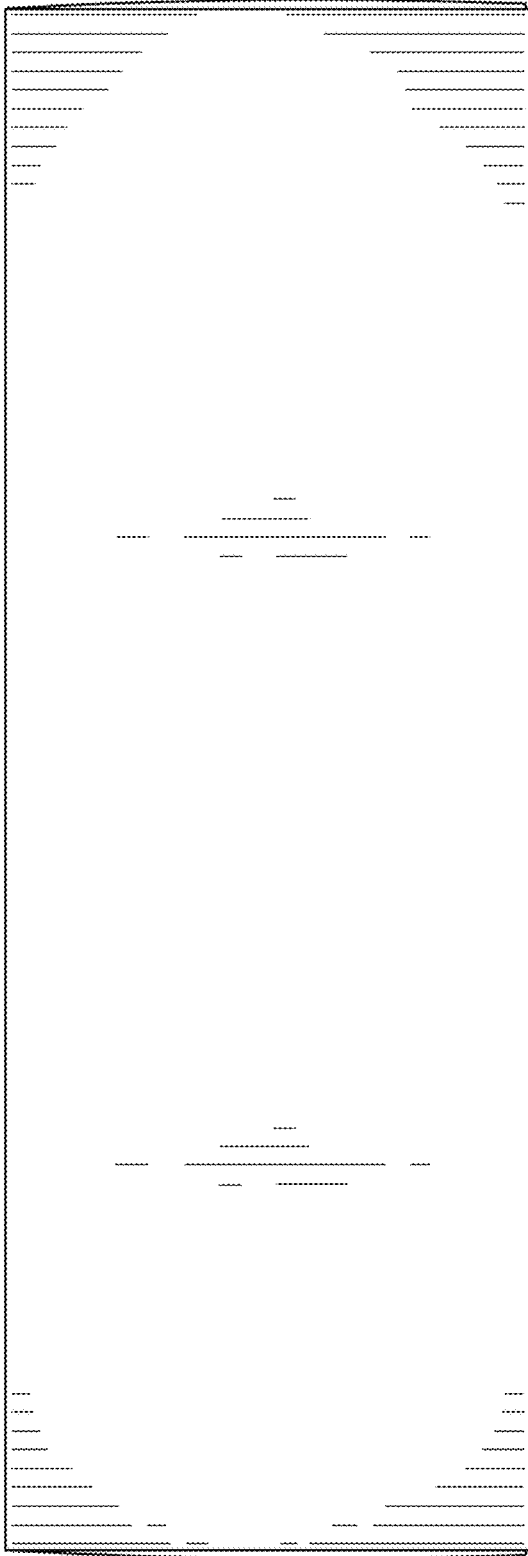


FIG. 7

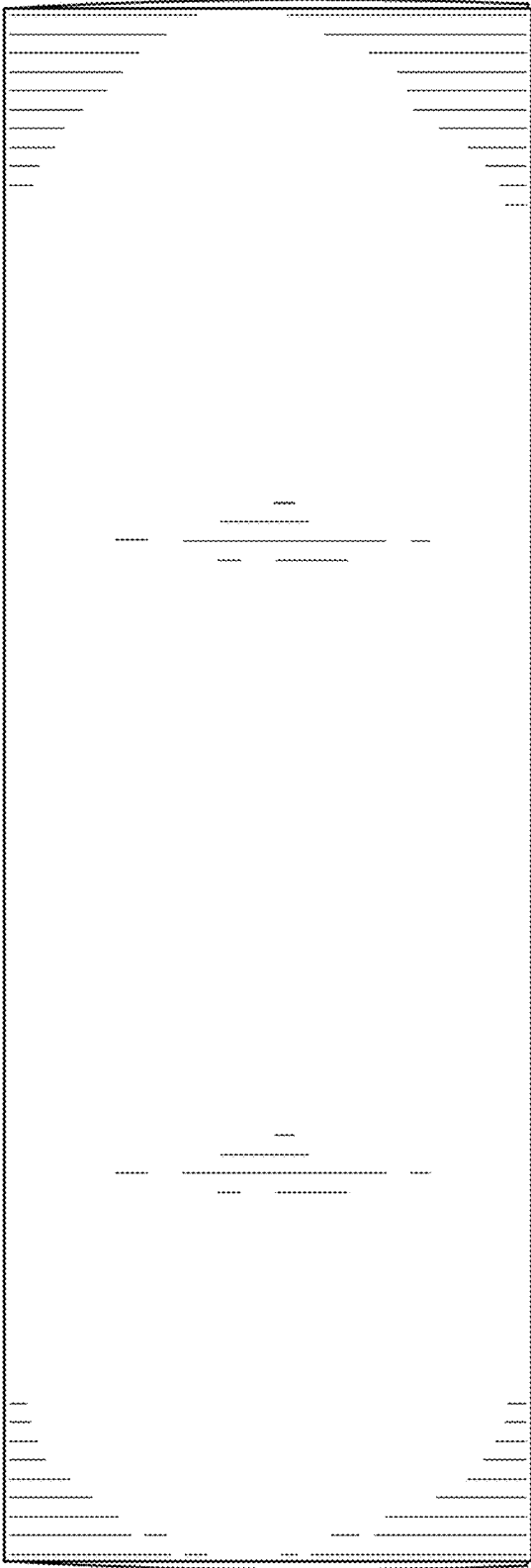


FIG. 8

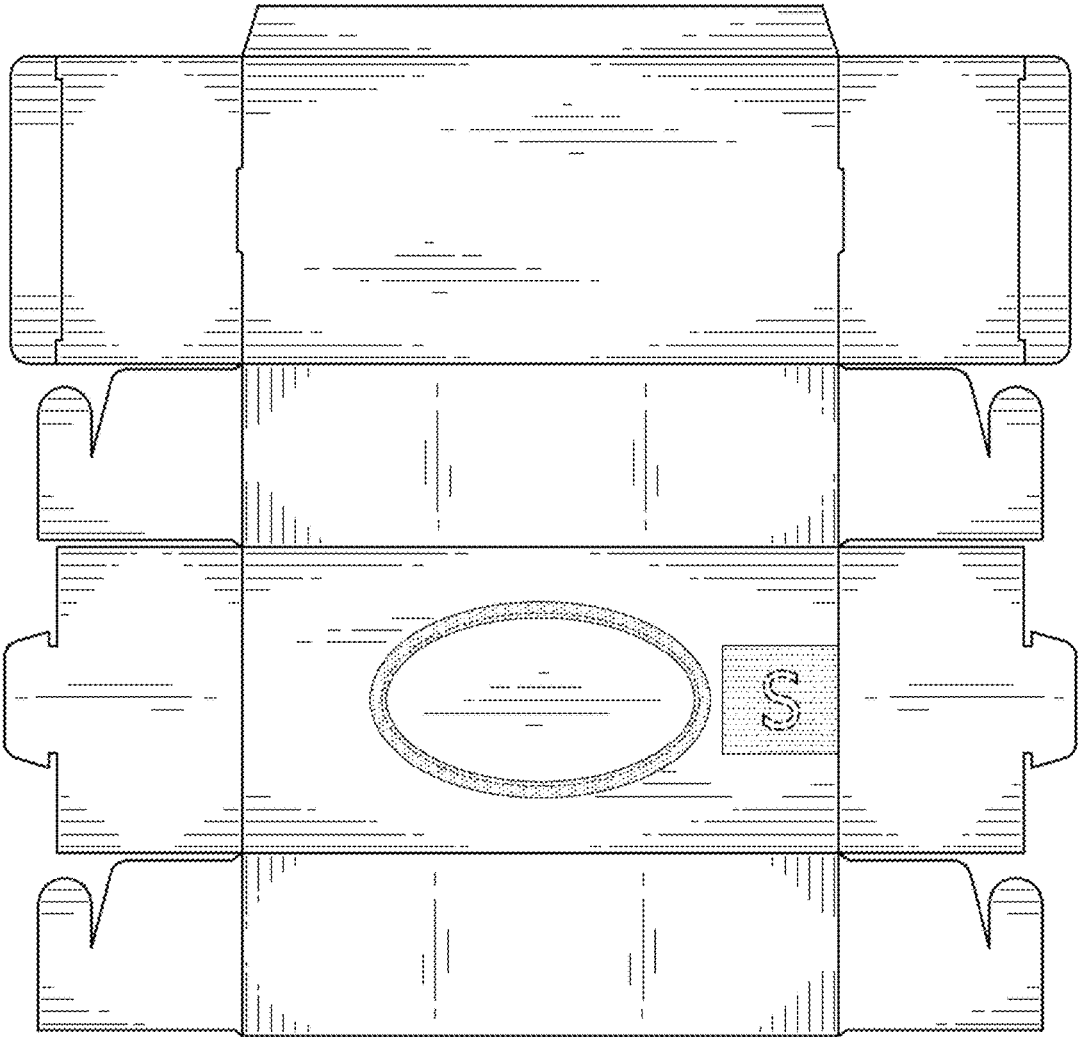


FIG. 9

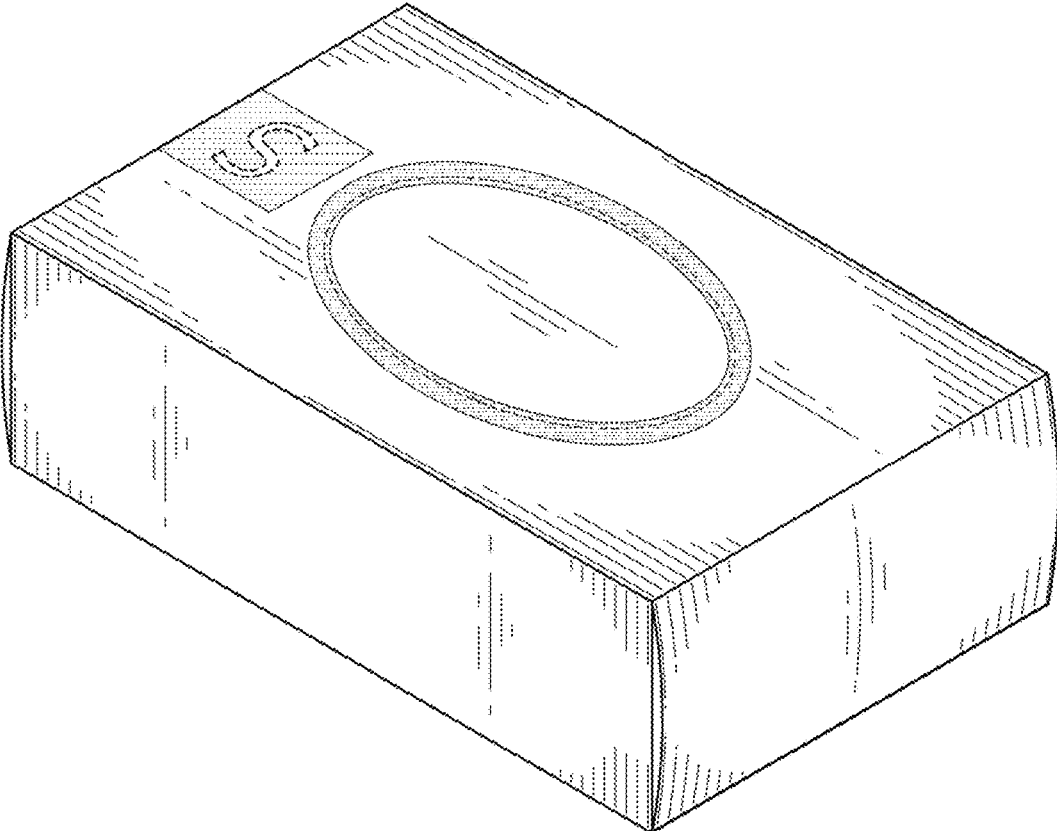


FIG. 10

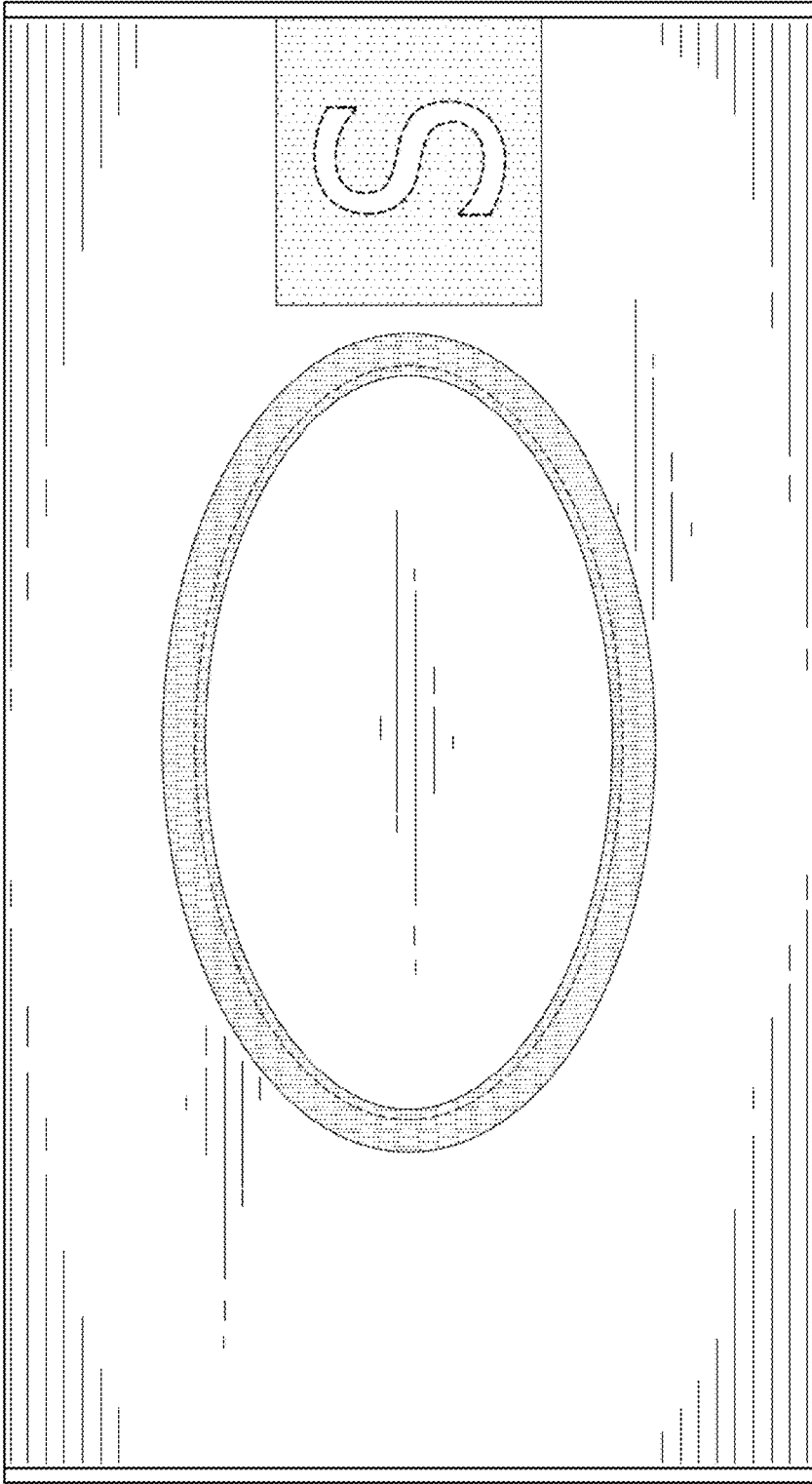


FIG. 11

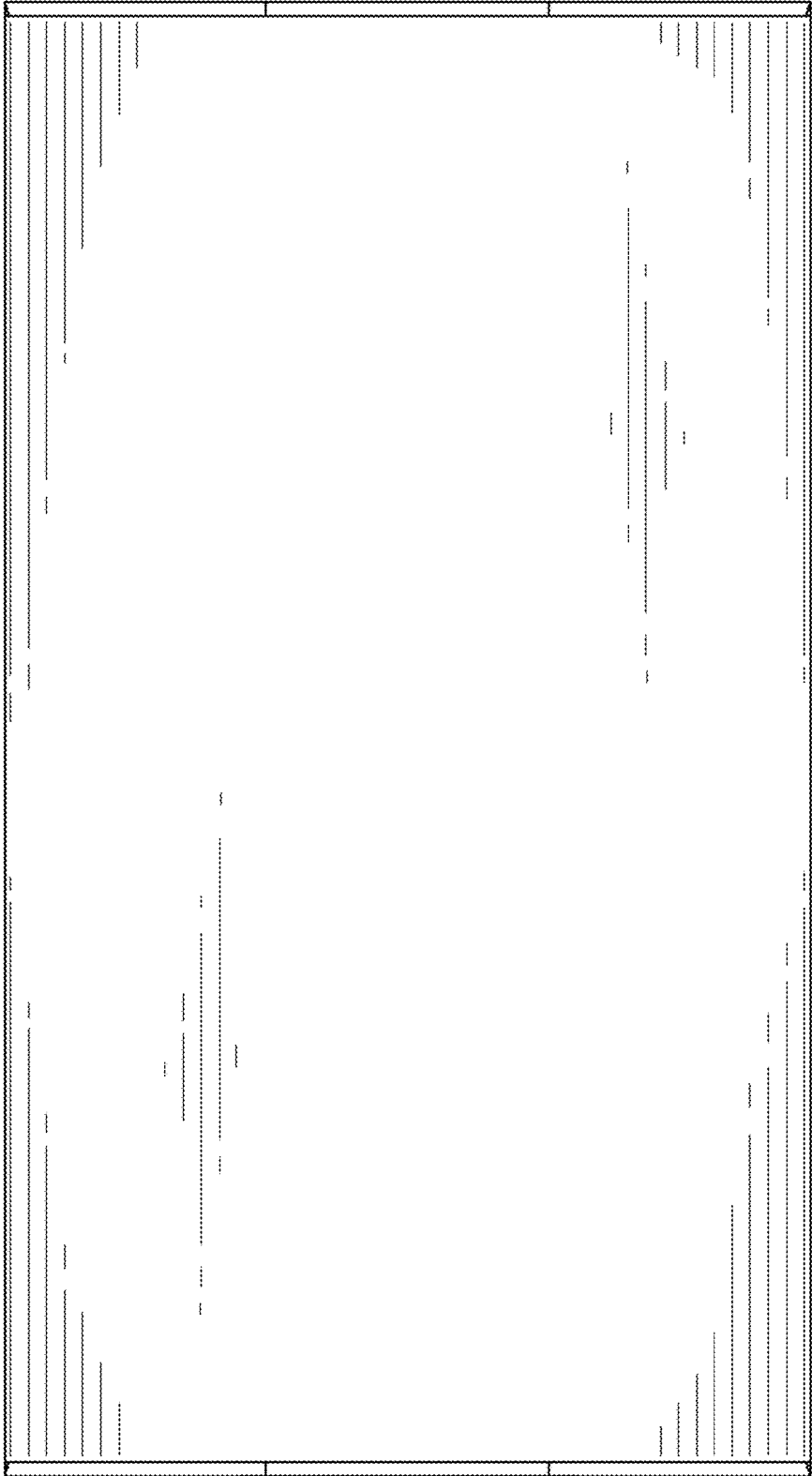


FIG. 12

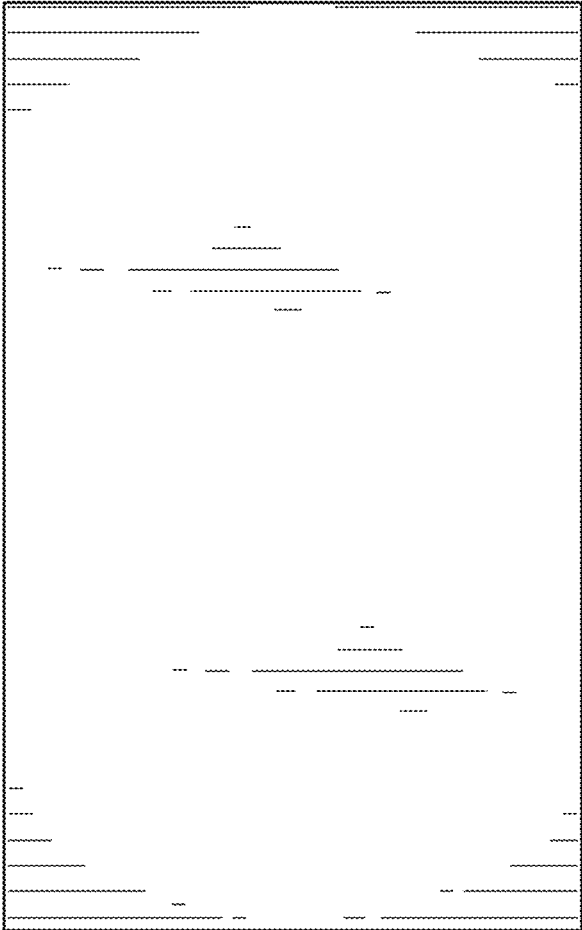


FIG. 13



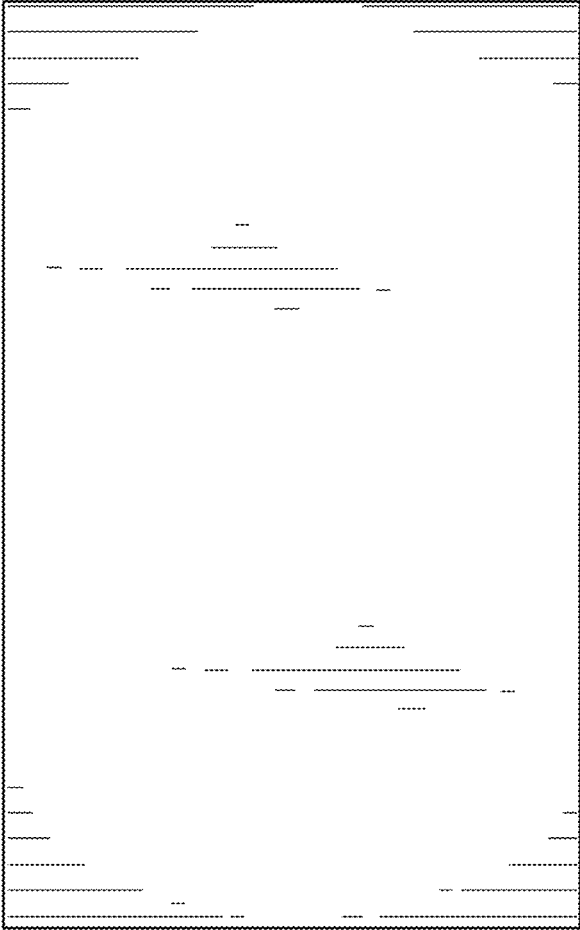


FIG. 14

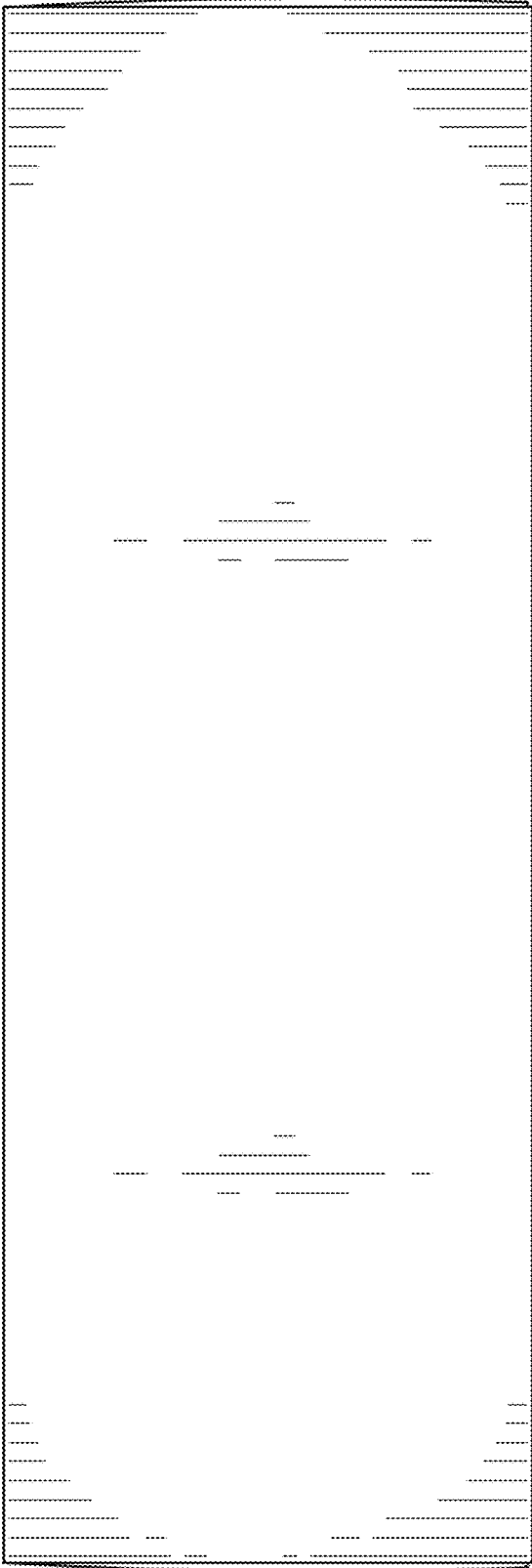


FIG. 15

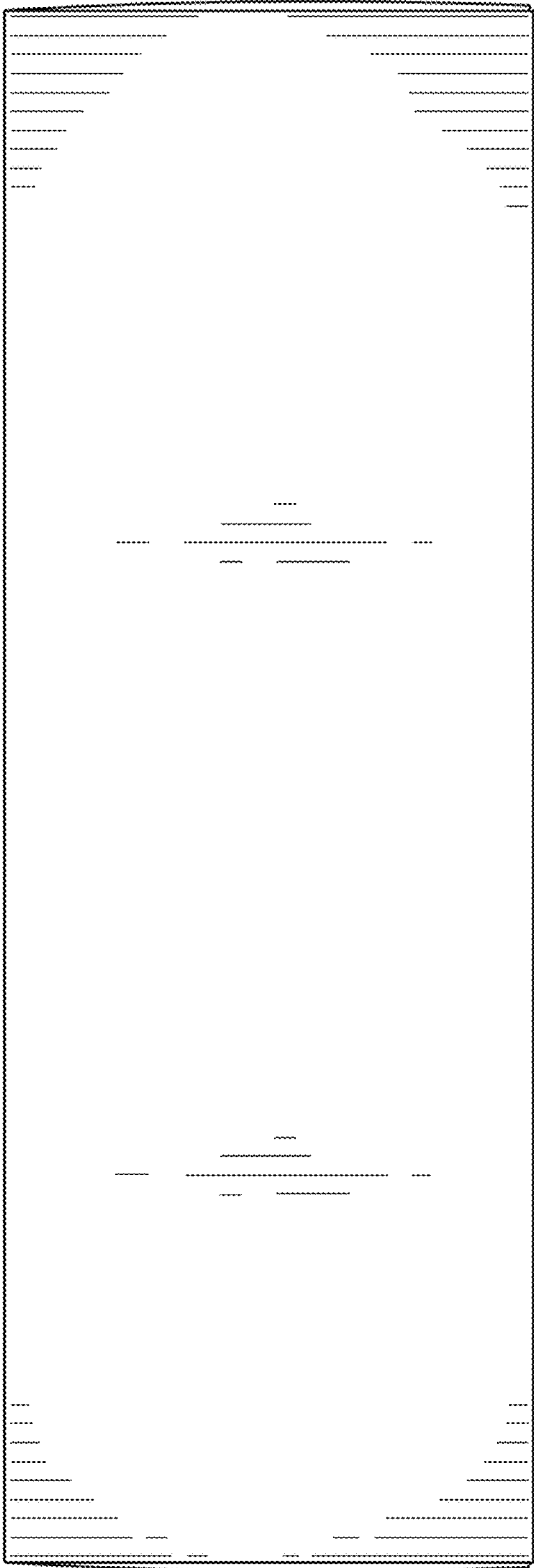


FIG. 16

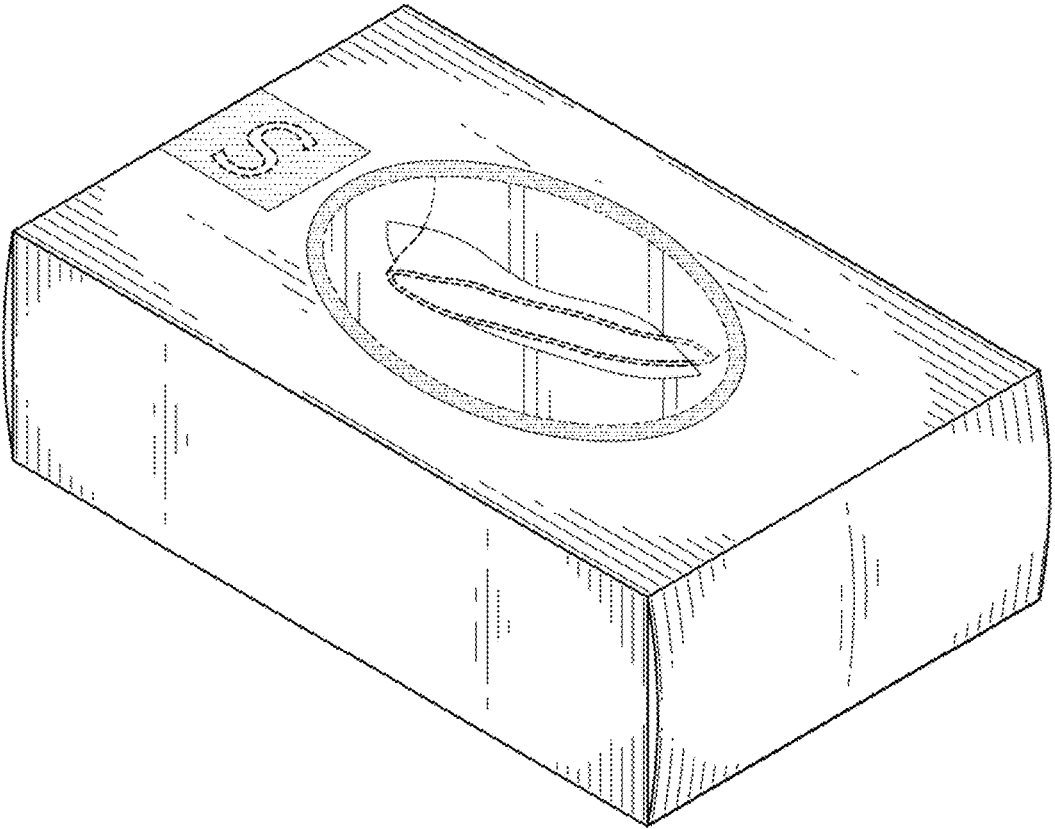


FIG. 17

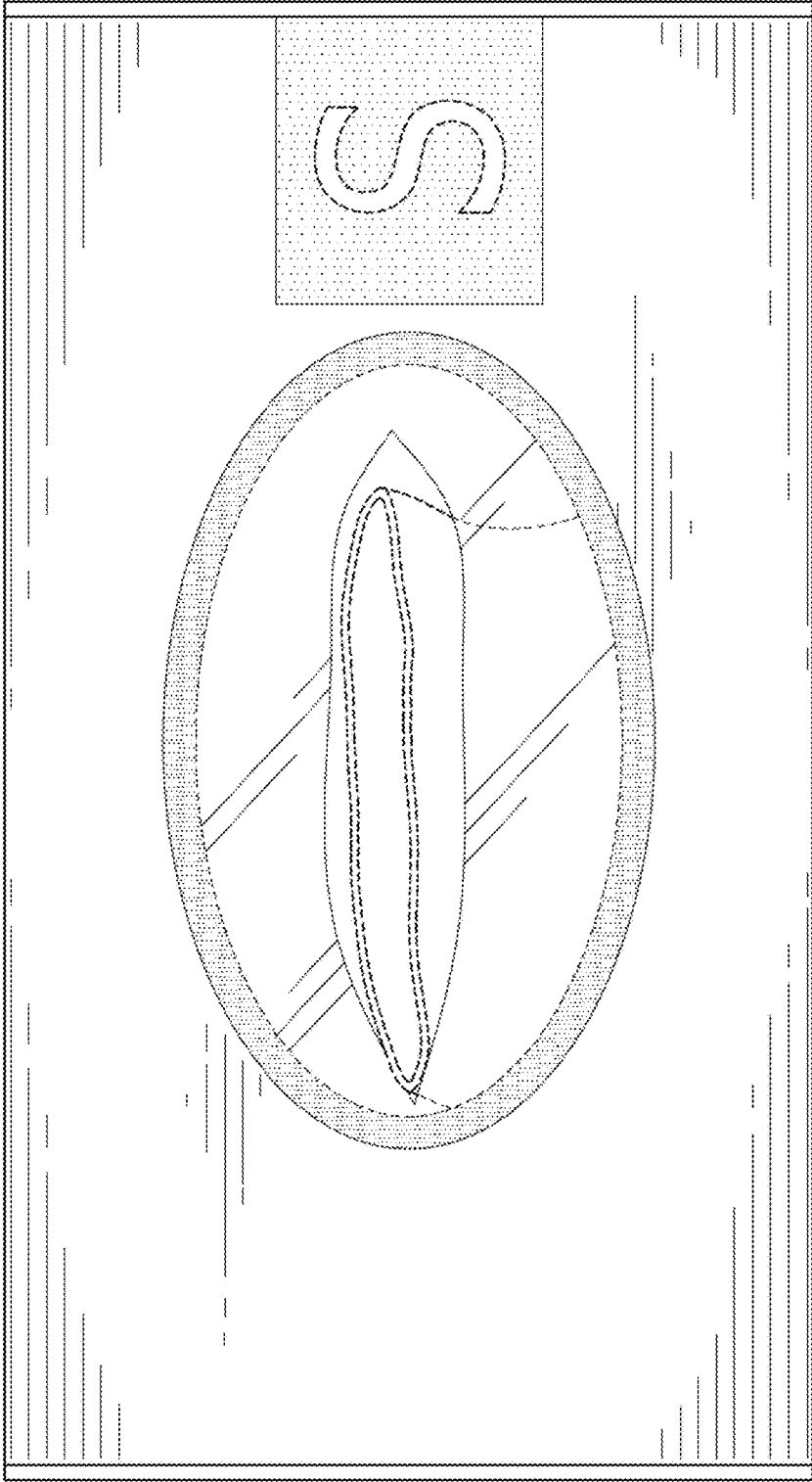


FIG. 18

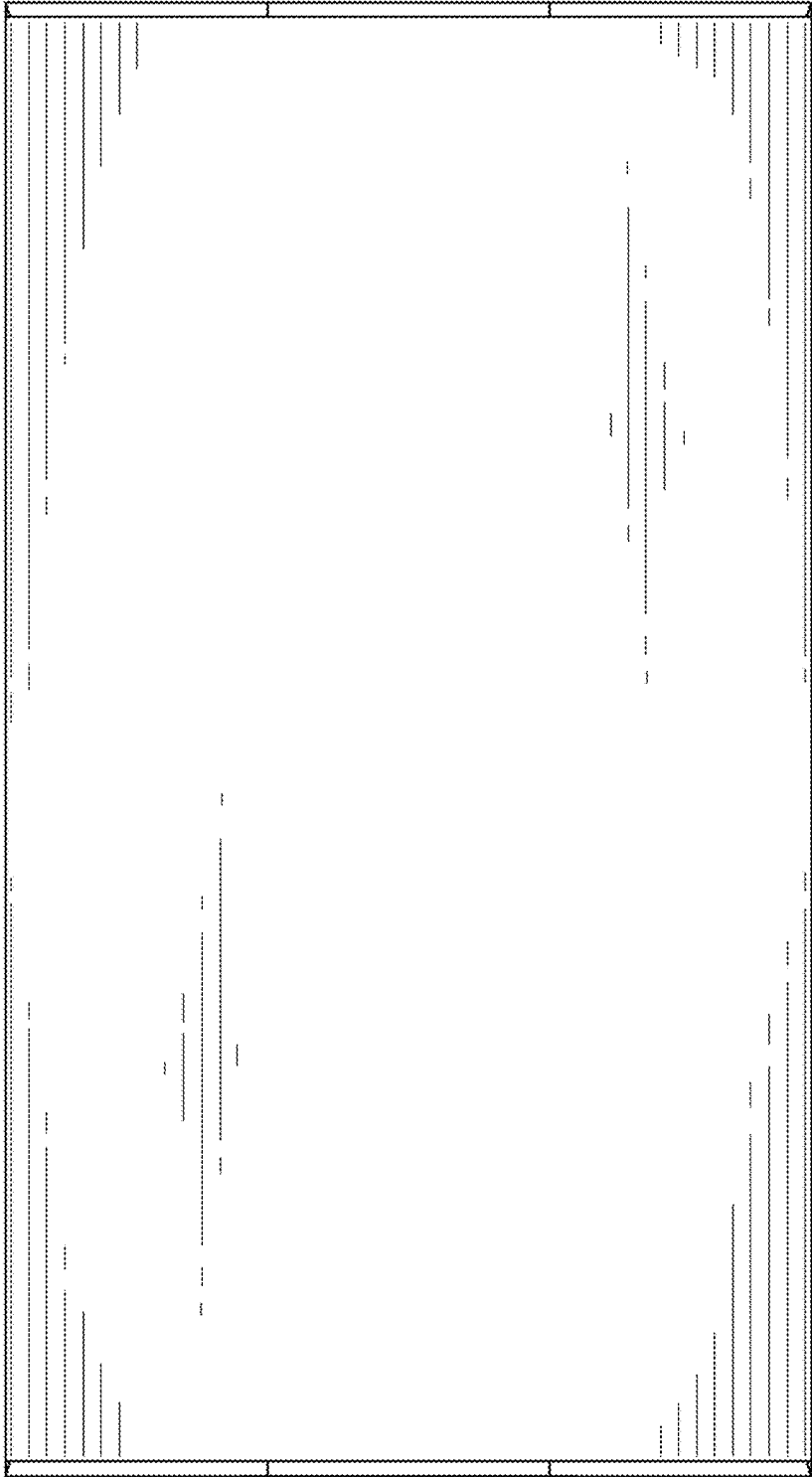


FIG. 19

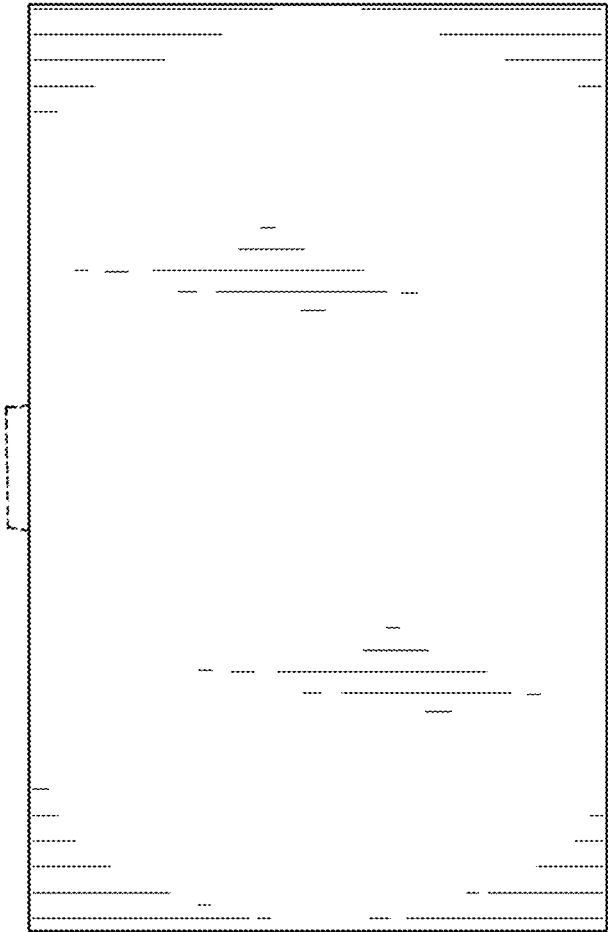


FIG. 20

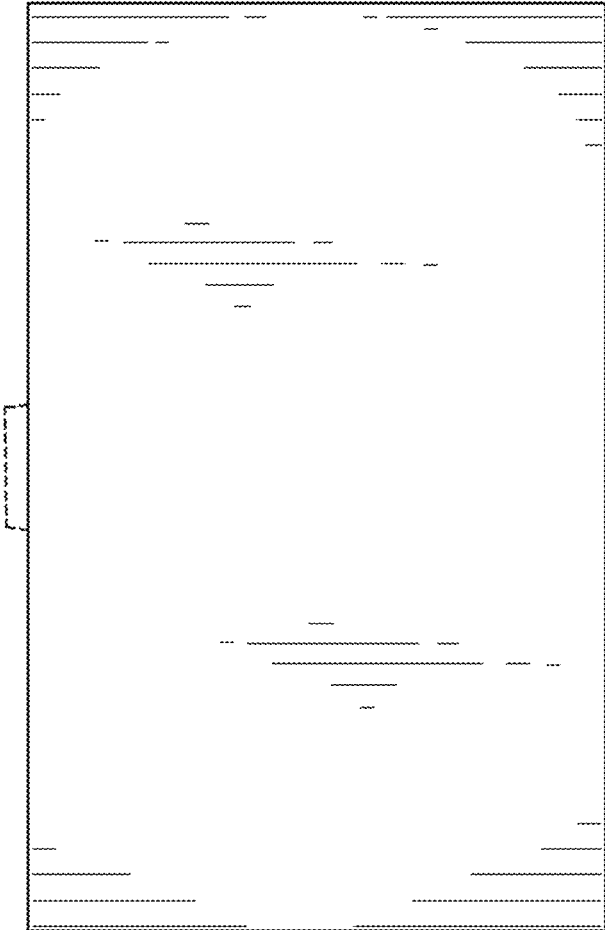


FIG. 21



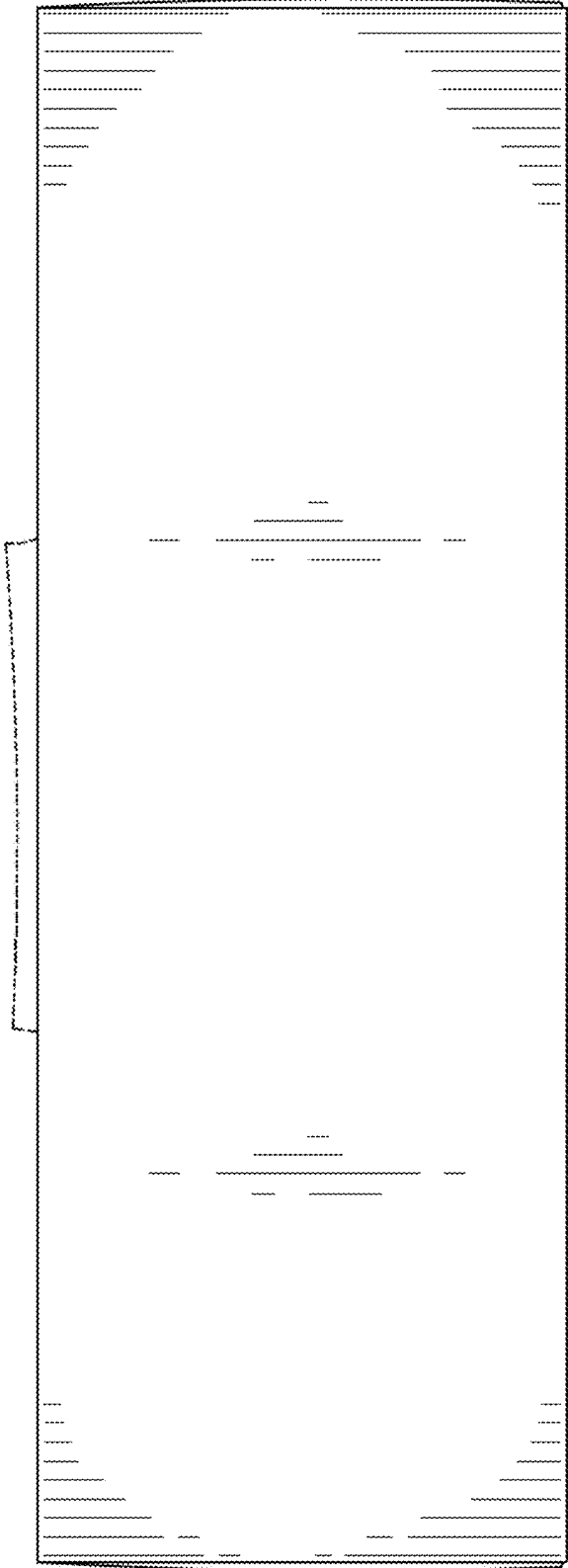


FIG. 22

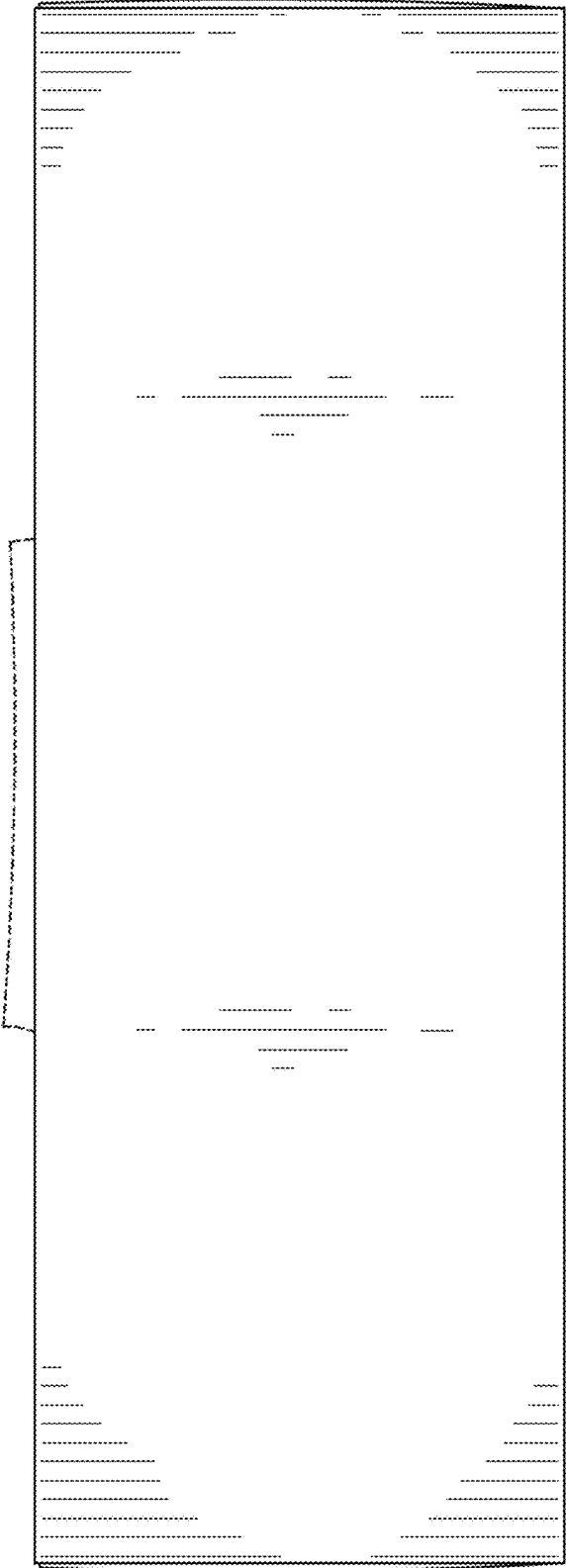


FIG. 23