



- (51) International Patent Classification:
H04H 60/33 (2008.01)
- (21) International Application Number:
PCT/IL2008/001042
- (22) International Filing Date:
29 July 2008 (29.07.2008)
- (25) Filing Language: English
- (26) Publication Language: English
- (30) Priority Data:
60/935,180 30 July 2007 (30.07.2007) US
- (71) Applicant (for all designated States except US): **EYE-CLICK LTD.** [IL/IL]; 5 Shoham Street, 1 Paz Tower, 52521 Ramat-gan (IL).
- (72) Inventors; and
- (75) Inventors/Applicants (for US only): **ALMOS, Ariel** [IL/IL]; 16 Sapir Street, 64359 Tel-aviv (IL). **KOTLIZKY, Guy** [IL/IL]; 20a HaRakafot Street, 46910 Kfar-she-maryahu (IL).
- (74) Agents: **G.E EHRlich (1995) LTD.** et al.; 11 Menachem Begin Street, 52521 Ramat Gan (IL).
- (81) Designated States (unless otherwise indicated, for every kind of national protection available): AE, AG, AL, AM,

AO, AT, AU, AZ, BA, BB, BG, BH, BR, BW, BY, BZ, CA, CH, CN, CO, CR, CU, CZ, DE, DK, DM, DO, DZ, EC, EE, EG, ES, FI, GB, GD, GE, GH, GM, GT, HN, HR, HU, ID, IL, IN, IS, JP, KE, KG, KM, KN, KP, KR, KZ, LA, LC, LK, LR, LS, LT, LU, LY, MA, MD, ME, MG, MK, MN, MW, MX, MY, MZ, NA, NG, NI, NO, NZ, OM, PG, PH, PL, PT, RO, RS, RU, SC, SD, SE, SG, SK, SL, SM, ST, SV, SY, TJ, TM, TN, TR, TT, TZ, UA, UG, US, UZ, VC, VN, ZA, ZM, ZW.

(84) Designated States (unless otherwise indicated, for every kind of regional protection available): ARIPO (BW, GH, GM, KE, LS, MW, MZ, NA, SD, SL, SZ, TZ, UG, ZM, ZW), Eurasian (AM, AZ, BY, KG, KZ, MD, RU, TJ, TM), European (AT, BE, BG, CH, CY, CZ, DE, DK, EE, ES, FI, FR, GB, GR, HR, HU, IE, IS, IT, LT, LU, LV, MC, MT, NL, NO, PL, PT, RO, SE, SI, SK, TR), OAPI (BF, BJ, CF, CG, CI, CM, GA, GN, GQ, GW, ML, MR, NE, SN, TD, TG).

Published:

— with international search report (Art. 21(3))

(88) Date of publication of the international search report:
4 March 2010

(54) Title: SYSTEM AND METHOD EMPLOYING THERMAL IMAGING FOR OBJECT DETECTION

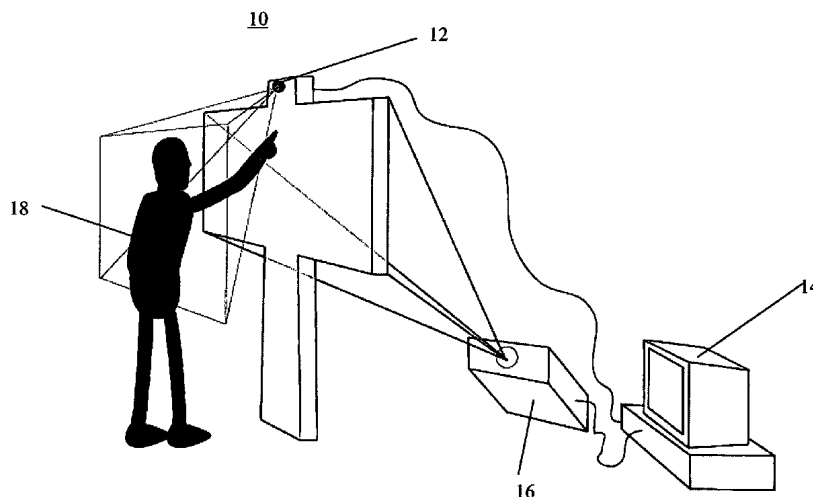


FIG. 1

(57) Abstract: A system for identifying and/or tracking a subject in an environment is provided. The system includes a thermal imaging device for capturing a thermal image of the environment and a computing platform executing a software application being configured for analyzing at least a portion of the thermal image to thereby automatically identify and/or track the subject within the environment.

WO 2009/016624 A3

INTERNATIONAL SEARCH REPORT

International application No.

PCT/IL2008/001042

A. CLASSIFICATION OF SUBJECT MATTER

IPC(8) - H04H 60/33 (2008.04)

USPC - 725/10

According to International Patent Classification (IPC) or to both national classification and IPC

B. FIELDS SEARCHED

Minimum documentation searched (classification system followed by classification symbols)

IPC(8) - H04H 60/33 (2008.04)

USPC - 725/10

Documentation searched other than minimum documentation to the extent that such documents are included in the fields searched

Electronic data base consulted during the international search (name of data base and, where practicable, search terms used)

USPTO EAST System (US, USPG-PUB, EPO, DERWENT), MicroPatent

C. DOCUMENTS CONSIDERED TO BE RELEVANT

Category*	Citation of document, with indication, where appropriate, of the relevant passages	Relevant to claim No.
Y	US 2007/0103543 A1 (ANDERSON et al) 10 May 2007 (10.05.2007) entire document	1-13
Y	US 2006/0228100 A1 (IGNATOWICZ) 12 October 2006 (12.10.2006) entire document	1-13
Y	US 6,597,801 B1 (CHAM et al) 22 July 2003 (22.07.2003) entire document	2, 10-13
Y	US 7,049,597 B2 (BODKIN) 23 May 2006 (23.05.2006) entire document	6
A	US 6,417,797 B1 (COUSINS et al) 09 July 2002 (09.07.2002) entire document	1-13
A	US 2002/0140667 A1 (HORIKI) 03 October 2002 (03.10.2002) entire document	1-13

 Further documents are listed in the continuation of Box C.


* Special categories of cited documents:

"A" document defining the general state of the art which is not considered to be of particular relevance

"E" earlier application or patent but published on or after the international filing date

"L" document which may throw doubts on priority claim(s) or which is cited to establish the publication date of another citation or other special reason (as specified)

"O" document referring to an oral disclosure, use, exhibition or other means

"P" document published prior to the international filing date but later than the priority date claimed

"T" later document published after the international filing date or priority date and not in conflict with the application but cited to understand the principle or theory underlying the invention

"X" document of particular relevance; the claimed invention cannot be considered novel or cannot be considered to involve an inventive step when the document is taken alone

"Y" document of particular relevance; the claimed invention cannot be considered to involve an inventive step when the document is combined with one or more other such documents, such combination being obvious to a person skilled in the art

"&" document member of the same patent family

Date of the actual completion of the international search

21 November 2008

Date of mailing of the international search report

03 DEC 2008

Name and mailing address of the ISA/US

Mail Stop PCT, Attn: ISA/US, Commissioner for Patents

P.O. Box 1450, Alexandria, Virginia 22313-1450

Facsimile No. 571-273-3201

Authorized officer:

Blaine R. Copenheaver

PCT Helpdesk: 571-272-4300

PCT OSP: 571-272-7774