



US00D528409S

(12) **United States Design Patent** (10) **Patent No.:** **US D528,409 S**  
**Kopp et al.** (45) **Date of Patent:** **\*\* Sep. 19, 2006**

(54) **HITCH LOCK PACKAGING**

(75) Inventors: **Tony Kopp**, West Allis, WI (US); **Eric Mackey**, Milwaukee, WI (US); **Mark Van Handel**, Milwaukee, WI (US)

(73) Assignee: **Master Lock Company**, Oak Creek, WI (US)

(\*\*) Term: **14 Years**

(21) Appl. No.: **29/189,449**

(22) Filed: **Sep. 5, 2003**

(51) **LOC (8) Cl.** ..... **09-07**

(52) **U.S. Cl.** ..... **D9/415; D9/418**

(58) **Field of Classification Search** ..... D9/415, D9/418, 414, 424; 206/461-471, 806, 730, 206/733, 736, 756, 765, 194, 197, 200, 223, 206/320, 457, 486-490, 319, 386; 428/13, 428/14, 543, 542.2; 224/906; 220/1, 5

See application file for complete search history.

(56) **References Cited**

**U.S. PATENT DOCUMENTS**

2,428,500	A	10/1947	Nutt	
2,829,778	A	* 4/1958	Carabet	211/70.1
4,423,811	A	1/1984	Knapp	
4,512,474	A	4/1985	Harding	
D306,806	S	* 3/1990	Hill	D6/467
4,946,094	A	* 8/1990	Stang	224/270
D320,934	S	10/1991	Cross et al.	
5,100,002	A	* 3/1992	Garran	206/577
5,129,516	A	7/1992	Theros	
D334,886	S	4/1993	Cortelli et al.	
D354,679	S	* 1/1995	Dunn	D9/415
5,392,919	A	* 2/1995	Passamoni	206/576
D360,358	S	* 7/1995	Steinfels, III	D9/415
D365,753	S	1/1996	Sibbio	
D369,102	S	* 4/1996	Pare et al.	D9/415
5,520,280	A	5/1996	Lickton	

D400,098	S	10/1998	Wang	
5,860,526	A	* 1/1999	Burke, Jr.	206/446
6,039,243	A	3/2000	Lickton	
D435,442	S	* 12/2000	Candelin	D9/739
D441,645	S	5/2001	Longhurst	
D472,140	S	3/2003	Yang	
D483,261	S	12/2003	Stanley	
D485,172	S	* 1/2004	Defino, Jr.	D9/415
D498,138	S	* 11/2004	Bibi et al.	D9/415

**FOREIGN PATENT DOCUMENTS**

DE	28 27 994	1/1980
EP	745 542	12/1996

**OTHER PUBLICATIONS**

International Search Report from PCT/US2004/028769.

\* cited by examiner

*Primary Examiner*—Prabhakar Deshmukh

(74) *Attorney, Agent, or Firm*—Calfee, Halter, & Griswold LLP

(57) **CLAIM**

The ornamental design for a hitch lock packaging, as shown and described.

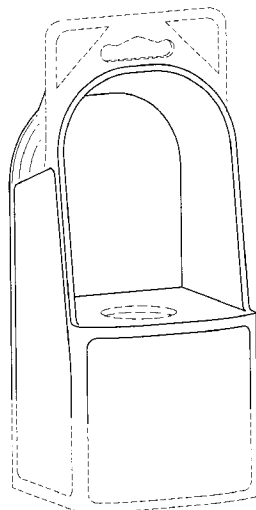
**DESCRIPTION**

FIG. 1 is a perspective view of a hitch lock packaging showing our new design; FIG. 2 is a left side elevational view thereof; FIG. 3 is a front elevational view thereof; FIG. 4 is a right side elevational view thereof; FIG. 5 is a rear elevational view thereof; FIG. 6 is a top plan view thereof; and, FIG. 7 is a bottom plan view thereof.

The broken lines, which define the bounds of the claimed design, form no part thereof.

The environment shown in broken lines form no part of the claimed design.

**1 Claim, 3 Drawing Sheets**



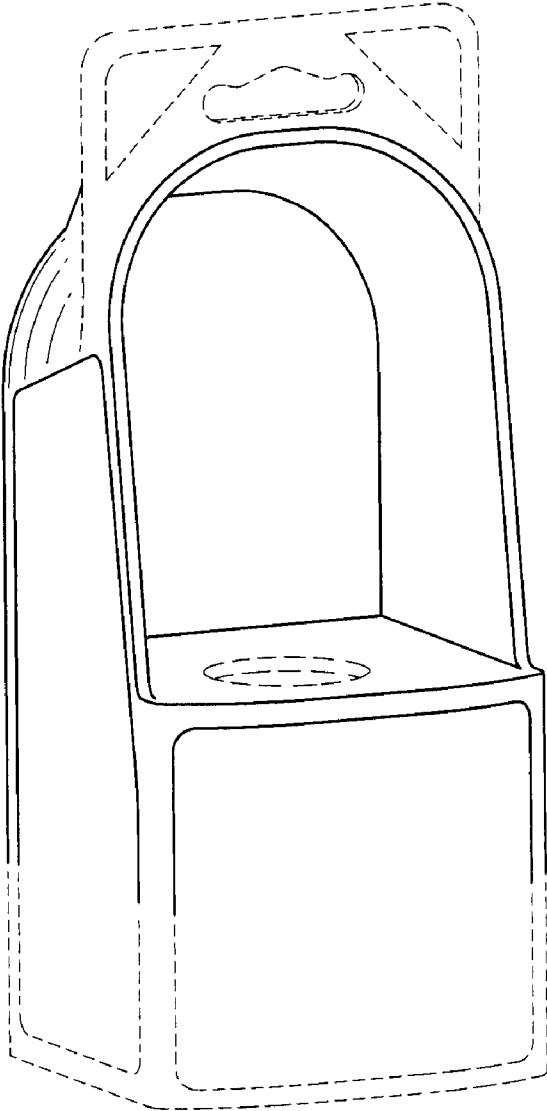


FIG. 1

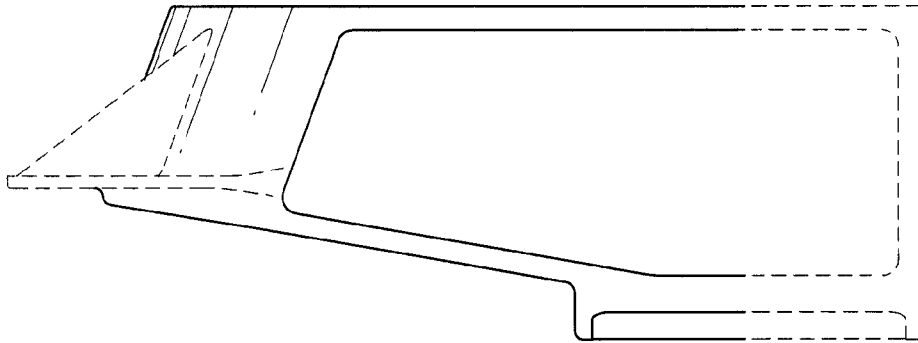


FIG. 4

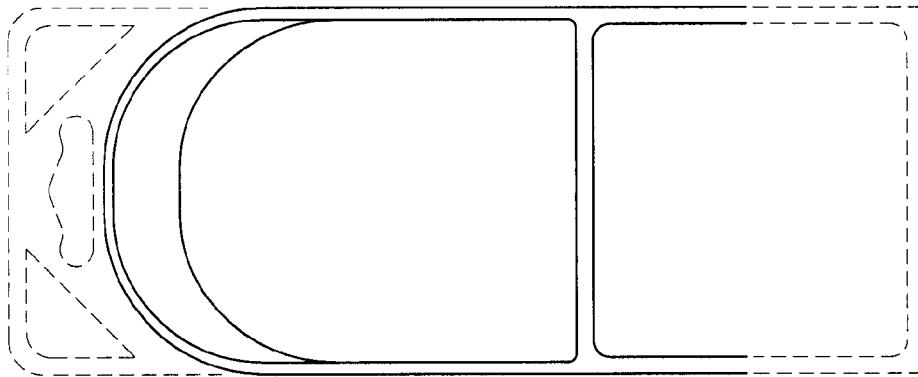


FIG. 3

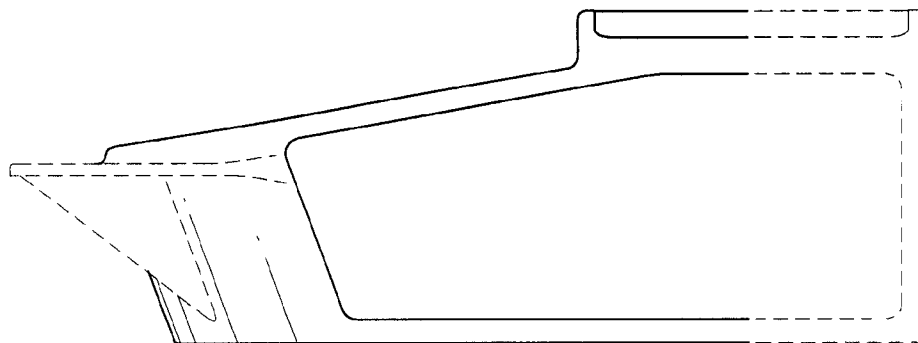


FIG. 2

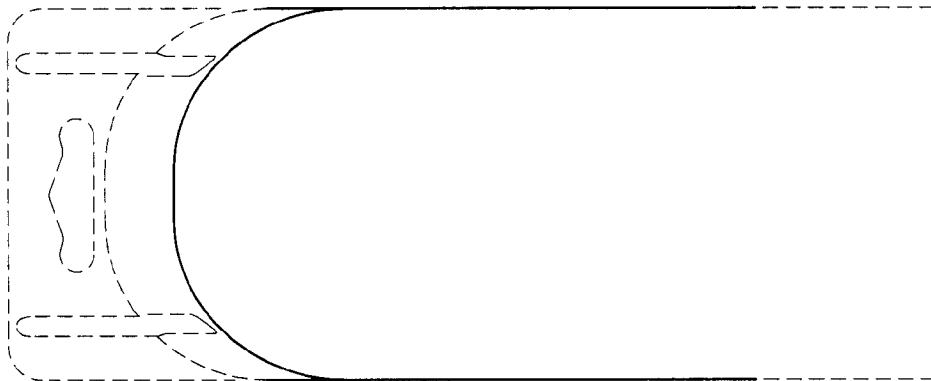


FIG. 5

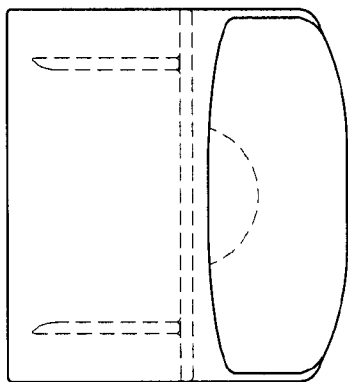


FIG. 6

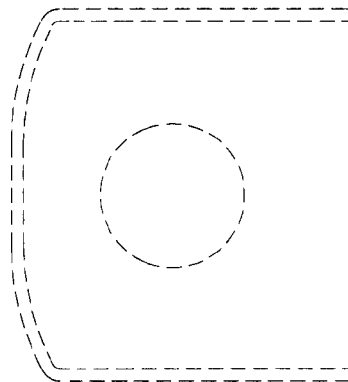


FIG. 7