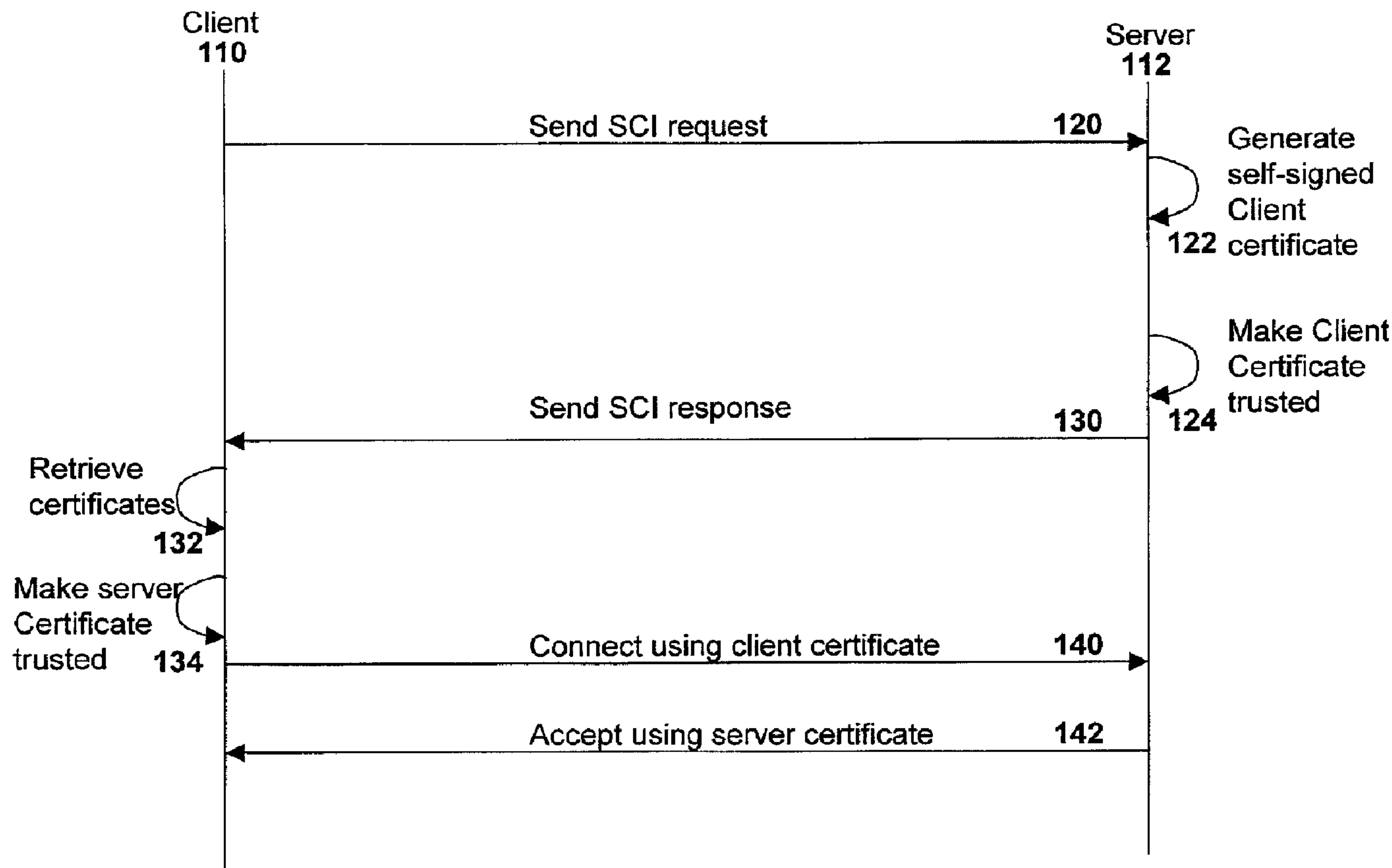




(22) Date de dépôt/Filing Date: 2008/12/17  
 (41) Mise à la disp. pub./Open to Public Insp.: 2009/06/21  
 (45) Date de délivrance/Issue Date: 2013/05/28  
 (30) Priorité/Priority: 2007/12/21 (EP07124019.6)

(51) Cl.Int./Int.Cl. *H04L 9/30* (2006.01),  
*H04L 12/16* (2006.01), *H04L 12/22* (2006.01),  
*H04L 9/32* (2006.01)  
 (72) Inventeur/Inventor:  
 SHERKIN, ALEXANDER, CA  
 (73) Propriétaire/Owner:  
 RESEARCH IN MOTION LIMITED, CA  
 (74) Agent: MOFFAT & CO.

(54) Titre : METHODE ET SYSTEMES POUR L'INITIALISATION D'UNE VOIE DE COMMUNICATION PROTEGEE  
 POUR LA SECURITE D'UNE TRANSACTION REPOSANT SUR UN SECRET FACILE A DECOUVRIR  
 (54) Title: METHODS AND SYSTEMS FOR SECURE CHANNEL INITIALIZATION TRANSACTION SECURITY BASED  
 ON A LOW ENTROPY SHARED SECRET



(57) Abrégé/Abstract:

Methods and systems for secure channel initialization transaction security between a client network element and a server network element are disclosed. In accordance with one embodiment of the present disclosure, the method includes: choosing a random



**(57) Abrégé(suite)/Abstract(continued):**

client ephemeral private key at a client network element; utilizing the client ephemeral private key and the shared secret to create a client ephemeral public key at the client network element; forwarding the client ephemeral public key in a channel initialization request to a server network element; selecting a random server ephemeral private key at the server network element; using the server ephemeral private key and the shared secret to create a server ephemeral public key at the server network element; creating a high entropy shared secret based on the client ephemeral public key and the server ephemeral private key; creating a message authentication code 'MAC' and encrypting a payload with the high-entropy shared secret; sending the encrypted payload and the server ephemeral public key to the client network element; utilizing the server ephemeral public key and the client ephemeral private key to derive the high-entropy shared secret; and decrypting the payload and verifying the MAC with the high-entropy shared secret.

**ABSTRACT**

Methods and systems for secure channel initialization transaction security between a client network element and a server network element are disclosed. In accordance with one embodiment of the present disclosure, the method includes:

5 choosing a random client ephemeral private key at a client network element; utilizing the client ephemeral private key and the shared secret to create a client ephemeral public key at the client network element; forwarding the client ephemeral public key in a channel initialization request to a server network

10 element; selecting a random server ephemeral private key at the server network element; using the server ephemeral private key and the shared secret to create a server ephemeral public key at the server network element; creating a high entropy shared secret based on the client ephemeral public key and the server ephemeral private key; creating a message authentication code 'MAC' and

15 encrypting a payload with the high-entropy shared secret; sending the encrypted payload and the server ephemeral public key to the client network element; utilizing the server ephemeral public key and the client ephemeral private key to derive the high-entropy shared secret; and decrypting the payload and verifying the MAC with the high-entropy shared secret.

20 .

## METHODS AND SYSTEMS FOR SECURE CHANNEL INITIALIZATION TRANSACTION SECURITY BASED ON A LOW ENTROPY SHARED SECRET

5 [0001] The present disclosure relates generally to authentication and authorization of communications and in particular to authentication and authorization of communications between multiple elements within a network.

[0002] Often, computer systems consist of multiple components or elements hosted by different machines. System components usually communicate over a network. Often, communication between two components of the same system  
10 requires secure channels that guarantee confidentiality, integrity and mutual authentication. Various methods of accomplishing this are utilized and include, but are not limited to, a secured sockets layer/transport layer security (SSL/TLS) protocol. SSL/TLS is supported by a wide range of technologies such as: Java 2 Enterprise Edition (J2EE) application servers or Microsoft Internet Information  
15 Server (MS IIS). However, in the case of SSL/TLS, each component of the system should trust each other's components certificate in order to communicate.

[0003] In the case of SSL/TLS, a special initialization step is required to ensure that each component in the system trusts the other component's certificates.

[0004] More generally, many secure channel protocols require a special  
20 initialization step that guarantees that all system components have necessary authentication attributes such as certificates or user names/passwords, among others, that are necessary for communication.

### GENERAL

25 [0005] The present disclosure may provide a method for secure channel initialization for a client network element, the method comprising: sending a secure channel initialization request from the client network element; and receiving a secure channel initialization response at the client network element, the secure channel initialization response including a server credential and a  
30 client credential, wherein said server credential and said client credential are used to establish a secure session.

[0006] The present disclosure may further provide a method for secure channel initialization with a server network element, the method comprising: receiving a

secure channel initialization request at the server network element; creating a server credential and a client credential at the server network element; and sending a secure channel initialization response from the server network element, the secure channel initialization response including the server credential and the client credential, wherein said server credential and said client credential are used to establish a secure session.

**[0007]** The present disclosure may further provide a method for secure channel initialization transaction security utilizing a low-entropy shared secret at a client network element, the method comprising: choosing a random client ephemeral private key at a client network element; utilizing the client ephemeral private key and the shared secret to create a client ephemeral public key at the client network element; forwarding the client ephemeral public key in a channel initialization request; receiving an encrypted payload, a message authentication code 'MAC' and a server ephemeral public key; utilizing the server ephemeral public key and the client ephemeral private key to derive a high-entropy shared secret; and decrypting the payload and verifying the MAC with the high-entropy shared secret.

**[0008]** The present disclosure may further provide a method for secure channel initialization transaction security utilizing a low-entropy shared secret at a server network element, the method comprising: receiving a client ephemeral public key in a channel initialization request; selecting a random server ephemeral private key; using the server ephemeral private key and the shared secret to create a server ephemeral public key; creating a high-entropy shared secret based on the client ephemeral public key and the server ephemeral private key; creating a message authentication code 'MAC' and encrypting a payload with the high-entropy shared secret; and sending the encrypted payload, MAC and the server ephemeral public key.

**[0009]** The present disclosure may further provide a client network element adapted for secure channel initialization, the client network element comprising a processor; a communications subsystem; and memory; the client network element being adapted to: send from said communications subsystem a secure channel initialization request; and receive at the communications subsystem a secure channel initialization response at the client network element, the secure channel initialization response including a server credential and a client credential, wherein

said server credential and said client credential are used to establish a secure session.

**[0010]** The present disclosure may further provide a server network element adapted for secure channel initialization, the server network element comprising a processor; a communications subsystem; and memory; the server network element being adapted to: receive at the communications subsystem a secure channel initialization request; and create at the processor a server credential and a client credential at the server network element; send from the communications subsystem a secure channel initialization response, the secure channel initialization response including the server credential and the client credential, wherein said server credential and said client credential are used to establish a secure session.

**[0011]** The present disclosure may further provide a client network element adapted for secure channel initialization transaction security utilizing a low-entropy shared secret, the client network element being adapted to: choose a random client ephemeral private key; utilize the client ephemeral private key and the shared secret to create a client ephemeral public key at the client network element; forward the client ephemeral public key in a channel initialization request; receive an encrypted payload with a message authentication code 'MAC' and a server ephemeral public key; utilize the server ephemeral public key and the client ephemeral private key to derive the high-entropy shared secret; and decrypt the payload and verify the MAC with the high-entropy shared secret.

**[0012]** The present disclosure may further provide a server network element adapted for secure channel initialization transaction security utilizing a low-entropy shared secret, the server network element being adapted to: receive a client ephemeral public key in a channel initialization request; select a random server ephemeral private key; use the server ephemeral private key and the shared secret to create a server ephemeral public key at the server network element; create a high-entropy shared secret based on the client ephemeral public key and the server ephemeral private key; create a message authentication code 'MAC' and encrypt a payload with the high-entropy shared secret; and send the encrypted payload, MAC and the server ephemeral public key to the client network element.

**[0013]** The present disclosure may further provide a method to secure channel initialization transaction security utilizing a low-entropy shared secret, the method comprising the steps of: choosing a random client ephemeral private key at a client network element; utilizing the client ephemeral private key and the shared secret to create a client ephemeral public key at the client network element; forwarding the client ephemeral public key in a channel initialization request to a server network element; selecting a random server ephemeral private key at the server network element; using the server ephemeral private key and the shared secret to create a server ephemeral public key at the server network element; creating a high entropy shared secret based on the client ephemeral public key and the server ephemeral private key; creating a message authentication code 'MAC' and encrypting a payload with the high-entropy shared secret; sending the encrypted payload and the server ephemeral public key to the client network element; utilizing the server ephemeral public key and the client ephemeral private key to derive the high-entropy shared secret; and decrypting the payload and verifying the MAC with the high-entropy shared secret.

**[0014]** The present disclosure may further provide a system for secure channel initialization transaction security utilizing a low-entropy shared secret, the system having a client network element and server network element and being adapted to: choose a random client ephemeral private key at a client network element; utilize the client ephemeral private key and the shared secret to create a client ephemeral public key at the client network element; forward the client ephemeral public key in a channel initialization request to a server network element; select a random server ephemeral private key at the server network element; use the server ephemeral private key and the shared secret to create a server ephemeral public key at the server network element; create a high entropy shared secret based on the client ephemeral public key and the server ephemeral private key; create a message authentication code 'MAC' and encrypt a payload with the high-entropy shared secret; send the encrypted payload and the server ephemeral public key to the client network element; utilize the server ephemeral public key and the client ephemeral private key to derive the high-entropy shared secret; and decrypt the payload and verify the MAC with the high-entropy shared secret.

**BRIEF DESCRIPTION OF THE DRAWINGS**

[0015] The present disclosure will be better understood with reference to the drawings in which:

5 **Figure 1** is a data flow diagram showing a secure channel initialization transaction between a client and a server;

**Figure 2** is a data flow diagram showing a secure channel initialization transaction security method;

**Figure 3** is a flow chart showing a client side method for secure channel initialization utilizing transaction security with elliptical curve SPEKE;

10 **Figure 4** is a flow chart showing a server side method for secure channel initialization utilizing transaction security with elliptical curve SPEKE;

**Figure 5** is a flow chart showing a client side method for secure channel initialization utilizing transaction security with generalized SPEKE;

15 **Figure 6** is a flow chart showing a server side method for secure channel initialization utilizing transaction security with generalized SPEKE;

**Figure 7** is a block diagram showing a simplified network element;

**Figure 8** is a block diagram showing an exemplary network utilizing a variety of communications between or among network elements;

**Figure 9** is a block diagram showing an exemplary mobile network; and

20 **Figure 10** is a block diagram showing an exemplary mobile device.

**DESCRIPTION OF PREFERRED EMBODIMENTS**

[0016] Various embodiments of the present disclosure provide an advancement over other solutions. One such solution includes purchasing certificates for each system component from a public certificate authority. Since public certificate authority root certificates are usually included in each system component's trust store out of the box, all system components trust each other's certificates. Hence, system components are able to use SSL/TLS as a secure channel, for example. This solution, however, uses significant overhead for purchasing certificates and involves the cost of purchasing certificates for each system component.

[0017] A further solution is to use an internal certificate authority to issue system component certificates. For this solution, the system administrator has to add internal certificate authority root certificates to each system component's trust

store. Since each system component certificate will be signed by the trusted internal certificate authority, the system components will be able to use SSL/TLS as a secure channel. While this solution removes the cost of purchasing a set of certificates, this solution requires significant effort to maintain an internal certificate authority. The system administrator is also required to manually add internal system authority root certificates to each system component's trust store.

5 [0018] A further option is to manually add each system component's self-signed certificate to all other system component trust stores, and to use these certificates for SSL/TLS. In this case, each system component may automatically generate a self-signed certificate. Then, a system administrator needs to add each system component self-signed certificate to all of the system component trust stores. Since all self-signed certificates will be trusted by each system component, system components will be able to use SSL/TLS as a secure channel. However, this approach requires a significant effort since it requires manual retrieval of the self-signed certificate from each component and the addition of the certificate to all other component trust stores. The effort has a quadratic dependency on the number of system components. Additionally, a system administrator will be required to repeat the procedure every time a self-signed certificate is regenerated on any system component.

10 15

20 [0019] A fourth option would be the use of a low-entropy shared secret with a proprietary secure channel implementation. In this case, each system component may be installed with a password entered by a system administrator during installation. This password will be a low-entropy shared secret known by all system components. This low-entropy shared secret may be used for system component mutual authentication in some non-standard secured channel implementation. However, this approach may not be feasible in certain situations because such non-standard secure channel implementation may not be supported by technology that is used by the system components.

25

30 [0020] Reference is now made to **Figure 1**. The present disclosure relates to the use of a low-entropy shared secret known by all system components. However, in the present method and system, system components are allowed to use any standard secure channel protocol that is supported by the technology used. For example, the present example shows the use of SSL/TLS. As will be appreciated

by those skilled in the art, SSL/TLS is merely one example and other examples of secure authentication and authorization should be apparent to those who are skilled in the art. These other examples include, but are not limited to, Wireless Transport Layer Security (WTLS) and Internet Protocol Security (IPSec).

5 [0021] As used herein, "low entropy" describes an entropy that is less than a given particular threshold representing the lowest acceptable entropy for a secret or key. The threshold may vary from country to country, and may also change over time. For example, if the lowest acceptable entropy is currently 80-bit entropy, then low-entropy would refer to less than 80-bit entropy. A key of 40 bits, for  
10 example, may be an appropriate low-entropy key in some of the methods and systems of the present disclosure.

[0022] The present systems and methods disclosed herein do not require additional manual steps such as: purchasing of certificates, installation and internal certificate authority root certificate or the manual exchange of self-signed  
15 certificates by a system administrator.

[0023] To communicate over SSL/TLS, each component in the system should trust each other's component certificate. During installation, each component in the system generates a self-signed certificate that will be used as a server certificate.

20 [0024] The present methods and systems disclosed herein use shared low-entropy passwords to achieve the state where each component in the system trusts each other's component certificate.

[0025] The shared low-entropy secret may be distributed in various ways and, in one embodiment, it may be entered by the system administrator in the form of a  
25 password during each system component installation.

[0026] **Figure 1** illustrates a secure channel initialization transaction between a client **110** and a server **112**. When a system component needs to connect to another system component, the first system component is designated as client **110** and the system component that needs to be connected to it is designated as  
30 server **112**. In order to initiate communication, a secure channel initialization transaction takes place. In this regard, client **110** sends a secure channel initialization (SCI) request to server **112** in step **120**. This SCI request is received by server **112**.

[0027] Once server **112** receives the secure channel initialization request **114**, the server **112** generates a self-signed client certificate in step **122**. Server **112** further makes this client certificate trusted in the step **124**. This can be  
5 accomplished by adding the client certificate to the trust store of server **112**, for example.

[0028] Server **112** then sends a SCI response to client **110** in step **130**. As will be appreciated, SCI response will generally include client and server certificates. However, in one variation, the SCI response may carry a client user  
10 name/password and a server certificate. Other variations will be apparent to those skilled in the art.

[0029] Client **110** receives the SCI response and retrieves the certificate or certificates from the response in step **132**. In step **134** the client **110** makes the server certificate trusted.

15 [0030] Client **110** then connects to server **112** over SSL using its client certificate in step **140**. Server **112** accepts the SSL connection in step **142** using its server certificate.

[0031] Consequently, the two components **110** and **112** then can communicate over the established SSL/TLS connection. As discussed above, however,  
20 SSL/TLS is described for illustrative purposes, and the systems and methods described herein may be used for other security protocols.

[0032] While the SCI request carries no payload, the SCI response carries a sensitive payload wherein confidentiality, integrity and authenticity guarantees are desirable. In the above, with reference to **Figure 1**, the SCI response carries  
25 client and server certificates or carries client user name/password and server certificates. This, therefore, may have a confidentiality requirement.

[0033] The SCI response confidentiality may be protected by a symmetric encryption algorithm such as AES-256. The SCI response integrity and authenticity may be protected with message authentication code (MAC)  
30 algorithms such as HMAC-SHA512.

[0034] In a further embodiment, SCI response integrity and authenticity may be protected with hash algorithms such as SHA512 if payload hash is concatenated

with payload and the product of concatenation is encrypted by the symmetric encryption steps mentioned above.

[0035] Both encryption and MAC steps require symmetric keys known by the two system components. Hence, encryption and MAC keys should be negotiated  
5 between client and server system components.

[0036] It would generally be undesirable to use low-entropy secrets directly for encryption and MAC keys due to offline brute force or dictionary attacks on the keys. The use of low-entropy shared secrets for direct creation of encryption keys would result in keys having low entropy and thus being vulnerable.

10 [0037] Based on this, high-entropy encryption and MAC keys are negotiated on low-entropy based secrets. High-entropy encryption and MAC keys negotiation mechanisms are based on Simple Password Exponentiation Key Exchange (SPEKE) in one embodiment.

[0038] Reference is now made to **Figure 2**. **Figure 2** illustrates a simplified flow  
15 diagram between a client **210** and a server **212** in which a low-entropy shared secret is used to find encryption and MAC keys between a client and server system components.

[0039] In the simplified diagram of **Figure 2**, client **210** converts a low-entropy shared secret to a client ephemeral public key in step **220** and then sends the  
20 client ephemeral public key to server **212** in step **230**.

[0040] Server **212** receives the client ephemeral public key in from step **230** and converts the known low-entropy shared secret to its own server ephemeral public key in step **232**.

[0041] The server **212** at step **234** then creates a high-entropy shared secret  
25 utilizing the client ephemeral public key and the server ephemeral private key used to create the server ephemeral public key.

[0042] In step **236**, the shared secret is then used to compute a MAC and to encrypt the payload.

[0043] The server then sends its ephemeral public key and cipher text in step **240**  
30 to client **210**.

[0044] Client **210** uses the server ephemeral public key and its ephemeral private key that it used to generate the ephemeral public key in order to create the high-

entropy shared secret. The client **210** in step **244** uses the shared secret to verify the MAC and to decrypt the payload.

**[0045]** The above can be implemented, for example, using the generalized SPEKE or Elliptical Curve Simple Password Exponentiation Key Exchange (EC-SPEKE). As will be appreciated, all system components should agree on SCI  
5 SPEKE). As will be appreciated, all system components should agree on SCI transaction security domain parameters, and in particular commutative group **G** parameters. System components may have hard-coded group **G** parameters. Alternatively, group **G** parameters can be sent with the SCI request.

**[0046]** As will be appreciated by those skilled in the art, a group **G** as used herein  
10 is a set with a binary operation that satisfies the four axioms: closure, associativity, identity element, and inverse element. This binary operation can be denoted as multiplication "\*" or addition "+". In the present disclosure, this binary operation is denoted as addition "+". Thus, if **n** is a positive integer and **S** belongs to **G**, then **nS** is **S** added **n** times to itself.

**[0047]** In a transaction using generalized SPEKE, step **220** of **Figure 2** involves  
15 converting a known low-entropy shared secret **s** to a secret element **S** in a commutative group **G** such that **S** has a large prime order.

**[0048]** The client component **210** then chooses a random positive integer **u** that is the client ephemeral private key.

**[0049]** The component then computes the client ephemeral public key **U=uS**.  
20

**[0050]** In step **230** the client **210** sends **U** to server component **212** in the SCI request.

**[0051]** Similarly, in step **232**, the server component **212** uses deterministic rules to  
25 convert the low-entropy shared secret **s** to a secret element **S** in a commutative group **G**. In this case, the same **S** is computed by the client and server components since the deterministic rules are used and the same low-entropy shared secret **s** is used.

**[0052]** The server **212** chooses a random positive integer **v** that is the server ephemeral private key.

**[0053]** The server **212** computes a server ephemeral public key **V=vS**.  
30

**[0054]** The server component **212** can then use, in step **234** the client ephemeral public key **U** to compute a high-entropy shared secret **K**. Specifically, **K=vU=vuS**.

[0055] The server **212** can then use the shared secret **K** to produce an encryption key and a MAC key in step **236**. The server component **212** computes the MAC on the payload and encrypts the payload with the MAC to obtain cipher text **T**.

5 [0056] In step **240** server **212** sends the server ephemeral public key **V** and the cipher text **T** in the SCI response.

[0057] In step **242**, the client **210** uses **V** to compute the high-entropy shared secret  $K=uvS$ . As will be appreciated by those skilled in the art, since  $vuS=uvS$  both the client **210** and the server **212** compute the same high-entropy secret.

10 [0058] In step **244** the client component uses **K** to produce an encryption key and MAC key. The client component **210** decrypts the payload with the MAC and verifies the MAC. The payload can then be used by the client **210**.

[0059] In an alternative embodiment, elliptical curve SPEKE may be used.

15 [0060] Using elliptical curve SPEKE, field parameters and elliptical curve equation defined over field **F**, including equation coefficient and field **F** parameters are public. However, the elliptical curve base point is secret. Hence, a technique to transform a low-entropy secret to a secret base point on the curve is used.

20 [0061] Part of implementing EC-SPEKE is determining deterministic rules to convert a byte array into a point on the curve. One way is to transform a low-entropy secret into a secret positive integer **s**. Then, a secret base point **S** will be found by multiplying the same base point **B** by a secret positive integer  $S=sB$ .

[0062] Another way is to transform a password into secret coordinates **x** and **y** of secret base point of **S**.

25 [0063] Transforming a password into a positive integer is not difficult. However, to find a secret base point **S** by multiplying a sample base point **B** by a secret positive integer utilizes elliptical curve mathematics. This makes the steps more complicated.

30 [0064] To transform a password into secret coordinates, in the case where the field **F** is all integers with modulo **p**, transforming the password into secret coordinates of the secret base point can be done in the following way. First, transform the password into a positive integer **s**. Second, choose the **x** coordinate to be **s** modulo **p**. Third, check if the **x** coordinate is on the curve, not zero and not a point of infinity and if yes find **y** such that  $S=(x, y)$  is on the curve.

If the third step produces a no, the  $x$  needs to be modified by increasing  $x$  by 1 modulo  $p$  and retrying step three.

[0065] As will be appreciated, in order to avoid attacks based on password property exploitation (such as English text properties), the principle of substitution and dissemination may be used. The password is hashed with a hash function such as SHA-512. Then, 512-bit output is treated as an unsigned binary integer representation to get a positive integer.

[0066] As will be appreciated, the elliptical curve equation is  $y^2=x^3+ax+b$  for some  $a$  and  $b$  from the specified field  $F$ . Hence, an arbitrary  $x$  coordinate is on the curve if and only if  $x^3+ax+b$  is quadratic residue in the field  $F$ . To verify if  $x^3+ax+b$  is quadratic residue, Legendre symbol is used. If Legendre symbol for  $x^3+ax+b$  is 1 in the field  $F$ , then the  $x$  coordinate is on the curve.

[0067] Once it has been verified that the  $x$  coordinate is on the curve, the  $y$  coordinate is found such that  $(x, y)$  is on the curve. In order to find the  $y$  coordinate for a given  $x$  coordinate,  $y$  is found such that  $y^2=x^3+ax+b$  in the field  $F$ . The Shanks-Tonelli algorithm for solving quadratic congruence may be used to find  $y$ .

[0068] It is known that the Shanks-Tonelli algorithm terminates. The Legendre symbol calculation takes a single iteration. However, finding an  $x$  coordinate on the curve may involve several iterations. Considering that points on the curve are evenly spread along  $x$  and  $y$  axes and the fact that the number of points on the curve is usually similar to the field size, it should not take many iterations to find an  $x$ -coordinate on the curve.

[0069] Once a secret point  $S$  has been chosen, it is desirable that point  $S$  is not a point of infinity and that the order  $S$  is large enough to have acceptable negotiated secret entropy. As will be appreciated, any point on the elliptical curve with the cofactor 1 is either a point of infinity or it generates the whole curve. Thus, a randomly chosen secret base point other than a point of infinity will be a good base point.

[0070] Referring again to **Figure 2**, in step **220** the client component **210** uses deterministic rules to convert a known low-entropy shared secret  $s$  to a secret point  $S$  on the curve, such that  $S$  has a large prime order. As indicated above, if the curve with the cofactor of 1 such as **P521** is used, then any point on the curve

can be a good secret point  $S$ . The client component chooses a random positive integer  $u$  that is the client ephemeral private key.

[0071] The client component **210** computes a client ephemeral public key  $U=uS$ . The client component **210** sends the point  $U$   $x,y$ -coordinates to a sever **212** in  
5 step **230**.

[0072] The server component **212** receives point  $U$   $x,y$ -coordinates in the SCI request.

[0073] In step **232** the server component **212** uses deterministic rules to convert the known low-entropy shared secret  $s$  to a secret point  $S$  on the curve. This is  
10 the same  $S$  computed by the client and sever components since the deterministic rules are used and the low-entropy shared secret  $s$  is used.

[0074] The server component **212** chooses a random positive integer  $v$  that is the server ephemeral private key.

[0075] The sever component **212** computes the server ephemeral public key  
15  $V=vS$ .

[0076] In step **234** the server **212** then computes the high-entropy shared secret  $K=vU=vuS$ .

[0077] The sever component **212**, in step **236**, uses  $K$  to produce an encryption key and a MAC key. The sever component **212** computes the MAC on the  
20 payload and encrypts the payload with the MAC in order to obtain the cipher text  $T$ .

[0078] In step **240** the server component **212** sends the  $V$   $x,y$ -coordinates and cipher text  $T$  in the SCI response.

[0079] The client **210** receives the response from step **240** and computes the  
25 high-entropy shared secret  $K=uV=uvS$ . Since  $uvS=uvS$  both of the client and sever components compute to the same high-entropy secret.

[0080] The client component **210** uses  $K$  to produce an encryption key and a MAC key in step **244** and then decrypts the payload with the MAC and verifies the  
30 MAC. As will be appreciated by those skilled in the art, the above allows system components to use a standard secure channel protocol such as SSL/TLS supported by standard available technologies such J2EE application servers or Microsoft IIS. Only a low-entropy shared secret is utilized and no manual system

administrator steps are required except for the entering of this system password for each system component.

[0081] In case authentication attributes change, such as the system component server certificate being regenerated, it is enough to merely repeat the secure channel initialization transaction. The secure initialization step requires only a  
5 channel initialization transaction. The secure initialization step requires only a single transaction comprised of a SCI request and a SCI response.

[0082] With regard to the security to the above solution, if a AES 256, HMAC-SHA512 and EC-SPEKE with P521 elliptical curve are used, the combination provides 256-bit cryptography strength. Thus, a brute force attack would not  
10 succeed because of the 256 bit key strength.

[0083] There are no known significant flaws in AES 256. Even considering a birthday attack there are no known significant flaws in SHA512 compression functions, HMAC and the combination of HMAC-SHA512.

[0084] SPEKE is not vulnerable to offline brute force or dictionary attacks on low-  
15 entropy secrets. Since SPEKE ephemeral keys are the only cryptography tokens an attacker may observe, the attacker will have to guess not only the low-entropy secret, but also the ephemeral private keys to execute brute force attacks. Similarly, pre-calculated dictionaries would have to include ephemeral private keys in case of a dictionary attack.

[0085] While the above-described solution may seem vulnerable to online brute  
20 force attacks, this is not unexpected since all password-based systems suffer from the same problem. This vulnerability can be easily overcome by limiting the maximum number of attempts. Once the maximum number of attempts has been exceeded, the system may quarantine the alleged attacker by blocking its IP  
25 address, for example. Other counter measures may include intentionally slow SCI request processing on a server component.

[0086] Based on the above, a combination of **Figures 1** and **2** for the elliptical curve SPEKE case is illustrated with regard to the client side in **Figure 3** and the server side in **Figure 4**.

[0087] Reference is now made to **Figure 3**. In the example of **Figure 3**, the  
30 elliptical curve SPEKE method is used.

[0088] In step **310**, the client side uses deterministic rules to convert a low-entropy secret **s** to a secret point **S**. The process then proceeds to step **312**.

[0089] In step 312, a client ephemeral private key  $u$ , which is a random positive integer, is chosen and a client ephemeral public key  $U=uS$  is computed.

5 [0090] The process then proceeds to step 314 in which the secure channel initialization request is sent with the  $x,y$ -coordinates of  $U$ .

[0091] The process then proceeds to step 316 in which the client side waits to receive a response from the server. In this case, at step 316 the client side has received cipher text  $T$  and the  $x,y$ -coordinates of the server ephemeral public key  $V$ .

10 [0092] The process then proceeds to step 318 in which a high-entropy secret  $K$  is calculated where  $K$  is equal to  $uV$ , which is equal to  $uvS$ .

[0093] The process then proceeds to step 320 in which the high-entropy secret is used to produce an encryption key and a MAC key.

15 [0094] The process then proceeds to step 322 in which the payload is decrypted and the MAC is verified.

[0095] Once the payload is decrypted and the MAC is verified the process proceeds to step 324 in which the certificates for the server side and the client side are retrieved from the payload. As will be appreciated, instead of a client side certificate a user name and password could instead be provided as described

20 above.

[0096] The process then proceeds to step 326 in which the server certificate is made trusted on the client device.

25 [0097] The process then proceeds to step 328 in which the client connects to the server utilizing the client certificate. At this point, communications can proceed between the server and the client on a secure and trusted basis based on SSL/TLS.

[0098] Referring to Figure 4 at step 410 the server side receives a secure channel initialization request with the  $x,y$ -coordinates of the ephemeral public key  $U$ .

30 [0099] The process then proceeds to step 412 in which deterministic rules are used to convert a shared secret  $s$  to a secret point  $S$  on a curve.

[00100] The process then proceeds to step 414 in which the server ephemeral private key  $v$ , which is a random positive integer, is chosen and a server ephemeral public key  $V=vS$  is computed.

[00101] The process then proceeds to step **416** in which a high-entropy secret **K** is computed as  $vU$  or  $vuS$ . As will be appreciated by those skilled in the art, this is the same high-entropy secret that is computed at step **318** in **Figure 3** by the client side.

[00102] The process then proceeds to step **418** in which **K** is used to produce an encryption key and a MAC key.

[00103] The process then proceeds to step **420** in which the server and the client certificates are encrypted utilizing the high-entropy secret **K** and further a MAC is produced. This creates a payload which is encrypted as cipher text.

[00104] The payload is sent, along with the  $x,y$ -coordinates of the ephemeral public key **V** in step **422**.

[00105] The process then proceeds to step **424** in which the server side waits to receive something else from the client and specifically a communication utilizing a SSL/TLS. In step **424**, the server side receives a connection utilizing the client's certificate, which can be verified for integrity and authenticity.

[00106] At step **426** the process then accepts the connection utilizing a server certificate.

[00107] Based on the above, a combination of **Figures 1** and **2** for the generalized SPEKE case is illustrated with regard to the client side in **Figure 5** and the server side in **Figure 6**.

[00108] Reference is now made to **Figure 5**. In the example of **Figure 5**, generalized SPEKE is used.

[00109] In step **510**, the client side uses deterministic rules to convert a low-entropy secret  $s$  to a secret element **S** in a commutative group  $G$  such that **S** has a large prime order. The process then proceeds to step **512**.

[00110] In step **512**, a client ephemeral private key  $u$ , which is a random positive integer, is chosen and a client ephemeral public key  $U=uS$  is computed.

[00111] The process then proceeds to step **514** in which the secure channel initialization request is sent with **U**.

[00112] The process then proceeds to step **516** in which the client side waits to receive a response from the server. In this case, at step **516** the client side has received cipher text **T** and the server ephemeral public key **V**.

- [00113] The process then proceeds to step **518** in which a high-entropy secret **K** is calculated where **K** is equal to  $uV$ , which is equal to  $uvS$ .
- [00114] The process then proceeds to step **520** in which the high-entropy secret is used to produce an encryption key and a MAC key.
- 5 [00115] The process then proceeds to step **522** in which the payload is decrypted and the MAC is verified.
- [00116] Once the payload is decrypted and the MAC is verified the process proceeds to step **524** in which the certificates for the server side and the client side are retrieved from the payload. As will be appreciated, instead of a client side certificate a user name and password could instead be provided as described above.
- 10 [00117] The process then proceeds to step **526** in which the server certificate is made trusted on the client device.
- [00118] The process then proceeds to step **528** in which the client connects to the server utilizing the client certificate. At this point, communications can proceed between the server and the client on a secure and trusted basis based on SSL/TLS.
- 15 [00119] Referring to **Figure 6** at step **610** the server side receives a secure channel initialization request with the ephemeral public key **U**.
- 20 [00120] The process then proceeds to step **612** in which deterministic rules are used to convert a shared secret **s** to a secret element **S** in a commutative group **G** such that **S** has a large prime order.
- [00121] The process then proceeds to step **614** in which a server ephemeral private key **v**, which is a random positive integer, is chosen and a server ephemeral public key  $V=vS$  is computed.
- 25 [00122] The process then proceeds to step **616** in which a high-entropy secret **K** is computed as  $vU$  or  $vuS$ . As will be appreciated by those skilled in the art, this is the same high-entropy secret that is computed at step **518** in **Figure 5** by the client side.
- 30 [00123] The process then proceeds to step **618** in which **K** is used to produce an encryption key and a MAC key.

[00124] The process then proceeds to step **620** in which the server and the client certificates are encrypted utilizing the high-entropy secret **K** and further a MAC is produced. This creates a payload which is encrypted as cipher text.

5 [00125] The payload is sent, along with the ephemeral public key **V**, in step **622**.

[00126] The process then proceeds to step **624** in which the server side waits to receive something else from the client and specifically a communication utilizing a SSL/TLS. In step **624**, the server side receives a connection utilizing the client's certificate, which can be verified for integrity and authenticity.

10 [00127] At step **626** the process then accepts the connection utilizing a server certificate.

[00128] As will be appreciated by those skilled in the art, the above can be used in which communication is required by several components of the system. For example, a bank may have a system in which an identity is on a first server, 15 cheques are processed on a second server and loan application are processed on a third server. Each of these servers may need to check with other servers in order to verify that the transaction is valid. The servers therefore need to talk with each other. Other examples include mobile device networks and specifically various network elements within the mobile device network.

20 [00129] The above can be further implemented on any computer readable medium adapted to store program code executable by a processor of a computing system for causing said computing system to perform the methods of **Figures 1 to 6**.

25 [00130] Reference is now made to **Figure 7**. **Figure 7** shows a simplified diagram of a network element **710**. A network element **710** includes a processor **720** adapted to perform one or both the server side or the client side functionality as illustrated by **Figures 1 to 6** above.

30 [00131] A memory **730** is adapted to store the low-entropy shared secret and to provide this to processor **720** for computing the high-entropy shared secret for communications. Memory **730** is further adapted to include a list of trusted certificates, among other things, as would be appreciated by those skilled in the art.

[00132] A communications sub-system **740** is adapted to communicate with other network elements and is utilized to receive communications from a client or server and to provide these communications to processor **720** for processing.

[00133] As will be appreciated, the network element of **Figure 7** could be  
5 used in conjunction with multiple network elements.

[00134] Reference is now made to **Figure 8**. **Figure 8** illustrates an exemplary block diagram of a network in which network elements **810**, **812**, **816** and **818** communicate with each other. **Figure 8** is meant as an example of the way network elements can be connected together.

10 [00135] As seen in **Figure 8**, network elements **810** and **812** are co-located at the same location **814** and communicate with each other locally. This can be communication between two servers, a local area network, among others.

[00136] Network element **816** is shown located remotely from network element **810** and can communicate with element **810** through various  
15 communication means such as a wide area network (WAN) or dedicated communication line.

[00137] Network element **818** is also shown as located remotely from network elements **810** and **812** and communicates through the Internet **820** with network elements **810** and **812**.

20 [00138] As seen from the example **Figure 8**, network element **810** can communicate with multiple network elements.

[00139] **Figure 8** is therefore meant to show that various network configurations could exist with various means for communication between the network elements. The present method and system are not meant to be limited by any particular  
25 network or communications type between network elements.

[00140] One exemplary network that the above system could be used on is illustrated with reference to **Figure 9**. **Figure 9** illustrates an architectural overview for a mobile network having voice and data. Three mobile devices, **912**, **914** and **916** are illustrated.

30 [00141] Mobile device **912** comprises a single-mode wide area network (WAN) mobile device which communicates with a cellular network **920**.

- [00142] Mobile device **916** comprises a single-mode wireless local area network (WLAN) mobile device which communicates with the data access point **922**.
- [00143] Mobile device **914** comprises a dual-mode mobile device that  
5 communicates both with the cellular network **920** and the data access point **922**.
- [00144] Mobile device **914** may connect through cellular network **920** to provide either voice or data services. As will be appreciated, various cellular networks exist including, but not limited to, GSM, General Packet Radio Service (GPRS), CDMA, Universal Mobile Telecommunications System (UMTS),  
10 Wideband Code Division Multiple Access (WCDMA), among others. These technologies allow the use of voice, data or both at one time.
- [00145] A circuit switched call, as seen from **Figure 9**, will proceed through a circuit switched voice channel to Public Switched Telephone Network (PSTN) **930**.
- 15 [00146] Data proceeds through a relay **940**, and may proceed through a firewall **942** to one of several servers servicing the data call.
- [00147] As seen in **Figure 9**, data proceeds through the firewall **942** to a network node **945** and potentially out to a Mail Server **960**, depending on the nature of the data.
- 20 [00148] If the call is a transmission of voice over a data connection using VoIP, the data proceeds over session initiation protocol (SIP) to a SIP server **950**.
- [00149] From SIP server **950**, the VoIP call proceeds over a private branch exchange (PBX) **955** and then becomes a circuit-switched voice call over PSTN **930**.
- 25 [00150] Mobile device **914** can further communicate over a data access point for a wireless local area network (WLAN). Examples of WLAN technologies include Wireless Fidelity (WiFi) or Worldwide Interoperability for Microwave Access (WiMax) as underlying technologies of wireless local area networks.
- [00151] As with the cellular connection, data and VoIP calls can be routed  
30 through firewall **942** to either the network node **945** or to SIP server **950**. The VoIP call then proceeds again through PBX **955** to PSTN **930**.

[00152] Alternatively, the VoIP call can be routed through a real time transport protocol (RTP) directly to the private branch exchange **955**, at which point it is converted to a circuit switched call and routed through the PSTN **930**.

[00153] An Enterprise Voice Server **952** may be included for various  
5 functionality, including monitoring voice calls, providing call statistics, call costs, policy usage, among others.

[00154] A call statistics server **980** may be located within an enterprise. As will be appreciated by those skilled in the art, call statistics server **980** may be part of a network node **945** or can be a separate server communicating with the  
10 network node **945**.

[00155] Call statistics server **980** can receive call statistic information from handheld mobile devices or gather these statistics directly through the monitoring of voice call set-up, throughput and disconnection traffic, and hold this information for use by corporate IT and handheld users.

[00156] The systems and methods of the present application provide for secure and authenticated communications between network elements. For example, the methods can be used between call statistics server **980** and network node **945** in some embodiments. Enterprise Voice Server **952** might, in some embodiments, also require secure communications with call statistics server **980** and/or network  
15 node **945**. In one embodiment the methods described herein may also be used to secure communications with any mobile device such as devices **912**, **914** and **916**, or any other wireless device, cellular phone, smart phone, personal digital assistant, laptop, personal computer, or the like. Other network elements may also be involved.

[00157] A system administrator could, in one embodiment, create a shared  
25 low entropy secret and input this onto each network element. The network elements could then utilize the shared secret as indicated above with reference to **Figures 1 to 6**.

[00158] If the methods of the present disclosure are used in association with  
30 a mobile device, an exemplary mobile device is illustrated with reference to **Figure 10**. This is not meant to be limiting, but is provided for illustrative purposes.

[00159] **Figure 10** is a block diagram illustrating a mobile device apt to be used with various embodiments of the apparatus and method of the present application. Mobile device **1000** may comprise a two-way wireless communication device having at least voice and data communication capabilities. Mobile device  
5 **1000** may have the capability to communicate with other computer systems on the Internet. Depending on the exact functionality provided, the wireless device may be referred to as a data messaging device, a two-way pager, a wireless e-mail device, a cellular telephone with data messaging capabilities, a wireless Internet appliance, or a data communication device, as examples.

10 [00160] Where mobile device **1000** is enabled for two-way communication, it will incorporate a communication subsystem **1011**, including both a receiver **1012** and a transmitter **1014**, as well as associated components such as one or more, embedded or internal, antenna elements **1016** and **1018**, local oscillators (LOs) **1013**, and a processing module such as a digital signal processor (DSP) **1020**.  
15 As will be apparent to those skilled in the field of communications, the particular design of the communication subsystem **1011** may be dependent upon the communication network in which the device is intended to operate.

[00161] Network access requirements may also vary depending upon the type of network **1019**. In some CDMA networks network access is associated  
20 with a subscriber or user of mobile device **1000**. A CDMA mobile device may require a removable user identity module (RUIM) or a subscriber identity module (SIM) card in order to operate on a CDMA network. The SIM/RUIM interface **1044** is normally similar to a card-slot into which a SIM/RUIM card can be inserted and ejected like a diskette or PCMCIA card. The SIM/RUIM card can have  
25 approximately 64K of memory and hold many key configuration **1051**, and other information **1053** such as identification, and subscriber related information.

[00162] When required network registration or activation procedures have been completed, mobile device **1000** may send and receive communication signals over the network **1019**. As illustrated in **Figure 10**, network **1019** can  
30 consist of multiple base stations communicating with the mobile device. For example, in a hybrid CDMA 1x EVDO system, a CDMA base station and an EVDO base station communicate with the mobile device and the mobile device is

connected to both simultaneously. The EVDO and CDMA 1x base stations use different paging slots to communicate with the mobile device.

**[00163]** Signals received by antenna **1016** through communication network **1019** are input to receiver **1012**, which may perform such common receiver functions as signal amplification, frequency down conversion, filtering, channel selection and the like, and in the example system shown in **Figure 10**, analog to digital (A/D) conversion. A/D conversion of a received signal allows more complex communication functions such as demodulation and decoding to be performed in the DSP **1020**. In a similar manner, signals to be transmitted are processed, including modulation and encoding for example, by DSP **1020** and input to transmitter **1014** for digital to analog conversion, frequency up conversion, filtering, amplification and transmission over the communication network **1019** via antenna **1018**. DSP **1020** not only processes communication signals, but also provides for receiver and transmitter control. For example, the gains applied to communication signals in receiver **1012** and transmitter **1014** may be adaptively controlled through automatic gain control algorithms implemented in DSP **1020**.

**[00164]** Mobile device **1000** may include a microprocessor **1038** which controls the overall operation of the device. Communication functions, including at least data and voice communications, are performed through communication subsystem **1011**. Microprocessor **1038** also interacts with further device subsystems such as the display **1022**, flash memory **1024**, random access memory (RAM) **1026**, auxiliary input/output (I/O) subsystems **1028**, serial port **1030**, one or more keyboards or keypads **1032**, speaker **1034**, microphone **1036**, other communication subsystem **1040** such as a short-range communications subsystem and any other device subsystems generally designated as **1042**. Serial port **1030** may include a USB port or other port known to those in the art.

**[00165]** Some of the subsystems shown in **Figure 10** perform communication-related functions, whereas other subsystems may provide "resident" or on-device functions. Notably, some subsystems, such as keyboard **1032** and display **1022**, for example, may be used for both communication-related functions, such as entering a text message for transmission over a communication network, and device-resident functions such as a calculator or task list.

[00166] Operating system software used by the microprocessor **1038** is stored in a persistent store such as flash memory **1024**, which may instead be a read-only memory (ROM) or similar storage element (not shown). Those skilled in the art will appreciate that the operating system, specific device applications, or parts thereof, may be temporarily loaded into a volatile memory such as RAM **1026**. Received communication signals may also be stored in RAM **1026**.

[00167] As shown, flash memory **1024** can be segregated into different areas for both computer programs **1058** and program data storage **1050**, **1052**, **1054** and **1056**. These different storage types indicate that each program can allocate a portion of flash memory **1024** for their own data storage requirements. Microprocessor **1038**, in addition to its operating system functions, enables execution of software applications on the mobile device. A predetermined set of applications that control basic operations, including at least data and voice communication applications for example, will normally be installed on mobile device **1000** during manufacturing. Other applications may be installed subsequently or dynamically.

[00168] A software application may be a personal information manager (PIM) application having the ability to organize and manage data items relating to the user of the mobile device such as, but not limited to, e-mail, calendar events, voice mails, appointments, and task items. Naturally, one or more memory stores may be available on the mobile device to facilitate storage of PIM data items. Such PIM application may have the ability to send and receive data items, via the wireless network **1019**. In one embodiment, the PIM data items are seamlessly integrated, synchronized and updated, via the wireless network **1019**, with the mobile device user's corresponding data items stored or associated with a host computer system. Further applications may also be loaded onto the mobile device **1000** through the network **1019**, an auxiliary I/O subsystem **1028**, serial port **1030**, short-range communications subsystem **1040** or any other suitable subsystem **1042**, and installed by a user in the RAM **1026** or a non-volatile store (not shown) for execution by the microprocessor **1038**. Such flexibility in application installation increases the functionality of the device and may provide enhanced on-device functions, communication-related functions, or both. For example, secure communication applications may enable electronic commerce

functions and other such financial transactions to be performed using the mobile device **1000**.

**[00169]** In a data communication mode, a received signal such as a text message or web page download will be processed by the communication subsystem **1011** and input to the microprocessor **1038**, which may further processes the received signal for element attributes for output to the display **1022**, or alternatively to an auxiliary I/O device **1028**. A push client **1060** could also process the input.

**[00170]** A user of mobile device **1000** may also compose data items such as email messages for example, using the keyboard **1032**, which may comprise a complete alphanumeric keyboard or telephone-type keypad, in conjunction with the display **1022** and possibly an auxiliary I/O device **1028**. In some embodiments display **1022** may comprise a touchscreen display, and the keyboard **1032** may comprise a virtual keyboard. The composed items may then be transmitted over a communication network through the communication subsystem **1011**. Security for such communications is enabled through the use of a low entropy shared secret as outlined above with regards to **Figures 1 to 6**.

**[00171]** For voice communications, overall operation of mobile device **1000** is similar, except that received signals maybe output to a speaker **1034** and signals for transmission may be generated by a microphone **1036**. Alternative voice or audio I/O subsystems, such as a voice message recording subsystem, may also be implemented on mobile device **1000**. Although voice or audio signal output may be accomplished primarily through the speaker **1034**, display **1022** may also be used to provide an indication of the identity of a calling party, the duration of a voice call, or other voice call related information for example.

**[00172]** Serial port **1030** in **Figure 10** may normally be implemented in a personal digital assistant (PDA)-type mobile device for which synchronization with a user's desktop computer (not shown) may be desirable, but is an optional device component. Such a port **1030** may enable a user to set preferences through an external device or software application and may extend the capabilities of mobile device **1000** by providing for information or software downloads to mobile device **1000** other than through a wireless communication network. The alternate download path may for example be used to load an encryption key onto

the device through a direct and thus reliable and trusted connection to thereby enable secure device communication. As will be appreciated by those skilled in the art, serial port **1030** can further be used to connect the mobile device to a computer to act as a modem.

- 5 **[00173]** Other communications subsystems **1040**, such as a short-range communications subsystem, is a further optional component which may provide for communication between mobile device **1000** and different systems or devices, which need not necessarily be similar devices. For example, the subsystem **1040** may include an infrared device and associated circuits and components or a
- 10 Bluetooth™ communication module to provide for communication with similarly enabled systems and devices. Subsystem **1040** may also be used for WiFi communications.

**Claims:**

1. A method for secure channel initialization transaction security, between a client network element and a server network element, utilizing a low-entropy shared secret at the client network element, the method comprising:
  - 5 choosing a random client ephemeral private key at the client network element;
  - utilizing the client ephemeral private key and the shared secret to create a client ephemeral public key at the client network element;
  - 10 forwarding the client ephemeral public key to the server network element in a channel initialization request;
  - receiving, from the server network element, a message including an encrypted payload, a message authentication code 'MAC' and a server ephemeral public key, the encrypted payload including a client credential created
  - 15 at the server network element and a server credential;
  - utilizing the server ephemeral public key and the client ephemeral private key to derive a high-entropy shared secret; and
  - decrypting the payload and verifying the MAC with the high-entropy shared secret;
  - 20 using the client credential and the server credential to establish a secure session.
2. The method of claim 1 wherein the creating of a client public key utilizes Elliptical Curve Simple Password Exponentiation Key Exchange.
- 25 3. The method of claim 2 wherein the act of forwarding forwards  $x,y$ -coordinates for the client ephemeral public key.
4. The method of claim 2 wherein the act of receiving comprises receiving
- 30  $x,y$ -coordinates for the server ephemeral public key.

5. A method for secure channel initialization transaction security, between a client network element and a server network element, utilizing a low-entropy shared secret, at the server network element, the method comprising:
- receiving a client ephemeral public key in a channel initialization request from the client network element;
  - selecting a random server ephemeral private key;
  - using the server ephemeral private key and the shared secret to create a server ephemeral public key;
  - creating a high-entropy shared secret based on the client ephemeral public key and the server ephemeral private key;
  - encrypting a payload with the high-entropy shared secret, the encrypted payload including a client credential generated at the server network element and a server credential;
  - preparing a message, the message including the server ephemeral public key and the encrypted payload;
  - creating a message authentication code 'MAC' for the message; and
  - sending the message, and the MAC to the client network element;
  - using the client credential and the server credential to establish a secure session.
6. The method of claim 5 wherein the creating of a server public key utilizes Elliptical Curve Simple Password Exponentiation Key Exchange.
7. The method of claim 6 wherein the receiving of the client ephemeral public key receives  $x,y$ -coordinates for the client ephemeral public key.
8. The method of claim 6 wherein the act of sending sends  $x,y$ -coordinates for the server ephemeral public key.

9. A client network element adapted for secure channel initialization transaction security, between the client network element and a server network element, utilizing a low-entropy shared secret, the client network element being adapted to:
- choose a random client ephemeral private key;
  - utilize the client ephemeral private key and the shared secret to create a client ephemeral public key at the client network element;
  - forward the client ephemeral public key to the server network element in a channel initialization request;
  - receive, from the server network element, a message including an encrypted payload, a server ephemeral public key and a message authentication code 'MAC', the encrypted payload including a client credential generated at the server network element and a server credential;
  - utilize the server ephemeral public key and the client ephemeral private key to derive the high-entropy shared secret;
  - decrypt the payload and verify the MAC with the high-entropy shared secret; and
  - use the client credential and the server credential to establish a secure session.
10. The client network element of claim 9 wherein the creation of the client public key utilizes Elliptical Curve Simple Password Exponentiation Key Exchange.
11. A server network element adapted for secure channel initialization transaction security, between the server network element and a client network element, utilizing a low-entropy shared secret, the server network element being adapted to:

receive a client ephemeral public key in a channel initialization request from the client network element;

select a random server ephemeral private key;

5 use the server ephemeral private key and the shared secret to create a server ephemeral public key at the server network element;

create a high-entropy shared secret based on the client ephemeral public key and the server ephemeral private key;

10 encrypt a payload with the high-entropy shared secret, the encrypted payload including a client credential generated at the server network element and a server credential;

prepare a message, the message including the server ephemeral public key and the encrypted payload;

create a message authentication code 'MAC' for the message; send the message and the MAC to the client network element; and

15 use the server credential and the client credential to establish a secure session.

12. The server network element of claim 11 wherein the creation of a server public key utilizes Elliptical Curve Simple Password Exponentiation Key  
20 Exchange.

13. A computer readable medium storing program code executable by a processor of a computing system for causing said computing system to perform the method of any one of claims 1 to 8.  
25

14. A method to secure channel initialization transaction security, between a client network element and a server network element, utilizing a low-entropy shared secret, the method comprising the steps of:

30 choosing a random client ephemeral private key at the client network element;

utilizing the client ephemeral private key and the shared secret to create a client ephemeral public key at the client network element;

forwarding the client ephemeral public key in a channel initialization request to the server network element;

5 selecting a random server ephemeral private key at the server network element;

using the server ephemeral private key and the shared secret to create a server ephemeral public key at the server network element;

10 creating a high entropy shared secret based on the client ephemeral public key and the server ephemeral private key at the server network element;

encrypting a payload with the high-entropy shared secret at the server network element, the encrypted payload including a client credential generated at the server network element and a server credential;

15 preparing a message at the server network element, the message including the server ephemeral public key and the encrypted payload;

creating a message authentication code 'MAC' for the message at the server network element;

sending the message and the MAC from the server network element to the client network element;

20 utilizing the server ephemeral public key and the client ephemeral private key to derive the high-entropy shared secret at the client network element; and

decrypting the payload and verifying the MAC with the high-entropy shared secret at the client network element

25 using the client credential and the server credential to establish a secure session between the client network element and the server network element.

15. The method of claim 14 wherein the creating of a client public key utilizes elliptical curve Simple Password Exponentiation Key Exchange.

30 16. The method of claim 14 wherein the creating of a server public key utilizes elliptical curve Simple Password Exponentiation Key Exchange.

17. The method of claim 14 wherein the forwarding step forwards  $x,y$ -coordinates for the client ephemeral public key.

5 18. The method of claim 16 wherein the sending step sends the  $x,y$ -coordinates for the server ephemeral public key.

19. A system for secure channel initialization transaction security between a client network element and a server network element, utilizing a low-entropy shared secret, the client network element and server network element being adapted to:

choose a random client ephemeral private key at the client network element;

15 utilize the client ephemeral private key and the shared secret to create a client ephemeral public key at the client network element;

forward the client ephemeral public key in a channel initialization request to the server network element;

select a random server ephemeral private key at the server network element;

20 use the server ephemeral private key and the shared secret to create a server ephemeral public key at the server network element;

create a high entropy shared secret based on the client ephemeral public key and the server ephemeral private key;

25 encrypt a payload with the high-entropy shared secret at the server network element, the encrypted payload including a client credential generated at the server network element and a server credential;

prepare a message at the server network element, the message including the server ephemeral public key and the encrypted payload;

30 create a message authentication code 'MAC' for the message at the server network element;

send the message and the MAC from the server network element to the client network element;

utilize the server ephemeral public key and the client ephemeral private key to derive the high-entropy shared secret at the client network element; and

5 decrypt the payload and verify the MAC with the high-entropy shared secret at the client network element;

use the client credential and the server credential to establish a secure session between the client network element and the server network element.

10 20. The system of claim 19 wherein the creating of a client public key utilizes Elliptical Curve Simple Password Exponentiation Key Exchange.

21. The system of claim 19 or claim 20 wherein the creating of the server public key utilizes Elliptical Curve Simple Password Exponentiation Key  
15 Exchange.

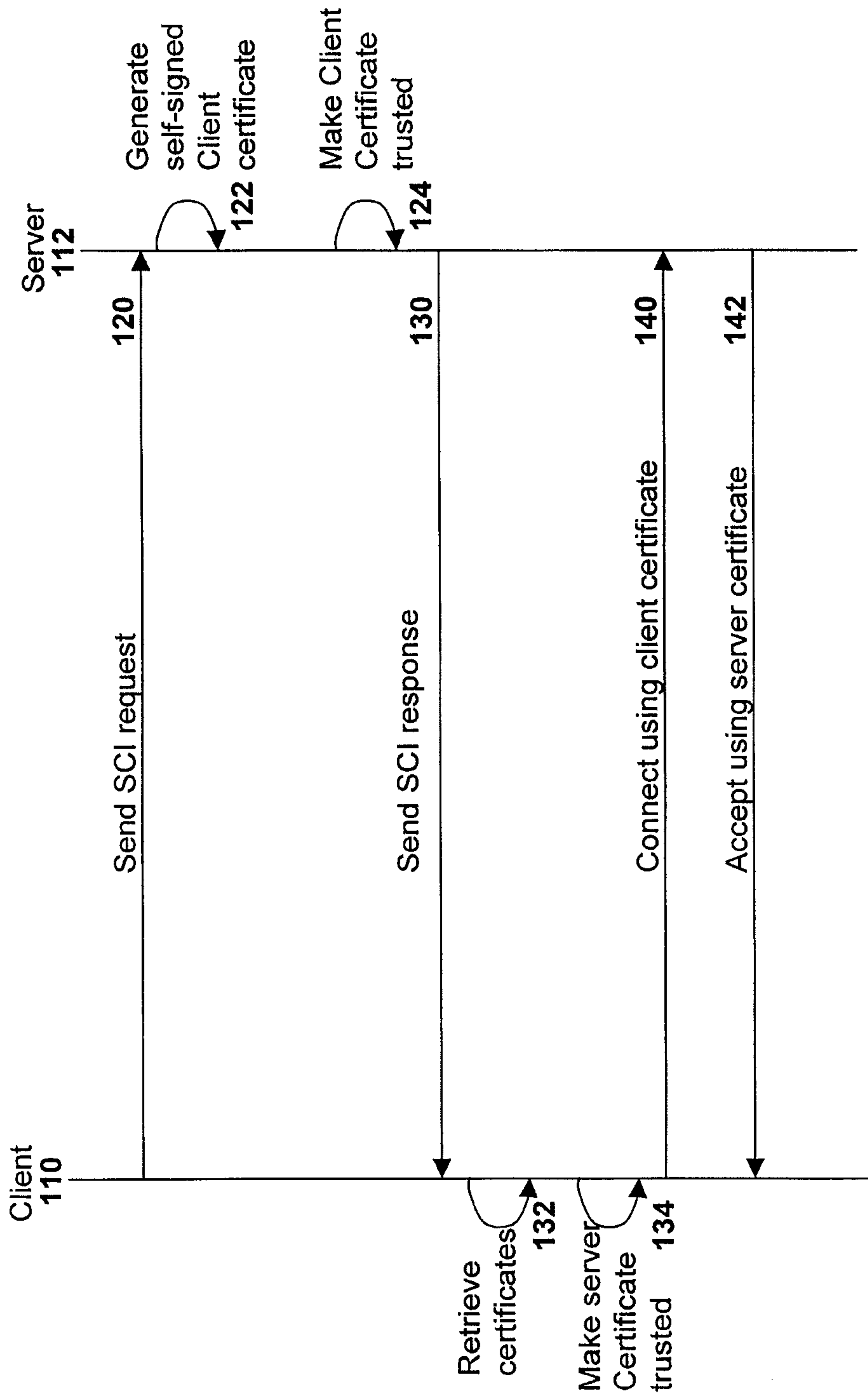


Fig. 1

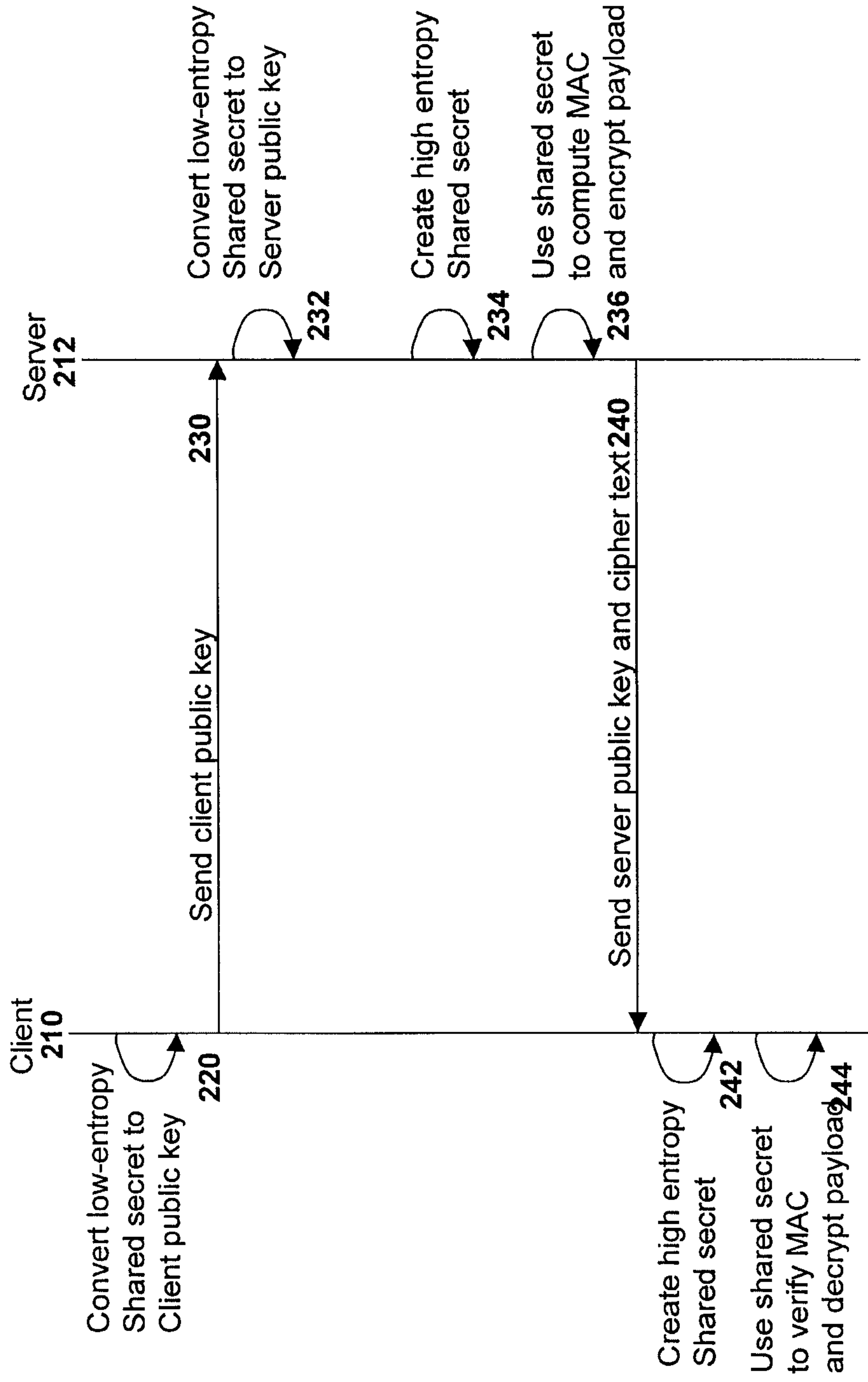
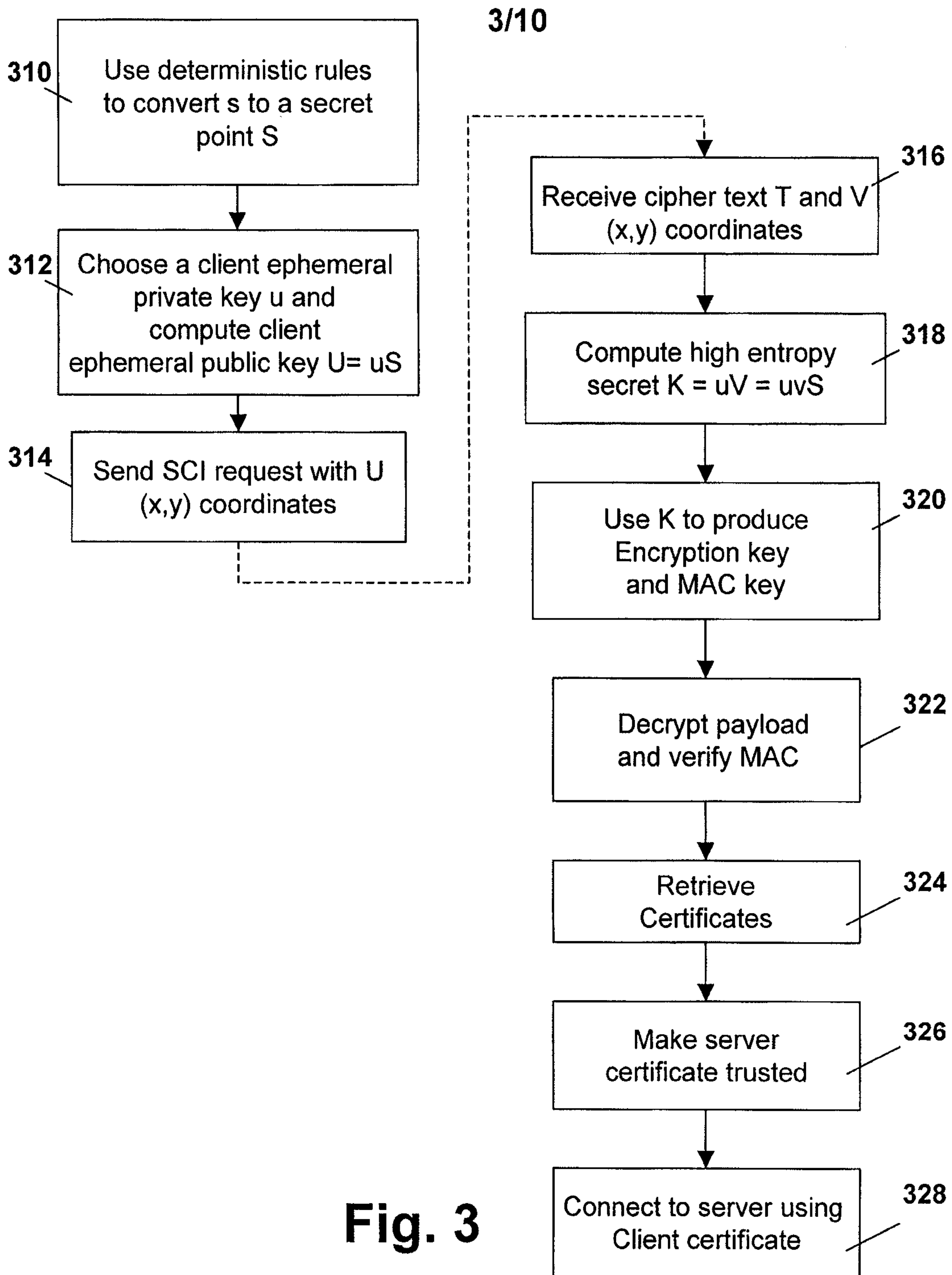
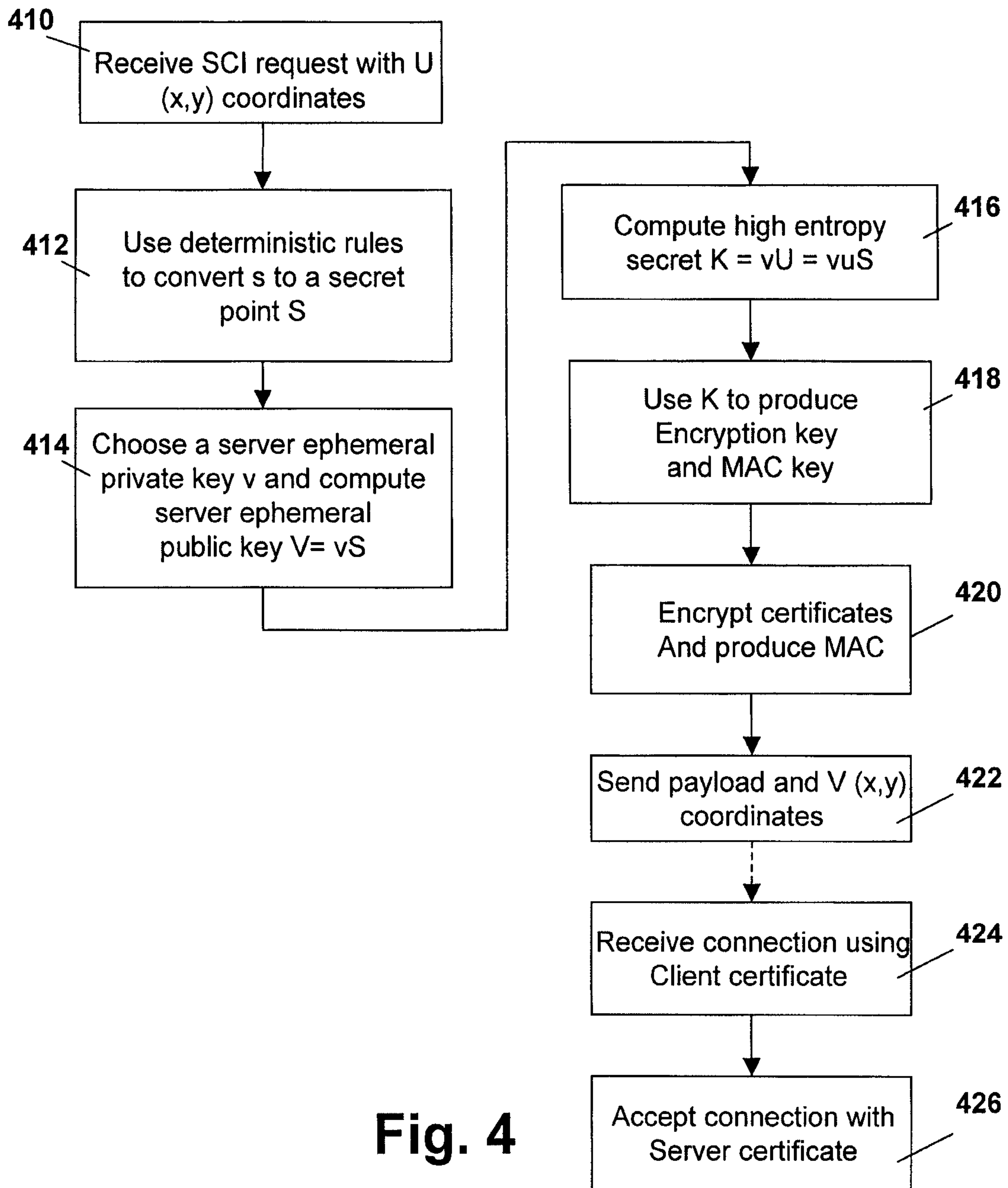
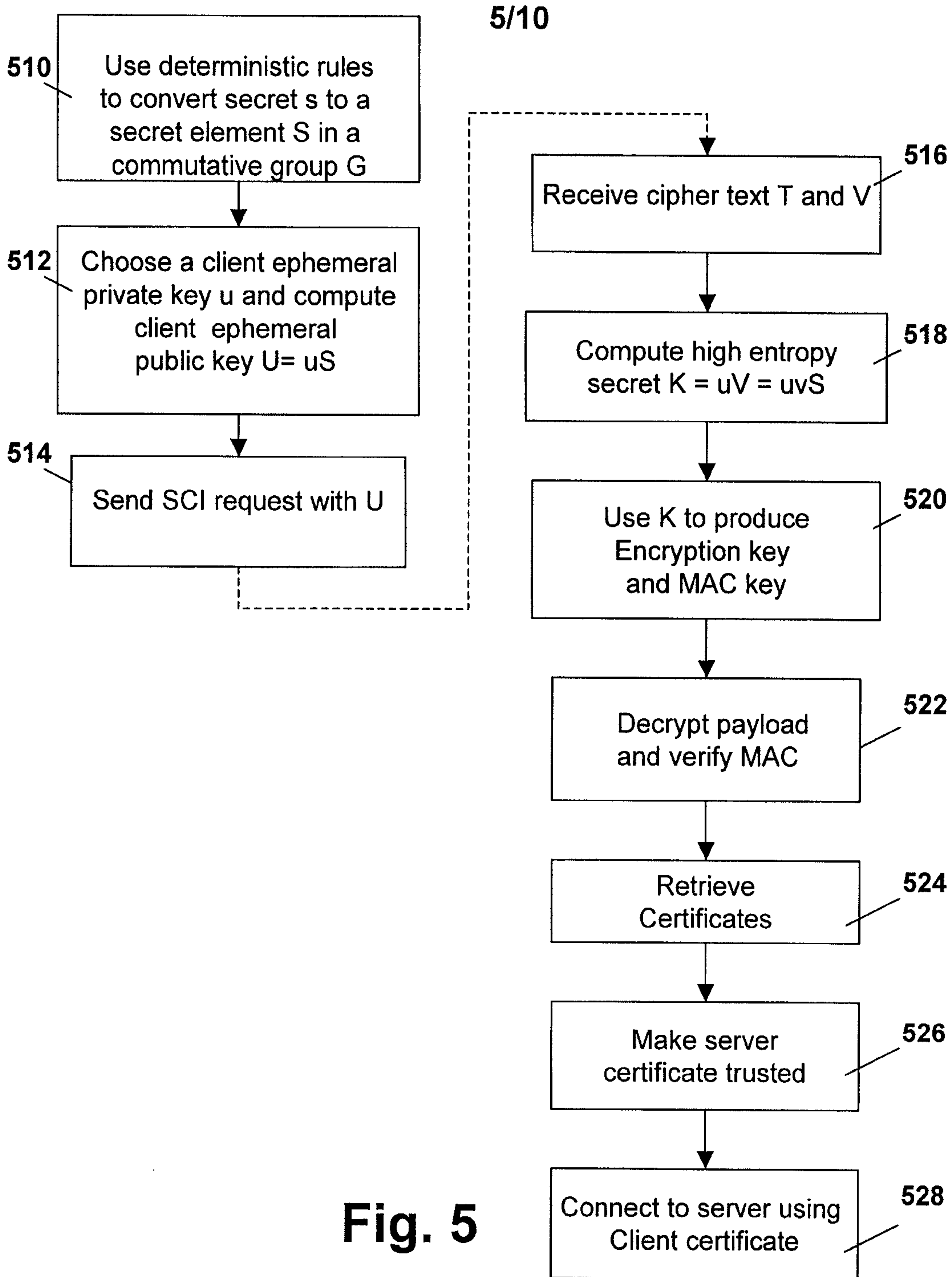


Fig. 2



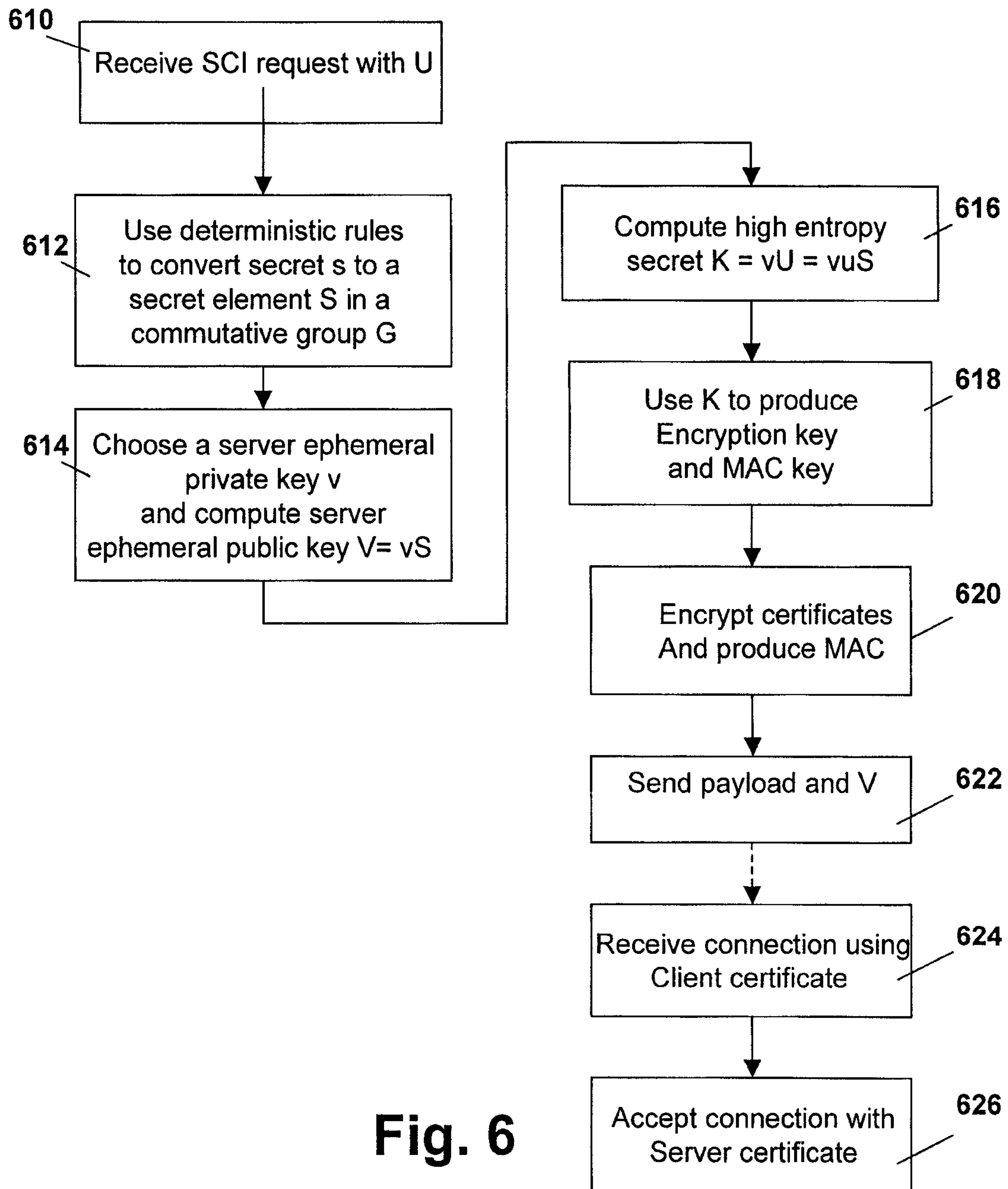
4/10

**Fig. 4**



**Fig. 5**

6/10

**Fig. 6**

7/10

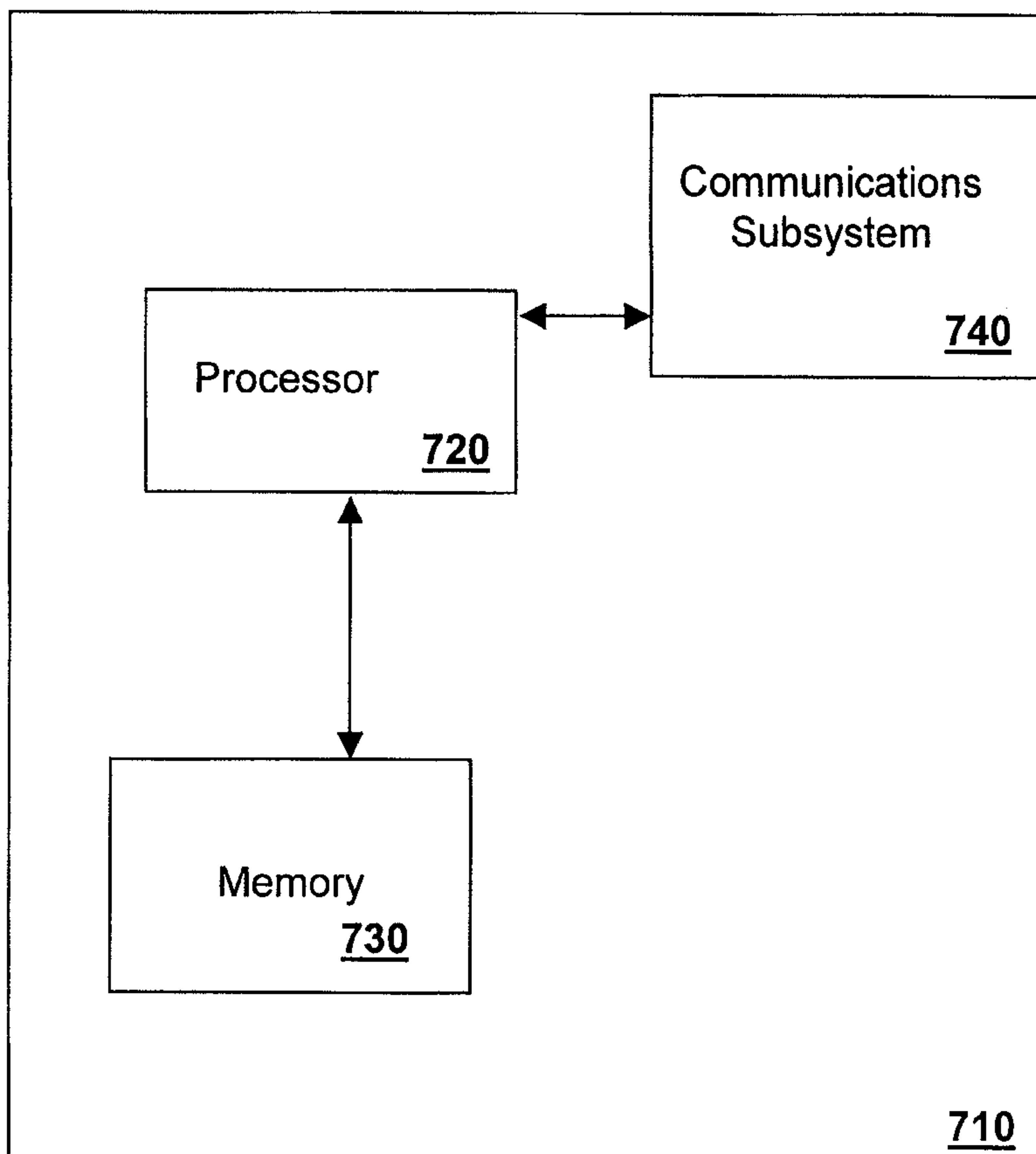


Fig. 7

8/10

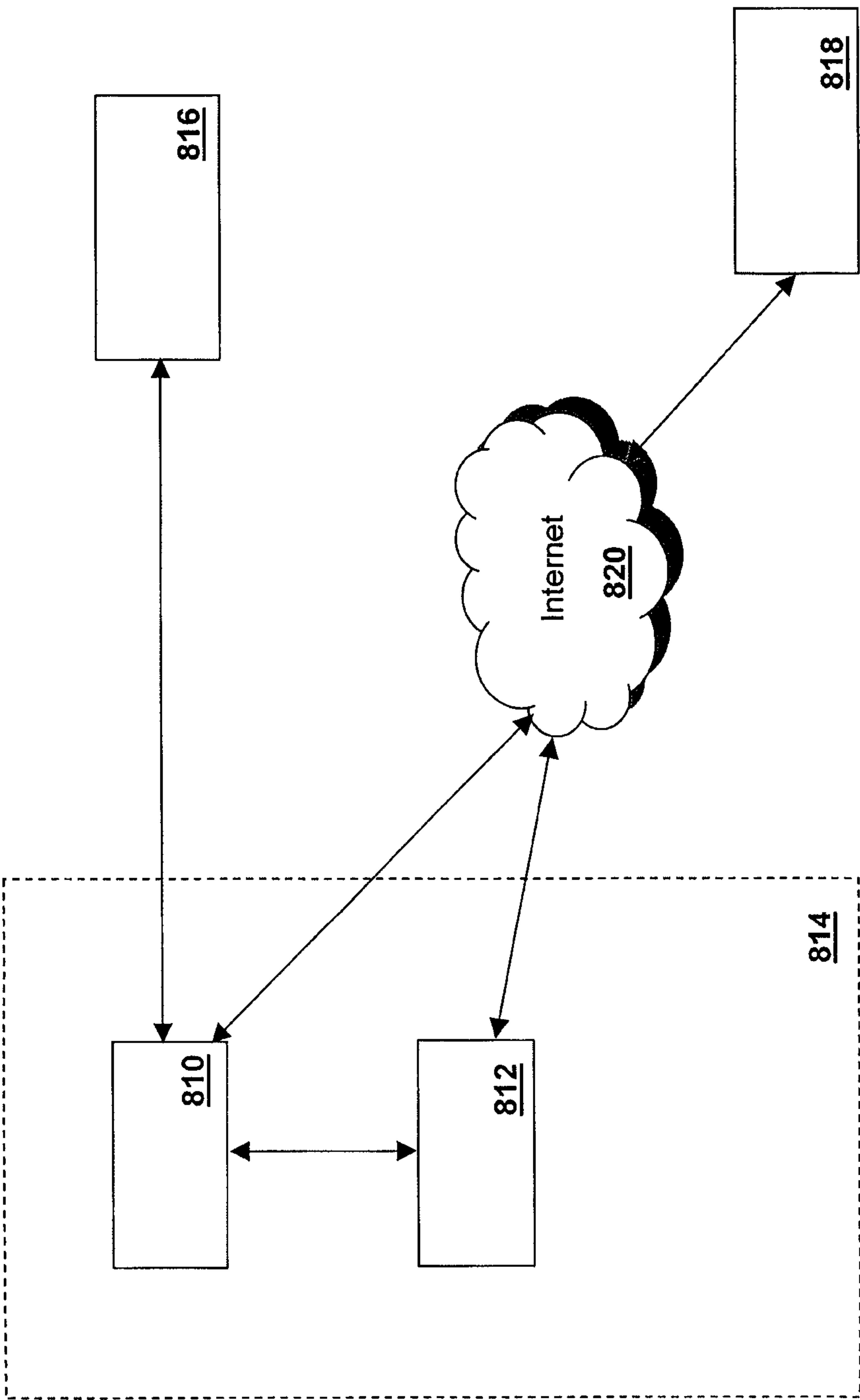


Fig. 8



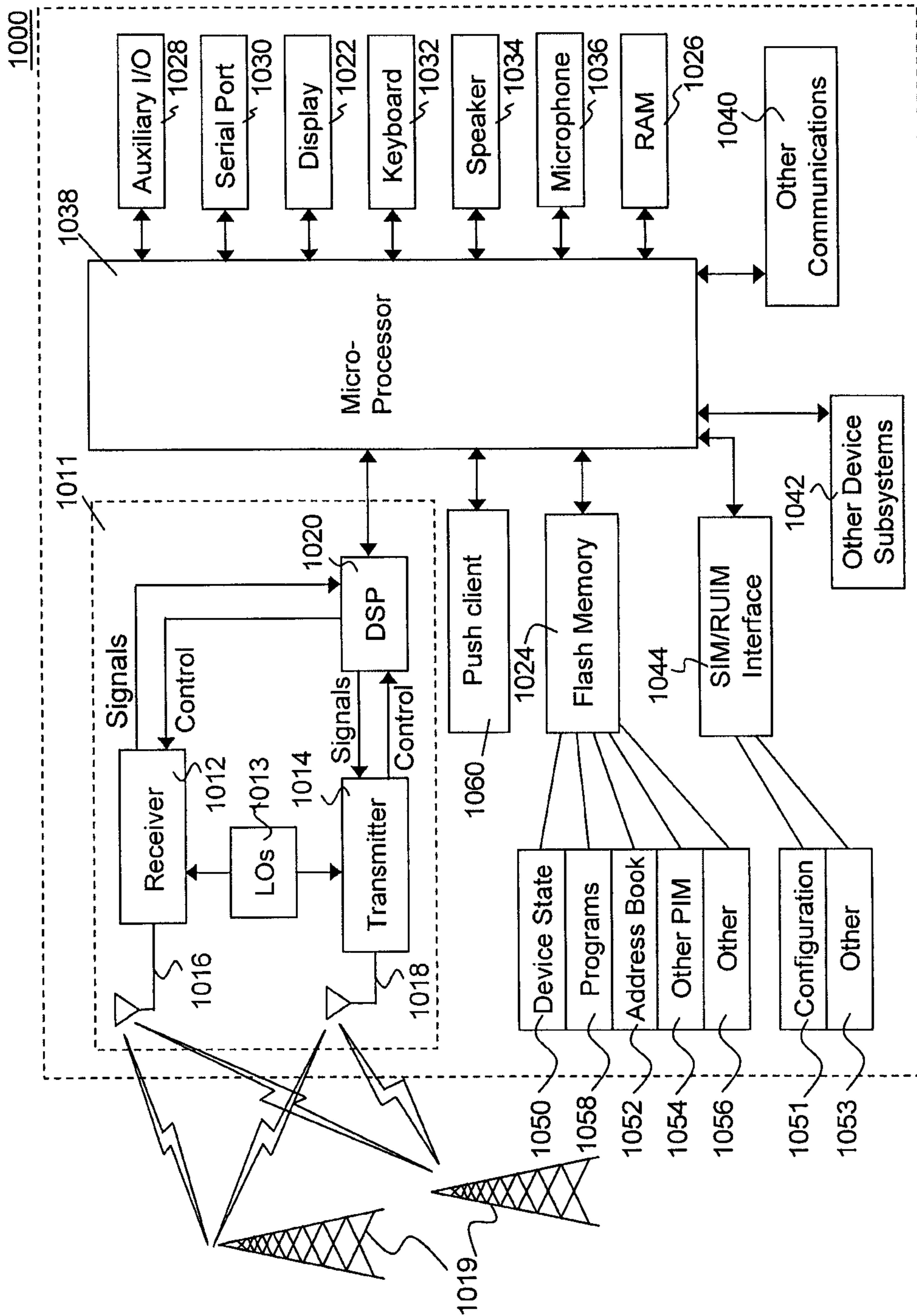


FIG. 10

