



(12) **United States Design Patent** (10) **Patent No.:** **US D927,691 S**
Ooshima et al. (45) **Date of Patent:** **** Aug. 10, 2021**

(54) **SCANNER**
 (71) Applicant: **Canon Medical Systems Corporation,**
 Otawara (JP)
 (72) Inventors: **Jun Ooshima,** Nasushiobara (JP); **Rika Harada,** Tokyo (JP)
 (73) Assignee: **Canon Medical Systems Corporation,**
 Otawara (JP)
 (**) Term: **15 Years**

D771,816 S 11/2016 Park et al.
 D783,830 S 4/2017 Baba
 D785,800 S * 5/2017 Park D24/158
 D794,798 S * 8/2017 Grosshauser D24/158
 D810,296 S * 2/2018 Achleitner D24/158
 D818,126 S * 5/2018 Personelli D24/158

(Continued)

FOREIGN PATENT DOCUMENTS

CN 304489232 2/2018
 CN 304614415 5/2018

(Continued)

(21) Appl. No.: **29/718,742**

(22) Filed: **Dec. 27, 2019**

(30) **Foreign Application Priority Data**

Aug. 21, 2019 (JP) 2019-018381

(51) **LOC (13) CL.** **24-01**

(52) **U.S. CL.**
 USPC **D24/158**

(58) **Field of Classification Search**
 USPC D24/158-161, 185, 186, 107
 CPC .. A61B 5/05; A61B 5/055; A61B 6/03; A61B
 6/035
 See application file for complete search history.

(56) **References Cited**

U.S. PATENT DOCUMENTS

D625,416 S * 10/2010 Kasai D24/158
 D628,294 S * 11/2010 Baba D24/158
 D681,207 S * 4/2013 Ninomiya D24/158
 D701,311 S * 3/2014 Ohmukai D24/158
 D701,312 S 3/2014 Ohmukai
 D701,313 S * 3/2014 Ohmukai D24/158
 D715,944 S 10/2014 Yao et al.
 D725,275 S * 3/2015 Matsumura D24/158
 D726,916 S * 4/2015 Kim D24/158
 D753,828 S 4/2016 Baba
 D770,624 S 11/2016 Yao et al.

OTHER PUBLICATIONS

Computed Tomography, posted at us.medical.canon, no posting date, retrieved Nov. 7, 2020, online, URL: <https://us.medical.canon/products/computed-tomography/> (Year: 2020).*

Primary Examiner — Lilyana Bekic
Assistant Examiner — Mary Shannon Malley
 (74) *Attorney, Agent, or Firm* — Finnegan, Henderson, Farabow, Garrett & Dunner, L.L.P.

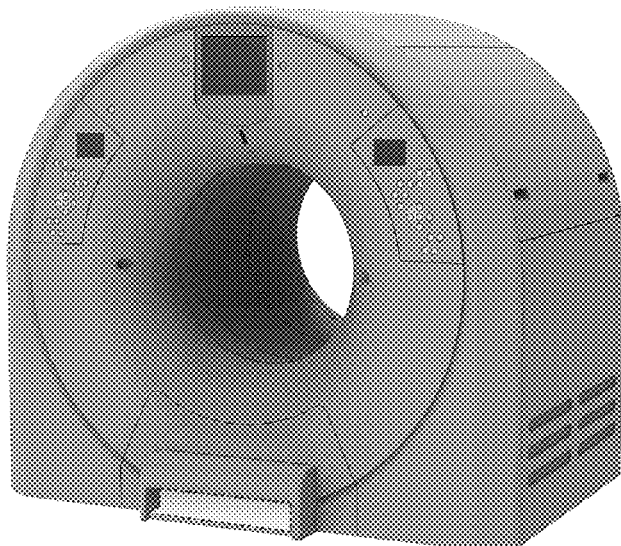
(57) **CLAIM**

The ornamental design for a scanner, as shown and described.

DESCRIPTION

FIG. 1 is a perspective view of a scanner showing our new design;
 FIG. 2 is a front elevational view thereof;
 FIG. 3 is a rear elevational view thereof;
 FIG. 4 is a right-side elevational view thereof;
 FIG. 5 is a top plan view thereof; and,
 FIG. 6 is a bottom plan elevational view thereof.
 The dash-dash broken lines in the figures and the lower opacity areas within the dash-dash lines, show portions of the scanner that form no part of the claimed design.

1 Claim, 6 Drawing Sheets



(56)

References Cited

U.S. PATENT DOCUMENTS

D835,789	S	*	12/2018	Achleitner	D24/158
D843,578	S	*	3/2019	Avranches	D24/158
D861,867	S	*	10/2019	Chang	D24/158
D866,765	S	*	11/2019	Guegel-Wild	D24/158
D868,262	S	*	11/2019	Achleitner	D24/158
D887,004	S	*	6/2020	Chang	D24/158

FOREIGN PATENT DOCUMENTS

CN	304706639	6/2018
CN	304712241	7/2018
JP	1354647	3/2009
JP	1359384	5/2009
JP	1387513	5/2010
JP	1439215	4/2012
JP	1471208	6/2013
JP	1475614	7/2013
JP	1524788	6/2015
JP	1553963	7/2016
JP	1562665	11/2016
KR	30-0565514	7/2010
KR	30-0757665	8/2014
KR	30-0757665-1	12/2014
KR	30-0775802	12/2014
KR	30-0768202	10/2017
KR	30-0785507	2/2018

* cited by examiner

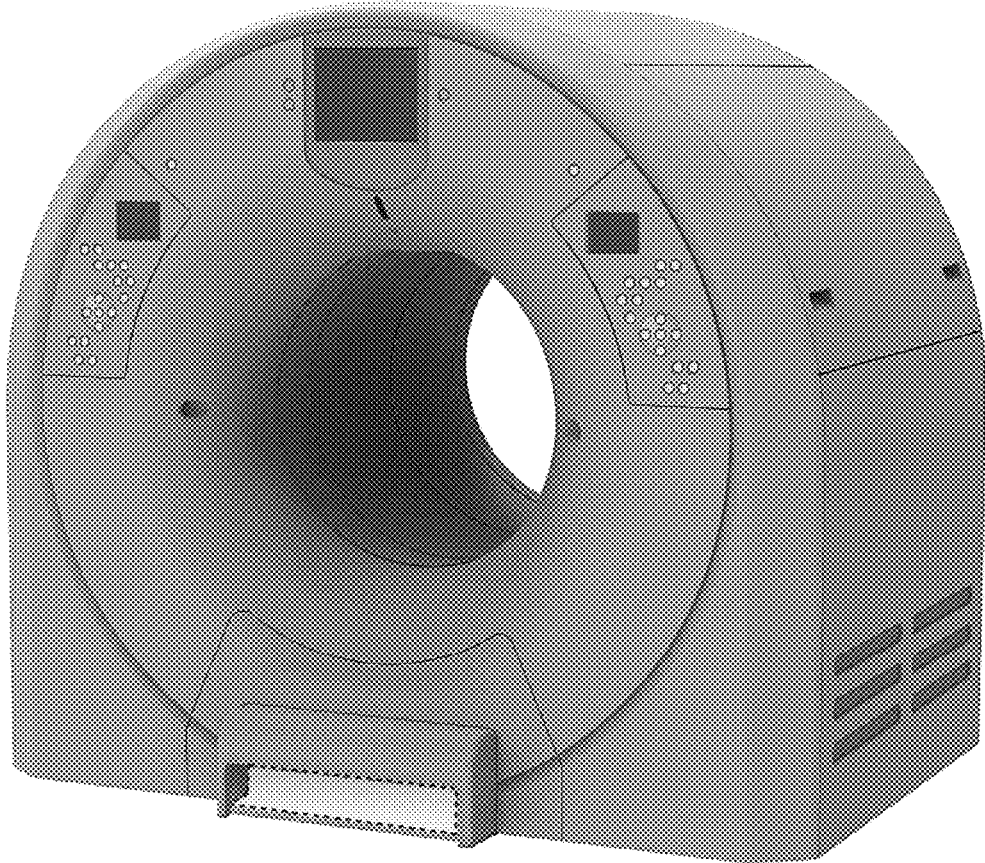


FIG. 1

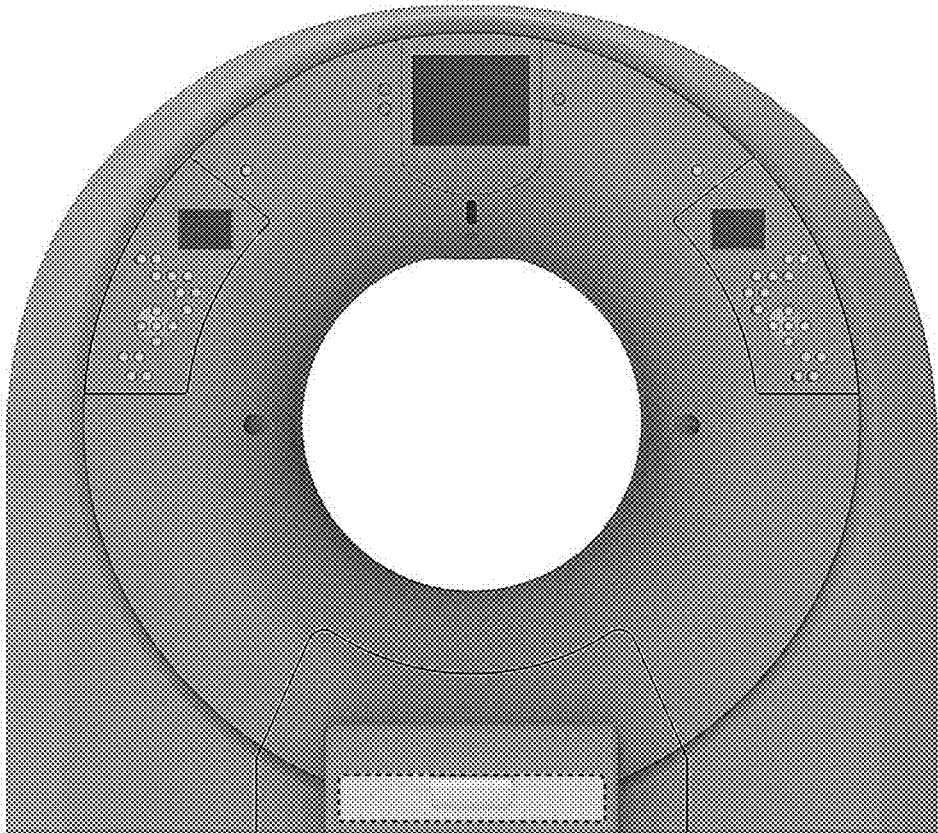


FIG. 2

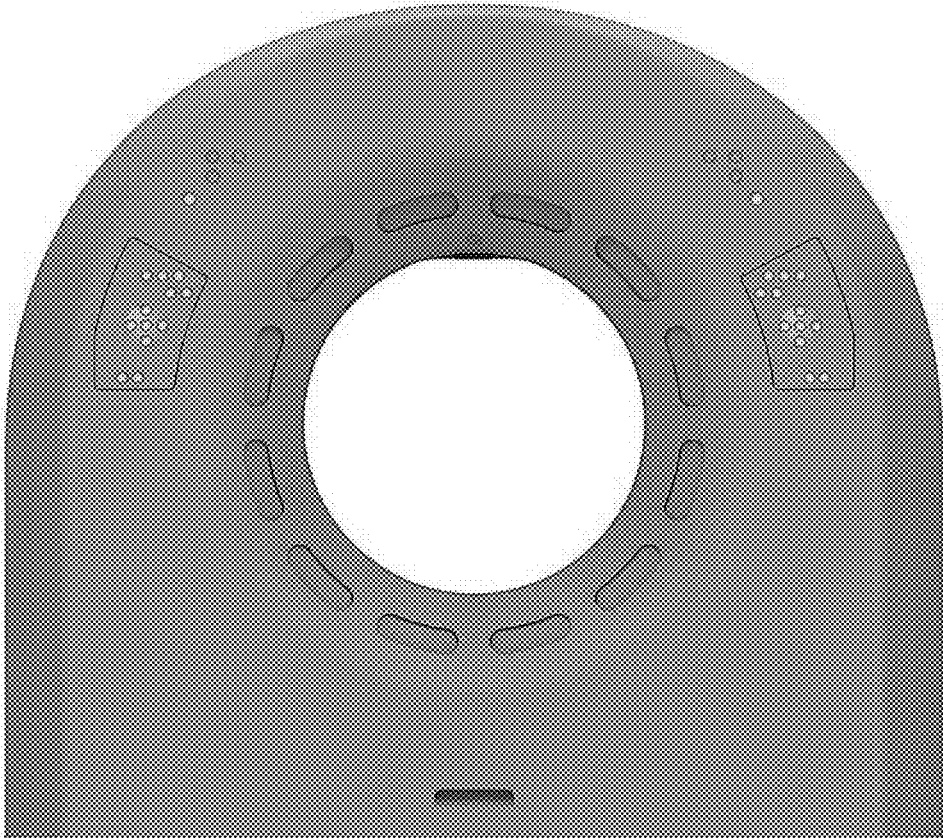


FIG. 3

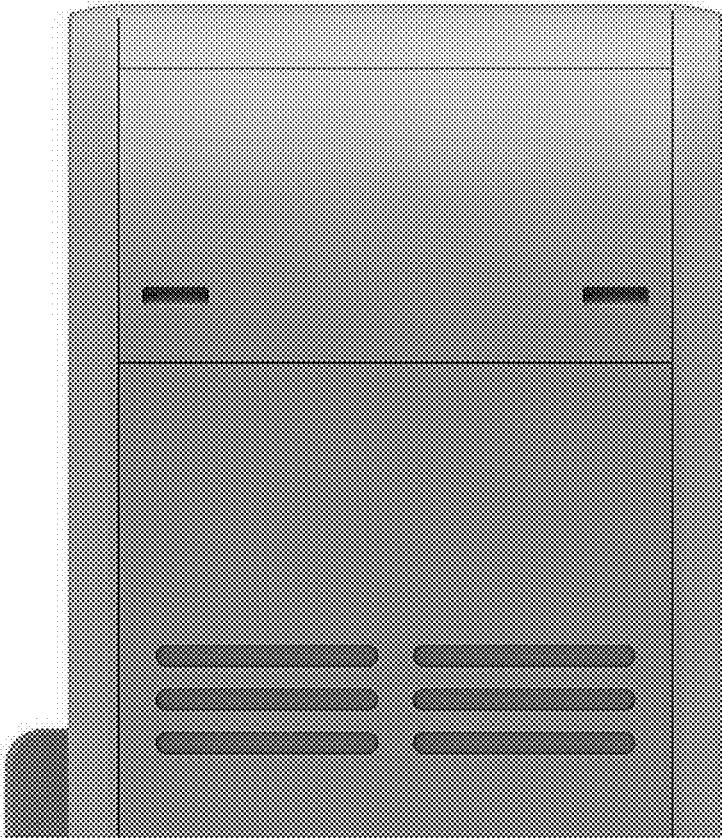


FIG. 4

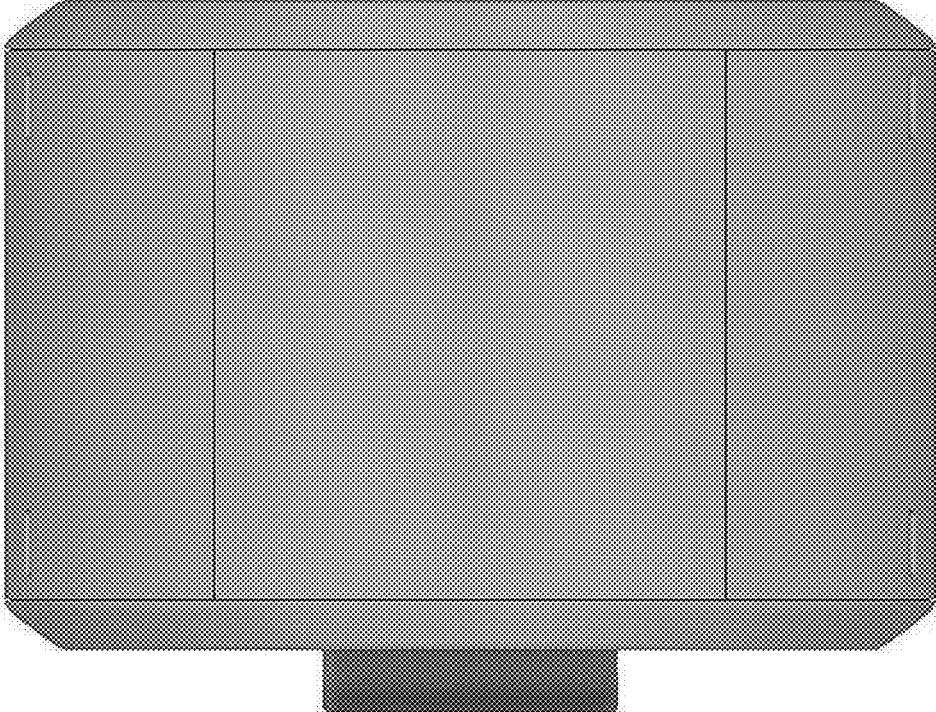


FIG. 5

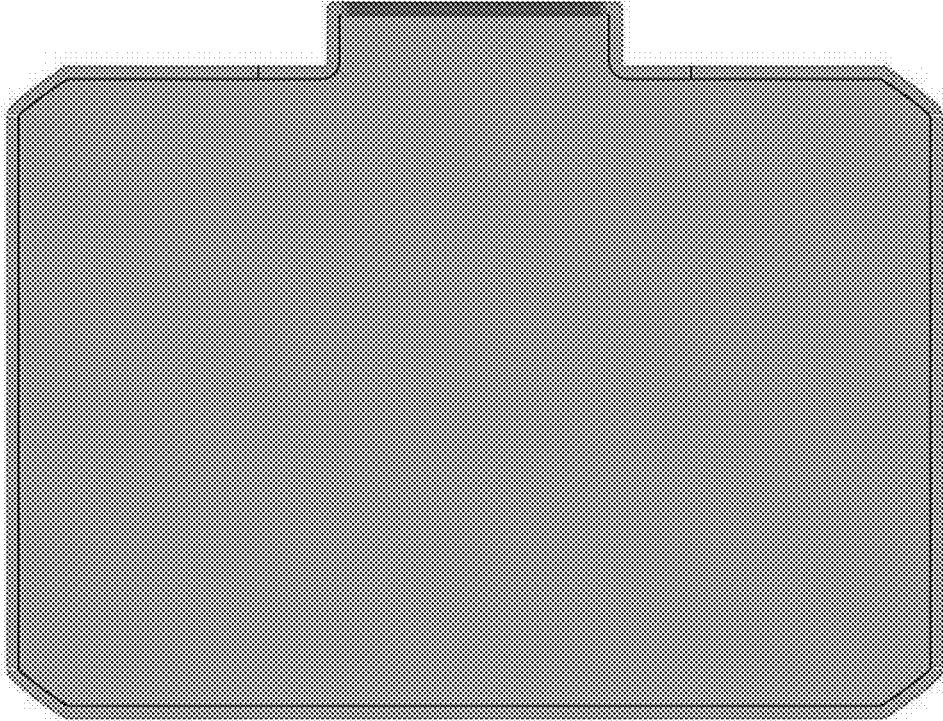


FIG. 6