



US0D1067404S

(12) **United States Design Patent**
Wang

(10) **Patent No.:** **US D1,067,404 S**

(45) **Date of Patent:** **** Mar. 18, 2025**

(54) **FILTER CARTRIDGE**

(71) Applicant: **Donaldson Company, Inc.**,
Bloomington, MN (US)

(72) Inventor: **Shirong Wang**, Wuxi (CN)

(73) Assignee: **Donaldson Company, Inc.**,
Bloomington, MN (US)

(**) Term: **15 Years**

(21) Appl. No.: **29/822,329**

(22) Filed: **Jan. 7, 2022**

(51) **LOC (15) Cl.** **23-04**

(52) **U.S. Cl.**

USPC **D23/365**

(58) **Field of Classification Search**

USPC D23/209, 233, 248, 249, 253, 259-269,
D23/332-336, 341, 351-366, 370, 385,
D23/386, 387, 388, 390, 393, 397, 411,
D23/412; D24/129; D25/41.1, 119-125,
D25/136; D8/354, 376, 377, 382, 396;
D14/125, 188, 194, 195, 204, 221, 228,
D14/240, 253, 348, 350, 358, 496;
D21/332; D26/26, 40, 46, 49, 97, 110,
D26/123, 124; D11/143, 146, 152, 153;
D9/432

CPC A61L 2209/11; A61L 2209/14; A61L
2209/133; A61L 9/03; A61L 9/04; A61L
9/05; A61L 9/12; A61L 9/14; A61L
9/012; A61L 9/015; A61L 9/048; A61L
9/122; A61L 9/127; A61L 9/205; F24F
13/18; F24F 13/20; F24F 2221/14; F24F
2221/17; F24F 6/00; F24F 6/06; F24F
6/043; F24F 1/00; F24F 1/02; F24F
1/022; B01D 46/00; B01D 46/001; B01D
46/0002; B01D

(Continued)

(56) **References Cited**

U.S. PATENT DOCUMENTS

5,487,767 A 1/1996 Brown
D437,402 S * 2/2001 Gieseke D23/365

(Continued)

FOREIGN PATENT DOCUMENTS

DE 19935297 A1 2/2001
JP 2004136203 B2 5/2004

(Continued)

Primary Examiner — Gino Colan

Assistant Examiner — David Obrien

(74) *Attorney, Agent, or Firm* — Merchant & Gould P.C.

(57) **CLAIM**

The ornamental design for filter cartridge, as shown and described.

DESCRIPTION

FIG. 1 is a perspective view according to the present design; the perspective view being shown generally toward the handle end.

FIG. 2 is a second end perspective view of the filter cartridge of FIG. 1.

FIG. 3 is a first side elevational view of the cartridge of FIG. 1, the view of

FIG. 3 generally being toward the side viewable in FIG. 1. FIG. 4 is second side elevational view taken generally toward an opposite side to that viewable in FIG. 3.

FIG. 5 is an end elevational view of the filter cartridge of FIG. 1.

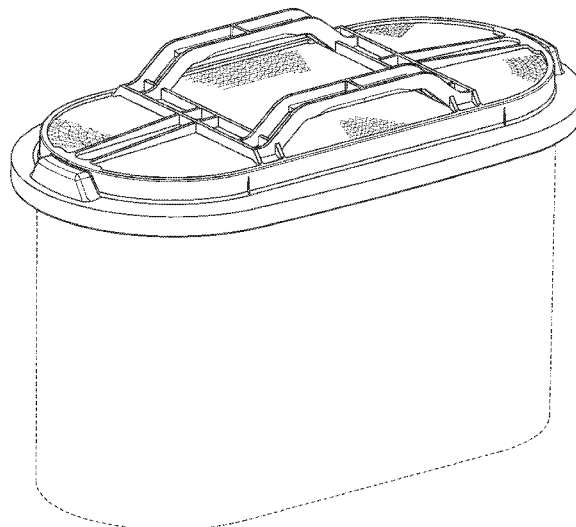
FIG. 6 is a second end elevational view, opposite the view of FIG. 5.

FIG. 7 is a handle end plan view of the cartridge of FIG. 1; the end viewable being viewable in FIG. 1; and,

FIG. 8 is a second end plan view of the cartridge of FIG. 1, taken generally opposite the view of FIG. 7.

The dotted or phantom lines indicate portions of the filter cartridge and form no part of the claimed design.

1 Claim, 8 Drawing Sheets



(58) **Field of Classification Search**

CPC 46/0004; B01D 46/0005; B01D 46/0012;
 B01D 46/0015; B01D 46/0016; B01D
 46/02; B01D 46/10; B01D 46/026; B01D
 46/18; B01D 46/24; B01D 46/2411;
 B01D 46/2418; B01D 46/2422; B01D
 46/2425; B01D 46/2429; B01D 46/2451;
 B01D 46/2455; B01D 46/247; B01D
 46/2478; B01D 46/2486; B01D 46/2488;
 B01D 46/249; B01D 46/2492; B01D
 46/2494; B01D 46/52; B01D 46/521;
 B01D 46/522; B01D 46/523; B01D
 46/527; B01D 46/54; B01D 46/58; B01D
 46/645; B01D 35/30; B01D 35/303;
 B01D 27/00; B01D 27/04; B01D 27/06;
 B01D 27/08; A01M 1/2044; Y10S
 261/17; Y10S 261/88; Y10S 261/89

See application file for complete search history.

8,728,193 B2 5/2014 Flagstad et al.
 8,741,017 B2 6/2014 Nelson
 8,747,512 B2 6/2014 Mills et al.
 D709,919 S 7/2014 Fairchild
 8,864,866 B2 10/2014 Osendorf et al.
 8,920,528 B2 12/2014 Dewit et al.
 D736,263 S 8/2015 Schultz
 9,242,199 B2 1/2016 Nelson et al.
 9,320,997 B2 4/2016 Campbell et al.
 9,387,425 B2 7/2016 Osendorf et al.
 9,463,404 B2 10/2016 Rieger et al.
 9,610,529 B2 4/2017 Mills et al.
 9,636,615 B2 5/2017 Osendorf et al.
 D793,453 S 8/2017 Krull
 D794,082 S 8/2017 Krull
 D798,907 S * 10/2017 Krull D23/365
 D819,698 S 6/2018 Krull
 D819,699 S * 6/2018 Krull D23/365
 10,046,260 B2 8/2018 Campbell et al.
 10,118,120 B2 11/2018 Movia et al.
 10,258,913 B2 4/2019 Osendorf et al.
 10,279,302 B2 5/2019 Mills et al.
 10,532,310 B2 1/2020 Burton et al.
 D875,630 S 2/2020 Kana
 10,576,403 B2 3/2020 Osendorf et al.
 D885,545 S 5/2020 Gieseke et al.
 D885,546 S 5/2020 Gossez et al.
 10,646,810 B2 5/2020 Movia et al.
 10,758,859 B2 9/2020 Gieseke et al.
 D909,557 S 2/2021 Jeon et al.

2005/0166561 A1 * 8/2005 Schrage B01D 46/10
 55/498
 2005/0193695 A1 9/2005 Holmes et al.
 2006/0081528 A1 * 4/2006 Oelpke B01D 46/527
 210/493.1
 2006/0174598 A1 8/2006 Mills et al.
 2007/0193236 A1 8/2007 Merritt
 2008/0016832 A1 1/2008 Krisko et al.
 2008/0110142 A1 5/2008 Nelson et al.
 2009/0301045 A1 * 12/2009 Nelson B01D 46/521
 55/497
 2010/0064646 A1 3/2010 Smith et al.
 2010/0242425 A1 9/2010 Swanson et al.
 2010/0252495 A1 10/2010 Reid et al.
 2010/0258493 A1 10/2010 Kindkeppel et al.
 2016/0045848 A1 2/2016 Campbell et al.
 2018/0161717 A1 * 6/2018 Adamek B01D 46/527
 2018/0221791 A1 8/2018 Lin
 2019/0224604 A1 * 7/2019 Lin B01D 46/521
 2019/0374897 A1 * 12/2019 Adamek B01D 46/527

(56)

References Cited

U.S. PATENT DOCUMENTS

6,190,432 B1 2/2001 Gieseke et al.
 6,235,195 B1 5/2001 Tokar
 D450,828 S 11/2001 Tokar
 6,348,084 B1 2/2002 Gieseke et al.
 6,350,291 B1 2/2002 Gieseke et al.
 D455,483 S * 4/2002 Gieseke D23/365
 D461,003 S 7/2002 Gieseke et al.
 D483,459 S * 12/2003 DeWit D23/365
 D484,584 S 12/2003 Anderson et al.
 6,706,087 B1 3/2004 Gebler et al.
 D497,202 S 10/2004 Carter et al.
 D506,539 S * 6/2005 Bishop D23/365
 6,966,940 B2 11/2005 Krisko et al.
 7,008,467 B2 3/2006 Krisko et al.
 7,247,183 B2 7/2007 Connor et al.
 7,282,077 B2 10/2007 Honisch et al.
 7,396,375 B2 7/2008 Nepsund et al.
 7,396,376 B2 7/2008 Schrage et al.
 7,481,863 B2 1/2009 Oelpke et al.
 7,520,913 B2 4/2009 Mills et al.
 7,625,419 B2 12/2009 Nelson et al.
 7,674,308 B2 3/2010 Krisko et al.
 7,713,321 B2 5/2010 Kuempel et al.
 7,736,410 B2 6/2010 Kuempel et al.
 7,905,936 B2 3/2011 Coulonvaux et al.
 7,967,886 B2 6/2011 Schrage et al.
 7,972,404 B2 7/2011 Kuempel et al.
 8,016,903 B2 9/2011 Nelson et al.
 8,066,791 B2 11/2011 Baseotto et al.
 8,128,724 B2 3/2012 Mills et al.
 8,163,056 B2 4/2012 Coulonvaux et al.
 8,409,316 B2 4/2013 Nelson et al.
 D690,407 S 9/2013 Williams et al.

FOREIGN PATENT DOCUMENTS

RU 2417819 C2 5/2011
 WO 2006084094 A2 8/2006
 WO 2007009039 A1 1/2007
 WO 2007009040 A1 1/2007
 WO 2009047196 A1 4/2009

* cited by examiner

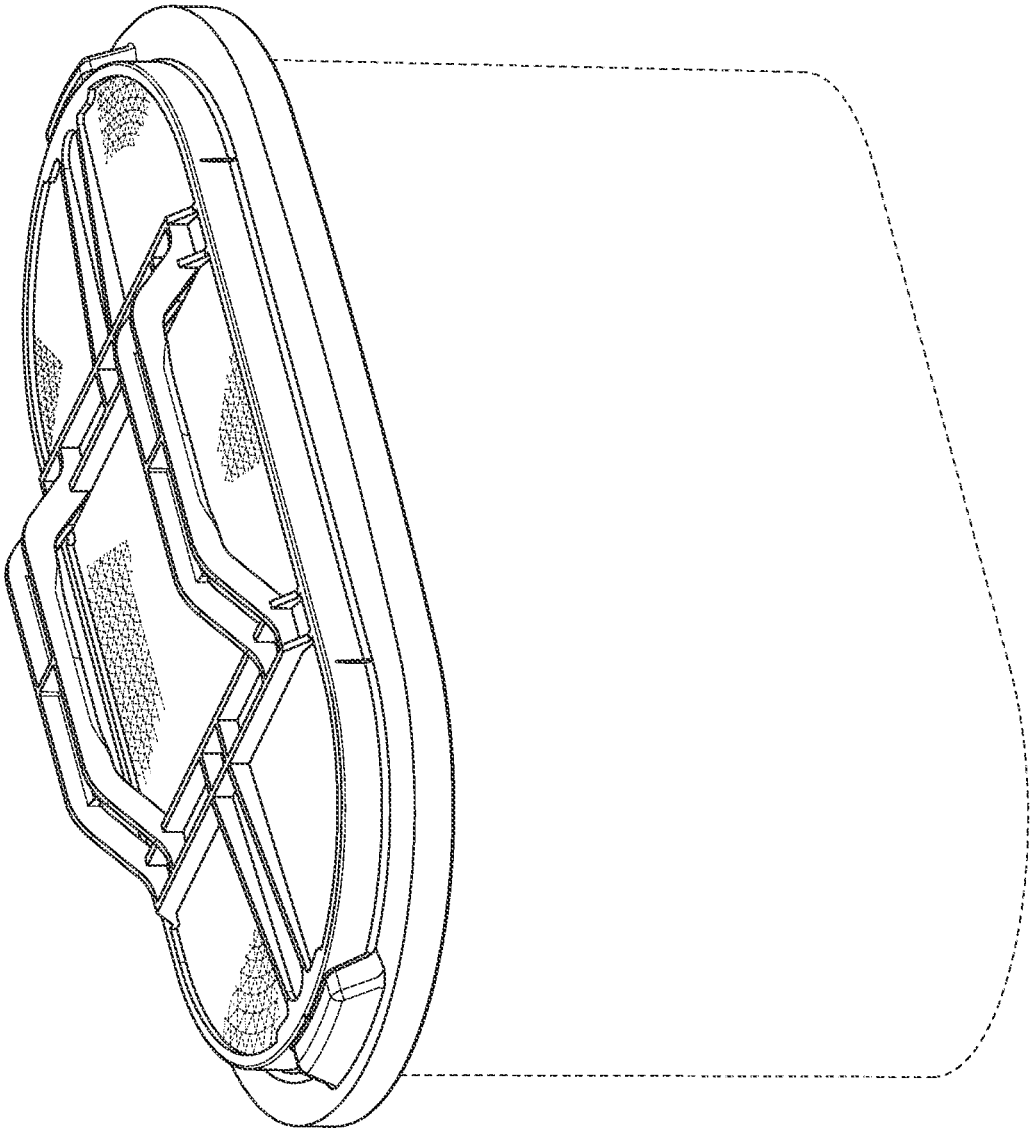


FIG. 1

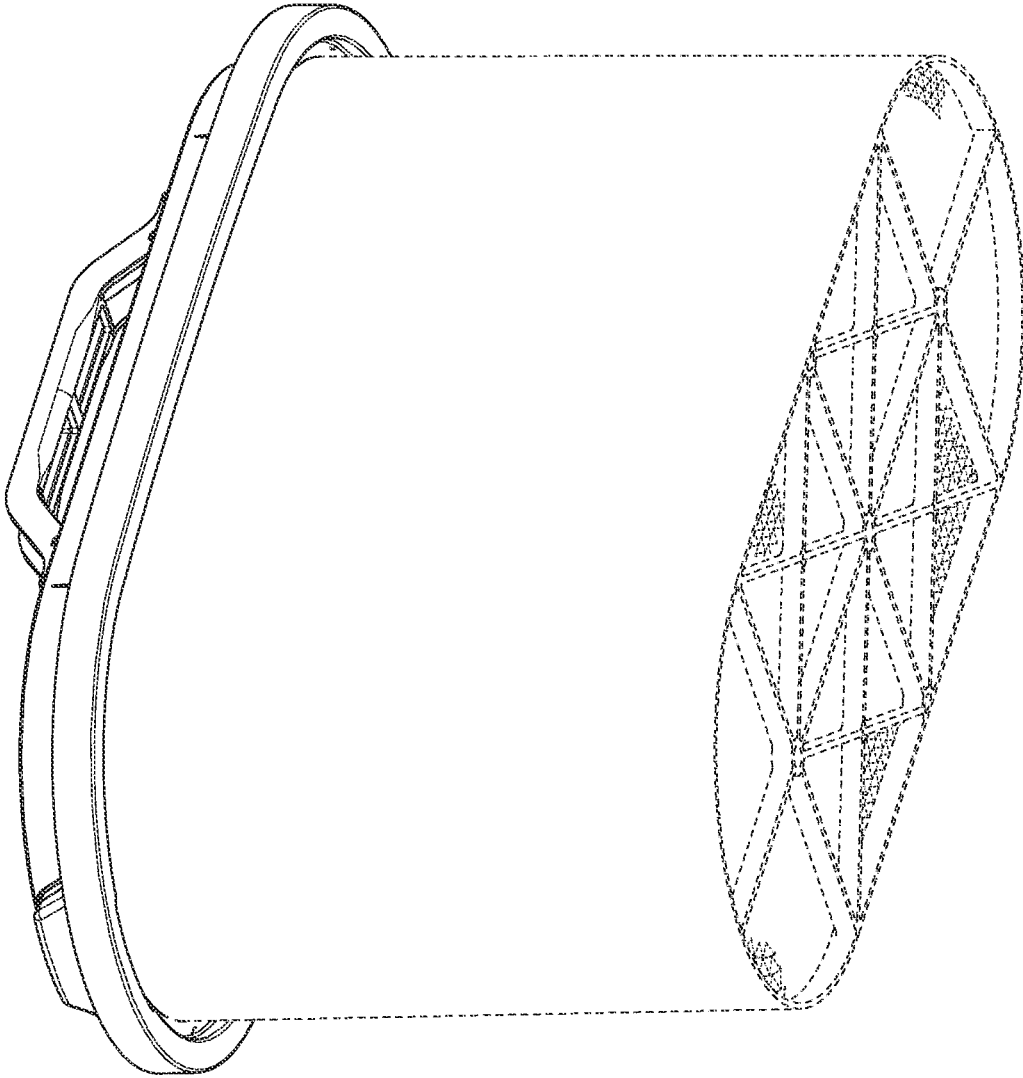


FIG. 2

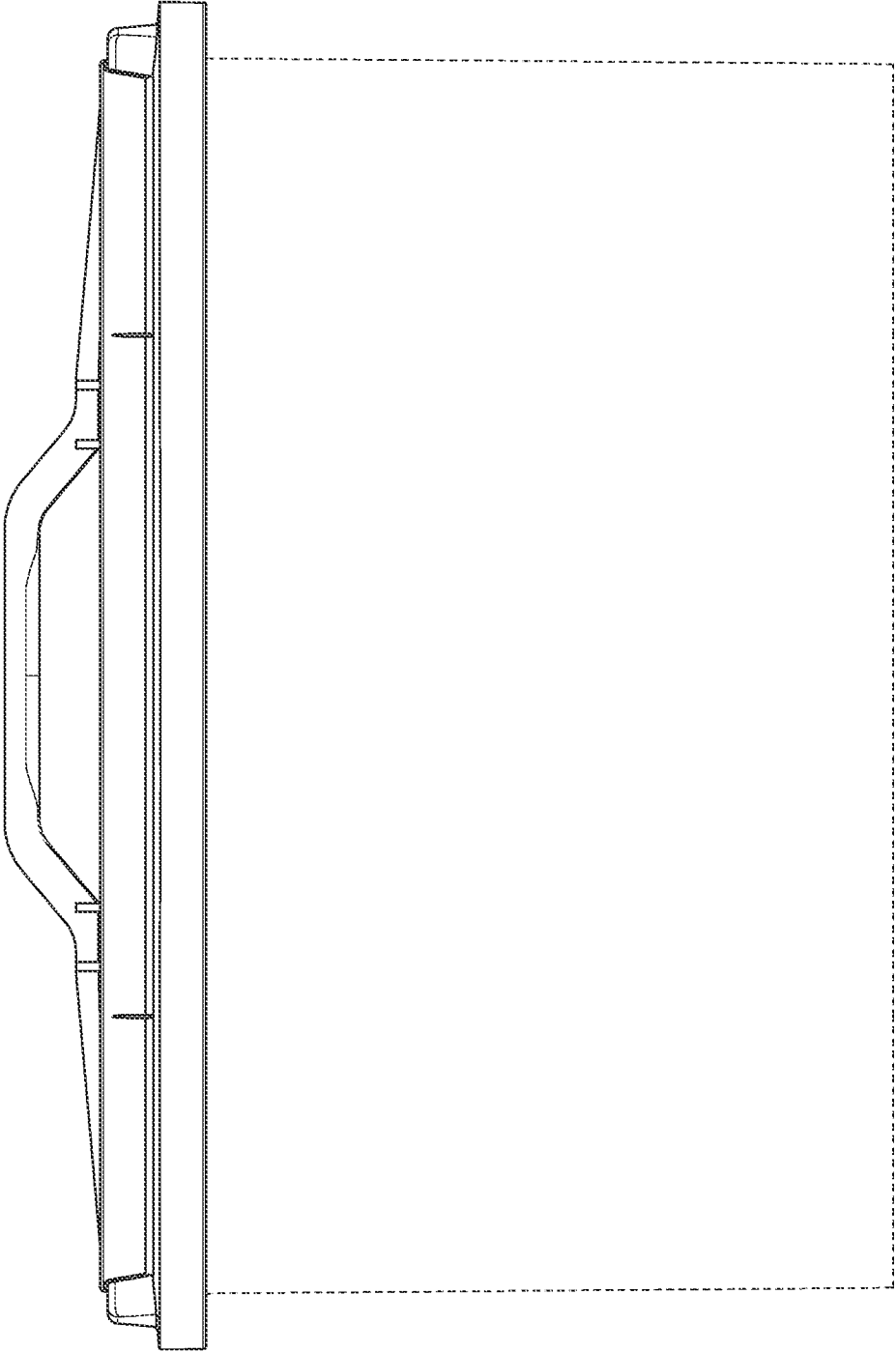


FIG. 3

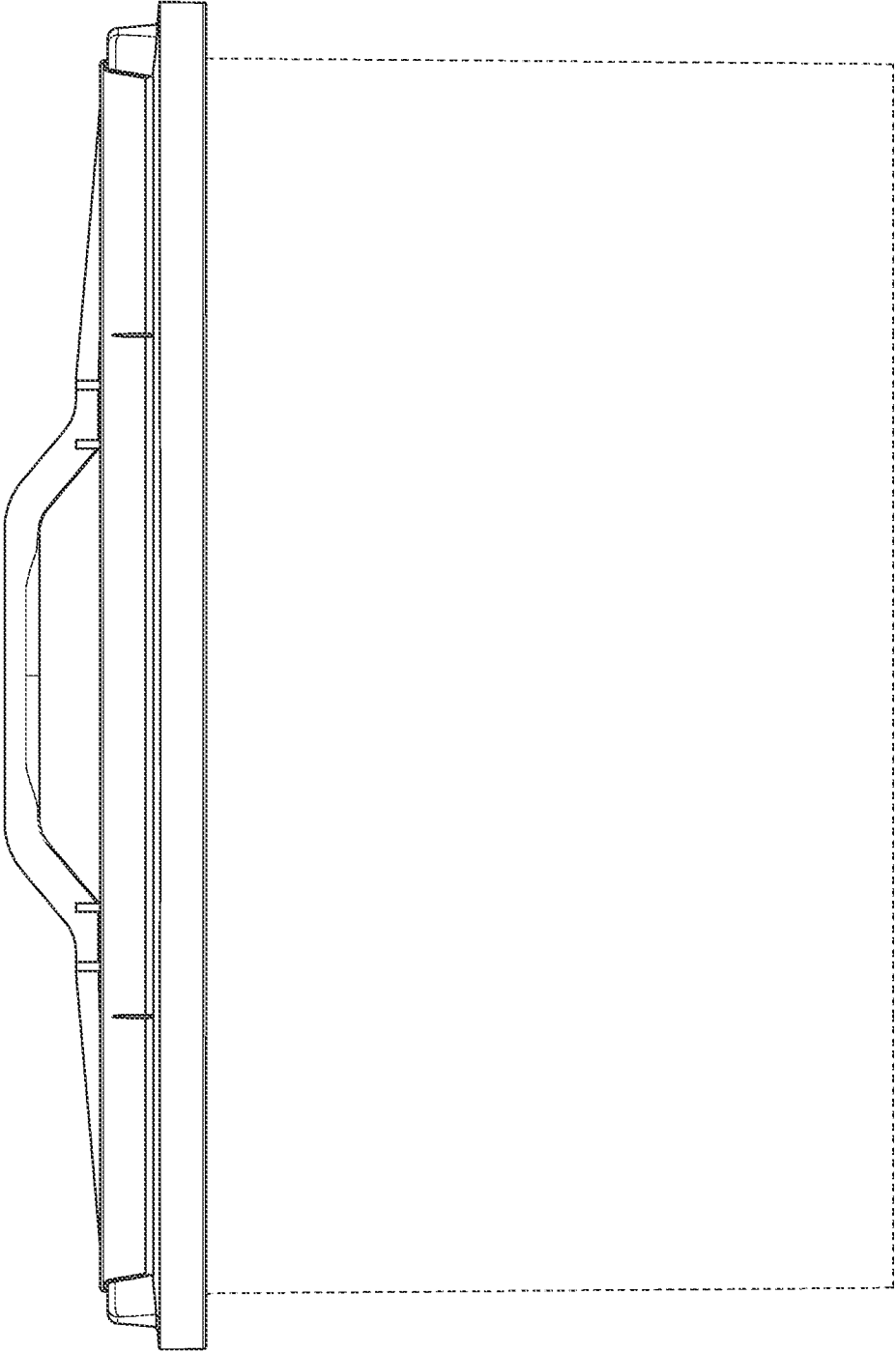


FIG. 4

FIG. 5

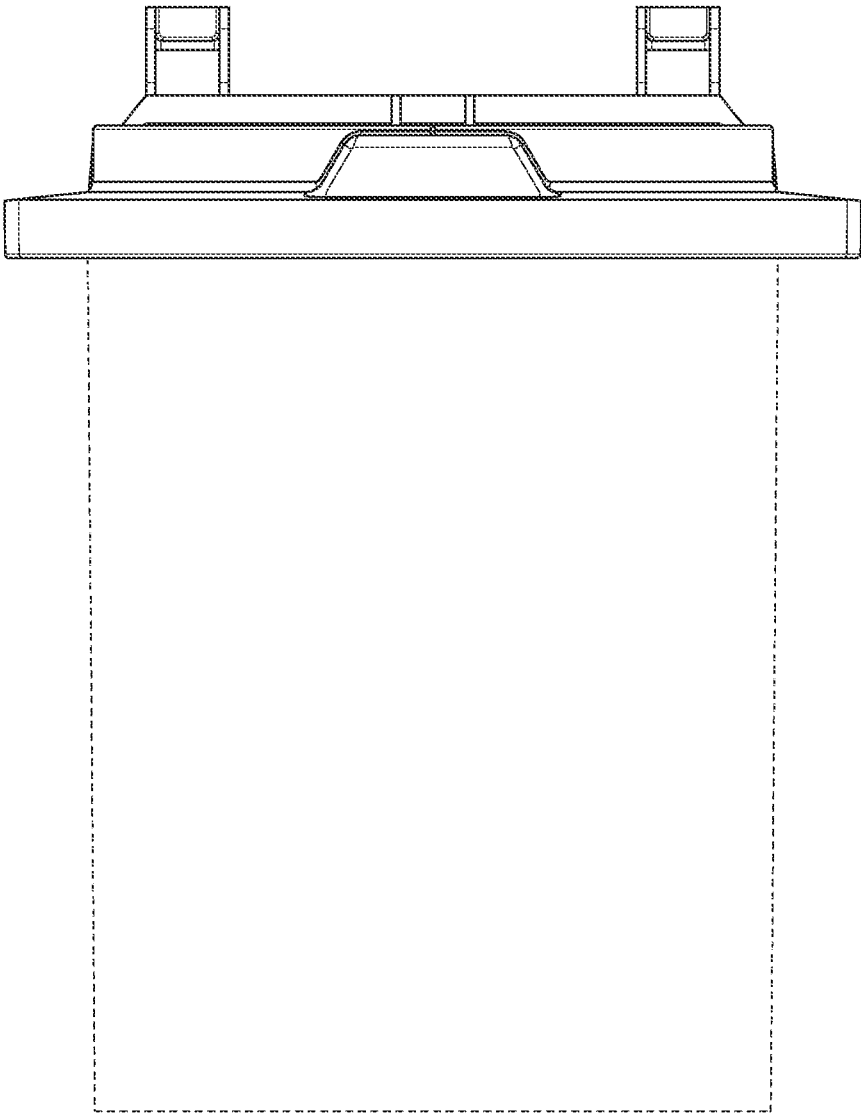
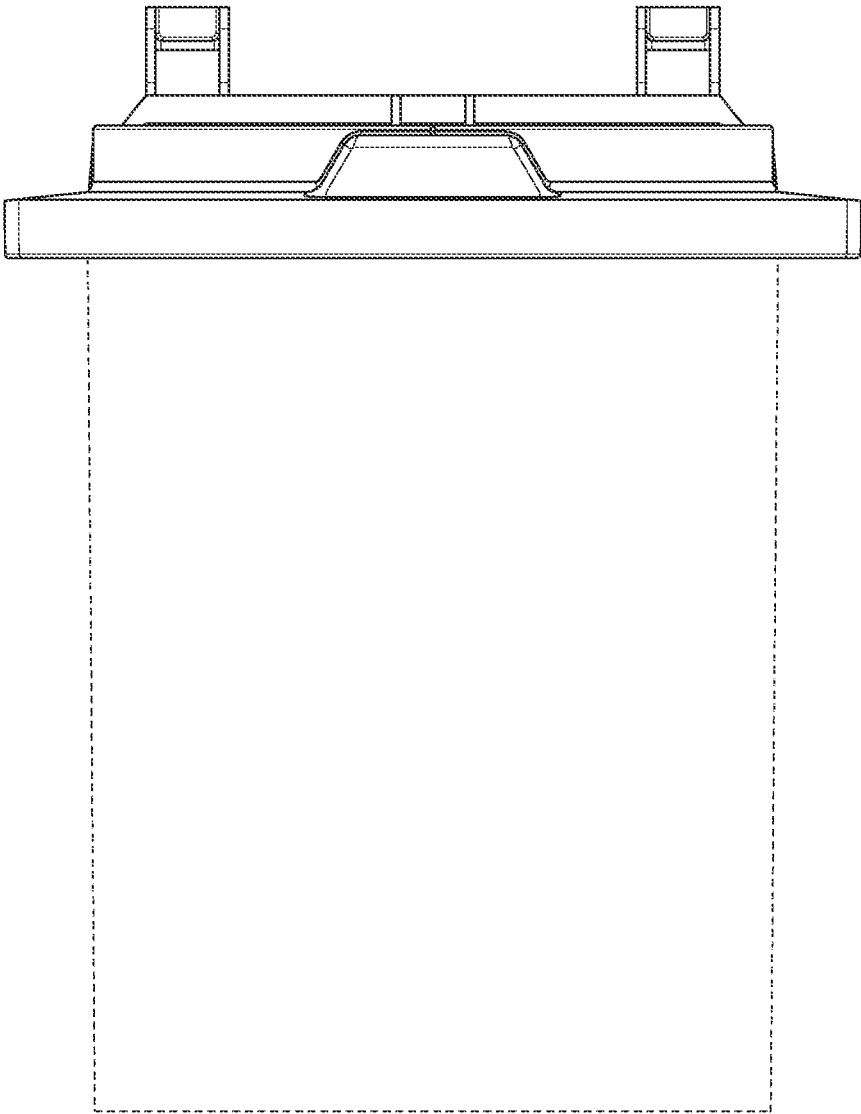


FIG. 6



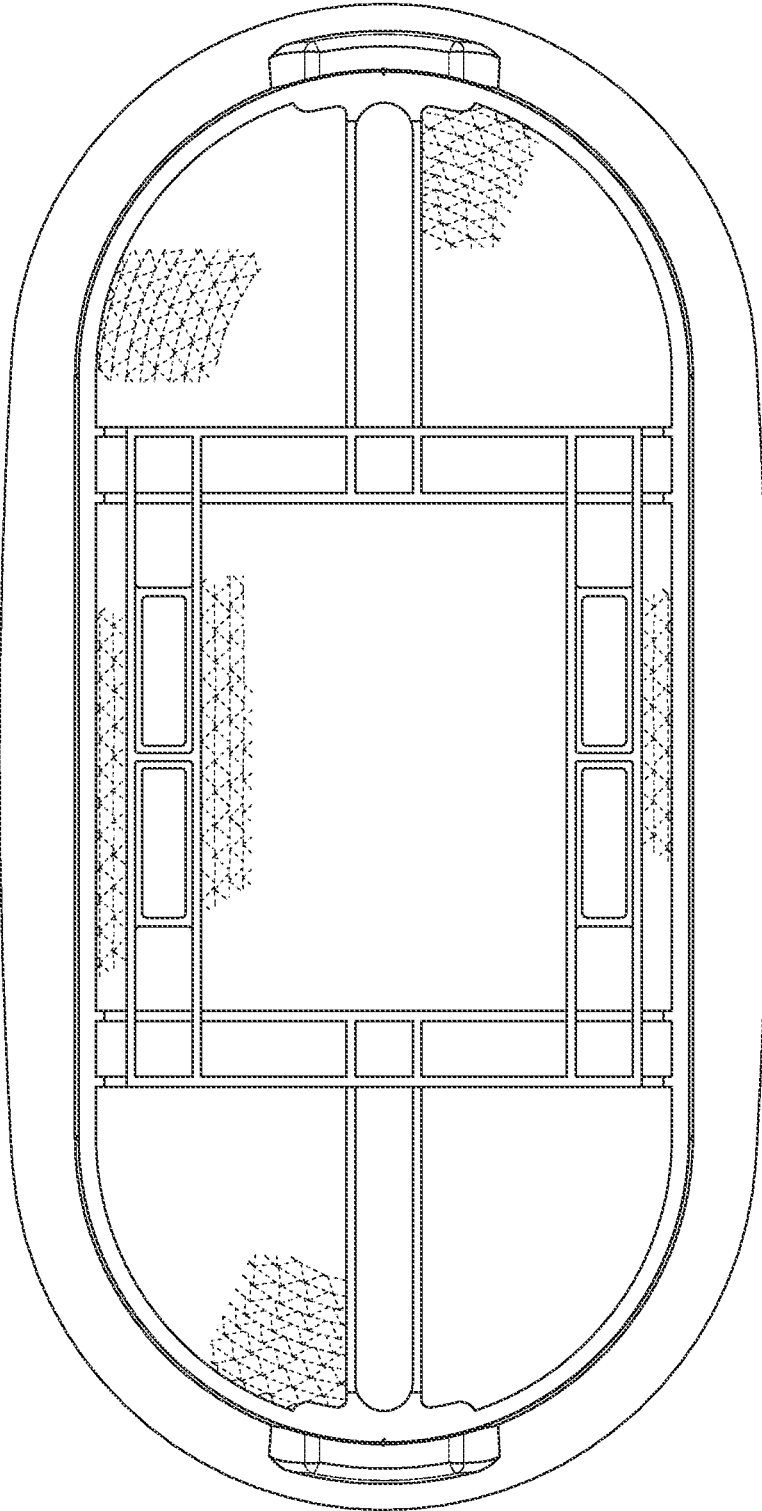


FIG. 7

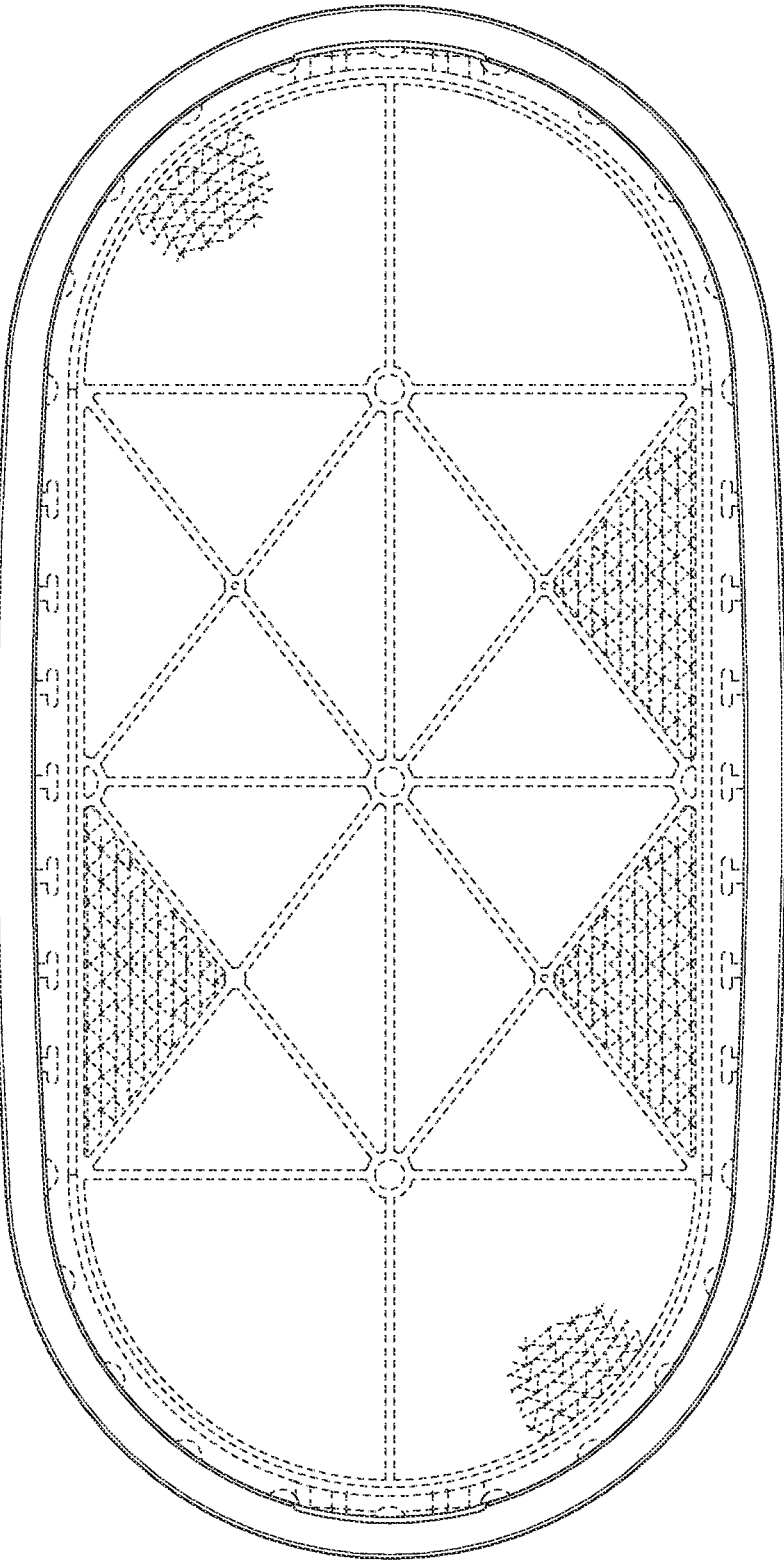


FIG. 8