

(12) **United States Design Patent** (10) **Patent No.:** **US D802,471 S**
Moore (45) **Date of Patent:** **** Nov. 14, 2017**

(54) **UPSIDE DOWN HOLIDAY STOCKING**
 (71) Applicant: **James Lee Moore**, Arlington, MA (US)
 (72) Inventor: **James Lee Moore**, Arlington, MA (US)
 (**) Term: **15 Years**
 (21) Appl. No.: **29/584,599**
 (22) Filed: **Nov. 16, 2016**
 (51) **LOC (10) CI.** **11-05**
 (52) **U.S. CI.**
 USPC **D11/126**
 (58) **Field of Classification Search**
 USPC D11/117, 121, 126, 130, 131, 132
 CPC A47G 33/00; A47G 33/08; B44C 5/00;
 B44C 5/04; B44C 7/00; A41B 11/00;
 A41B 11/001
 See application file for complete search history.

6,662,377 B2 * 12/2003 Williams A41B 11/005
 156/212
 D498,429 S * 11/2004 Sotomura D11/126
 D498,702 S * 11/2004 Hale D11/126
 D573,059 S * 7/2008 LaSpada D11/121
 D581,313 S * 11/2008 Requate D11/125
 D603,292 S * 11/2009 D'Agosta D11/126
 D616,931 S * 6/2010 Staller D19/4
 D636,544 S * 4/2011 Spurgeon D11/126
 D727,672 S * 4/2015 Price D11/126
 D739,765 S * 9/2015 Bryant D11/126

* cited by examiner

Primary Examiner — Elizabeth J Oswecki
 (74) *Attorney, Agent, or Firm* — Dunlap Bennett & Ludwig PLLC

(57) **CLAIM**

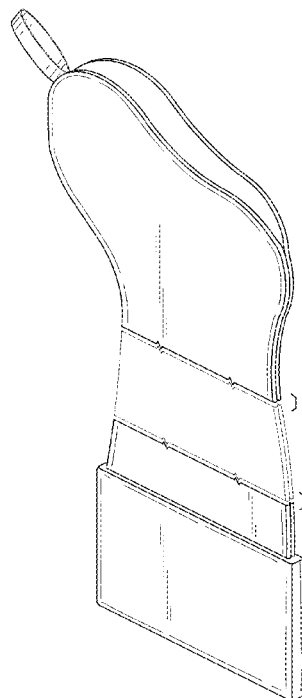
The ornamental design for an upside-down holiday stocking, as shown and described.

DESCRIPTION

FIG. 1 is a front perspective view of an upside-down holiday stocking showing my new design;
 FIG. 2 is a front elevation view thereof;
 FIG. 3 is a rear elevation view thereof;
 FIG. 4 is a left side elevation view thereof;
 FIG. 5 is a right side elevation view thereof;
 FIG. 6 is a top plan view thereof; and,
 FIG. 7 is a bottom plan view thereof.
 The upside-down holiday stocking is shown broken away in FIGS. 1-7 to indicate that no particular length is claimed. The broken line portion of the upside-down holiday stocking forms no part of the claimed design.

1 Claim, 5 Drawing Sheets

(56) **References Cited**
 U.S. PATENT DOCUMENTS
 D122,183 S * 8/1940 Kingson D11/126
 D126,831 S * 4/1941 Francis D11/126
 D159,218 S * 7/1950 Margolin D11/126
 D194,002 S * 11/1962 Pines D11/126
 4,132,309 A * 1/1979 Shaylor B65D 85/18
 206/278
 D315,636 S * 3/1991 Grande D11/126
 D316,232 S * 4/1991 D'Agosta D11/126
 D381,927 S * 8/1997 Riggall D11/126
 5,832,539 A * 11/1998 Williams A41B 11/005
 12/142 G
 D411,135 S * 6/1999 Jackson D11/117
 D432,451 S * 10/2000 Turgeon D11/126



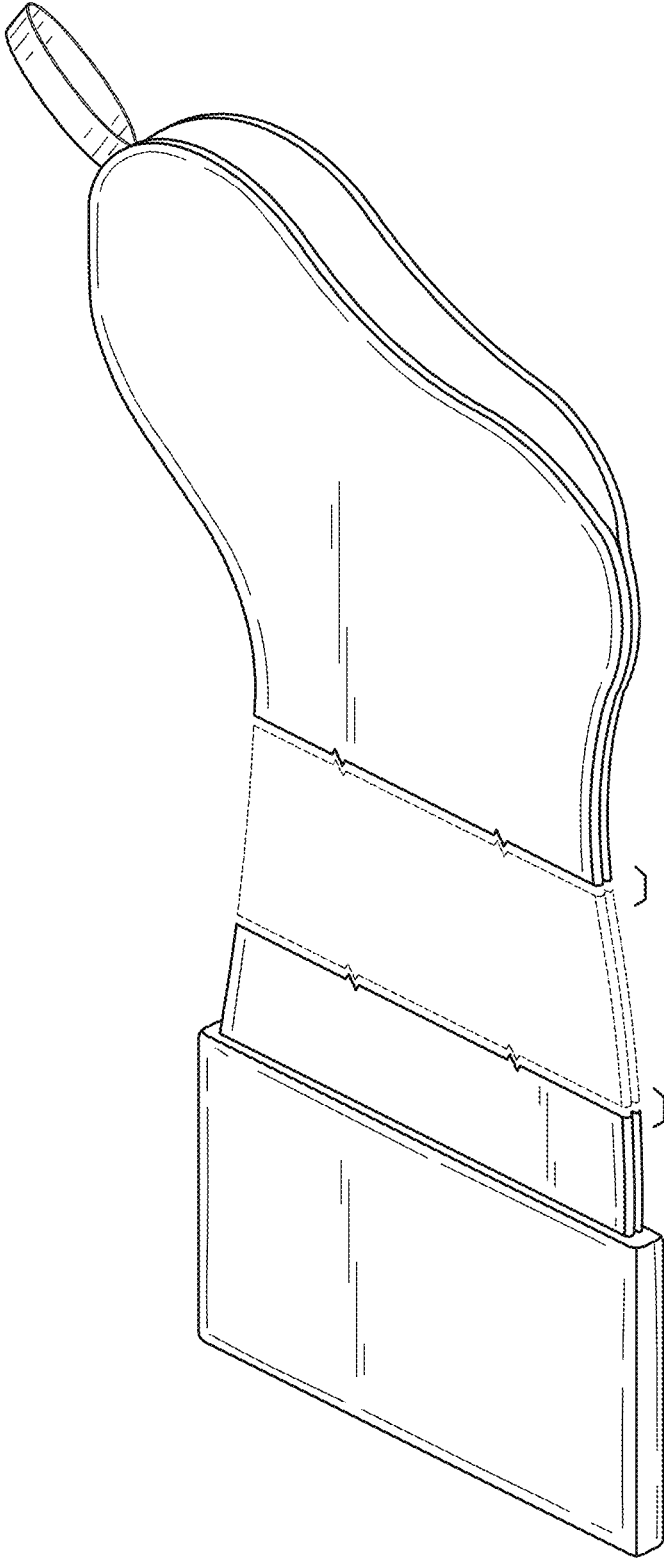


FIG. 1

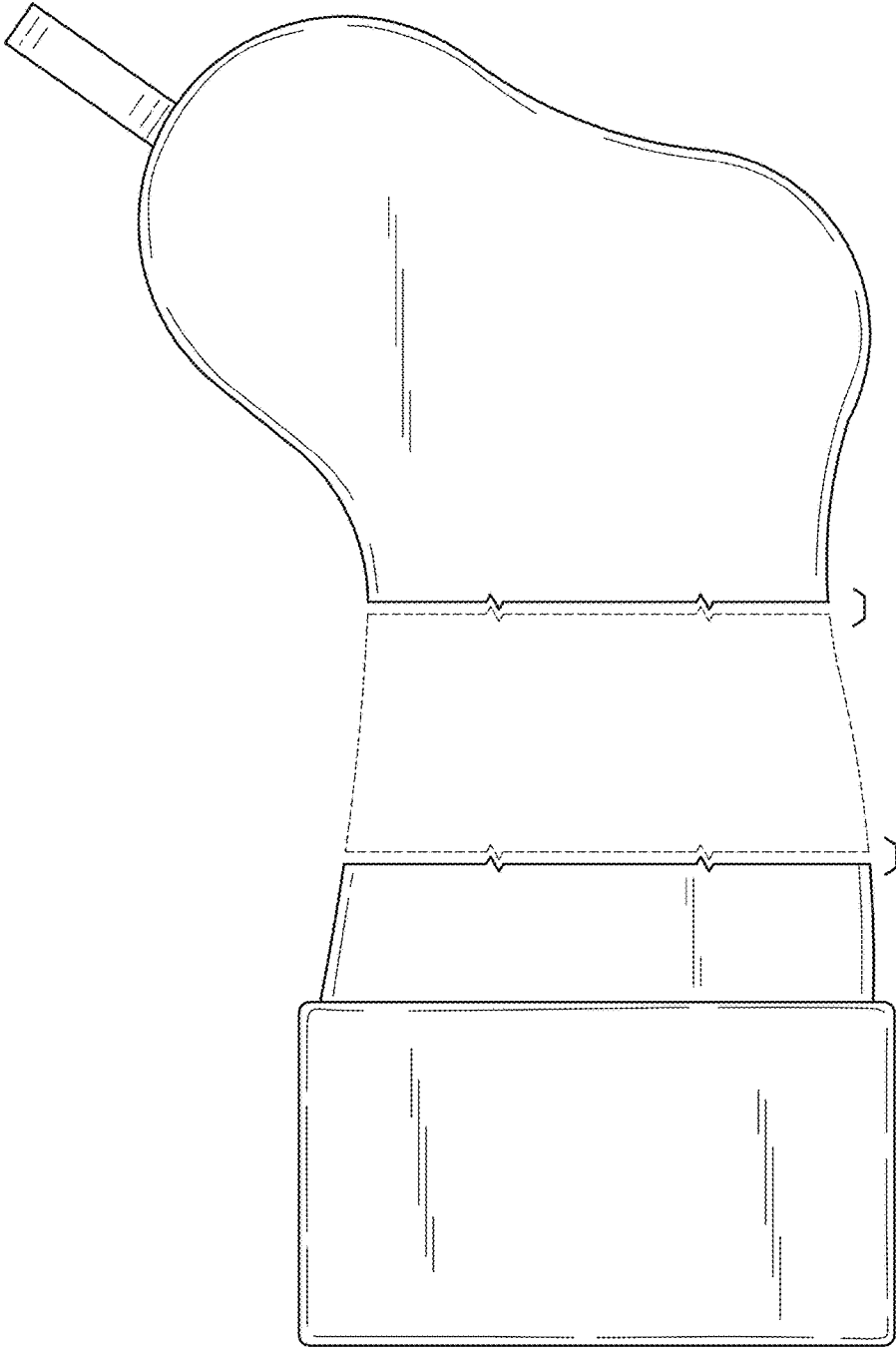


FIG. 2

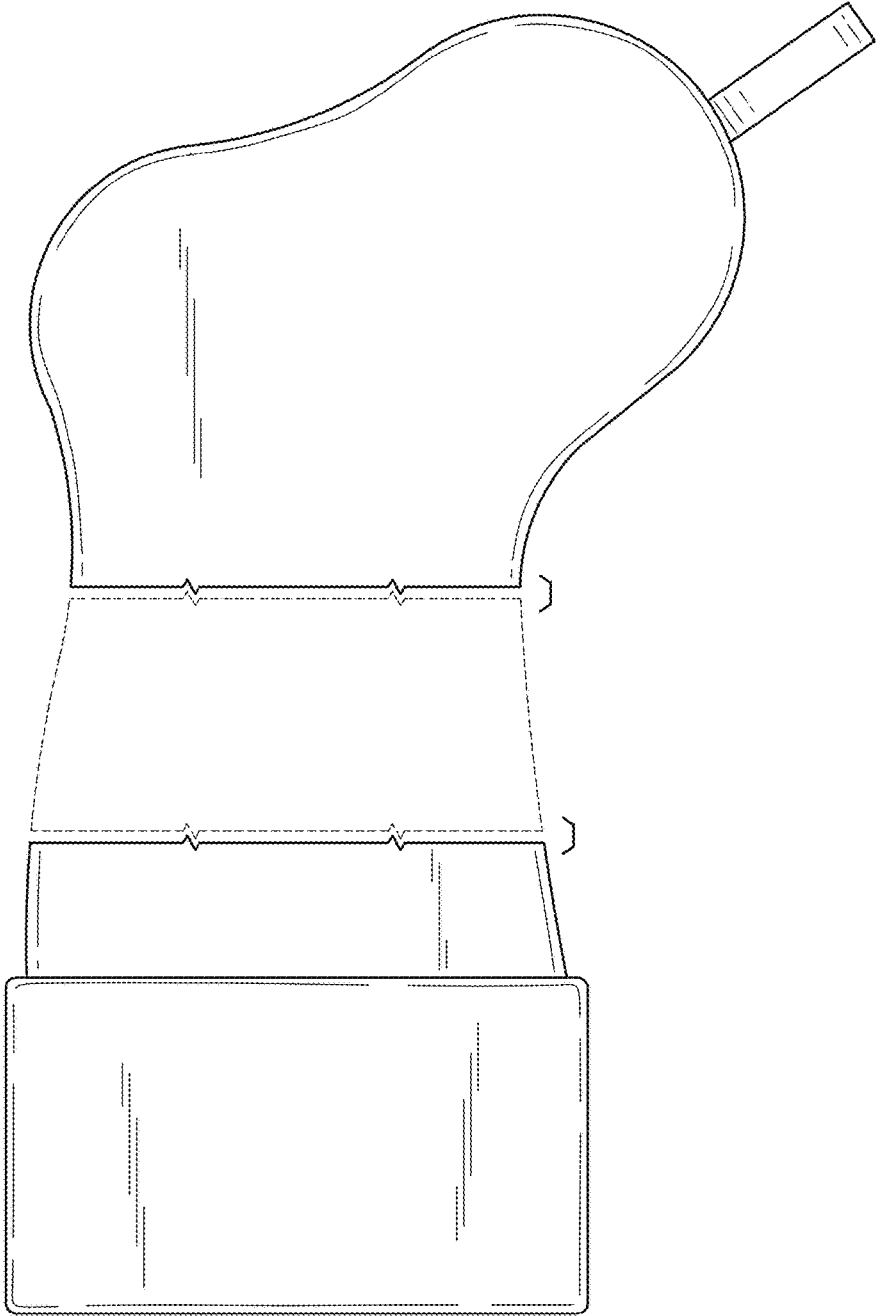


FIG. 3

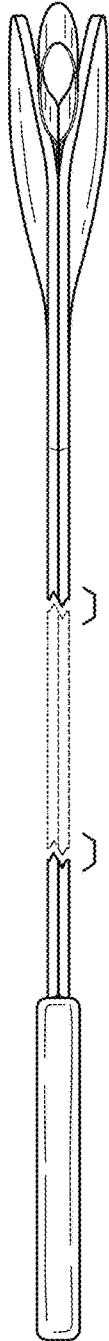


FIG. 4

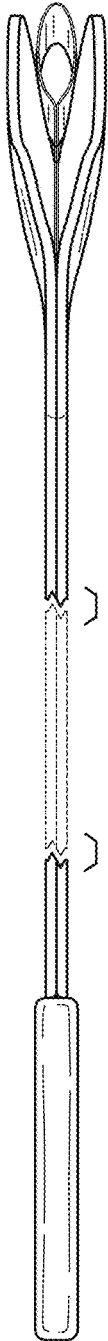


FIG. 5

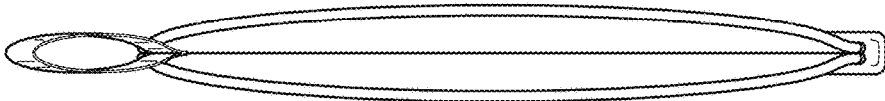


FIG. 6

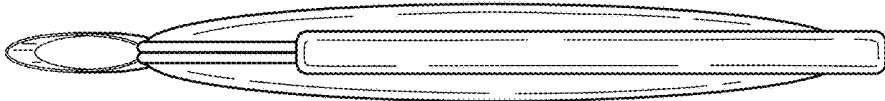


FIG. 7