



US00D714629S

(12) **United States Design Patent**
Irgens

(10) **Patent No.:** **US D714,629 S**

(45) **Date of Patent:** **** Oct. 7, 2014**

- (54) **HOT BOLTING CLAMP**
- (71) Applicant: **Irgens Engineering AS, Nesoya (NO)**
- (72) Inventor: **Per-Christian Irgens, Nesoya (NO)**
- (73) Assignee: **Irgens Engineering AS, Nesoya (NO)**
- (**) Term: **14 Years**
- (21) Appl. No.: **29/444,993**

D309,094	S	*	7/1990	Donis et al.	D8/354
5,776,519	A	*	7/1998	Flammer	425/188
D514,669	S	*	2/2006	Copeland et al.	D23/262
D570,206	S	*	6/2008	Jackson	D8/396
D607,549	S	*	1/2010	Shah et al.	D23/262
7,828,338	B2	*	11/2010	Kertesz et al.	285/365
8,608,145	B1	*	12/2013	Ripple, Jr.	269/287
2010/0244443	A1	*	9/2010	Irgens	285/406
2013/0221666	A1	*	8/2013	Stephen	285/410
2014/0064834	A1	*	3/2014	Jeggle	403/293
2014/0097611	A1	*	4/2014	Webb et al.	285/13
2014/0162795	A1	*	6/2014	Hewitt et al.	464/88

* cited by examiner

- (22) Filed: **Feb. 6, 2013**
- (51) **LOC (10) Cl.** **08-08**
- (52) **U.S. Cl.**
USPC **D8/394; D8/396**
- (58) **Field of Classification Search**
USPC D8/354, 356, 371, 394-396; D19/65,
D19/86; D24/128; 248/74.2, 215, 227.1, 49,
248/300, 301, 316.7, 51, 489; 24/570, 3.12;
D32/61; D11/78.1
See application file for complete search history.

Primary Examiner — John Windmuller

(74) *Attorney, Agent, or Firm* — Thomas Schneck

(57) **CLAIM**

The ornamental design for a hot bolting clamp, as shown.

DESCRIPTION

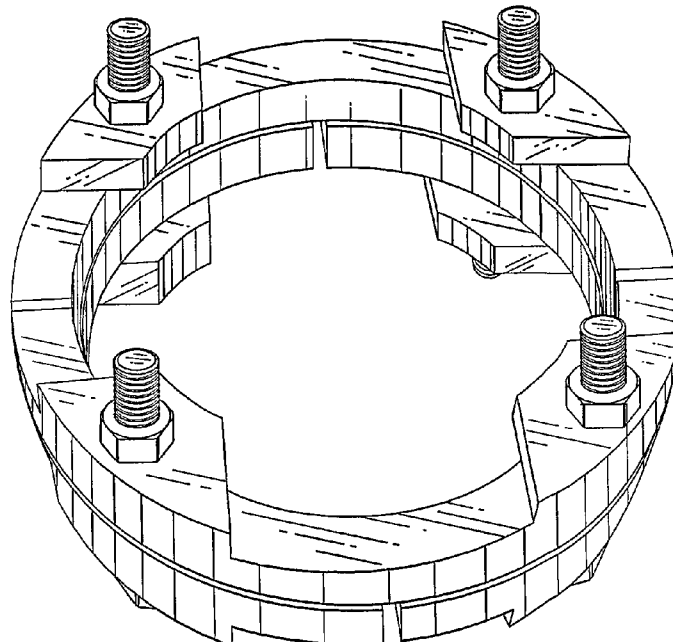
FIG. 1 is a top perspective view of a hot bolting clamp of my design;
 FIG. 2 is a bottom perspective view thereof;
 FIG. 3 is a right side elevational view thereof;
 FIG. 4 is a left side elevational view thereof;
 FIG. 5 is a front elevational view thereof;
 FIG. 6 is a back elevational view thereof;
 FIG. 7 is a top view thereof; and,
 FIG. 8 is a bottom view thereof.

1 Claim, 4 Drawing Sheets

(56) **References Cited**

U.S. PATENT DOCUMENTS

3,013,821	A	*	12/1961	Bogan	285/407
D208,388	S	*	8/1967	Graham	D23/265
3,333,872	A	*	8/1967	Crawford, Sr. et al.	285/374
3,726,549	A	*	4/1973	Bradley, Jr.	285/356
4,647,083	A	*	3/1987	Hashimoto	285/321
D294,384	S	*	2/1988	Endo et al.	D23/265
D307,541	S	*	5/1990	Tres	D8/396



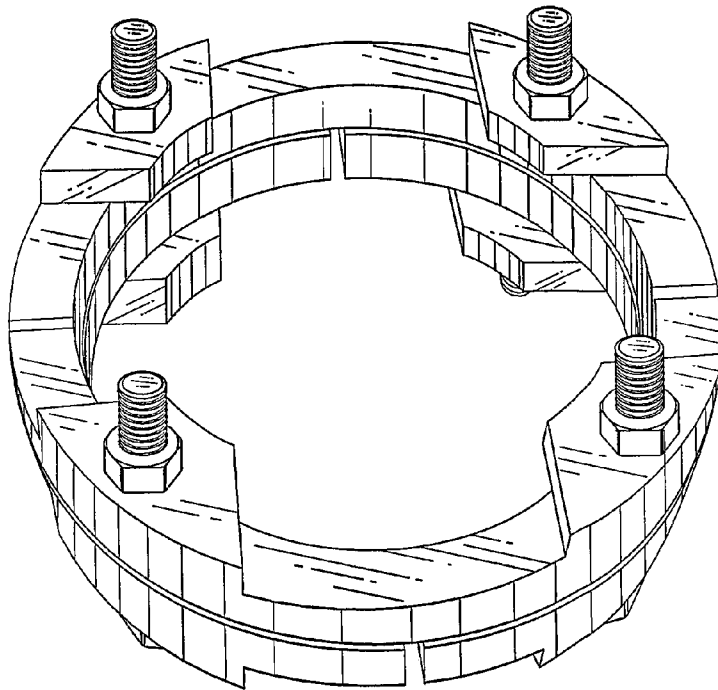


Fig. 1

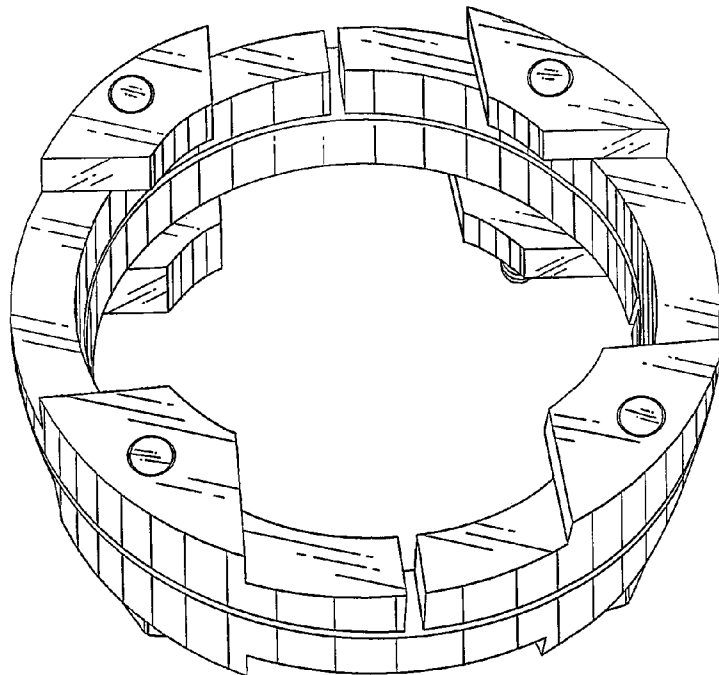


Fig. 2

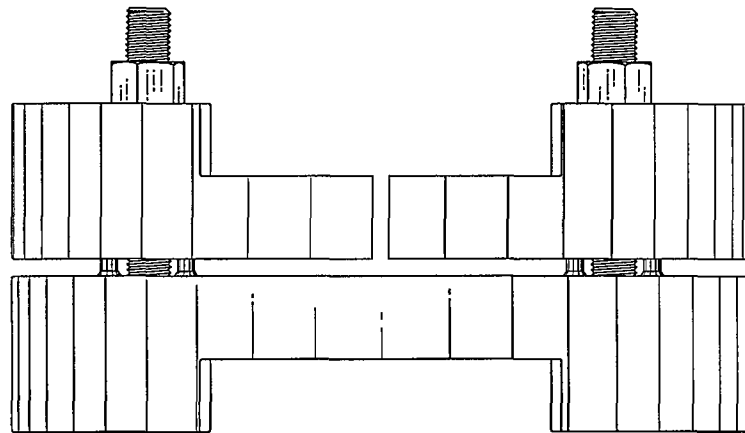


Fig. 3

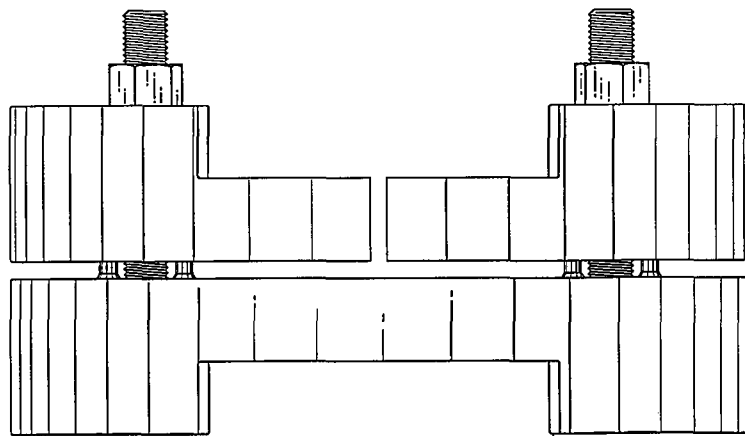


Fig. 4

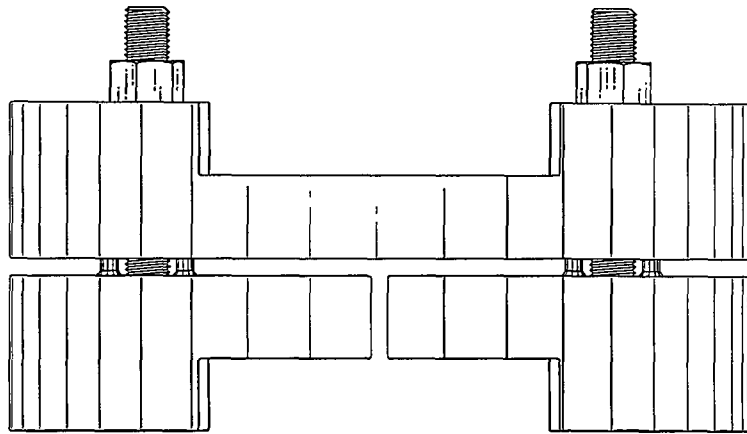


Fig. 5

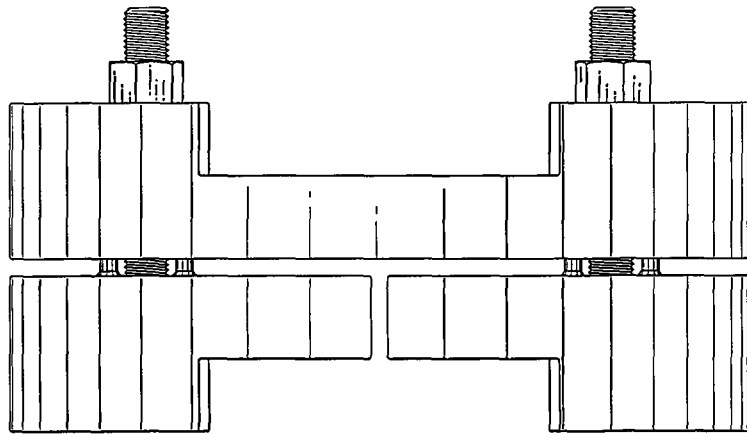


Fig. 6

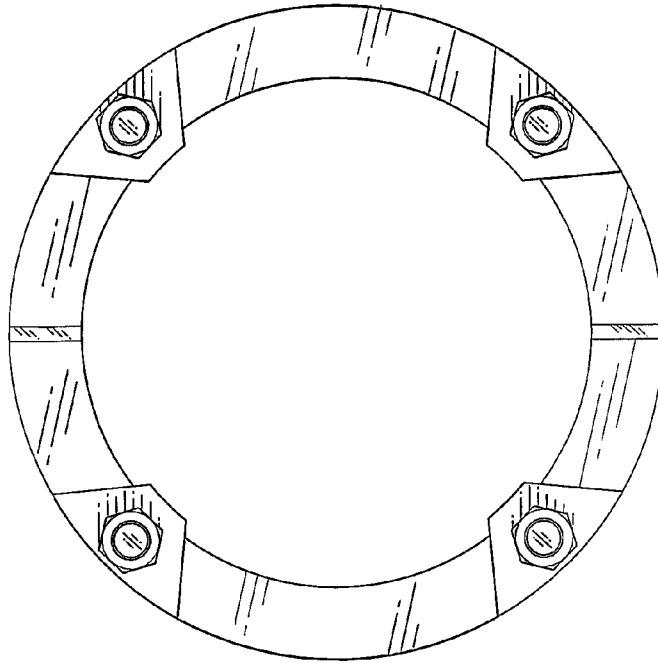


Fig. 7

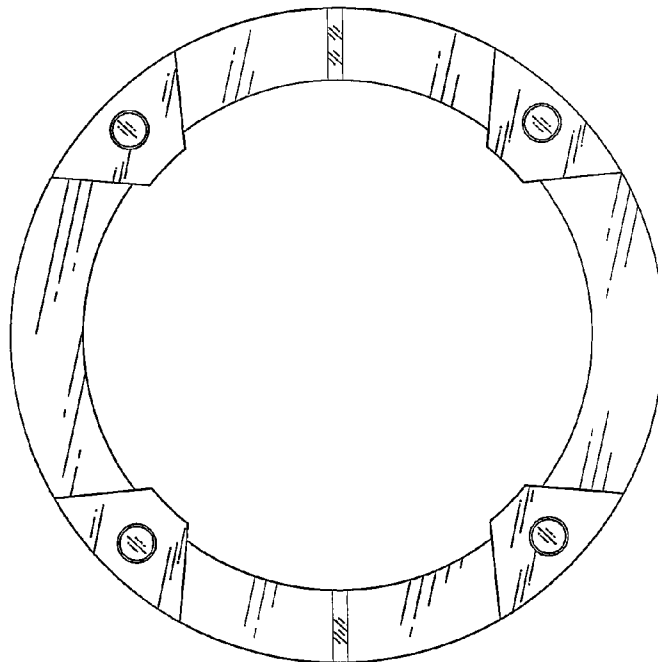


Fig. 8